

· WE ARE ·  
**MANUFACTURERS**  
CERTIFIED



# STAINLESS STEEL ELECTRICAL ENCLOSURES

**5**  
YEARS

MECHANICAL PARTS  
GUARANTEE

**10**  
YEARS

STAINLESS  
ANTICORROSIVE  
GUARANTEE



WALL MOUNTED ENCLOSURES - LUXOR SERIES IP66	4
FREE-STANDING ENCLOSURE - TRIBECA SERIES IP66	9
MODULAR ENCLOSURE - TITAN SERIES IP66	13
PUSH-BUTTON AND JUNCTION BOX - GEO SERIES IP66	16
PANORAMIC WALL MOUNTED - LUXOR TEDEO SERIES IP66	21
DISMONTABLE CONSOLE - ATRIUM SERIES IP66	24
WALL MOUNTED ENCLOSURE - LUXOR SERIES IP67	27
JUNCTION BOX - GEO SERIES IP67	30
ELECTRICAL ENCLOSURE - LUXOR SERIES IP68	33
TERMINAL BOXES - GEO SERIES IP68	36
NEMA ENCLOSURES WITH DISCONNECT SWITCHES	39
COMPUTERS PC WORKSTATION HMI'S IP65	43
PC COMPACT ENCLOSURE IP65	45
STAINLESS STEEL CONSOLES - RIVIERA SERIES IP66	46
REINFORCED ELECTRICAL ENCLOSURE IP66	49
SEISMIC REINFORCED ELECTRICAL ENCLOSURE IP66	53
ENCLOSURES FOR PNEUMATIC CONTROL IP66	57
CONTROL BOX AND ROTATING ARM - COBRA SERIES IP66	58
ANTI-DUST SYSTEM FOR ENCLOSURES - DUSTY SERIES	60
ELECTRICAL ENCLOSURES - SUNBOX LUXOR SERIES IP66	62
STAINLESS STEEL RACK CABINET SPLIT BODY IP55	64
STAINLESS STEEL FIRE EXTINGUISHER ENCLOSURE IP66	66
STAINLESS STEEL INSTRUMENT ENCLOSURE - RAMBO SERIES IP66	69
CHOOSING THE TYPE OF STAINLESS STEEL	72



Paso del Prao, 6. 01320 Oyón (Álava), Spain  
 Phone +34 945 601 381  
 comercial@delvalle.es | www.delvallebox.com



## WE PUT AT YOUR DISPOSAL

We offer over **50 years** providing solutions to demanding customers who require very specific characteristics and behaviour according to the sector and their needs.

## WHEREVER YOU GO

We are committed to working closely with our customers, providing them with **exceptional service** and offering an advanced and extensive range of products with very competitive prices.

## HIGH STANDARD OF QUALITY AND SERVICES

We only use materials provided by companies who offer the very **highest quality**, suitable and certified products. Our success is due to top quality assurance: ISO 9001, SGS, UL, TÜV, ISO 14000 and ISO45001.

## CUSTOMIZE TOTALLY YOUR ENCLOSURE

Our production systems can give custom-made solutions **on demand**. Every colour from RAL chart is available to be personalized. A variety of protection standards thanks to our own painting facilities.



**100%**  
*Entirely designed  
and manufactured  
in Europe*

## CONTACT US

Confidentiality, reliability & quality

[www.delvallebox.com](http://www.delvallebox.com)

[comercial@delvalle.es](mailto:comercial@delvalle.es)

+34 945 601 381

ALSO ONLINE



## Please contact our technical sales department

A team of professionals with high experience and ability to solve all your queries



# STAINLESS STEEL WALL MOUNTED ENCLOSURES

## LUXOR SERIES IP66



Example

### Maximum Working Width for your Assemblies

Electrical enclosures Luxor Series with improved design and materials used of locks, easy to open, smoothly turning and opening, flexibility, maximum opening of the doors (up to 120 °), maximum working width for your assemblies, easily removable, unique performance with cutting-edge polished surface finish.

All tests necessary to ensure safety in their electrical installations. Furthermore, each component has exceeded several tests under extreme conditions guaranteeing a long life in electrical assembly.



[FOR MORE INFORMATION CLICK HERE](#)



## STAINLESS STEEL WALL MOUNTED ENCLOSURES LUXOR SERIES IP66



Available opening with 3-locking point handle



### APPLICATIONS

- Specially designed for automatic meter positioning, machine controls, and offering, where necessary, a smart look, high quality and durability.
- Electrical control panel approved for food, chemical and pharmaceutical industries, processing plants, telecommunication centers and outdoor use because of its high durability and chemical product resistance.

### ADVANTAGES

- Supplied protective film wrapped to prevent scratches and abrasions during handling.
- The manufacture of the stainless steel monobloc gives 100% sealing and maximum resistance.
- With flushing channel that avoids any contact with liquids, polyurethane joints and hidden hinges.
- The standard control panel comes with stainless steel double-bit locking handles.
- Delvalle supplies any measurements required including custom built holes and cut outs both for the door and enclosure.
- Up to IP67 or IP69K.

### OPTIONS

- Custom made based on your needs.
- IP67 according IEC EN 62208 and EN 60529.
- Up to IP69K -DIN 40050-9.
- Option painted galvanized steel finish in RAL 7035 or another color.
- Possibility of two doors (from 800x600).
- 170° hinge that allows maximum opening for easy access to the cabinet without removing the door.
- Plinths at base.
- Metal legs.
- Wall support (not included in the standard model).
- Transparent polycarbonate door or transparent safety glass door (no IP69K).
- Manufactured in stainless steel AISI 316L EN 14404.
- Mounting plate insulation (bakelite) or stainless steel.
- EMC version according to 2014/30/UE of electromagnetic compatibility.
- Available opening with 3-locking point handle.

## STAINLESS STEEL WALL MOUNTED ENCLOSURES LUXOR SERIES IP66

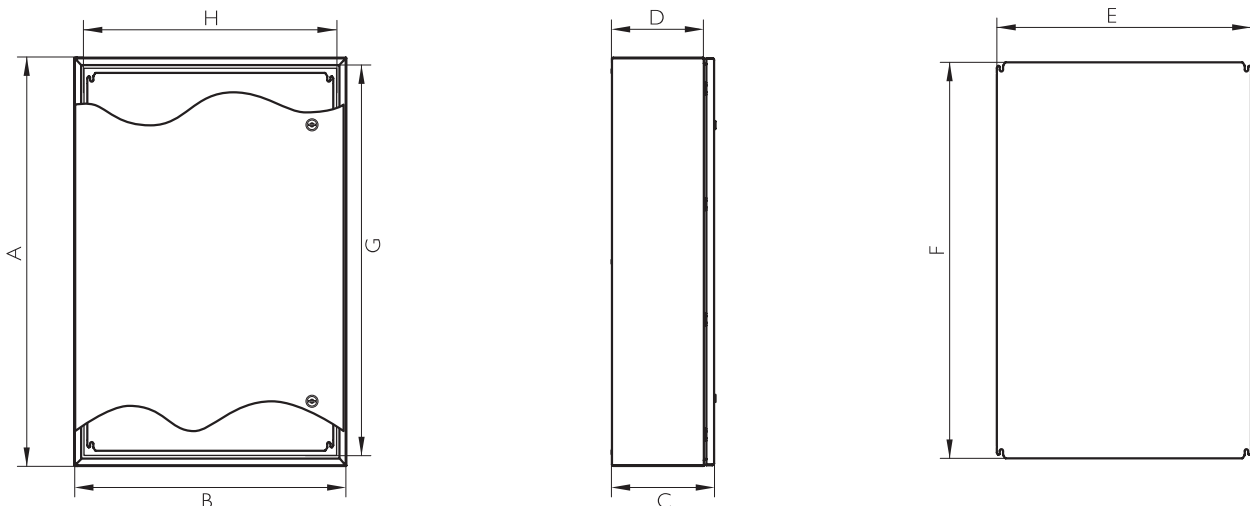


### NORMS

- IP66 (W) (IP55 double door without mounting, IP66 with central welded bar mounting) Norm IEC EN 62208 and EN 60529.
- DIN EN ISO 14159 Machine safety – hygiene requirements pertaining to the design of machinery.
- Machinery Directive 2006/42/EC. Food machinery and cosmetic or pharmaceutical production.
- EHEDG Guideline Hygienic Design doc.13 machinery for open processes.
- DIN EN 1672-2-2005 for food industry machinery.
- Maximum IK10 resistance Norm IEC 62208 and IEC 62262.
- Maximum voltage 1000 V.
- Manufactured following EU low voltage ruling 2014/35/UE.
- Materials intended to come into contact with food EC 1935/2004.
- RoHs compliant.
- UL approval Nema 4x, 12, 3r y l (by request). N° File E342220.

### PLAN

➔ [CLICK HERE TO DOWNLOAD THE FILES CAD - PLANS - CERTIFICATES](#)



# STAINLESS STEEL WALL MOUNTED ENCLOSURES LUXOR SERIES IP66

## REFERENCES 1 DOOR

REFERENCES			DIMENSIONS (mm)									
BLIND DOOR	POLYCARBONATE DOOR (no IP69K)	POLYCARBONATE DOOR + INSIDE DOOR (no IP69K)	HEIGHT -A-	WIDTH -B-	DEPTH -C-	ACCESS -GxH-	INSIDE DEPTH -D-	MACHINABLE AREA		PLATE MEASUREMENT -FxE-	WEIGHT (Kg)	VOLUME (m <sup>3</sup> )
								DOOR	SIDE			
MVAB302015	MVAB302015T	MVAB302015TC	300	200	155	260x153	125	220x76	270x125	264x147	4,65	0,01
MVAB383015	MVAB383015T	MVAB383015TC	380	300	155	340x253	125	300x176	350x125	344x247	7,68	0,02
MVAB383021	MVAB383021T	MVAB383021TC	380	300	210	340x253	180	300x176	350x180	344x247	8,57	0,03
MVAB404021	MVAB404021T	MVAB404021TC	400	400	210	360x353	180	320x276	370x180	364x347	11,12	0,04
MVAB504021	MVAB504021T	MVAB504021TC	500	400	210	460x353	180	420x276	470x180	464x347	13,51	0,05
MVAB505021	MVAB505021T	MVAB505021TC	500	500	210	460x453	180	420x376	470x180	464x447	16,2	0,06
MVAB705021	MVAB705021T	MVAB705021TC	700	500	210	660x453	180	620x376	670x180	664x447	21,55	0,08
MVAB604021	MVAB604021T	MVAB604021TC	600	400	210	560x353	180	520x276	570x180	564x347	15,74	0,06
MVAB605021	MVAB605021T	MVAB605021TC	600	500	210	560x453	180	520x376	570x180	564x447	18,88	0,07
MVAB606021	MVAB606021T	MVAB606021TC	600	600	210	560x553	180	520x476	570x180	564x547	22	0,08
MVAB806030	MVAB806030T	MVAB806030TC	800	600	300	760x553	270	720x476	770x270	764x547	31,35	0,16
MVAB808030	MVAB808030T	MVAB808030TC	800	800	300	760x753	270	720x676	770x270	764x747	41,5	0,21
MVAB108030	MVAB108030T	MVAB108030TC	1000	800	300	960x753	270	920x676	970x270	964x747	50,69	0,26
MVAB128030	MVAB128030T	MVAB128030TC	1200	800	300	1160x753	270	1120x676	1170x270	1164x747	59,47	0,31
MVAB101030	MVAB101030T	MVAB101030TC	1000	1000	300	960x953	270	920x876	970x270	964x947	61,17	0,32
*MVAC121030	MVAC121030T	MVAC121030TC	1200	1000	300	1090x890	275	1000x790	1170x265	1070x870	78,82	0,46
*MVAC101230	MVAC101230T	MVAC101230TC	1000	1200	300	890x1090	275	800x990	970x265	870x1070	78,76	0,39
*MVAC121230	MVAC121230T	MVAC121230TC	1200	1200	300	1000x1000	275	1000x990	1170x265	1070x1070	92,09	0,39
Version UL approval Nema 4x, I2, 3r and I			Add "UL" to the reference Ex."MVAB302015UL"									
Version IP67			Add "67" to the reference Ex."MVAB30201567"									
Version IP69K			Add "69" to the reference Ex."MVAB302015/69"									

\* Tribeca design

Separation depth plate 20 mm



## REFERENCES 2 DOORS

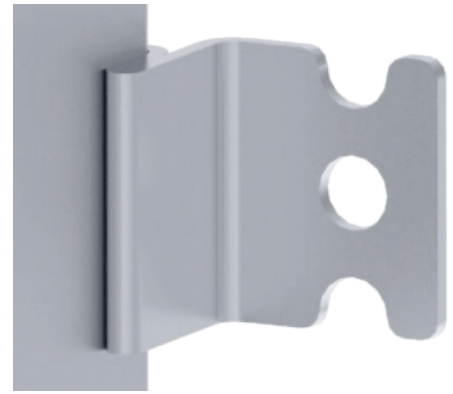
REFERENCES		DIMENSIONS (mm)									
2 BLINDS DOORS	HEIGHT -A-	WIDTH -B-	DEPTH -C-	ACCESS -GxH-	INSIDE DEPTH -D-	MACHINABLE AREA		PLATE MEASUREMENT -FxE-			
						DOOR	SIDE				
MVAB806030D	800	600	300	746x546	270	720x217.5 y 720x173.5	720x240	740x540			
MVAB808030D	800	800	300	746x746	270	720x317.5 y 720x273.5	720x240	740x740			
MVAB108030D	1000	800	300	946x746	270	920x317.5 y 920x273.5	970x240	940x745			
MVAB128030D	1200	800	300	1146x746	270	1120x317.5 y 1120x273.5	1170x240	1140x745			
MVAB101030D	1000	1000	300	946x946	270	920x417.5 y 920x373.5	970x240	940x940			
MVAB121030D	1200	1000	300	1146x946	270	1120x617.5 y 1120x573.5	1170x240	1140x945			
MVAB121230D	1200	1200	300	1146x1146	270	1120x717.5 y 1120x673.5	1170x240	1140x1140			
Option: Polycarbonate door (no IP69K)		Add "T" to the reference. Ex."MVAB806030DT"									
Option: Polycarbonate door + Inside door (no IP69K)		Add "TC" to the reference. Ex."MVAB806030DTC"									
Version UL approval Nema 4x, I2, 3r and I		Add "UL" to the reference. Ex."MVAB806030DUL"									
Version IP67		Add "67" to the reference Ex."MVAB30201567"									
Version IP69K		Add "69" to the reference Ex."MVAB302015/69"									

Separation depth plate 20 mm

## WALL MOUNTING BRACKETS

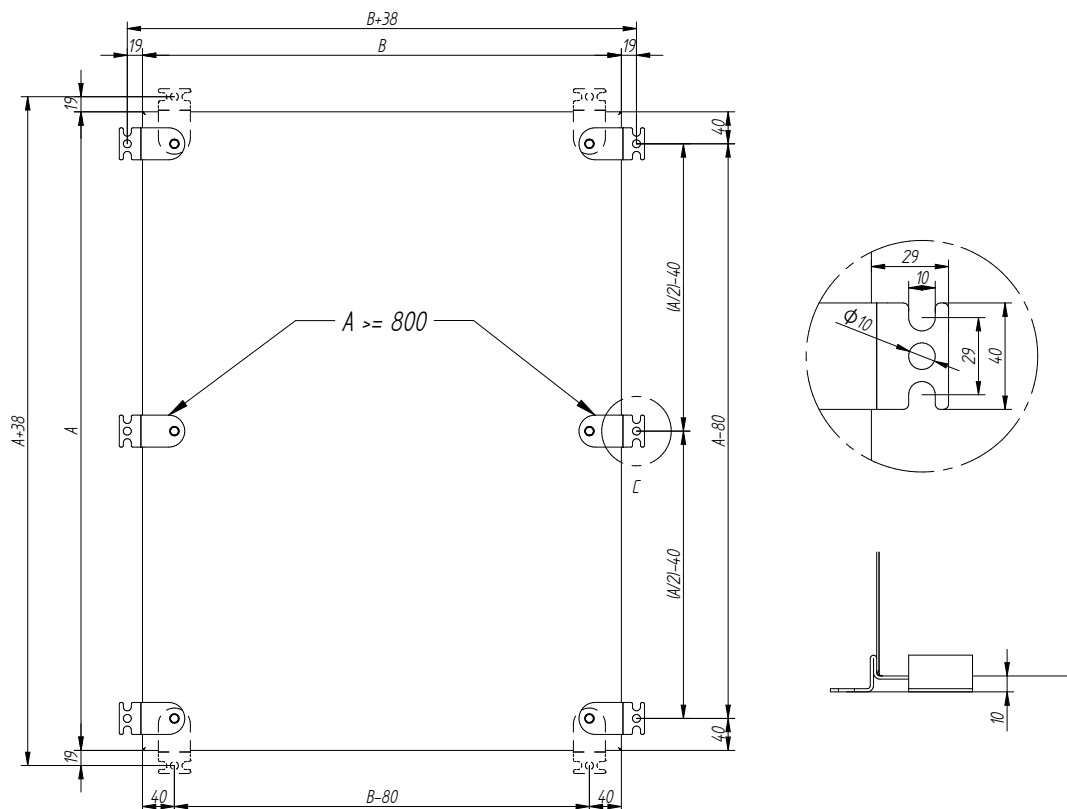
Wall brackets are connections that are attached to the enclosures to achieve either a vertical or horizontal position.

The form of the joint can vary according to the project requirements. The size and material of the bracket will depend on the characteristics of the enclosure being designed.



BRACKETS REFERENCE		
REFERENCE	MATERIAL	CONNECTION
MVSM01	INOX 304L	Bolt / Insert
MVSM04	GALVA	Bolt / Insert
MVSM09	INOX 316L	Bolt / Insert
MVSM06	INOX 304L	Welded
MVSM07	GALVA	Welded
MVSM10	INOX 316L	Welded
MVSM03	INOX 304L	Welded (Pole)

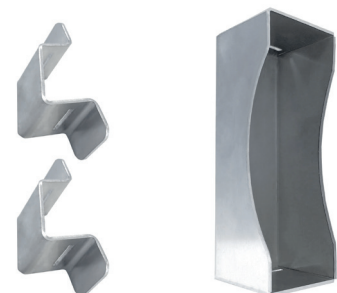
BRACKETS IN LUXOR		
A	4 BRACKETS	6 BRACKETS
<800	X	
=800		X
>800		X



## POLE MOUNT

Sometimes the placement of the cabinet is unusual and we need to adapt it to the environment or certain architectural features. Delvalle, therefore, offers the solution for post mounting, providing a perfect fixing of the enclosure.

REF: MVSM03





# STAINLESS STEEL FREE-STANDING ENCLOSURE

## TRIBECA SERIES IP66



Example

### Maximum Working Width for your Assemblies

Tribeca Series compact enclosures with improved design, robust, easy opening by rotating handle and four point lock, easy placement on the floor, flexible, maximum working width and a unique design in stainless steel AISI 304L. Available in one or two doors, 120° swivel, easily removable. We recommend cable entry hollow base.

➔ [FOR MORE INFORMATION CLICK HERE](#)



## STAINLESS STEEL FREE-STANDING ENCLOSURE **TRIBECA SERIES** IP66

### APPLICATIONS

- Specially designed for automatic positioning, machine control meters and where smartness, quality and durability are necessary.
- Electrical control panel approved for food, chemical, pharmaceutical processing centres, telecommunications and outdoor use because of its advantages of durability and chemical resistance.

### NORMATIVE

- To IP66 (IP55 two doors) Norm IEC 60529.
- DIN EN ISO 14159 Machine safety – hygiene requirements pertaining to the design of machinery.
- Machinery Directive 2006/42/EC. Food machinery and cosmetic or pharmaceutical production.
- EHEDG Guideline Hygienic Design doc.13 machinery for open processes.
- DIN EN 1672-2-2005 for food industry machinery.
- Maximum IK10 resistance Norm IEC 62262.
- Manufactured following EU low voltage ruling 2014/35/UE.
- Materials intended to come into contact with food EC 1935/2004.
- RoHs compliant.
- UL approval Nema 4x, 12, 3r, 1. N° File E342220.
- Maximum voltage 1000V.
- Temperature resistant: -40°C +100°C (short time +160°C).
- Option silicone gasket: from -60°C to +180°C (short time up to +350°C).

### FEATURES

- Supplied with protective film to prevent scratches and abrasions during handling.
- The manufacture of the stainless steel monobloc allows sealing and maximum resistance.
- A drainage channel prevents liquid contact with the polyurethane gasket and with concealed hinges.
- 100% Stainless Steel, from handle to opening system.
- Standard electrical panel with handle lock (four locking points) and concealed stainless steel hinges.
- Delvalle made to order in any size to suit your needs and all drilling holes, both for the door and the enclosure included.
- Distributed load 600 kg.

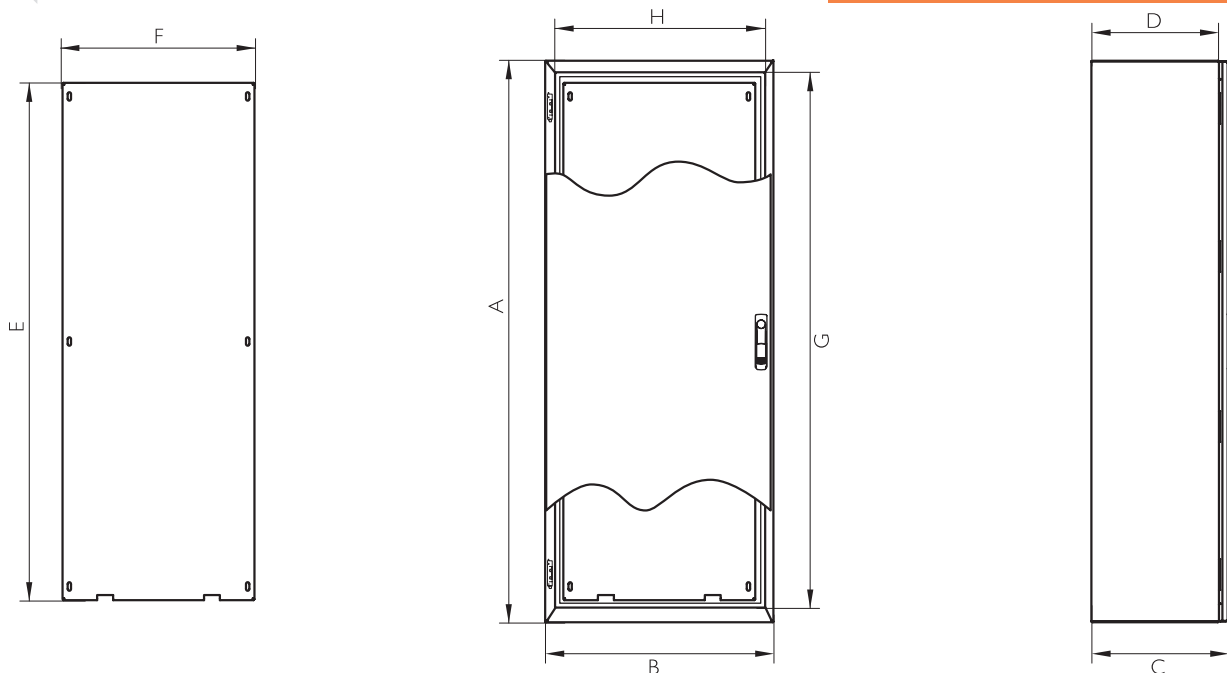
### OPTIONS

- Up to IP69K -DIN 40050-9.
- Option painted galvanized steel finish in RAL 7035 or another color.
- Custom made based on your needs.
- With a choice of two doors (from 1200 mm width).
- Plinths at base, castors.
- Metal legs.
- Clear polycarbonate door transparent safety glass door (no IP69K).
- Manufactured in stainless steel AISI 316L EN 14404.
- Mounting plate insulator (bakelite) or stainless steel.
- EMC version according to 2014/30/UE of electromagnetic compatibility.

# STAINLESS STEEL FREE-STANDING ENCLOSURE **TRIBECA SERIES** IP66

## PLAN

➔ [CLICK HERE TO DOWNLOAD THE FILES CAD - PLANS - CERTIFICATES](#)



**10**  
YEARS

STAINLESS  
ANTICORROSIVE  
GUARANTEE

**5**  
YEARS

MECHANICAL PARTS  
GUARANTEE

## REFERENCES | DOOR

REFERENCES		DIMENSIONS (mm)									
BLIND DOOR	POLYCARBONATE DOOR (no IP69K)	HEIGHT -A-	WIDTH -B-	DEPTH -C-	ACCESS -GxH-	INSIDE DEPTH -D-	MACHINABLE AREA		PLATE MEASUREMENT -ExF-	WEIGHT (Kg)	VOLUME (m <sup>3</sup> )
							DOOR	SIDE			
MVAC166040	MVACT166040	1650	600	400	1560x490	375	1524.8x474.8	1640x365	1540x490	70,9	0,42
MVAC168040	MVACT168040	1650	800	400	1560x690	375	1524.8x674.8	1640x365	1540x690	93,25	0,56
MVAC161040	MVACT161040	1650	1000	400	1560x890	375	1524.8x874.8	1640x365	1540x890	111,3	0,70
MVAC186040	MVACT186040	1800	600	400	1710x490	375	1674.8x474.8	1790x365	1690x490	76,61	0,46
MVAC188040	MVACT188040	1800	800	400	1710x690	375	1600x600	1790x365	1690x690	100,76	0,61
MVAC188050	MVACT188050	1800	800	500	1710x690	475	1600x600	1790x465	1690x690	107,21	0,76
MVAC181040	MVACT186050	1800	1000	400	1710x890	375	1600x800	1790x365	1690x890	120,24	0,76
MVAC181050	MVACT188050	1800	1000	500	1710x890	475	1600x800	1790x465	1690x890	127,18	0,95
MVAC206040	MVACT206040	2000	600	500	1910x490	475	1874.8x474.8	1990x465	1890x490	84,68	0,51
MVAC208040	MVACT208040	2000	800	400	1910x690	375	1800x600	1990x365	1890x690	111,19	0,68
MVAC208050	MVACT208050	2000	800	500	1910x690	475	1800x600	1990x465	1890x690	118,13	0,85
MVAC201040	MVACT201040	2000	1000	400	1910x890	375	1800x800	1990x365	1890x890	132,58	0,85
MVAC201050	MVACT201050	2000	1000	500	1910x890	475	1800x800	1990x465	1890x890	140	1,05
Version: Normative UL		Add "UL" to the reference. Ex "MVAC166040 UL"									
Version IP66		Add "66" to the reference Ex: "MVAC30201567"									
Version IP69K		Add "69" to the reference Ex: "MVAC302015/69"									

Separation depth plate 20mm

# STAINLESS STEEL FREE-STANDING ENCLOSURE TRIBECA SERIES IP66



Tribeca with insulation



Tribeca without insulation

## REFERENCES 2 DOORS

REFERENCES		DIMENSIONS (mm)									
BLIND DOOR	POLYCARBONATE DOOR (no IP69K)	HEIGHT -A-	WIDTH -B-	DEPTH -C-	ACCESS -GxH-	INSIDE DEPTH -D-	MACHINABLE AREA		PLATE MEASUREMENT -ExF-	WEIGHT (Kg)	VOLUME (m <sup>3</sup> )
							DOOR	SIDE			
MVAC161240	MVACT161240	1650	1200	400	1560x1090	375	1524.8x464.2 and 1524.8x497.2	1640x365	1520x1070	129,33	0,84
MVAC181240	MVACT181240	1800	1200	400	1710x1090	375	1674.8x464.2 and 1674.8x497.2	1790x365	1670x1070	139,7	0,91
MVAC181250	MVACT181250	1800	1200	500	1710x1090	475	1674.8x464.2 and 1674.8x497.2	1790x465	1670x1070	147,12	1,14
MVAC201240	MVACT201240	2000	1200	400	1910x1090	375	1874.8x464.2 and 1874.8x497.2	1990x365	1870x1070	149,61	1,02
MVAC201250	MVACT201250	2000	1200	500	1910x1090	475	1874.8x464.2 and 1874.8x497.2	1990x465	1870x1070	157,51	1,26
MVAC201440	MVACT201440	2000	1400	400	1910x1290	375	1874.8x664.2 and 1874.8x697.2	1990x365	1870x1270	169,38	1,18
MVAC201450	MVACT201450	2000	1400	500	1910x1290	475	1874.8x664.2 and 1874.8x697.2	1990x465	1870x1270	177,76	1,47
MVAC201640	MVACT201640	2000	1600	400	1910x1490	375	1810x605 and 1810x605	1990x365	1870x1470	189,12	1,35
MVAC201650	MVACT201650	2000	1600	500	1910x1490	475	1810x605 and 1810x605	1990x465	1870x1470	197,99	1,68
Version: Normative UL		Add "UL" to the reference. Ex "MVAC166040 UL"									
Version IP66		Add "66" to the reference Ex: "MVAC30201567"									
Version IP69K		Add "69" to the reference Ex: "MVAC30201569"									

Separation depth plate 20mm



Tribeca with double doors



# MODULAR STAINLESS STEEL ENCLOSURE

## TITAN SERIES IP66



Example

### Perfect Sealing Thanks to Gaskets Used in the Joints

Modular stainless steel enclosure Titan Series, stylish and corrosion resistant, completely adaptable, flexible, for food, petrochemical, pharmaceutical industries, electrical use, which require smartness hygiene, sealing and long life. Our system is a closed profile in stainless steel steel, welded, give greater strength and top quality.

The doors sides and rear are hinged and easily removable with 120° opening, thanks to assembly with screws.

All this is achieved with a perfect assembly system where after the construction requested modules are coupled with screws. But the best advantage of this cabinet is the versatility it provides, in Addition to the large number of customized accessories.

A perfect assembly system that gives the most consistent cabinet and facilitates the assembly of other components, along with an elegant finish make this the Titan stainless steel, one of the most popular enclosures.

➔ [FOR MORE INFORMATION CLICK HERE](#)



# MODULAR STAINLESS STEEL ENCLOSURE TITAN SERIES IP66

## APPLICATIONS

Specially designed for maximum flexibility in use. Thanks to its versatility it can be used in the food and pharmaceuticals industries, where hygiene is essential, as in petrochemical, electrical, industries where total sealing is essential and also in general industrial environments always offering a long life.

## NORMATIVE

- IP66 Norm EN 62208 / EN 60529.
- DIN EN ISO 14159 Machine safety – hygiene requirements pertaining to the design of machinery.
- Machinery Directive 2006/42/EC. Food machinery and cosmetic or pharmaceutical production.
- EHEDG Guideline Hygienic Design doc.13 machinery for open processes.
- DIN EN 1672-2-2005 for food industry machinery.
- Maximum IK10 resistance Norm IEC 62208 and EN 50102.
- Manufactured following EU low voltage ruling 2014/35/UE.
- RoHS Directive 2011/65/UE compliant.
- UL approval Nema 4x, 12, 3r, 1. N° File E342220.
- Maximum voltage 1000V.
- Temperature resistant: -40°C +100°C (short time +160°C).
- Option silicone gasket: from -60°C to +180°C (short time up to +350°C).

## OPTIONS

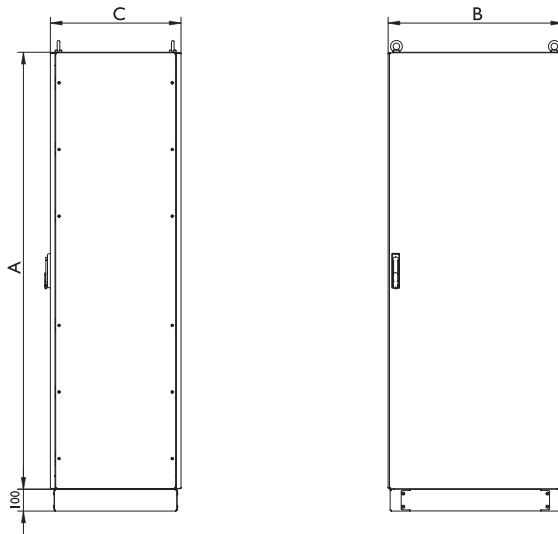
- Up to IP69K -DIN 40050-9.
- Option painted galvanized steel finish in RAL 7035 or another color.
- Custom made based on your needs.
- With the possibility to join several modules.
- Plinths at base. Swing rack.
- Eyebolt (not included in standard model).
- All types of ventilation.
- Cable entry cover at base.
- Metal legs and wheels.
- Transparent polycarbonate door, with tempered glass or with safety glass (no IP69k).
- Finished in textured paint RAL on request.
- Mounting plate insulator (bakelite) or painted steel.
- Manufactured in stainless steel AISI 316L EN 14404.
- EMC version according to 2014/30/UE of electromagnetic compatibility.

## ADVANTAGES

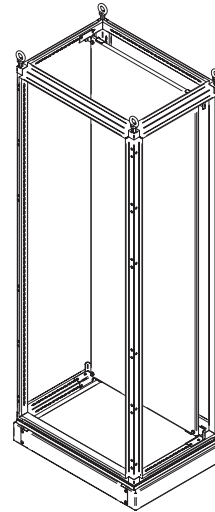
- Broad assembly area and great accessibility.
- Endless choices, modules and measurements.
- Delivery soldier, which gives it great strength.
- Side rear, top and bottom panels, easily removable.
- 100% stainless steel from handle to opening system.
- Door opens to 120°.
- Standard with three or four width points lock.
- Perfect sealing thanks to gaskets used in the joints.
- Delvalle supplies any measurements required including custom built holes and cut outs both for the door and enclosure.
- Distributed load 1000 kg.

# MODULAR STAINLESS STEEL ENCLOSURE TITAN SERIES IP66

## PLAN



→ [CLICK HERE TO DOWNLOAD THE FILES CAD - PLANS - CERTIFICATES](#)



## REFERENCES 2 DOORS

REFERENCES	DIMENSIONS (mm)				
BLIND DOOR	HEIGHT -A-	WIDTH -B-	DEPTH -C-	WEIGHT (Kg)	VOLUME (m³)
MVAF181050/2	1800	1000	500	166,76	0,95
MVAF181060/2	1800	1000	600	175,26	1,13
MVAF201040/2	2000	1000	400	165,96	0,85
MVAF201050/2	2000	1000	500	174,73	1,05
MVAF201240/2	2000	1200	400	195,03	1,02
MVAF201250/2	2000	1200	500	204,48	1,26
MVAF201260/2	2000	1200	600	213,94	1,51
MVAF201280/2	2000	1200	800	255,95	2,19
MVAF221260/2	2200	1200	600	229,97	1,65
MVAF221280/2	2200	1200	800	255,95	2,19
MVAF221080/2	2200	1000	800	229,84	1,83
Version UL	Add "UL" to the reference. Ex: "MVAF126040UL"				
Version IP66	Add "66" to the reference Ex: "MVAF30201567"				
Version IP69K	Add "66" to the reference Ex: "MVAF30201567"				

Separation depth plate 20mm

**10 YEARS**  
STAINLESS ANTICORROSIVE GUARANTEE

**5 YEARS**  
MECHANICAL PARTS GUARANTEE



# MODULAR STAINLESS STEEL ENCLOSURE TITAN SERIES IP66

## REFERENCES | DOOR

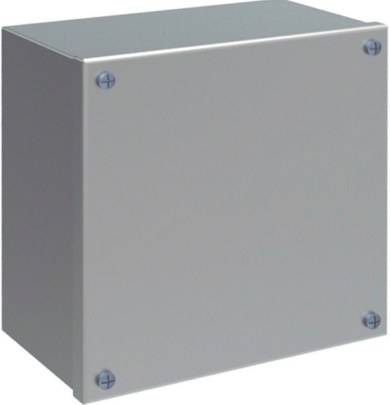
REFERENCES	DIMENSIONS (mm)				
BLIND DOOR	HEIGHT -A-	WIDTH -B-	DEPTH -C-	WEIGHT (Kg)	VOLUME (m <sup>3</sup> )
MVAFI26040	1200	600	400	79,75	0,31
MVAFI26060	1200	600	600	91,51	0,46
MVAFI26080	1200	600	800	107,1	0,61
MVAFI28040	1200	800	400	98,23	0,41
MVAFI28060	1200	800	600	110,97	0,61
MVAFI28080	1200	800	800	127,51	0,81
MVAFI46040	1400	600	400	87,81	0,36
MVAFI46060	1400	600	600	101	0,53
MVAFI46080	1400	600	800	118,01	0,71
MVAFI48040	1400	800	400	112,63	0,48
MVAFI48060	1400	800	600	123,12	0,71
MVAFI48080	1400	800	800	141,09	0,94
MVAFI66040	1600	600	400	98,14	0,41
MVAFI66060	1600	600	600	111,41	0,61
MVAFI66080	1600	600	800	129,82	0,81
MVAFI68040	1600	800	400	121,01	0,55
MVAFI68060	1600	800	600	135,25	0,81
MVAFI68080	1600	800	800	154,61	1,07
MVAFI61040	1600	100	400	139,78	0,68
MVAFI61060	1600	100	600	154,98	1,01
MVAFI61080	1600	100	800	175,31	1,34
MVAFI61240	1600	120	400	158,53	0,81
MVAFI61260	1600	120	600	174,69	1,21
MVAFI61280	1600	120	800	195,98	1,60
MVAFI86040	1800	600	400	106,65	0,46
MVAFI86050	1800	600	500	113,98	0,57
MVAFI86060	1800	600	600	121,32	0,69
MVAFI86080	1800	600	800	141,16	0,91
MVAFI88040	1800	800	400	131,75	0,61
MVAFI88050	1800	800	500	139,56	0,76
MVAFI88060	1800	800	600	147,38	0,91
MVAFI88080	1800	800	800	168,19	1,21
MVAFI81040	1800	1000	400	139,78	0,68
MVAFI81050	1800	1000	500	160,56	0,95
MVAFI81060	1800	1000	600	168,86	1,13
MVAFI81080	1800	1000	800	190,63	1,50
MVAFI81240	1800	1200	400	172,76	0,91
MVAFI81250	1800	1200	500	181,53	1,14
MVAFI81260	1800	1200	600	190,31	1,36
MVAFI81280	1800	1200	800	213,05	1,80
MVAF203050	2000	300	500	90,82	0,33
MVAF203060	2000	300	600	97,9	0,39
MVAF203080	2000	300	800	117,73	0,52
MVAF204050	2000	400	500	101,95	0,43
MVAF204060	2000	400	600	109,27	0,51
MVAF206040	2000	600	400	116,39	0,51
MVAF206050	2000	600	500	124,2	0,64
MVAF206060	2000	600	600	132,02	0,76
MVAF206080	2000	600	800	153,28	1,01
MVAF208040	2000	800	400	143,7	0,68
MVAF208050	2000	800	500	152	0,85
MVAF208060	2000	800	600	160,28	1,01
MVAF208080	2000	800	800	182,51	1,34
MVAF208010	2000	800	100	199,58	1,67
MVAF201040	2000	1000	400	165,96	0,85
MVAF201050	2000	1000	500	174,73	1,05
MVAF201060	2000	1000	600	183,52	1,26
MVAF201080	2000	1000	800	206,7	1,67
MVAF226060	2200	600	600	141,93	0,84
MVAF226080	2200	600	800	164,63	1,11
MVAF228060	2200	800	800	172,38	1,11
MVAF228080	2200	800	800	196,04	1,47
MVAF221060	2200	1000	600	197,36	1,38
MVAF221080	2200	1000	800	221,97	1,83
Version UL	Add "UL" to the reference. Ex: "MVAFI26040UL"				
Version IP66	Add "66" to the reference. Ex: "MVAF30201567"				
Version IP69K	Add "66" to the reference. Ex: "MVAF30201567"				

Separation depth plate 20mm

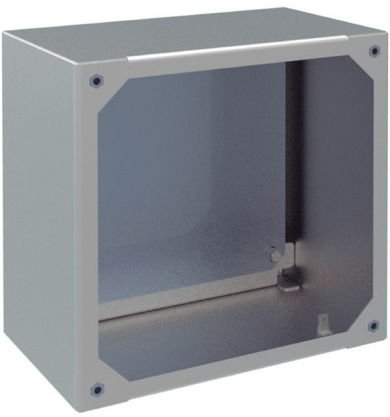




# PUSH-BUTTON AND JUNCTION STAINLESS STEEL BOX GEO SERIES IP66



Examples



**Strength, Durability  
and Long Life**

Geo Series push-button and junction boxes, elegant watertight boxes made wholly in finely polished AISI 304L EN-14306 stainless steel available in plain or bored covers (22.5). Specially designed for placing push-buttons. Offering a huge selection of configurations, sizes, styles and finishes, you are sure to find junction boxes to meet the demands of your installation.

[FOR MORE INFORMATION CLICK HERE](#)



## PUSH-BUTTON AND JUNCTION STAINLESS STEEL BOX **GEO SERIES** IP66

### APPLICATIONS

Specially designed and officially approved for food, chemical, pharmaceutical, transformer and telecommunication industries for use both inside and outside, due to the advantages of high resistance to chemical agents and durability.



### NORMATIVE

- IP55 or IP66 (W) Norm EN 62208 / EN 60529.
- DIN EN ISO 14159 Machine safety – hygiene requirements pertaining to the design of machinery.
- Machinery Directive 2006/42/EC. Food machinery and cosmetic or pharmaceutical production.
- EHEDG Guideline Hygienic Design doc.13 machinery for open processes.
- DIN EN 1672-2-2005 for food industry machinery.
- Maximum IK10 resistance Norm IEC 62208 and EN 50102.
- Manufactured following EU low voltage ruling 2014/35/UE.
- RoHS Directive 2011/65/UE compliant.
- UL approval Nema 4x, 12, 3r, 1. N° File E342220.
- Maximum voltage 1000V.
- Temperature resistant: -40°C +100°C (short time +160°C).
- Option silicone gasket: from -60°C to +180°C (short time up to +350°C).

### OPTIONS

- Custom made based on your needs.
- IP67, IP68 and up to IP69K - DIN 40050-9.
- Manufactured in stainless steel AISI 316L EN 14404.
- Metal legs.
- Unloosable screws.
- Finished in textured paint RAL on request.
- Mounting plate insulator (bakelite) or painted steel.
- EMC version according to 2014/30/UE of electromagnetic compatibility.
- Option painted galvanized steel finish in RAL 7035 or another color.

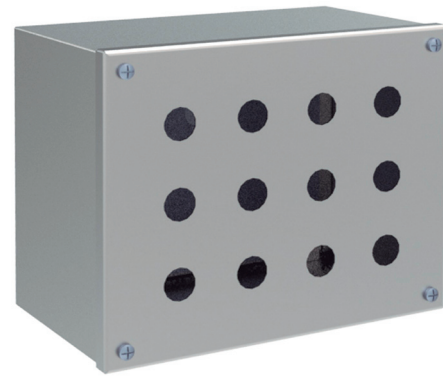
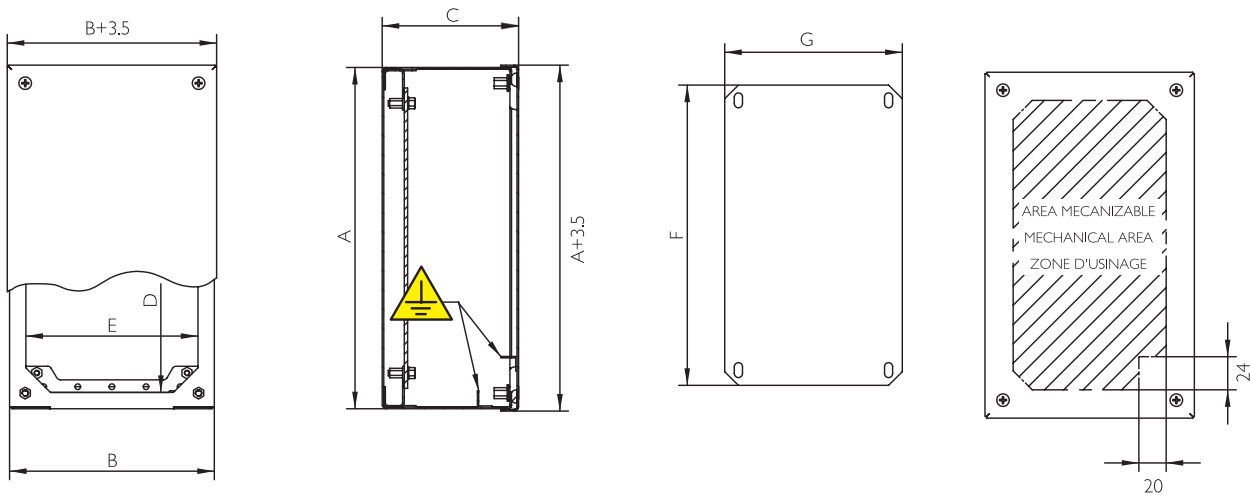
### ADVANTAGES

- Strength, durability and long life.
- Special built to measure solutions.
- 100% stainless steel.
- Wide variety of accessories.
- Stainless steel AISI 304L or AISI 316L.
- Unlimited options.
- Supplied with protective film which prevents scratches and abrasions during handling.
- The manufacture of the stainless steel monobloc allows sealing and ensures maximum resistance.
- Water channel to prevent liquids coming into contact with the polyurethane seal and hidden hinges giving perfect sealing.
- Delvalle supplies any measurements required including custom built holes and cut outs both for the door and enclosure.
- Up to IP67 or IP69K.

# PUSH-BUTTON AND JUNCTION STAINLESS STEEL BOX **GEO SERIES** IP66

## PLAN

→ [CLICK HERE TO DOWNLOAD THE FILES CAD - PLANS - CERTIFICATES](#)



## REFERENCES

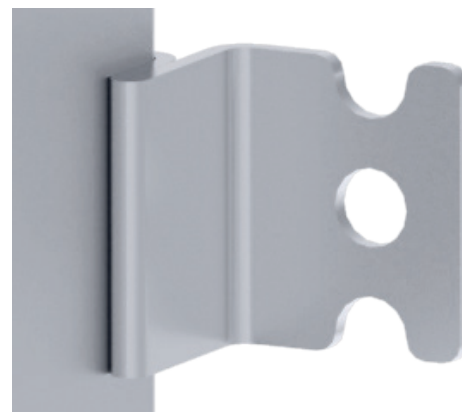
REFERENCES		COVER	DIMENSIONS (mm)							
BLIND COVER	PERFORATED COVER	N° HOLES	HEIGHT - A -	WIDTH - B -	DEPTH - C -	ACCESS - DxÉ -	MACHINABLE AREA	PLATE MEASUR. - FxG -	WEIGHT (Kg)	VOLUME (m <sup>3</sup> )
MVCB909080	MVCB909080P	1	90	90	80	66x66	48x48	60x70	0,68	0,001
MVCB149080	MVCB149080P	2	140	90	80	116x66	98x48	110x70	0,92	0,001
MVCB209080	MVCB209080P	3	200	90	80	176x66	158x48	170x70	1,2	0,002
MVCB269012	MVCB269012P	4	260	90	120	236x66	218x48	230x70	1,75	0,004
MVCB289080	MVCB289080P	5	280	90	80	256x66	238x48	250x70	1,6	0,002
MVCB101612	MVCB101612P	3	100	160	120	76x136	58x118	70x140	1,29	0,003
MVCB161612	MVCB161612P	4	160	160	120	136x136	118x118	130x140	1,81	0,004
MVCB202012	MVCB202012P	6	200	200	120	176x176	158x158	170x180	2,53	0,006
MVCB202515	MVCB202515P	12	200	250	150	176x226	158x208	170x230	3,25	0,009
MVCB252515	MVCB252515P	16	250	250	150	226x226	208x208	220x230	3,87	0,012
MVCB203015	MVCB203015P	15	200	300	150	176x276	158x258	170x280	3,75	0,011
MVCB303015	MVCB303015P	25	300	300	150	276x276	258x258	270x280	5,16	0,016
MVCB304015	MVCB304015P	35	300	400	150	276x376	258x358	270x380	6,64	0,022
MVCB404015	MVCB404015P	49	400	400	150	376x376	358x358	370x380	8,41	0,028
Version: Normative UL			Add "UL" a la referencia Ej: "MVCB909080UL"							
Version IP67			Add "67" to the reference Ex: "MVAB30201567"							
Version IP69K			Add "69" to the reference Ex: "MVAB302015/69"							

## WALL MOUNTING BRACKETS

Wall brackets are connections that are attached to the enclosures to achieve either a vertical or horizontal position.

The form of the joint can vary according to the project requirements. The size and material of the bracket will depend on the characteristics of the enclosure being designed.

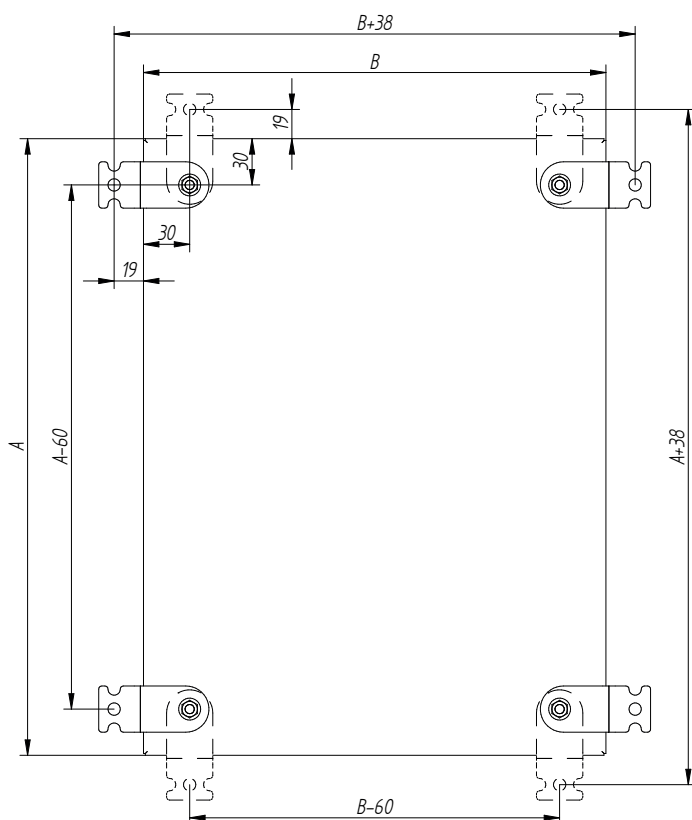
BRACKETS REFERENCE		
REFERENCE	MATERIAL	CONNECTION
MVSM02	INOX 304L	Bolt
MVSM08	GALVA	Bolt
MVSM05	INOX 316L	Bolt
MVSM11	INOX 304L	Welded
MVSM13	GALVA	Welded
MVSM12	INOX 316L	Welded



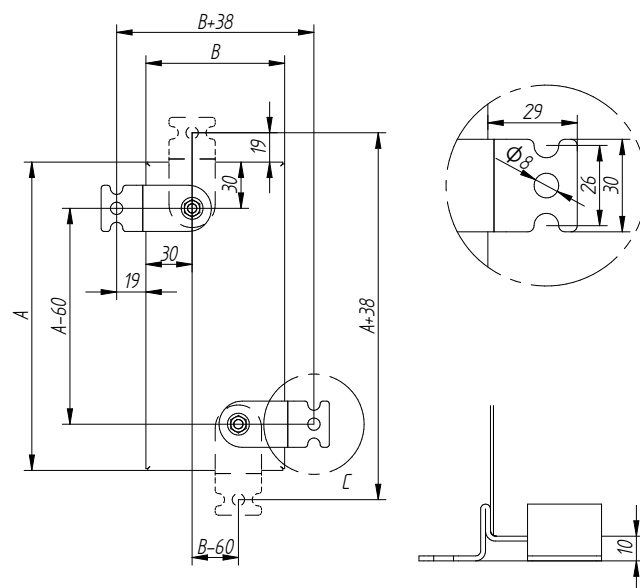
2 BRACKETS				
B	A	<200	=200	>200
<200		X	X	X
=200		X	X	
>200		X		

4 BRACKETS				
B	A	<200	=200	>200
<200				
=200				X
>200			X	X

4 BRACKETS



2 BRACKETS



## PANORAMIC WALL MOUNTED STAINLESS STEEL CABINET LUXOR TEDEO SERIES IP66



Examples



**Delvalle Supplies  
any Measurements Required**

Delvalle knows the needs of our customers and for this we've created the panoramic wall mounted LuxorTedeo Series completely stainless steel cabinet, with two or three doors AISI 304L EN 14306.

The cabinet design follows the same philosophy of sealing and strength as our other electrical cabinets but this time focusing on their horizontal integration in the machinery use for both above and below use.

High performance stainless steel used to offer quality, reliability and consistency and by following strict manufacture controls without forgetting the satin or brushed finish and the option of RAL 7035 polyester painting make it ideal for outside use.

[→ FOR MORE INFORMATION CLICK HERE](#)



## PANORAMIC WALL MOUNTED STAINLESS STEEL CABINET LUXOR TEDEO SERIES IP66

### APPLICATIONS

Specially designed for maximum flexibility in use. Thanks to its versatility it can be used in the food and pharmaceuticals industries, where hygiene is essential, as in petrochemical, electrical, industries where total sealing is essential and also in general industrial environments always offering a long life.



### ADVANTAGES

- Supplied with protective film which prevents scratches and abrasions during handling.
- It integrates into the machine horizontally
- Can be placed at the top or bottom.
- Two ways of opening sideways or upwards using a hydraulic door mechanism in each case.
- The standard stainless steel electrical panel comes with 90° double bit locks, 3 fixing points and hidden hinges
- Delvalle supplies any measurements required including custom built holes and cut outs both for the door and enclosure

### OPTIONS

- Custom made based on your needs.
- With the possibility to join several modules.
- Plinths at base
- Eyebolt (not included in standard model).
- Swing rack.
- All types of ventilation.
- Cable entry cover at base.
- Metal legs and wheels.
- Up to IP69K -DIN 40050-9.
- Transparent polycarbonate door; with tempered glass or with safety glass.
- Finished in textured paint RAL on request.
- Mounting plate insulator (bakelite) or painted steel.
- Manufactured in stainless steel AISI 316L, EN 14404.
- EMC version according to 2014/30/UE of electromagnetic compatibility.

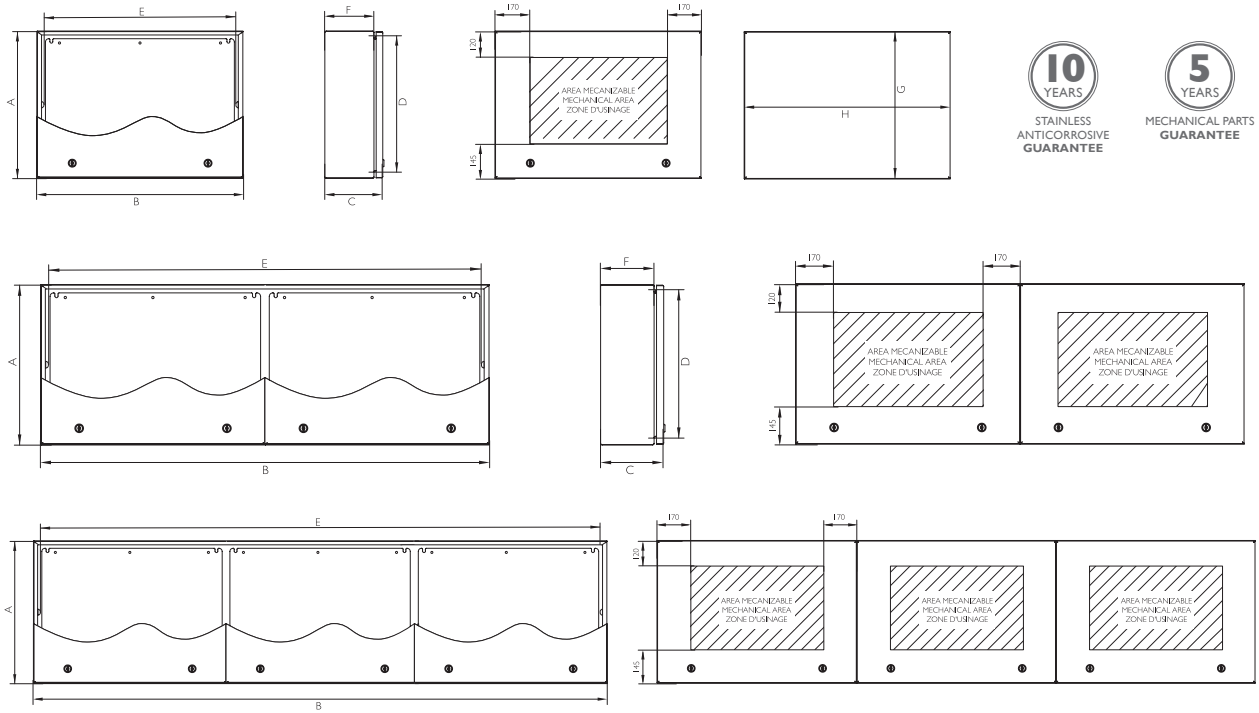
### NORMS

- IP66 (W) (IP55 double door without mounting, IP66 with central welded bar mounting) Norm IEC 60529.
- Maximum IK10 resistance Norm IEC 62262.
- Manufactured following EU low voltage ruling 2014/35/UE.
- RoHS Directive 2011/65/UE compliant.
- UL approval Nema 4x, 12, 3r, 1. N° File E342220.
- Maximum voltage 1000V
- Operating temperature -30°C to +60°C.

PANORAMIC WALL MOUNTED STAINLESS STEEL CABINET **LUXOR TEDEO SERIES** IP66

**PLAN**

CLICK HERE TO DOWNLOAD THE FILES CAD - PLANS - CERTIFICATES



**REFERENCES**

REFERENCES		DIMENSIONS (mm)									
BLIND DOOR	N° DOORS	HEIGHT - A -	WIDTH - B -	DEPTH - C -	INSIDE HEIGHT - D -	INSIDE WIDTH - E -	INSIDE DEPTH - F -	MECHINABLE SIDE AREA (F-15mm per side)	PLATE MEASURE -GxH-	POIDS (Kg)	VOLUME (m³)
TD505030	1	500	500	300	446	400	270	240	447x464	20,14	0,08
TD507530	1	500	750	300	446	650	270	240	447x714	26,15	0,12
TD501030	1	500	1000	300	446	900	270	240	447x964	32,17	0,16
TD501230	1	500	1250	300	446	1150	270	240	447x1214	38,19	0,21
TD501530	1	500	1500	300	446	1400	270	240	447x1464	44,21	0,24
TD501030.2P	2	500	1000	300	446	900	270	240	440x440 (2)	32,97	0,16
TD501230.2P	2	500	1200	300	446	1100	270	240	440x540 (2)	38,73	0,20
TD501430.2P	2	500	1400	300	446	1300	270	240	440x640 (2)	44,48	0,23
TD501630.2P	2	500	1600	300	446	1500	270	240	440x740 (2)	50,24	0,26
TD501830.2P	2	500	1800	300	446	1700	270	240	440x840 (2)	55,99	0,29
TD502030.2P	2	500	2000	300	446	1900	270	240	440x940 (2)	61,75	0,33
TD502230.3P	3	500	2250	300	446	2150	270	240	440x690 (3)	68,94	0,37
TD502530.3P	3	500	2500	300	446	2400	270	240	440x773,3 (3)	76,14	0,41
TD503030.3P	3	500	3000	300	446	2900	270	240	440x940 (3)	90,53	0,49
Version: Norm UL		Add "UL" to reference. Ex. "TD501030UL"									
Version: Transparent door		Add "T" to reference. Ex. "TD501030T" "TD501030T.2P" "TD502230T.3P"									

Separation depth plate 20mm

# STAINLESS STEEL DISMONTABLE CONSOLE

## ATRIUM SERIES IP66



Examples



### Wide Variety of Accessories

Dismontable console Atrium Series, elegant and functional, made up of 3 parts so as to choose what best suits the need in each installation. Easily accessible for the operator. Manufactured in stainless steel, with a design allowing IP66 (one door, IP55 two doors) and maximum resistance of IK10. Top door with shock absorbers which make opening easier, with dismountable bottom and hidden hinges.

The drainage channel ensures liquids don't come into contact with the polyurethane joint sealings. Front door opening to 130° giving easy access, for door opening standard 5mm double bit fastener.

→ [FOR MORE INFORMATION CLICK HERE](#)





## STAINLESS STEEL DISMONTABLE CONSOLE **ATRIUM SERIES** IP66

### APPLICATIONS

Specially designed for maximum flexibility in its use. Thanks to its versatility it can be used for machine control, to manage control systems, electrical distribution, industrial networks or any general industrial use as its so easy to use.



### FEATURES

- Spacious assembly area giving great accessibility.
- Great strength throughout.
- Door opens to 130°.
- Standard quarter-turn double bit fasteners.
- Perfect sealing thanks to gaskets used in the joints.
- Great versatility, enables its use in almost any field.
- Delvalle supplies any measurements required including custom built holes and cut outs both for the door and enclosure.
- Strength, durability and long life - Divided into 3 parts.
- Ergonomically perfect.
- Special solutions to order.
- Wide variety of accessories.
- Stainless steel AISI 304L or AISI 316L.

### OPTIONS

- Custom made based on your needs.
- Plinths/base
- Cable entry cover in lower door.
- Metal legs or wheels
- Up to IP69K -DIN 40050-9.
- Transparent polycarbonate or tempered glass door.
- Manufactured in stainless steel AISI 316L, EN 14404.
- Mounting plate insulator (bakelite) or stainless steel.
- EMC version according to 2014/30/UE of electromagnetic compatibility.

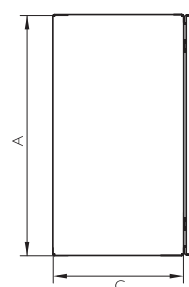
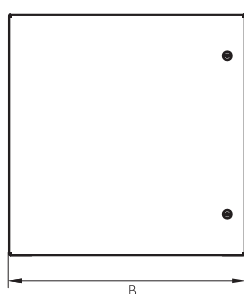
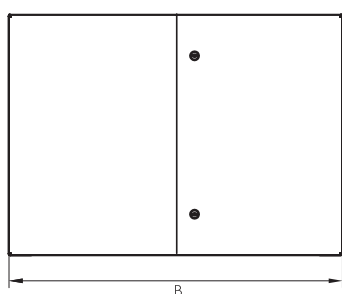
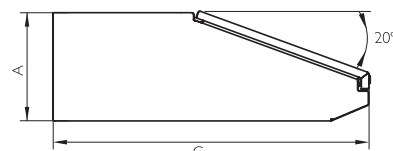
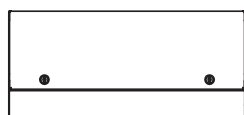
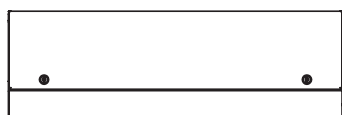
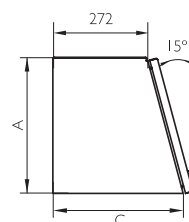
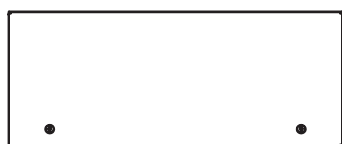
### NORMATIVE

- From IP66 (W) (IP55 two doors) Norm IEC EN 62208 - EN 60529.
- Maximum IK10 resistance Norm IEC 62208 and EN 50102.
- Our low voltage electrical panels are built to CE standards. 2014/35/UE.
- Meets requirements for materials intended to come into contact with food CE 1935/2004
- RoHs compliant.
- Maximum voltage 1000V.
- Temperature resistant: -40°C +100°C (short time +160°C).
- Option silicone gasket: from -60°C to +180°C (short time up to +350°C).

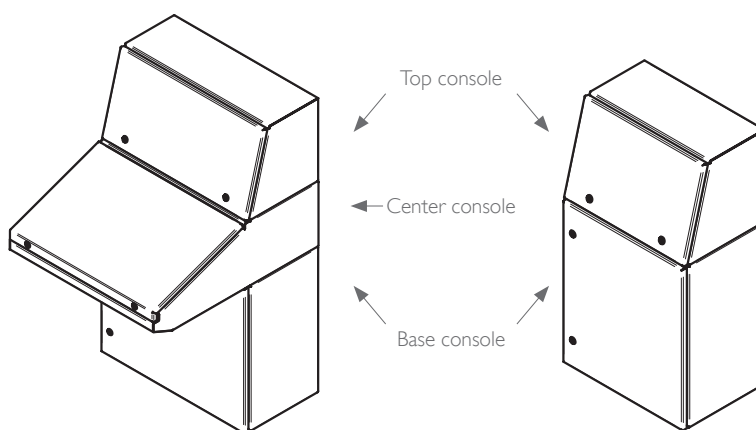
# STAINLESS STEEL DISMONTABLE CONSOLE ATRIUM SERIES IP66

## PLAN

[CLICK HERE TO DOWNLOAD THE FILES CAD - PLANS - CERTIFICATES](#)



## REFERENCES



REFERENCES	DIMENSIONS (Mm)		
TOP CONSOLE	HEIGHT - A -	WIDTH - B -	DEPTH - C -
MVPCCF406038	400	600	380
MVPCCF408038	400	800	380
MVPCCF401038	400	1000	380
MVPCCF401238	400	1200	380
MVPCCF401438	400	1400	380
MVPCCF401638	400	1600	380

REFERENCES	DIMENSIONS (Mm)		
CENTER CONSOLE	HEIGHT - A -	WIDTH - B -	DEPTH - C -
MVPCBF316091	314	600	918
MVPCBF318091	314	800	918
MVPCBF311091	314	1000	918
MVPCBF311291	314	1200	918
MVPCBF311491	314	1400	918
MVPCBF311691	314	1600	918

REFERENCES	DIMENSIONS (Mm)		
BASE CONSOLE	HEIGHT - A -	WIDTH - B -	DEPTH - C -
MVPCAF706038	700	600	380
MVPCAF708038	700	800	380
MVPCAF701038	700	1000	380
MVPCAF701238	700	1200	380
MVPCAF701438	700	1400	380
MVPCAF701638	700	1600	380

# STAINLESS STEEL WALL MOUNTED ENCLOSURE

## LUXOR SERIES IP67



Example

**We Offer a Perfect Seal  
to Protect your Electrical  
and Electronics Appliances**

New range IP67 wall electrical boxes made of stainless steel AISI 304L & AISI 316L, combine a number of features ideal for electrical and electronic applications where security and perfect sealing against dust and water are essential.

The most popular characteristic is the ease of dismantling by screws, with a revolving left door which allows the performance inside the frame without removal or loss of the door.



**FOR MORE INFORMATION CLICK HERE**



## STAINLESS STEEL WALL MOUNTED ENCLOSURE LUXOR SERIES IP67

### APPLICATIONS

This combination of strength and sealing characteristics make it ideal for electronic and electrical inner housing equipment in adverse environments outdoors.



### NORMATIVE

- IP67 Norm IEC EN 62208 and EN 60529. Submersible 1 meter during 30 minutes.
- Maximum IK10 resistance Norm IEC 62208 and EN 50102
- CE standards Low Voltage Directive 2014/35/UE.
- Maximum voltage 1000 V
- RoHs compliant.
- Temperature resistant: -40°C +100°C (short time +160°C).
- Option silicone gasket: from -60°C to +180°C (short time up to +350°C).

### OPTIONS

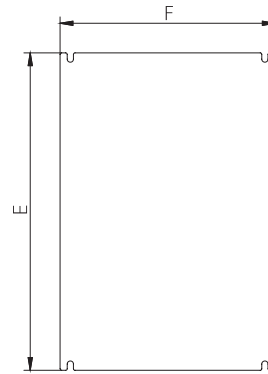
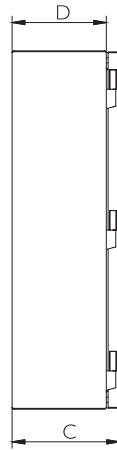
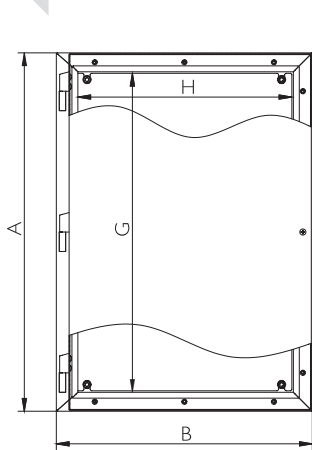
- Order by measure based on your needs.
- With a choice of two doors (from 800x600).
- We recommended using our stainless steel IP68 cable gland for cable entry.
- Manufactured in stainless steel AISI 316L EN 14404.
- Finished in textured paint other RAL colours on request.
- Mounting plate insulator (bakelite) or stainless steel.
- EMC electromagnetic protection seal between the frame and the contact surfaces, ensuring a perfect electrical connection. Standard 2014/30/UE.

### ADVANTAGES

- Sealing allows total protection against dust and water in 1 meter during 30 minutes.
- This type of boxes combine corrosion resistance and the highest market impact IK10.
- The manufacture of the stainless steel monobloc allows sealing and the maximum resistance.
- With flashing channel that avoids contact with the liquid polyurethane gasket.
- Supplied with protective film prevents scratches and abrasions during handling.
- Total protection against dust and water.
- The most robust solution. Inox AISI 304L or AISI 316L.
- IP67 Approval.

# STAINLESS STEEL WALL MOUNTED ENCLOSURE LUXOR SERIES IP67

## PLAN



CLICK HERE TO DOWNLOAD  
THE FILES CAD - PLANS - CERTIFICATES



## REFERENCES 1 DOOR

REFERENCES	DIMENSIONS (mm)									
	HEIGHT -A-	WIDTH -B-	DEPTH -C-	ACCESS -GXH-	DEPTH USEFUL -D-	MACHINABLE AREA		PLATE MEASUREMENT -ExF-	WEIGHT (Kg)	VOLUME (m <sup>3</sup> )
BLIND DOOR						DOOR	SIDE			
MVAB302015/67	300	200	155	260x153	125	220x76	270x125	265x145	4,65	0,01
MVAB383015/67	380	300	155	340x253	125	300x176	350x125	345x245	7,68	0,02
MVAB383021/67	380	300	210	340x253	180	300x176	350x180	345x245	8,57	0,03
MVAB404021/67	400	400	210	360x353	180	320x276	370x180	365x345	11,12	0,04
MVAB504021/67	500	400	210	460x353	180	420x276	470x180	465x345	13,51	0,05
MVAB505021/67	500	500	210	460x453	180	420x376	470x180	465x445	16,2	0,06
MVAB705021/67	700	500	210	660x453	180	620x376	670x180	665x445	21,55	0,08
MVAB604021/67	600	400	210	560x353	180	520x276	570x180	565x345	15,74	0,06
MVAB605021/67	600	500	210	560x453	180	520x376	570x180	565x445	18,88	0,07
MVAB606021/67	600	600	210	560x553	180	520x476	570x180	565x545	22	0,08
MVAB806030/67	800	600	300	760x553	270	720x476	770x270	765x545	31,35	0,16
MVAB808030/67	800	800	300	760x753	270	720x676	770x270	765x745	41,5	0,21
MVAB108030/67	1000	800	300	960x753	270	920x676	970x270	965x745	50,69	0,26
MVAB128030/67	1200	800	300	1160x753	270	1120x676	1170x270	1165x745	59,47	0,31
MVAB101030/67	1000	1000	300	960x953	270	920x876	970x270	965x945	61,17	0,32
*MVAC121030/67	1200	1000	300	1090x890	275	1000x790	1170x265	1070x870	78,82	0,46
*MVAC101230/67	1000	1200	300	890x1090	275	800x990	970x265	870x1070	78,76	0,39
*MVAC121230/67	1200	1200	300	1000x1000	275	1000x990	1170x265	1070x1070	92,09	0,39

\* Design Tribeca

Separation depth plate 20mm

## REFERENCES 2 DOORS

REFERENCES	DIMENSIONS (mm)								
	HEIGHT - A -	WIDTH - B -	DEPTH - C -	ACCESS - GxH -	DEPTH USEFUL - D -	MACHINABLE AREA		PLATE MEASUREMENT - ExF -	
2 BLIND DOORS						DOOR	SIDE		
MVAB806030D/67	800	600	300	746x546	270	720x217.5 and 720x173.5	720x240	740x540	
MVAB808030D/67	800	800	300	746x746	270	720x317.5 and 720x273.5	720x240	740x740	
MVAB108030D/67	1000	800	300	946x746	270	920x317.5 and 920x273.5	970x240	940x740	
MVAB128030D/67	1200	800	300	1146x746	270	1120x317.5 and 1120x273.5	1170x240	1140x740	
MVAB101030D/67	1000	1000	300	946x946	270	920x417.5 and 920x373.5	970x240	940x940	
MVAB121030D/67	1200	1000	300	1146x946	270	1120x617.5 and 1120x573.5	1170x240	1140x940	
MVAB121230D/67	1200	1200	300	1146x1146	270	1120x717.5 and 1120x673.5	1170x240	1140x1140	

Separation depth plate 20mm

# JUNCTION STAINLESS STEEL BOX

## GEO SERIES IP67



Examples



**We Offer a Perfect Seal  
to Protect your Electrical  
and Electronics Appliances**

New range IP67 push-button and junction boxes made of stainless steel AISI 304L & AISI 316L, combine a number of features ideal for electrical and electronic applications where security and perfect sealing against dust and water are essential.

[→ FOR MORE INFORMATION CLICK HERE](#)



# JUNCTION STAINLESS STEEL BOX GEO SERIES IP67

## APPLICATIONS

This combination of features make it ideal for inner housing of electronic and electrical in harsh environments weathering, marine, oil & gas where the level of protection should be provided by high sensitive components in applications such as food preparation, washing areas, both inside and out.

## NORMATIVE

- IP67 Norm IEC EN 62208 and EN 60529. Submersible 1 meter during 30 minutes.
- Maximum IK10 resistance Norm IEC 62208 and EN 50102.
- CE standards Low Voltage Directive 2014/35/UE.
- Corrosion resistance C5M, according to ISO 12944 (AISI 316).
- Compliant RoHS Directive 2011/65/UE.
- Maximum voltage 1000V.
- Complies with food industry regulations, food contact materials EC 1935/2004.
- Unlosable screws.
- Temperature resistant: -40°C +100°C (short time +160°C).
- Option silicone gasket: from -60°C to +180°C (short time up to +350°C).

## OPTIONS

- Order by measure based on your needs.
- We recommended using our stainless steel IP68 cable gland for cable entry.
- Manufactured in stainless steel AISI 316L. EN 14404.
- Finished in textured paint RAL on request.
- Mounting plate insulator (bakelite) or stainless steel.
- EMC electromagnetic protection seal between the frame and the contact surfaces, ensuring a perfect electrical connection EEC standard 2014/30/UE.

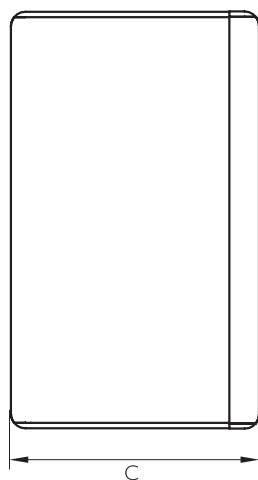
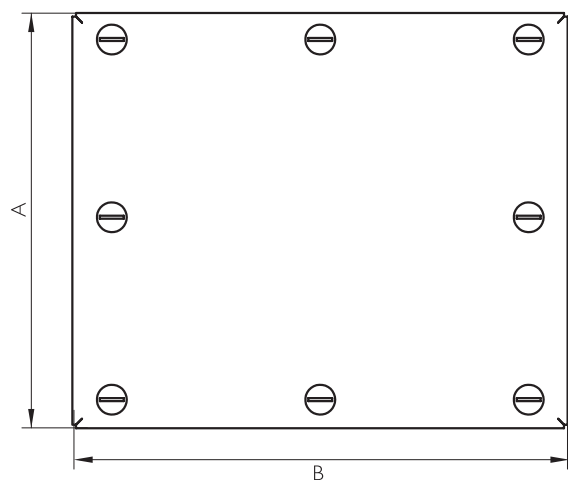
## ADVANTAGES

- Sealing allows total protection against dust and water in 1 meter during 30 minutes.
- This type of boxes combine corrosion resistance and the highest market impact IK10.
- The manufacture of the stainless steel monobloc allows sealing and the maximum resistance.
- Supplied with protective film prevents scratches and abrasions during handling.
- Strength, durability and long life.
- Inox AISI 304L or AISI 316L.
- Ideal enclosure for outdoor and adverse conditions.

# JUNCTION STAINLESS STEEL BOX GEO SERIES IP67

## PLAN

[CLICK HERE TO DOWNLOAD  
THE FILES CAD - PLANS - CERTIFICATES](#)



**10**  
YEARS  
STAINLESS  
ANTICORROSIVE  
GUARANTEE

**5**  
YEARS  
MECHANICAL PARTS  
GUARANTEE

## REFERENCES

REFERENCES		COVER	DIMENSIONS (mm)									
BLIND COVER	PERFORATED COVER	N° HOLES	HEIGHT -A-	WIDTH -B-	DEPTH -C-	ACCESS -DxE-	MACHINABLE AREA			PLATE MEASURE	WEIGHT (Kg)	VOLUME (m³)
							LID	SIDE	UP/DOWN			
MVCB909080/67	MVCB909080P/67	1	90	90	80	66x66	52x52	80x57	80x41	60x70	0,68	0,001
MVCB149080/67	MVCB149080P/67	2	140	90	80	116x66	102x52	130x57	80x41	110x70	0,92	0,001
MVCB209080/67	MVCB209080P/67	3	200	90	80	176x66	162x52	190x57	80x41	170x70	1,2	0,002
MVCB269012/67	MVCB269012P/67	4	260	90	120	236x66	222x52	250x97	80x81	230x70	1,75	0,004
MVCB289080/67	MVCB289080P/67	5	280	90	80	256x66	242x52	270x57	80x41	250x70	1,6	0,002
MVCB101612/67	MVCB101612P/67	3	100	160	120	76x136	62x122	150x97	81x90	70x140	1,29	0,003
MVCB161612/67	MVCB161612P/67	4	160	160	120	136x136	122x122	150x97	150x81	130x140	1,81	0,004
MVCB202012/67	MVCB202012P/67	6	200	200	120	176x176	162x162	190x97	190x81	170x180	2,53	0,006
MVCB202515/67	MVCB202515P/67	12	200	250	150	176x226	162x212	240x127	190x111	170x230	3,25	0,009
MVCB252515/67	MVCB252515P/67	16	250	250	150	226x226	212x212	240x127	240x111	220x230	3,87	0,011
MVCB203015/67	MVCB203015P/67	15	200	300	150	176x226	162x262	290x127	190x111	170x280	3,75	0,011
MVCB303015/67	MVCB303015P/67	25	300	300	150	276x276	262x262	290x127	290x111	270x380	5,16	0,016
MVCB304015/67	MVCB304015P/67	35	300	400	150	276x376	270x366	390x127	290x111	270x380	6,64	0,022
MVCB404015/67	MVCB404015P/67	49	400	400	150	376x376	370x363	390x127	390x111	370x380	8,41	0,028



# STAINLESS STEEL ELECTRICAL ENCLOSURE

## LUXOR SERIES IP68



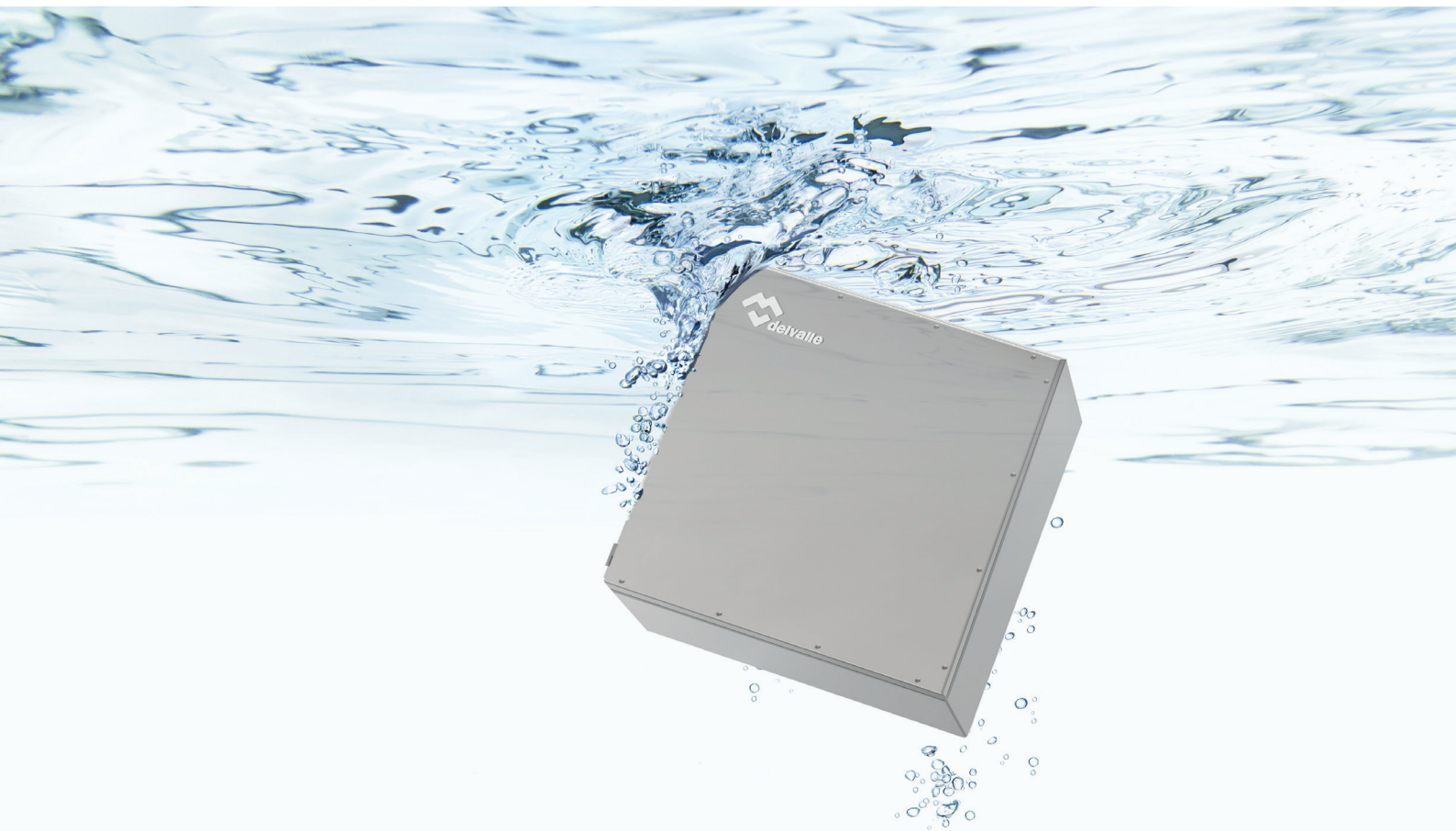
Example

**We Offer a Perfect Seal  
to Protect your Electrical  
and Electronics Appliances**

New range IP68 heavy duty wall electrical enclosure made of stainless steel AISI 304L & AISI 316L, combine a number of features ideal for electrical and electronic applications where security and perfect sealing against dust and immersion water are essential. Luxor Series IP68 of enclosures are widely used for housing vital electronic control and test equipment. The protection of IP68 allows this equipment to be immersion in to 1 meters of water without ingress during 7 days. The most popular characteristic is the ease of dismantling by screws, with a revolving left door which allows the performance inside the frame without removal or loss of the door.



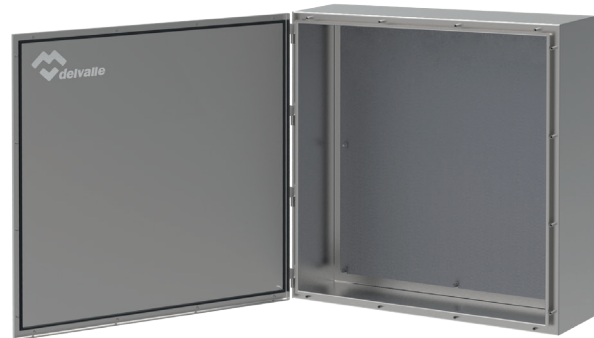
[FOR MORE INFORMATION CLICK HERE](#)



# STAINLESS STEEL ELECTRICAL ENCLOSURE LUXOR SERIES IP68

## APPLICATIONS

This combination of strength and sealing characteristics make it ideal for electronic and electrical inner housing equipment in adverse environments outdoors.



## ADVANTAGES

- Sealing allows total protection against dust and water in 1 meter during 7 days.
- This type of boxes combine corrosion resistance and the highest market impact IK10.
- The manufacture of the stainless steel monobloc allows sealing and the maximum resistance.
- With flashing channel that avoids contact with the liquid polyurethane gasket.
- Supplied with protective film prevents scratches and abrasions during handling.
- Total protection against dust and water.
- The most robust solution.
- Inox AISI 304L or AISI 316L.
- IP68 Approval.
- Maximum voltage 1000 V
- Temperature resistant: -40°C +100°C (short time +160°C).

## OPTIONS

- Order by measure based on your needs.
- We recommended using our stainless steel IP68 cable gland for cable entry.
- Manufactured in stainless steel AISI 316L EN 14404.
- Finished in textured paint other RAL colours on request.
- Mounting plate insulator (bakelite) or stainless steel.

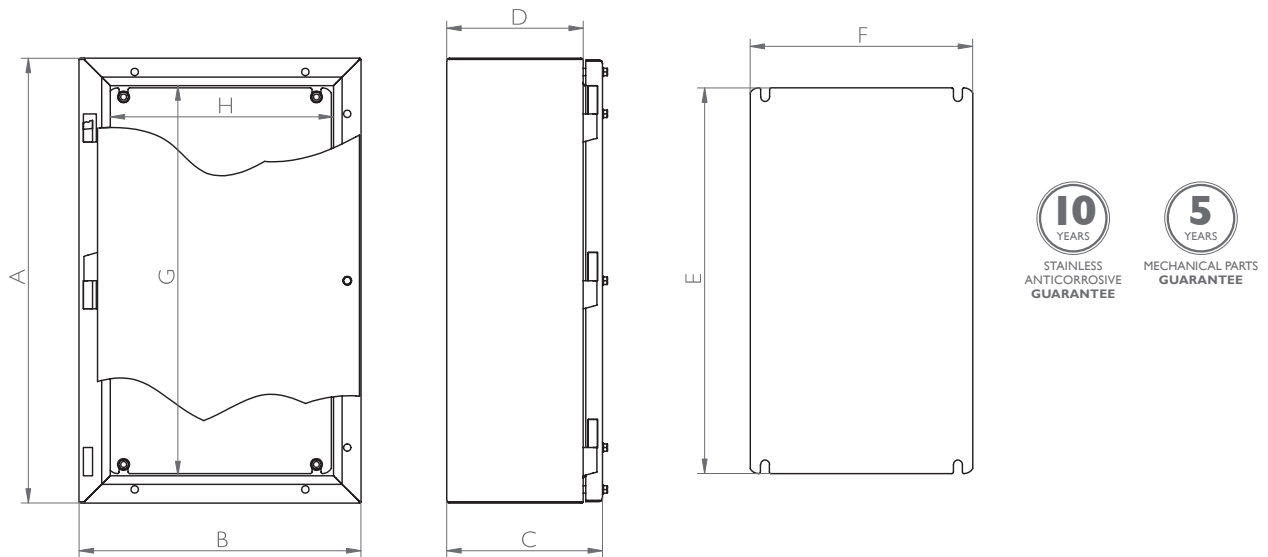
## NORMS

- IP68 Norm IEC EN 62208 and EN 60529. Submersible 1 meter during 7 days.
- Maximum IK10 resistance Norm IEC 62208 and EN 50102.
- CE standards Low Voltage Directive 2014/35/UE.
- RoHs compliant.

# STAINLESS STEEL ELECTRICAL ENCLOSURE LUXOR SERIES IP68

## PLAN

➔ [CLICK AQUÍ PARA DESCARGAR FICHEROS CAD - PLANOS - CERTIFICADOS](#)



## REFERENCES

REFERENCES	DIMENSIONS (mm)										
	BLIND DOOR	HEIGHT -A-	WIDTH -B-	DEPTH -C-	ACCESS -GxH-	INTERIOR DEPTH SHELF -D-	MACHINABLE AREA		PLATE MEASUREMENT -ExF-	POIDS (Kg)	VOLUME (m <sup>3</sup> )
							DOOR	SIDE			
MVAB302015/68	300	200	155	260 x 153	125		220 x 76	270 x 125	265 x 145	4,65	0,01
MVAB383015/68	380	300	155	340 x 253	125		300 x 176	350 x 125	345 x 245	7,68	0,02
MVAB383021/68	380	300	210	340 x 253	180		300 x 176	350 x 180	345 x 245	8,57	0,03
MVAB404021/68	400	400	210	360 x 353	180		320 x 276	370 x 180	365 x 345	11,12	0,04
MVAB504021/68	500	400	210	460 x 353	180		420 x 276	470 x 180	465 x 345	13,51	0,05
MVAB505021/68	500	500	210	460 x 453	180		420 x 376	470 x 180	465 x 445	16,2	0,06
MVAB705021/68	700	500	210	660 x 453	180		620 x 376	670 x 180	665 x 445	21,55	0,08
MVAB604021/68	600	400	210	560 x 353	180		520 x 276	570 x 180	565 x 345	15,74	0,06
MVAB605021/68	600	500	210	560 x 453	180		520 x 376	570 x 180	565 x 445	18,88	0,07
MVAB606021/68	600	600	210	560 x 553	180		520 x 476	570 x 180	565 x 545	22	0,08
MVAB806030/68	800	600	300	760 x 553	270		720 x 476	770 x 270	765 x 545	31,35	0,16
MVAB808030/68	800	800	300	760 x 753	270		720 x 676	770 x 270	765 x 745	41,5	0,21
MVAB108030/68	1000	800	300	960 x 753	270		920 x 676	970 x 270	965 x 745	50,69	0,26
MVAB128030/68	1200	800	300	1160 x 753	270		1120 x 676	1170 x 270	1165 x 745	59,47	0,31
MVAB101030/68	1000	1000	300	960 x 953	270		920 x 876	970 x 270	965 x 945	61,17	0,32
MVAB121030/68	1200	1000	300	1160 x 953	270		1120 x 876	1170 x 270	1165 x 945	83,86	0,46
MVAB121230/68	1200	1200	300	1160 x 1153	270		1120 x 1076	1170 x 270	1165 x 1145	71,7	0,39
MVAB101230/68	1000	1200	300	960 x 1153	270		920 x 1076	970 x 270	965 x 1145	71,59	0,39

Separation depth plate 20 mm

# ELECTRICAL ENCLOSURES & TERMINAL BOXES

## GEO SERIES IP68

**IP68 Geo Series Offer a Perfect Seal to Protect your Electrical and Electronics Appliances**



Example

Heavy duty IP68 electrical enclosures; junction & terminal boxes made of stainless steel AISI 304L & AISI 316L, combine a number of features ideal for electrical and electronic applications where security and perfect sealing against dust and water are essential. Geo Series IP68 of enclosures are widely used for housing vital electronic control and test equipment. For an enclosure which will withstand harsh environmental conditions, this hardwearing, IP68 enclosure range, may be highly suitable. Therefore they are ideal for water applications within the oil and gas industries, offshore/marine environments, ... Hardwearing enclosures designed for tougher environments and sealed to IP68.



[FOR MORE INFORMATION CLICK HERE](#)



## ELECTRICAL ENCLOSURES & TERMINAL BOXES **GEO SERIES** IP68

### APPLICATIONS

This combination of features make it ideal for inner housing of electronic and electrical in harsh environments weathering, marine, oil & gas, water where the level of protection should be provided by high sensitive components in applications such as food preparation, washing areas, both inside and out.



### NORMATIVE

- IP68 rated Norm IEC EN 62208 and EN 60529. Submersible 1 meter during 2 hours.
- Maximum IK10 resistance Norm IEC 62208 and EN 50102.
- CE standards Low Voltage Directive 2014/35/UE.
- Corrosion resistance C5M, according to ISO 12944 (AISI 316).
- IP68 (w) Corrosion areas.
- Compliant RoHS Directive 2011/65/UE.
- Maximum voltage 1000 V.
- Temperature resistant: -40°C +100°C (short time +160°C).
- Option silicone gasket: from -60°C to +180°C (short time up to +350°C).

### OPTIONS

- Order by measure based on your needs.
- Customisation options available, see our custom design service.
- We can add Connexion Terminals and din .
- Door hinges.
- We recommended using our stainless steel IP68 cable gland for cable entry.
- Manufactured in stainless steel AISI 316L. EN 14404.
- Finished in textured paint RAL on request.
- Mounting plate insulator (bakelite) or stainless steel.

### ADVANTAGES

- Sealing allows total protection against dust and waterproof in 1 meter during 2 hours.
- This type of boxes combine corrosion resistance and the highest market impact IK10.
- The manufacture of the stainless steel monobloc allows sealing and the maximum resistance.
- Safe and resistant in hard and aggressive environments.
- Supplied with protective film prevents scratches and abrasions during handling.
- Monobloc shape giving perfect sealing and impact resistance
- Strength, durability and long life.
- Spacious interior that simplifies the connection operations
- Inox AISI 304L or AISI 316L.
- Unlosable screws.
- Ideal enclosure for outdoor and adverse conditions.

# ELECTRICAL ENCLOSURES & TERMINAL BOXES **GEO SERIES** IP68



**5**  
YEARS

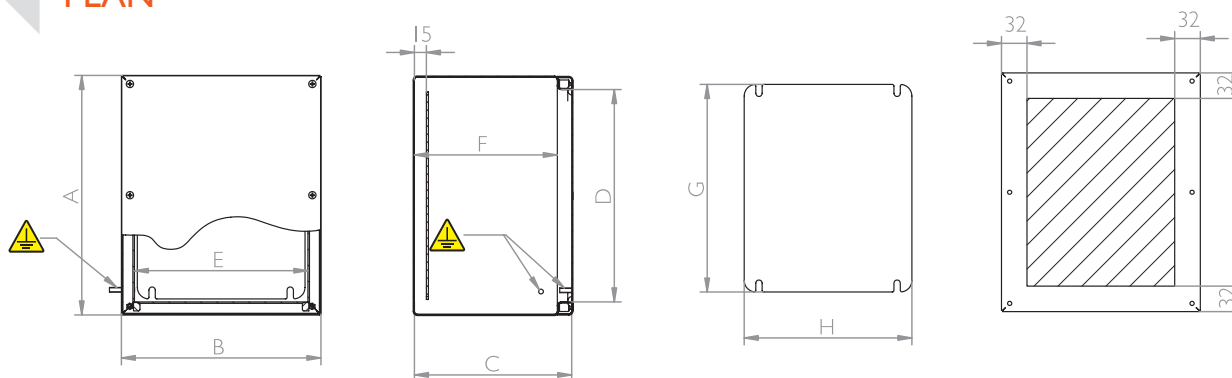
MECHANICAL PARTS  
GUARANTEE

**10**  
YEARS

STAINLESS  
ANTICORROSIVE  
GUARANTEE



## PLAN



## REFERENCES

REFERENCES	DIMENSIONS (mm)								
	HEIGHT -A-	WIDTH -B-	DEPTH -C-	INSIDE HEIGHT -D-	INSIDE WIDTH -E-	INSIDE DEPTH -F-	MACHINABLE AREA		PLATE MEASUREMENT -GxH-
GEO IP68							DOOR	SIDE	
MVCB909080/68	90	90	80	39,6	39,6	61,4	25x25	60x28,8	34x34
MVCB209080/68	200	90	80	149,6	39,6	61,4	135x25	170x28,8	144x34
MVCB289080/68	280	90	80	129,6	39,6	61,4	215x25	250x28,8	224x34
MVCB101615/68	100	160	150	49,6	109,6	131,4	35x95	70x98,8	44x104
MVCB202015/68	200	200	150	149,6	149,6	131,4	135x135	170x98,8	144x144
MVCB202520/68	200	250	200	149,6	199,6	181,4	135x185	170x148,8	144x194
MVCB303020/68	300	300	200	249,6	249,6	181,4	235x235	270x148,8	244x244
MVCB304030/68	300	400	300	249,6	349,6	281,4	235x335	270x248,8	244x344
MVCB404030/68	400	400	300	349,6	349,6	281,4	335x335	370x248,8	344x344
MVCB606040/68	600	600	400	549,6	549,6	381,4	535x535	570x348,8	544x544
MVCB808040/68	800	800	400	749,6	749,6	381,4	735x735	770x348,8	744x744
MVCB101050/68	1000	1000	400	949,6	949,6	381,4	935x935	970x348,8	944x944

# NEMA ENCLOSURES WITH DISCONNECT SWITCHES



Examples



## Disconnect Switches Nema for Enclosures

Installed on Nema 1, 3r, 4x, 12 enclosures, disconnect switches can be used at both indoor and outdoor applications. Together with a system of enclosure-and-door interlocks, disconnect switches provide an additional level of safety by preventing operators from opening any door when the disconnect switch is energized. We manufacture both single and multi-door disconnect switches. Cable Operated System Thinner cable design for more flexibility and lower bend diameter.

➔ [FOR MORE INFORMATION CLICK HERE](#)

## APPLICATIONS

- Automotive
- Machinery Food & Beverage
- Packaging
- Oil & Gas
- Water/Wastewater
- Paper & Packaging
- Utilities & Mining
- Industrial Manufacturing

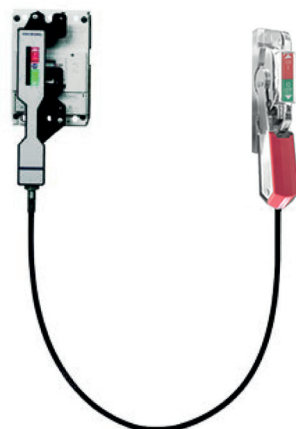
# NEMA ENCLOSURES WITH DISCONNECT SWITCHES

## FEATURES

- Fuse admits Class E, H, J and R
- Switch 30...600A
- Enclosure Options:
  - Painted steel: Nema 1/3R/4/12
  - Stainless steel or aluminium: Nema 4/4X



## MOUNTING

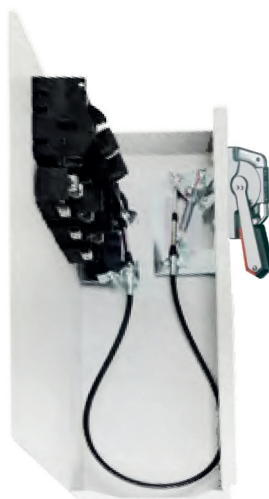


**10**  
YEARS

STAINLESS  
ANTICORROSIVE  
GUARANTEE

**UL**

**NEMA**  
1 - 3R - 4X - 12



**5**  
YEARS

MECHANICAL PARTS  
GUARANTEE

## DESIGNS



**BASIC DESIGN**  
Single door cabinet.



**DESIGN 2 DOORS**  
DESIGN con doble DOOR.



**3 DOOR DESIGN**  
Triple door design.



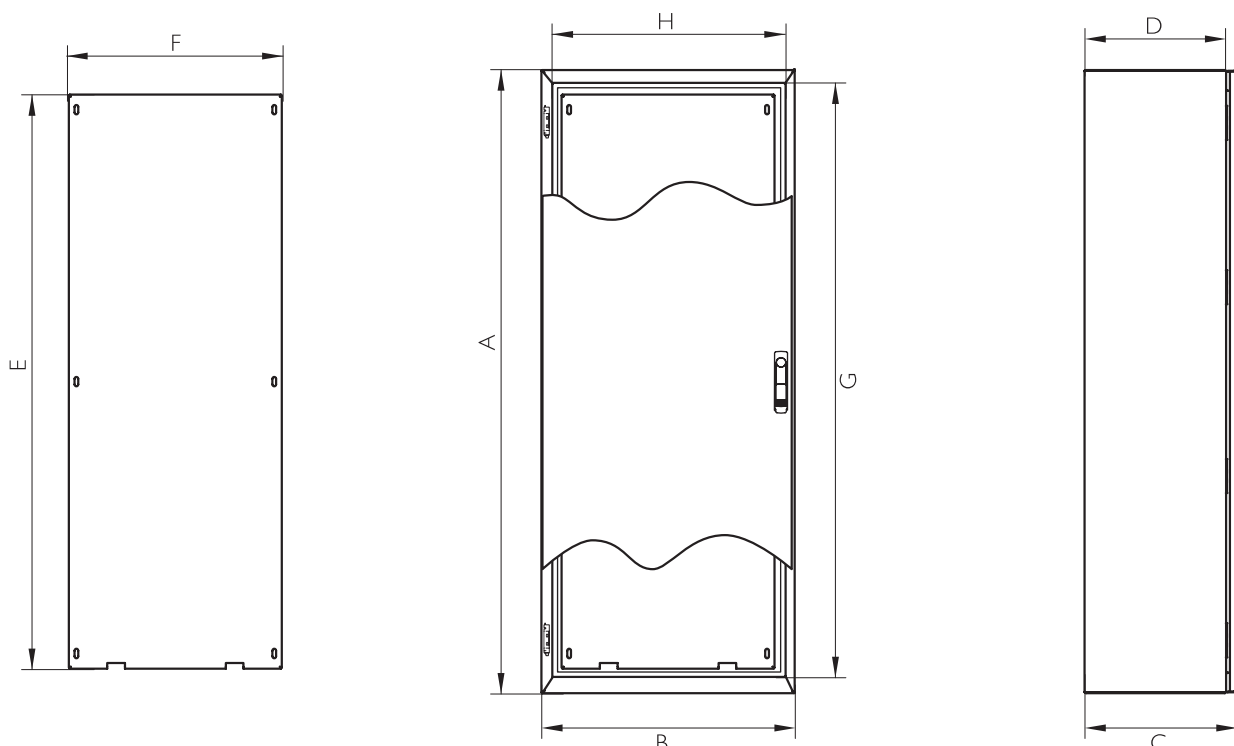
# NEMA ENCLOSURES WITH DISCONNECT SWITCHES

## NORMATIVE

- IP66 (W) Norm IEC 60529.
- Maximum IK10 resistance Norm IEC 62262
- Manufactured following EU low voltage ruling 2014/35/UE
- Materials intended to come into contact with food EC 1935/2004
- RoHs compliant
- UL approval Nema 4x, 12, 3r, 1. N°File E342220
- Maximum voltage 1000V
- IEC 60947
- Temperature resistant: -40°C +100°C (short time +160°C.)
- Option silicone gasket: from -60° C to +180° C (short time up to +350° C)
- UL 508 Listed
- UL 98
- CE Marked
- CSA C22.2 N° 4
- Nema 1/3r/4/4x/12

## PLAN

➔ [CLICK HERE TO DOWNLOAD THE FILES CAD - PLANS - CERTIFICATES](#)



# NEMA ENCLOSURES WITH DISCONNECT SWITCHES

## REFERENCES 1 DOOR

REFERENCES	DIMENSIONS (mm)										
BLIND DOOR	N° DOORS	HEIGHT - A -	WIDTH - B -	DEPTH - C -	HOLE ACCESS - GxH -	DEPTH USEFUL INTERIOR - D -	MACHINABLE DOOR AREA	MACHINABLE SIDE AREA	PLATE MEASUREMENT -ExF-	WEIGHT (Kg)	VOLUME (m <sup>3</sup> )
MVAC165440DSC	1	1650	540	400	1540x430	375	1524.8x414.8	1640x365	1520x470	70,9	0,42
MVAC167440DSC	1	1650	740	400	1540x630	375	1524.8x614.8	1640x365	1520x670	93,25	0,56
MVAC169440DSC	1	1650	940	400	1540x830	375	1524.8x814.8	1640x365	1520x870	111,3	0,70
MVAC185440DSC	1	1800	540	400	1690x430	375	1674.8x414.8	1790x365	1670x470	76,61	0,46
MVAC187440DSC	1	1800	740	400	1690x630	375	1600x540	1790x365	1670x670	100,76	0,61
MVAC187450DSC	1	1800	740	500	1690x630	475	1600x540	1790x465	1670x670	107,21	0,76
MVAC189440DSC	1	1800	940	400	1690x830	375	1600x740	1790x365	1670x870	120,24	0,76
MVAC189450DSC	1	1800	940	500	1690x830	475	1600x740	1790x465	1670x870	127,18	0,95
MVAC205440DSC	1	2000	540	400	1890x430	475	1874.8x414.8	1990x465	1870x470	84,68	0,51
MVAC207440DSC	1	2000	740	400	1890x630	375	1800x540	1990x365	1870x670	111,19	0,68
MVAC207450DSC	1	2000	740	500	1890x630	475	1800x540	1990x465	1870x670	118,13	0,85
MVAC209440DSC	1	2000	940	400	1890x830	375	1800x740	1990x365	1870x870	132,58	0,85
MVAC209450DSC	1	2000	940	500	1890x830	475	1800x740	1990x465	1870x870	140	1,05

Separation depth plate 20mm

## REFERENCES 2 DOORS

REFERENCES	DIMENSIONS (mm)										
BLIND DOOR	N° DOORS	HEIGHT - A -	WIDTH - B -	DEPTH - C -	HOLE ACCESS - GxH -	DEPTH USEFUL INTERIOR - D -	MACHINABLE DOOR AREA	MACHINABLE SIDE AREA	PLATE MEASUREMENT -ExF-	WEIGHT (Kg)	VOLUME (m <sup>3</sup> )
MVAC161140DSC	2	1650	1140	400	1540x1030	375	1524.8x404.2 and 1524.8x437.2	1640x365	1520x1070	129,33	0,84
MVAC181140DSC	2	1800	1140	400	1690x1030	375	1674.8x404.2 and 1674.8x437.2	1790x365	1670x1070	139,7	0,91
MVAC181150DSC	2	1800	1140	500	1690x1030	475	1674.8x404.2 and 1674.8x437.2	1790x465	1670x1070	147,12	1,14
MVAC201140DSC	2	2000	1140	400	1890x1030	375	1874.8x404.2 and 1874.8x437.2	1990x365	1870x1070	149,61	1,02
MVAC201150DSC	2	2000	1140	500	1890x1230	475	1874.8x404.2 and 1874.8x437.2	1990x465	1870x1070	157,51	1,26
MVAC201340DSC	2	2000	1340	400	1890x1230	375	1874.8x604.2 and 1874.8x637.2	1990x365	1870x1270	169,38	1,18
MVAC201350DSC	2	2000	1340	500	1890x1230	475	1874.8x604.2 and 1874.8x637.2	1990x465	1870x1270	177,76	1,47
MVAC201540DSC	2	2000	1540	400	1890x1430	375	1810x545 and 1810x545	1990x365	1870x1470	189,12	1,35
MVAC201550DSC	2	2000	1540	500	1890x1430	475	1810x545 and 1810x545	1990x465	1870x1470	197,99	1,68

Separation depth plate 20mm

## STAINLESS STEEL COMPUTERS PC WORKSTATION HMI'S IP65



Example

### Protects Against Dust, Dirt and Moisture

Computer enclosures, designed for industrial environments subject to dust, dirt and moisture, manufactured in stainless steel AISI 304L. Gives protection and storage for equipment used in manufacturing, computers and peripherals, without skimping on design and functionality. Its perfect ergonomics make it the best option for integration, in machines or production processes, with proper stand up handling by the operator, thanks to the ideal height of the cabinet. Additionally, it can be linked to our modular cabinets or 19" racks, and added accessories, such as adjustable trays at the bottom for placing all types of components.



[FOR MORE INFORMATION CLICK HERE](#)



### APPLICATIONS

Our computer enclosures given their design, finishing and sealing are specially designed for industrial, manufacturing and processing plants, and more specially jobs for industrial equipment, workshops, warehouses, production lines, as well as machine tools.



### ADVANTAGES

- With transparent door for the control panel.
- Sliding tray table for keyboard.
- High mechanical properties and resistant to twisting.
- Protects against dust, dirt and moisture.
- Automatic condensation elimination due to its exclusive design.
- Injected waterproof seal preventing moisture build up.

# STAINLESS STEEL COMPUTERS PC WORKSTATION HMI'S IP65

## OPTIONS

- Possibility to place in the lower door a rack or mounting plate.
- Additional trays for a printer, paper,...
- Mounting standard PC or 19" rack.
- Other designs and painting available on request.
- Plinth at base for any enclosure size to lift it above the ground giving extra cable space heights available 100 and 200 mm.
- Stainless Steel AISI 316L, EN 14404
- Fasteners and anchors included to secure it to the floor.
- Fan.
- Delvalle make to order any pre-cut units to suit your needs, including holes, channels, both in the door and in the enclosure itself.

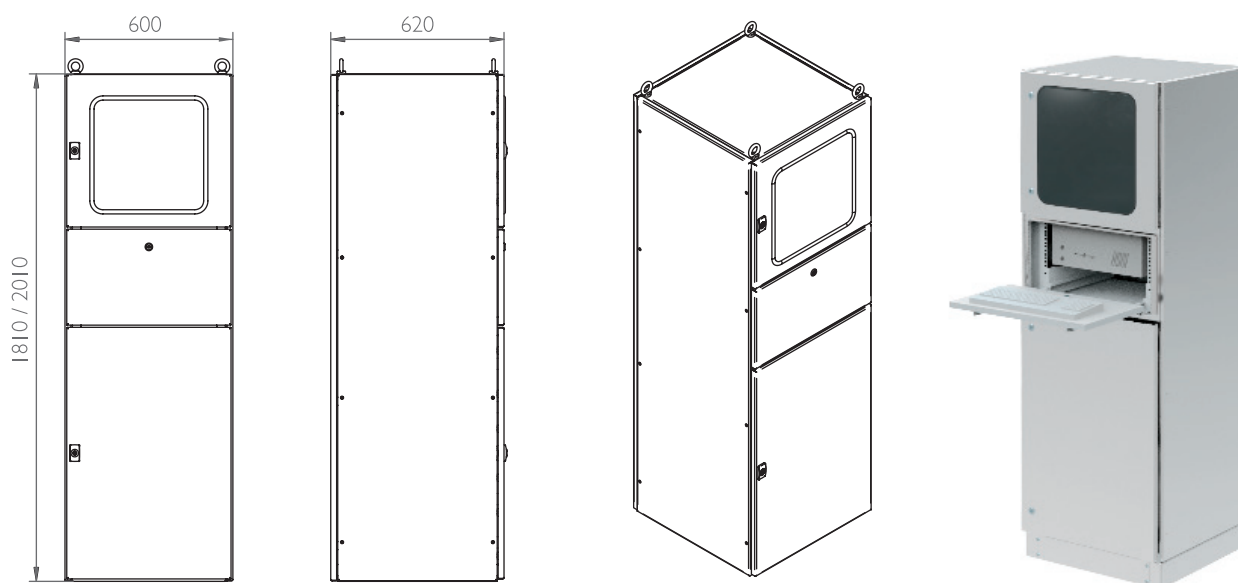
## NORMATIVE

- IP65 Norm IEC 60529.
- Maximum IK10 resistance Norm IEC 62262.
- Compliant for materials intended to come into contact with food EC 1935/2004.
- RoHs compliant.
- Built to CE standards. 2014/35/UE.



## PLAN AND REFERENCES

[CLICK HERE TO DOWNLOAD THE FILES CAD - PLANS - CERTIFICATES](#)



REFERENCES	DIMENSIONS (mm)		
REFERENCES	HEIGHT	WIDTH	DEPTH
MVAG186060	1810	600	620
MVAG206060	2010	600	620

# STAINLESS STEEL PC COMPACT ENCLOSURE IP65

## Protects Against Dust, Dirt and Moisture



Example

➔ [FOR MORE INFORMATION CLICK HERE](#)

## ADVANTAGES

**10**  
YEARS  
ANTICORROSIVE  
GUARANTEE

**5**  
YEARS  
MECHANICAL PARTS  
GUARANTEE

- With transparent door for monitor
- Perfect for integration into machinery
- Great mechanical properties and high resistance to torsion
- Protect tip from dust, moisture and dirt
- With injected water repellent seal so that moisture can't be accumulate

## NORMATIVE

- IP65 Norm IEC 60529.
- Maximum IK10 resistance Norm IEC 62262.
- Built to CE standards. 2014/35/UE.

PC compact enclosure designed for industrial environments with dust, dirt and moisture, made of stainless steel AISI 304L.

For a stylish and functional computer, this design allows you to keep the computer and its peripherals, in perfect condition in manufacturing plants and it can be integrated seamlessly to machines.

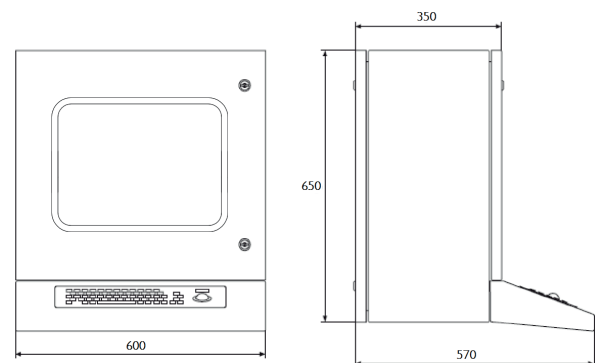
## APPLICATIONS

Our compact enclosures for PC given its design, nish and seal are specially designed for industrial, manufacturing and processing plants, as well as more jobs specially for industrial workshops, warehouses, production lines, with machines, tools...

## OPTIONS

- Custom made based on your needs
- Special paintwork and designs by request.
- Stainless steel AISI 316L, EN 14404.
- Fan.

## PLAN AND REFERENCES



REFERENCES	DIMENSIONS (Mm)
MVAN656035	650 x 600 x 570/350

## STAINLESS STEEL CONSOLE RIVIERA SERIES IP66



Examples



### Strength and Durability

Riviera Console Series, elegant, functional consoles manufactured in finely polished AISI 304L, EN14306 stainless steel, easily accessed, with a design which allows for IP55 protection in two doors and IP66 for one door maximum resistance of IK10.

Top door with shock absorbers which make opening easier; with dismountable bottom and hidden hinges throughout. It comes with a galvanized mounting plate. Its drainage channels ensure liquids don't come into contact with the polyurethane joint sealings. Front door opening to 130° making easy access.

→ [FOR MORE INFORMATION CLICK HERE](#)



# STAINLESS STEEL CONSOLE RIVIERA SERIES IP66

## APPLICATIONS

Officially approved for food, chemical, pharmaceutical, transformer and telecommunication industries for use both inside and outside, due to its advantages of high resistance to chemical agents and its durability.



## NORMATIVE

- From IP55 to IP66 (W) Norm IEC EN 62208 EN 60529.
- DIN EN ISO 14159 Machine safety – hygiene requirements pertaining to the design of machinery.
- Machinery Directive 2006/42/EC. Food machinery and cosmetic or pharmaceutical production.
- EHEDG Guideline Hygienic Design doc.13 machinery for open processes.
- DIN EN 1672-2-2005 for food industry machinery.
- Maximum IK10 resistance Norm IEC 62208 and EN 50102.
- Our electrical panels are built to CE standards 2014/35/UE.
- Comply with rules on materials intended to come into contact with food EC 1935/2004.
- RoHs compliant.
- Maximum voltage 1000V.
- Temperature resistant: -40°C +100°C (short time +160°C).
- Option silicone gasket: from -60°C to +180°C (short time up to +350°C).

## ADVANTAGES

- Spacious assembly area giving great accessibility.
- Great external strength.
- Door opens to 130°.
- Standard quarter-turn double bit fasteners.
- Perfect sealing thanks to gaskets used in the joints.
- Great versatility, enables its use in almost any eld.
- Delvalle supplies any measurements required including custom built holes and cut outs both for the door and enclosure.
- Wide variety of accessories
- Top door with shock absorbers
- Front door opens to 130°
- Total accessibility
- Stainless steel AISI 304L or AISI 316L

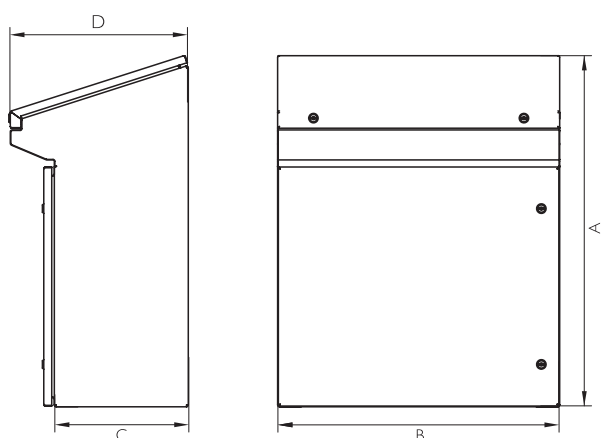
## OPTIONS

- Custom made based on your needs.
- Up to IP69K -DIN 40050-9.
- Plinths/base.
- All types of ventilation and temperature control.
- Cable entry cover in front door.
- Metal leg or wheels.
- Transparent polycarbonate or tempered glass door (no IP69K).
- Manufactured in stainless steel AISI 316L. EN 14404.
- Mounting plate insulator (bakelite) or stainless steel.
- EMC version according to 2014/30/UE of electromagnetic compatibility.
- Option painted galvanized steel finish in RAL 7035 or another color.

# STAINLESS STEEL CONSOLE RIVIERA SERIES IP66

## PLAN

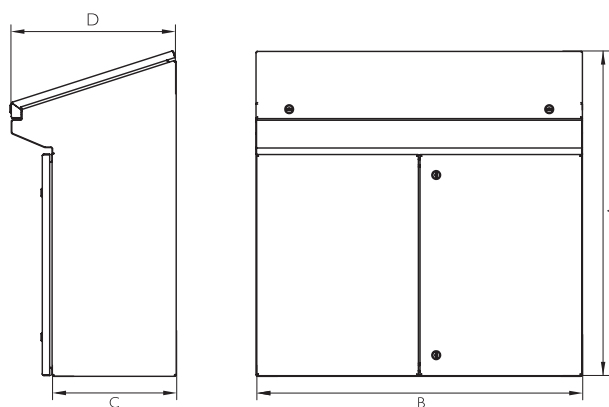
→ [CLICK HERE TO DOWNLOAD THE FILES CAD - PLANS - CERTIFICATES](#)



Console  
Riviera  
2 doors



Console  
Riviera  
3 doors



## REFERENCES

REFERENCES	DIMENSIONS (mm)				
CONSOLE	N° DOORS	HEIGHT - A -	WIDTH - B -	DEPTH - C -	DEPTH - D -
MVPA106038	2	1000	600	380	500
MVPA108038	2	1000	800	380	500
MVPA101038	3	1000	1000	380	500
MVPA101238	3	1000	1200	380	500
MVPA101438	3	1000	1400	380	500
MVPA101638	3	1000	1600	380	500
Version IP69K	Add "/69" to the reference. Ex: "MVPA106038/69"				

REFERENCES	DIMENSIONS (mm)		
SOCLE	HEIGHT - A -	WIDTH - B -	DEPTH - C -
MVZA106038	100	600	380
MVZA206038	200	600	380
MVZA108038	100	800	380
MVZA208038	200	800	380
MVZA101038	100	1000	380
MVZA201038	200	1000	380
MVZA101238	100	1200	380
MVZA201238	200	1200	380
MVZA101438	100	1400	380
MVZA201438	200	1400	380
MVZA101638	100	1600	380
MVZA201638	200	1600	380

**10**  
YEARS  
STAINLESS  
ANTICORROSIVE  
GUARANTEE

**5**  
YEARS  
MECHANICAL PARTS  
GUARANTEE



# REINFORCED ELECTRICAL ENCLOSURE IP66



Example

## More Resistance Tanks to Structural Reinforcement for Maximum Durability

Reinforced electrical enclosure, single or double door; manufactured in stainless steel AISI 304L - EN 1.4306 finely polished, to IP55 or IP66. The design with structural reinforcements and special hinges on high resistance doors, allows our reinforced electrical cabinets to resist large weights both on the structure and on the doors, whilst also housing heavy elements inside.

The reinforced enclosures have been vigorously tested and have withstood tests for the strongest seismic activity, offering the customer high level protection and they can be installed outdoors, with vandal proof duraluminium lever lock.

The reinforced enclosure is provided with exterior plastic protection which prevents scratches when handling and positioning the automats inside the cabinet and this cover can be easily removed at the customer's premises.



[FOR MORE INFORMATION CLICK HERE](#)



# REINFORCED ELECTRICAL ENCLOSURE IP66

## APPLICATIONS

- Ideal for naval and marine industry, due to his high resistance.
- Reinforced electrical enclosure suitable for telecommunication equipment.



## FEATURES

- Broad assembly area with great accessibility.
- Great strength as a whole.
- Standard with toggle clasp made of stainless steel.
- Door opens to 120°, standard door opening to the left specify for a right side.
- Great versatility, so it can be applied to almost any field.
- Delvalle supplies any measurements required including custom built holes and cut outs both for the door and enclosure.
- Distributed load 1000 kg.

## NORMATIVE

- IP66 (W) Norm IEC EN 62208 EN 60529.
- Maximum IK10 resistance Norm IEC 62208 and EN 50102
- Our electrical panels are built to CE standards 2014/35/UE.
- RoHs compliant.
- UL approval Nema 4x, 12, 3r, 1. N° File E342220.
- Maximum voltage 1000V.
- Temperature resistant: -40°C +100°C (short time +160°C).
- Option silicone gasket: from -60°C to +180°C (short time up to +350°C).

## OPTIONS

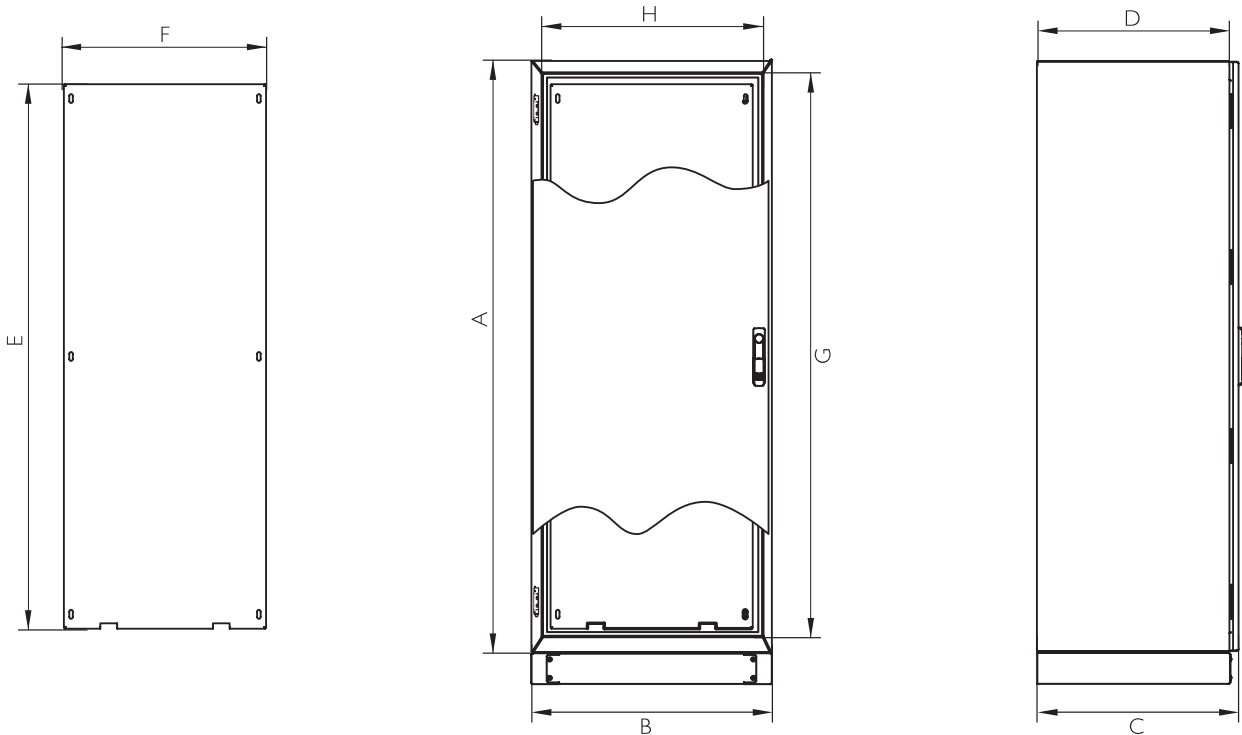
- Custom made based on your needs.
- Plinths/base
- All types of ventilation and climate control.
- Cable entry cover.
- Manufactured in painted galvanized steel.
- Manufactured in stainless steel AISI 316L.
- Mounting plate insulator (bakelite) or stainless steel.



# REINFORCED ELECTRICAL ENCLOSURE IP66

## PLAN I DOOR

➔ [CLICK HERE TO DOWNLOAD THE FILES CAD - PLANS - CERTIFICATES](#)



## REFERENCES I DOOR

These references belong to the model of stainless steel AISI 304L, if you want painted galvanized steel, replace "MVAC" of the reference principle with "MVGC". Ex: MVGC166040R.

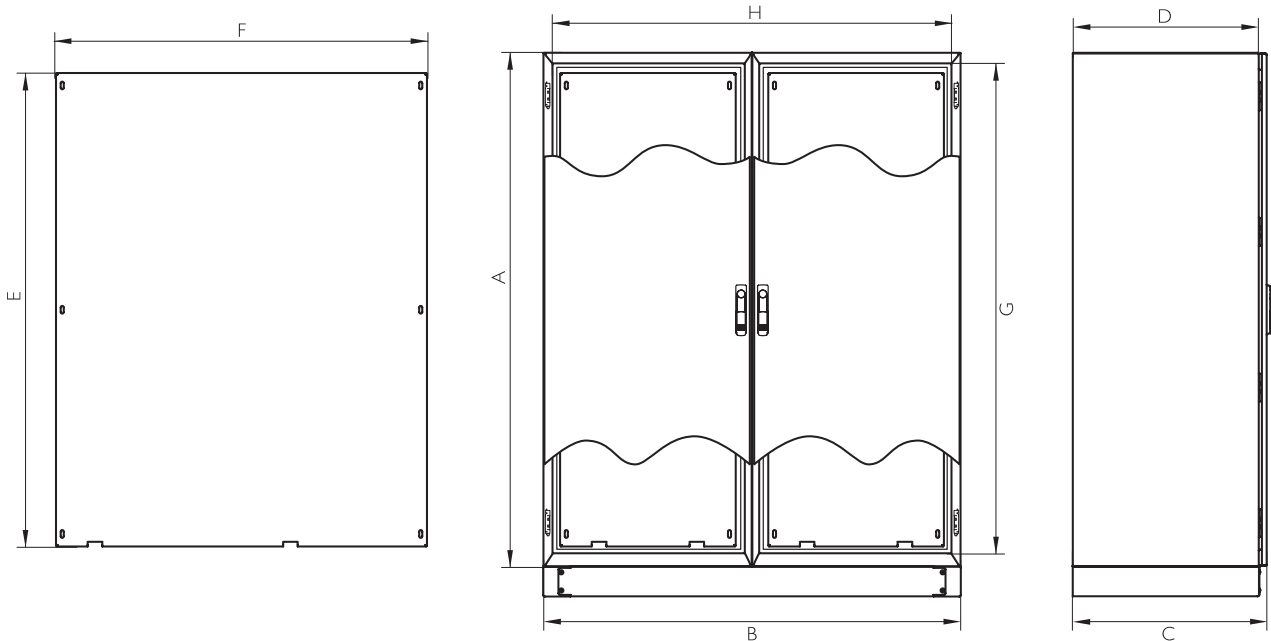
REFERENCES	DIMENSIONS (mm)							
BLIND DOOR	HEIGHT - A -	WIDTH - B -	DEPTH - C -	INSIDE HEIGHT - G -	INSIDE WIDTH - H -	INSIDE DEPTH - D -	MACHINABLE SIDE AREA (F-15 mm by each side)	PLATE MEASURE- MENT -ExF-
MVAC166040R	1650	600	400	1540	490	375	355	1520x470
MVAC168040R	1650	800	400	1540	690	375	355	1520x670
MVAC161040R	1650	1000	400	1540	890	375	355	1520x870
MVAC186040R	1800	600	400	1690	490	375	355	1670x470
MVAC188040R	1800	800	400	1690	690	375	355	1670x670
MVAC186050R	1800	600	500	1690	490	475	455	1670x470
MVAC188050R	1800	800	500	1690	690	475	455	1670x670
MVAC181040R	1800	1000	400	1690	890	375	355	1670x870
MVAC181050R	1800	1000	500	1690	890	475	455	1670x870
MVAC206040R	2000	600	400	1890	600	375	355	1870x470
MVAC208040R	2000	800	400	1890	800	375	355	1870x670
MVAC208050R	2000	800	500	1890	800	475	455	1870x670
MVAC201040R	2000	1000	400	1890	890	375	355	1870x870
MVAC201050R	2000	1000	500	1890	890	475	455	1870x870
Version: Normative UL Nema 4x, 12, 3r and I				Add "UL" to the reference. Ex "MVAC166040RUL"				
Version: Stainless steel AISI 316L				Add "_6" to the reference. Ex "MVAC166040R_6"				

Separation depth plate 20mm

# REINFORCED ELECTRICAL ENCLOSURE IP66

## PLAN 2 DOORS

➔ [CLICK HERE TO DOWNLOAD THE FILES CAD - PLANS - CERTIFICATES](#)



## REFERENCES 2 DOORS

These references belong to the model of stainless steel AISI 304L, if you want painted galvanized steel, replace "MVAC" of the reference principle with "MVGCC". Ex: MVGCC161240DR

REFERENCES		DIMENSIONS (mm)						
BLIND DOOR	HEIGHT - A -	WIDTH - B -	DEPTH - C -	INSIDE HEIGHT - G -	INSIDE WIDTH - H -	INSIDE DEPTH - D -	MACHINABLE SIDE AREA (F-15 mm by each side)	PLATE MEASUREMENT -ExF-
MVAC161240DR	1650	1200	400	1540	1090	375	355	1520x1070
MVAC181240DR	1800	1200	400	1690	1090	375	355	1670x1070
MVAC181250DR	1800	1200	500	1690	1090	475	455	1670x1070
MVAC201240DR	2000	1200	400	1890	1090	375	355	1870x1070
MVAC201250DR	2000	1200	500	1890	1090	475	455	1870x1070
MVAC201440DR	2000	1400	400	1890	1290	375	355	1870x1270
MVAC201450DR	2000	1400	500	1890	1290	475	455	1870x1270
MVAC201640DR	2000	1600	400	1890	1490	375	355	1870x1470
MVAC201650DR	2000	1600	500	1890	1490	475	455	1870x1470
Version: Normative UL, Nema 4x, 12, 3r and I				Add "UL" to the reference. Ex "MVAC161240DRUL"				
Version: Stainless steel AISI 316L				Add "_6" to the reference. Ex "MVAC161240DR_6"				

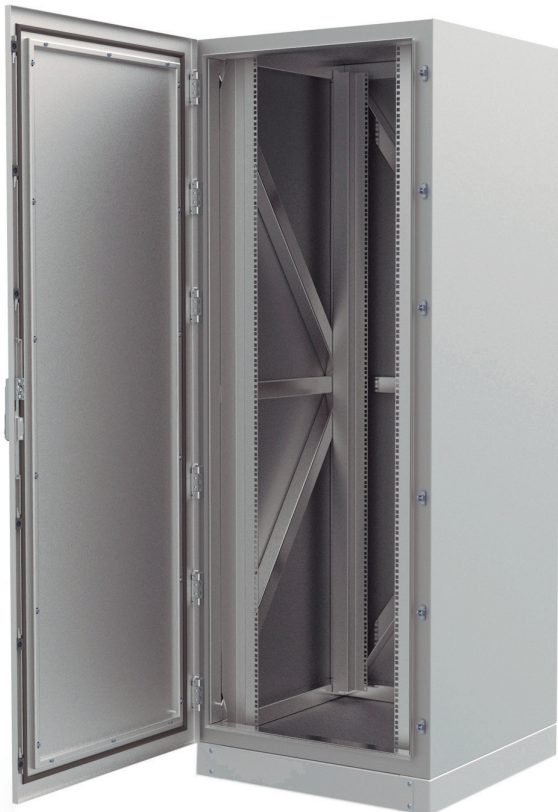
Separation depth plate 20mm



# SEISMIC REINFORCED ELECTRICAL ENCLOSURE IP66



Examples



## More Resistance Tanks to Structural Reinforcement for Maximum Durability

Seismic reinforced enclosure, single or double door, manufactured in stainless steel AISI 304L - EN 1.4306 finely polished, to IP55 or IP66. The design with structural reinforcements and special hinges on high resistance doors, allows our reinforced electrical cabinets to resist large weights both on the structure and on the doors, whilst also housing heavy elements inside. The seismic enclosures have been vigorously tested and have withstood tests for the strongest seismic activity, offering the customer high level protection in areas where seismic activity is a possibility. They can be installed outdoors, with vandal proof duraluminium lever lock. The seismic reinforced enclosure is provided with exterior plastic protection which prevents scratches when handling and positioning the automats inside the cabinet. This cover can be easily removed at the customer's premises. Optionally rack mountable panel.

➔ [FOR MORE INFORMATION CLICK HERE](#)

## ADVANTAGES

- Broad assembly area with great accessibility.
- Great strength as a whole.
- Door opens to 120°, standard door opening to the left specify for a right side.
- Standard with toggle clasp made of stainless steel.
- Great versatility, so it can be applied to almost any field.
- Delvalle supplies any measurements required including custom built holes and cut outs both for the door and enclosure.
- Distributed load 1000 kg.

# SEISMIC REINFORCED ELECTRICAL ENCLOSURE IP66

## APPLICATIONS

Specially designed for areas where they will be subject to constant vibration or high seismic stress.

## OPTIONS

- Rack systems.
- Up to IP69K -DIN 40050-9.
- Custom made based on your needs.
- Plinths/base
- All types of ventilation and climate control.
- Cable entry cover.
- Manufactured in painted galvanized steel.
- Manufactured in stainless steel AISI 316L.
- Mounting plate insulator (bakelite) or stainless steel.
- EMC version according to EEC 2014/30/UE of electromagnetic compatibility.



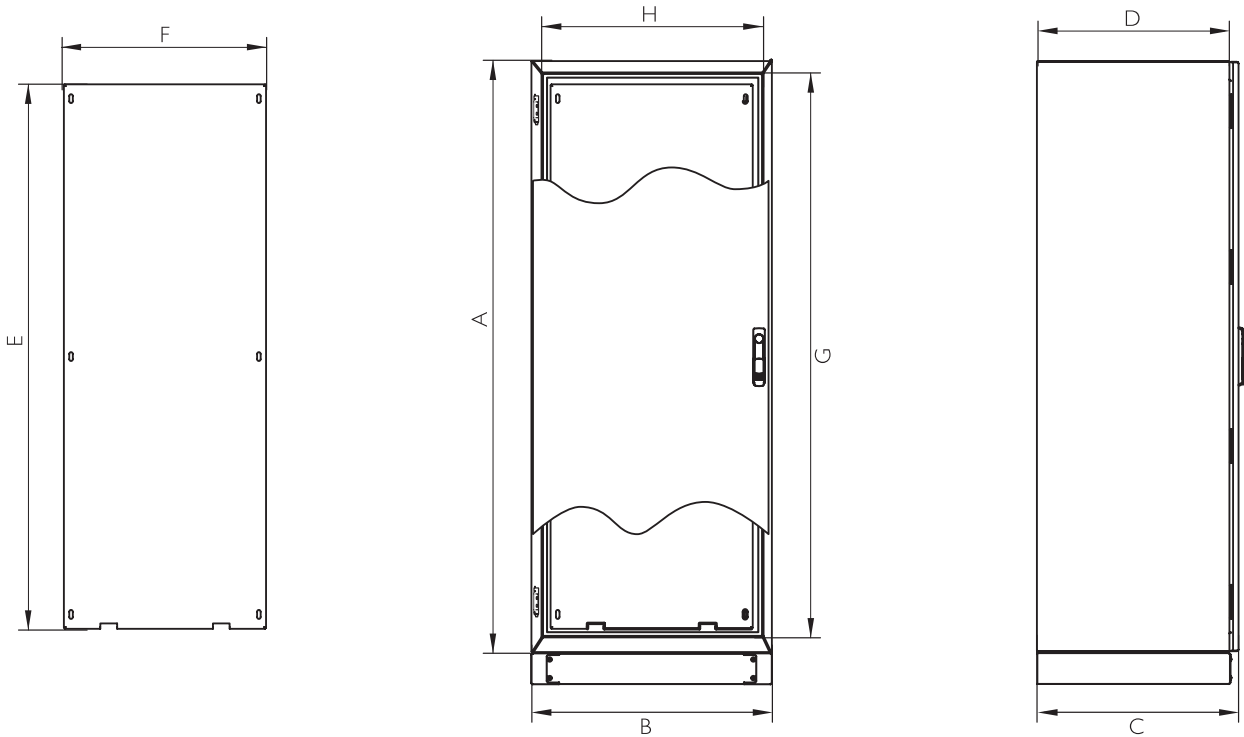
## NORMATIVE

- IEEE STD 693.
- IEC 61587-2.
- Telcordia GR-63-CORE (Bellcore).
- DIN EN/IEC 60068-3-3.
- Seismic qualification specification certificates 8484-CE-005-E.
- Norm UNE EN 60068-3-3 Environment at and seismic testing methods.
- Norm IEEE-344, Institute of American electrical and electronic Engineers. RoHs compliant.
- Regulations Board of the Nuclear Security.
- IP66 (W) Norm IEC EN 62208 EN 60529.
- Maximum IK10 resistance Norm IEC 62208 and EN 50102
- Our electrical panels are built to CE standards 2014/35/UE.
- RoHs compliant.
- UL approval Nema 4x, 12, 3r, 1. N° File E342220.
- Maximum voltage 1000V.
- Temperature resistant: -40°C +100°C (short time +160°C).
- Option silicone gasket: from -60°C to +180°C (short time up to +350°C).

# SEISMIC REINFORCED ELECTRICAL ENCLOSURE IP66

## PLAN I DOOR

[CLICK HERE TO DOWNLOAD THE FILES CAD - PLANS - CERTIFICATES](#)



## REFERENCES I DOOR

These references belong to the model of stainless steel AISI 304L, if you want painted galvanized steel, replace "MVAC" of the reference principle with "MVGC". Ex: MVGC I 66040SI.

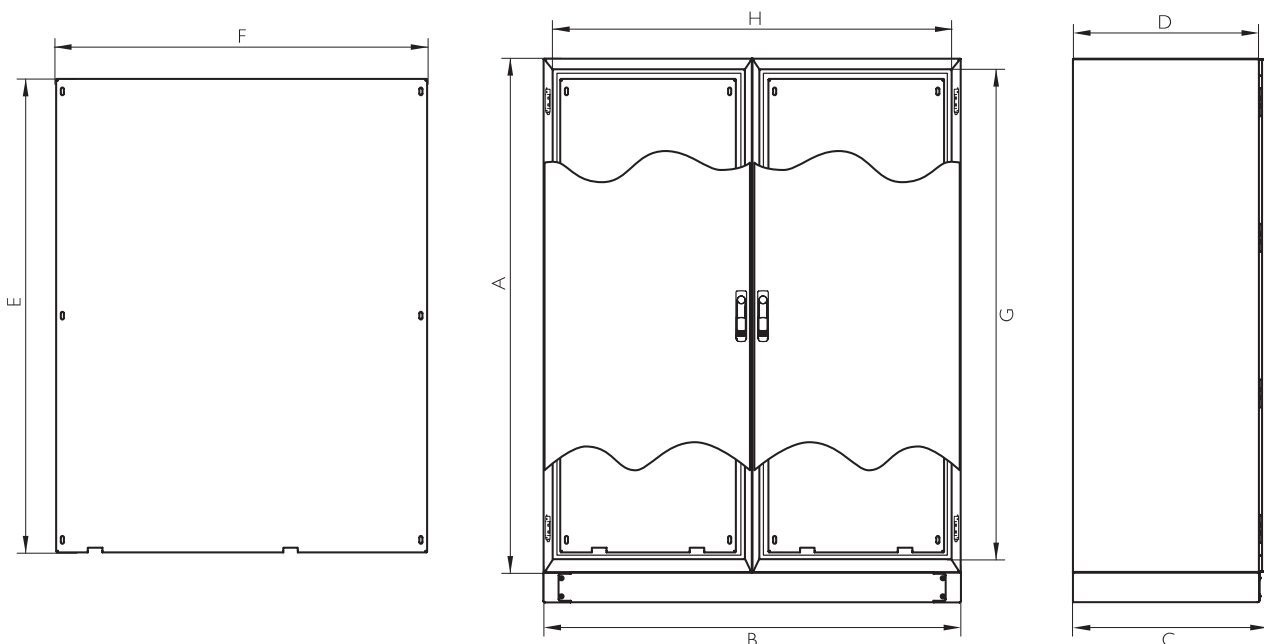
REFERENCES	DIMENSIONS (mm)							
BLIND DOOR	HEIGHT - A -	WIDTH - B -	DEPTH - C -	INSIDE HEIGHT - G -	INSIDE WIDTH - H -	INSIDE DEPTH - D -	MACHINABLE SIDE AREA (F-15 mm by each side)	PLATE MEASURE- MENT -ExF-
MVAC I 66040SI	1650	600	400	1540	490	375	355	1520x470
MVAC I 68040SI	1650	800	400	1540	690	375	355	1520x670
MVAC I 61040SI	1650	1000	400	1540	890	375	355	1520x870
MVAC I 86040SI	1800	600	400	1690	490	375	355	1670x470
MVAC I 88040SI	1800	800	400	1690	690	375	355	1670x670
MVAC I 86050SI	1800	600	500	1690	490	475	455	1670x470
MVAC I 88050SI	1800	800	500	1690	690	475	455	1670x670
MVAC I 81040SI	1800	1000	400	1690	890	375	355	1670x870
MVAC I 81050SI	1800	1000	500	1690	890	475	455	1670x870
MVAC206040SI	2000	600	400	1890	600	375	355	1870x470
MVAC208040SI	2000	800	400	1890	800	375	355	1870x670
MVAC208050SI	2000	800	500	1890	800	475	455	1870x670
MVAC201040SI	2000	1000	400	1890	890	375	355	1870x870
MVAC201050SI	2000	1000	500	1890	890	475	455	1870x870
Version: Normative UL Nema 4x, 12, 3r and I				Add "UL" to the reference. Ex "MVAC I 66040SIUL"				
Version: Stainless steel AISI 316L				Add "_6" to the reference. Ex "MVAC I 66040SI_6"				

Separation depth plate 20mm

# SEISMIC REINFORCED ELECTRICAL ENCLOSURE IP66

## PLAN 2 DOORS

[CLICK HERE TO DOWNLOAD THE FILES - CAD - PLANS - CERTIFICATES](#)



## REFERENCES 2 DOORS

These references belong to the model of stainless steel AISI 304L, if you want painted galvanized steel, replace "MVAC" of the reference principle with "MVGC". Ex: MVGC161240DSI

REFERENCES	DIMENSIONS (mm)							
BLIND DOOR	HEIGHT - A -	WIDTH - B -	DEPTH - C -	INSIDE HEIGHT - G -	INSIDE WIDTH - H -	INSIDE DEPTH - D -	MACHINABLE SIDE AREA (F-15 mm by each side)	PLATE MEASURE- MENT -ExF-
MVAC161240DSI	1650	1200	400	1540	1090	375	355	1520x1070
MVAC181240DSI	1800	1200	400	1690	1090	375	355	1670x1070
MVAC181250DSI	1800	1200	500	1690	1090	475	455	1670x1070
MVAC201240DSI	2000	1200	400	1890	1090	375	355	1870x1070
MVAC201250DSI	2000	1200	500	1890	1090	475	455	1870x1070
MVAC201440DSI	2000	1400	400	1890	1290	375	355	1870x1270
MVAC201450DSI	2000	1400	500	1890	1290	475	455	1870x1270
MVAC201640DSI	2000	1600	400	1890	1490	375	355	1870x1470
MVAC201650DSI	2000	1600	500	1890	1490	475	455	1870x1470
Version: Normative UL, Nema 4x, 12, 3r and I				Add "UL" to the reference. Ex: "MVAC161240DSIUL"				
Version: Stainless steel AISI 316L				Add "_6" to the reference. Ex: "MVAC161240DSI_6"				

Separation depth plate 20mm





## BOXES AND ENCLOSURES FOR PNEUMATIC CONTROL IP66



Examples



### Get All the Safety and Guarantee you Need

We design and manufacture customized boxes and cabinets for pneumatic control (empty) in stainless steel or galvanize according to specifications required by the electro-pneumatic assembler.

Its design is practical and elegant at the same time, in other words it gives an image of quality and safety.

In the upper section of this cabinet you can place pressure gauges, flowmeters or other controls in which its necessary to

Regarding the interior design we have thought in a galvanized or stainless steel plate so valves, electro pneumatic actua Delvalle has thought of assembler in shaping our cabinet that is characterized by its functional and compact design, with We manufacture stainless steel pneumatic cabinets anticorrosive and weatherproof for areas of high dirt or corrosion.



[FOR MORE INFORMATION CLICK HERE](#)

### NORMATIVE

- IP66 (W) Norm IEC EN 62208 and EN 60529.
- Maximum IK10 resistance Norm IEC 62208 and EN 50102.
- Our electrical panels are built to CE standards. 2014/35/UE.
- Temperature resistant: -40°C +100°C.

### ADVANTAGES

- Pneumatic control cabinets.
- Assembly and supply of centralized lubrication cabinets.
- Boxes for pressure gauges, flowmeters power and temperature systems.
- Pneumatic enclosures and instrumentation.
- Hydraulic power units.
- Up to IP69K -DIN 40050-9.

# STAINLESS STEEL CONTROL BOX AND ROTATING ARM

## COBRA SERIES IP66



Model A (square corners)



Model B (rounded corners)

### Specially Designed for Placing Screens, Push Buttons, ...

The control boxes (or operating terminals) combine design with functionality and versatility.

They are used to install screens, pushbuttons, computers and HMI, which are placed at machine-level operation. This way you have a better handling of the machine.

They have a strong stainless steel pipes system, with rotating elements made in cast aluminum (high resistance RAL 9011). They enable the panel to be placed on the position required by the controller.

Control boxes are completely made in A304L stainless steel, with the option of A316L stainless steel AISI 316L for the most demanding areas.

Boxes can be manufactured in two models: square corners (model A) and rounded corners (model B).

Control boxes have an easily removable lid with thickness of 2mm that allows access inside the box.

➔ [FOR MORE INFORMATION CLICK HERE](#)

### APPLICATIONS

Control boxes are designed to install screens, HMI, pushbuttons, and any element needed for an easier handling of the machine. They are placed at machine-level operation thanks to the arm-support system.

Easy handling of machines for the food, pharma and packaging industries.

## STAINLESS STEEL CONTROL BOX AND ROTATING ARM **COBRA SERIES** IP66

### ADVANTAGES

- Easy installation of components on both types (A and B).
- IP66 protection thanks to the injected gasket on the lid.
- Option of manufacturing it in A316L stainless steel
- High mobility with the arm-support system.
- Custom-made manufacturing: every size available and the option to make the holes to install the components.

### NORMATIVE

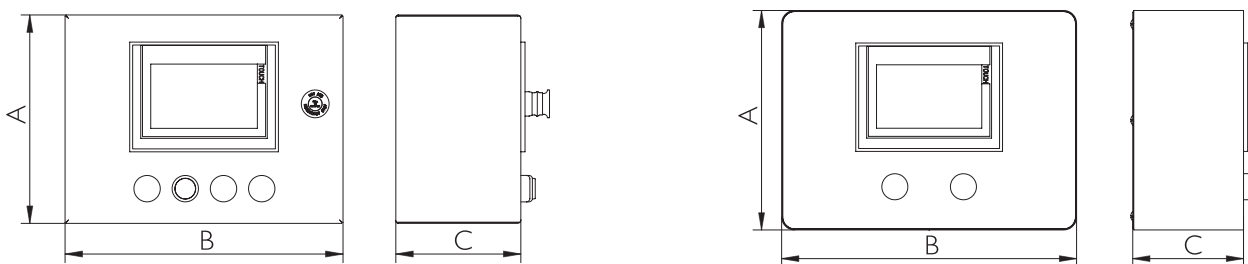
- Up to IP66 (W) according to IEC 60529.
- IK10 impact resistance according to IEC 62262.
- Manufactured according to directive 2014/35/UE.
- Manufactured according to RoHS standard.

### OPTIONS

- Manufacturing in A316L stainless steel (EN 1.4404)
- Two models: square corners and rounded corners.
- Up to IP69K -DIN 40050-9.
- Blind lid, transparent lid (polycarbonate) or transparent lid (tempered glass).
- Supports for an easy movement of the box.
- Arm-support system: straight arm, L-shaped, U-shaped and Z-shaped.
- Option of manufacturing the box on a stainless steel pedestal.
- Option of locks: frontal locks or side locks (only available in the square-corner type, model A).
- EMC version according to 2014/30/UE of electromagnetic compatibility.

### PLAN AND REFERENCES

➔ [CLICK HERE TO DOWNLOAD THE FILES CAD - PLANS - CERTIFICATES](#)



MODEL A SQUARE CORNERS			
REFERENCES	DIMENSIONS		
	HEIGHT - A -	WIDTH - B -	DEPTH - C -
MVCR233316A	230	330	160
MVCR332316A	330	230	160
MVCR324316A	320	430	160
MVCR433216A	430	320	160
MVCR404016A	400	400	160
MVCR386016A	380	600	160
MVCR603816A	600	380	160

MOVABLE ARM (MODELS)		
STRAIGHT	L - SHAPED	U - SHAPED
MVBR01	MVBR02	MVBR03
X≥150mm	X≥150mm Y≥150mm (Op. 1) Y=75mm (Op. 2)	X≥150mm Y≥150mm Z≥150mm (Op. 1) Z=120mm (Op. 2)

MODEL B ROUNDED CORNERS			
REFERENCES	DIMENSIONS		
	HEIGHT - A -	WIDTH - B -	DEPTH - C -
MVCR233316B	230	330	160
MVCR332316B	330	230	160
MVCR324316B	320	430	160
MVCR433216B	430	320	160
MVCR404016B	400	400	160
MVCR386016B	380	600	160
MVCR603816B	600	380	160

# ANTI-DUST SYSTEM FOR ELECTRICAL ENCLOSURES

## DUSTY SERIES



Examples



**The Pressure is Monitored  
Constantly**

The Dusty Pressurization Series is designed for environments full of dirt, airborne dust, and for installation in corrosive environments.

Our enclosures system AISI 304 or 316 with the pressurization system prevents the damages to the electrical components produced by the gases or environmental powder. This is an economic system, 100 % reliable , it doesn't requires any maintenance and lengthens the life of electronic components installed inside the cabinet with a 100% guarantee.

The removal of these gases or dust inside the cabinets extends the life by protecting the electrical or electronic components inside, avoiding stops and new costs on replacing the electronics, so we get an economic system. Forget complex systems and incorporate the latest technology. The system can be placed indoors and outdoors and can be adapt to all our enclosures.

➔ [FOR MORE INFORMATION CLICK HERE](#)



## ANTI-DUST SYSTEM FOR ELECTRICAL ENCLOSURES **DUSTY SERIES**

### HOW IT WORK?

It is a system that only requires an air's compressed system connected to the grid or an inert gas. The pressure inside the cabinet will be above ambient so it is impossible the access of particles and gases, this means to improve the lifetime of electronic components.

The "Dusty" system maintains a constant pressure 1.24 mbar inside the cabinet. The pressure is constantly monitored. These systems developed by Delvalle are the most reliable on the market, and we have appropriate systems for each application. The enclosure system has a manual pressure regulator up to 5 psi, and a constant pressure meter which facilitates the security reading and control of pressurized enclosure.

**Remark: This system is NOT suitable for hard and aggressive areas, to consult these areas, we have another system called Peppex Series.**



STAINLESS  
ANTICORROSIVE  
GUARANTEE



MECHANICAL PARTS  
GUARANTEE

### REFERENCES

REFERENCES	DESCRIPTION
DST100	Dusty System with regulator and pressure signal
DST200	Dusty System with regulator
DST300	Dusty System with regulator, pressure signal and safety valve
DST400	Dusty System with regulator and safety valve
DST VENT	Safety valve for models DST100 and DST200

### APPLICATIONS

- Areas with a lot of airborne dust
- Areas with high environmental corrosion
- Areas with fiberglass dust
- Laboratories
- Where a flameproof product is essential
- Offshore
- Paper industry
- Timber
- Mining

### NORMS

- To IP65 (IP55 two doors) Norm IEC 60529.
- Maximum IK10 resistance Norm IEC 62262.
- Manufactured following EU low voltage ruling 2014/35/UE.
- Materials intended to come into contact with food EC 1935/2004.
- RoHs compliant.
- UL approval Nema 4x, 12, 3r, 1. N° File E342220.
- Maximum voltage 1000 V.
- Temperature resistant: -40°C +100°C (short time +160°C).

[CLICK HERE TO DOWNLOAD THE FILES CAD - PLANS - CERTIFICATES](#)



# ELECTRICAL ENCLOSURES FOR RENEWABLE ENERGIES

## SUNBOX LUXOR SERIES IP66



Examples



### Perfect Sealing and Maximum Resistance

Electrical enclosures for renewable energies Sunbox manufactured in stainless steel AISI 304L.

Robust, developed and designed for outdoor use and more specifically for installations with extreme climatic conditions, such as solar or wind parks ensuring maximum resistance thanks to the stainless steel which it is manufactured with and greatly appreciated in Delvalle's experience with the major brands.

The cabinet is specifically approved for use in solar power systems, designed in one piece monobloc, which provides excellent protection for inside electrical and electronic components

Also it has IP66 sealing and IK10 maximum possible resistance.

→ [FOR MORE INFORMATION CLICK HERE](#)

### APPLICATIONS

Our Sunbox Series enclosure given its design, finishing and sealing is specially designed for solar photovoltaic, thermal, wind installations and outdoor areas with extreme climatic conditions of rain, wind, dust and corrosion.

### OPTIONS

- Custom made based on your needs.
- Available with two doors (from 800x600).
- 170° hinge that allows maximum opening for easy access to the cabinet without removing the door.
- Up to IP69K -DIN 40050-9.
- Supports for a quick installation.
- Manufactured in stainless steel AISI 316L. EN 14404.
- Mounting plate insulator (bakelite) or stainless steel.
- EMC version according to 2014/30/UE of electromagnetic compatibility.

## FEATURES

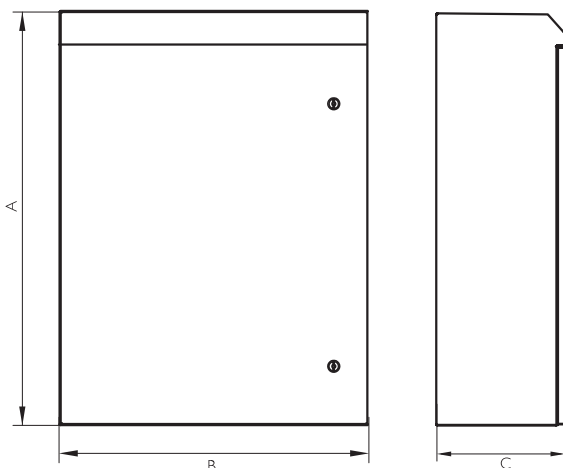
- Supplied covered in protective film which prevents scratches and abrasions during handling.
- The manufacture of the stainless steel monobloc gives perfect sealing and maximum resistance.
- Injected waterproof seal, so moisture can't accumulate.
- Automatic condensation disposal to its unique design.
- The standard control panel comes with double-bit 90° locking handles made of stainless steel.
- Maintenance free for life. Working life of over 30 years.
- Delvalle supplies any measurements required including custom built holes and cut outs both for the door and enclosure.

## NORMATIVE

- IP66 (W) rule EN 62208 and EN 60529.
- Maximum IK10 resistance Norm IEC 62208 and EN 50102.
- IEC 60068-2-30 & IEC 60068-2-11.
- Manufactured following EU low voltage ruling 2014/35/UE.
- Compliant RoHS Directive 2011/65/UE.
- UL approval Nema 4x, 12, 3r, 1. N° File E342220.
- Maximum voltage 1000V.
- Temperature resistant: -40°C +100°C (short time +160°C).
- Option silicone gasket: from -60°C to +180°C (short time up to +350°C).
- Complies to all rulingz for materials intended to come into contact with food EC 1935/2004.

## PLAN AND REFERENCES

➔ [CLICK HERE TO DOWNLOAD THE FILES CAD - PLANS - CERTIFICATES](#)

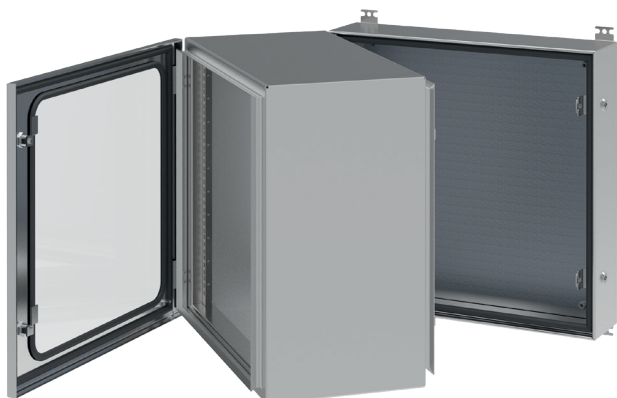


REFERENCES		DIMENSIONS (mm)		
BLIND DOOR	POLYCARBONATE DOOR	HEIGHT -A-	WIDTH -B-	DEPTH -C-
MVAK383015	MVAK383015T	380	300	155
MVAK404021	MVAK404021T	400	400	210
MVAK505021	MVAK505021T	500	500	210
MVAK604021	MVAK603815T	600	400	210
MVAK705021	MVAK705021T	700	500	210
MVAK606021	MVAK606021T	600	600	210
MVAK806030	MVAK806030T	800	600	300
MVAK808030	MVAK808030T	800	800	300
MVAK108030	MVAK108030T	1000	800	300
MVAK128030	MVAK128030T	1200	800	300
MVAK101030	MVAK101030T	1000	1000	300
Version: Normative UL Nema		Add "UL" to the reference. Ex. "MVAK383015UL"		

# STAINLESS STEEL RACK CABINET SPLIT BODY IP55



Examples



## Available in Any Measure

Divided body stainless steel cabinet painted in RAL 7032 or 7035 with three bodies ideal for electronic components and 19" rack

Fitted with transparent door (Tempered glass or polycarbonate) with an open front and rear to facilitate the assembly of components.

Standard models available from 3UA to 15UA. Taller and larger cabinet sizes available, thus increasing the number of UAS.

Built in compliance with CE regulations.

➔ [FOR MORE INFORMATION CLICK HERE](#)

## ADVANTAGES

- Customised to your measurements.
- Painted in any RAL colour.
- Safety glass door.
- Manufactured in stainless steel AISI 304 or 316, EN-14401.
- EMC protection joint between the frame and the contact surfaces, ensuring perfect electrical connection, 2014/30/UE standard.

## APPLICATIONS

- Weather stations.
- Telecommunications
- Optical fiber.
- Video surveillance,...

## OPTIONS

EMC protection joint between the frame and the contact surfaces, ensuring perfect electrical connection 2014/30/UE standard.



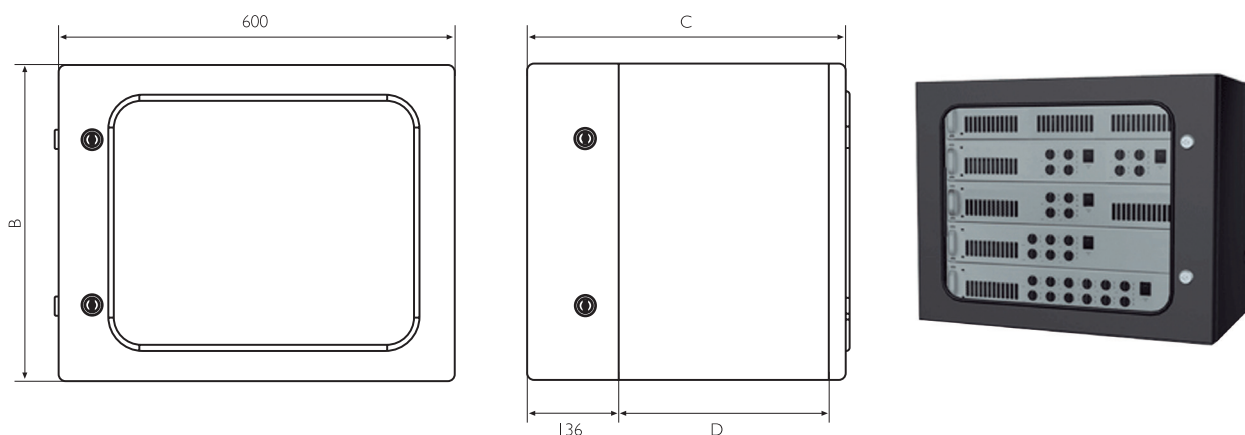
# STAINLESS STEEL RACK CABINET SPLIT BODY IP55

## NORMATIVE

- To IP55 Norm IEC 60529.
- AISI 316, EN-14401.
- Normative CEE 2014/30/UE.
- Fixing of Equipment DIN 41494 and IEC 297 (for 19 ").
- Fixing of IEC 917 Equipment (for ETSI or Metric 515m / m).
- Electromagnetic protection I ECTS 61587-3 (optional).
- Electromagnetic compatibility EMC and RFI (optional).
- Meets normative IEC 61969 Metal structures for electronic equipment in the open air.

## PLAN

[CLICK HERE TO DOWNLOAD THE FILES CAD - PLANS - CERTIFICATES](#)



## REFERENCES

REFERENCES		DIMENSIONS (mm)			
BLIND DOOR	POLYCARBONATE DOOR	B	C	D	U's
MVAE602149	MVAE602149T	212	490	320	3UA
MVAE603449	MVAE603449T	345	490	320	6UA
MVAE604749	MVAE604749T	478	490	320	9UA
MVAE606149	MVAE606149T	612	490	320	12UA
MVAE607449	MVAE607449T	746	490	320	15UA
MVAE602139	MVAE602139T	212	390	220	3UA
MVAE603439	MVAE603439T	345	390	220	6UA
MVAE604739	MVAE604739T	478	390	220	9UA
MVAE606139	MVAE606139T	612	390	220	12UA
MVAE607439	MVAE607439T	746	390	220	15UA

## STAINLESS STEEL FIRE EXTINGUISHER ENCLOSURE IP66



Examples



**The Main Goal of the Fire Extinguisher Enclosure, is to Provide a Quick and Safe Access to the Extinguishing Equipment**

The stainless steel fire extinguisher enclosure IP66(W) is a security equipment to provide a fire extinguisher aimed to users, when they need it in an emergency. Directed to companies such as in food processing, food industry, tunnels,...

It's a perfect equipment when the fire extinguisher needs to be sealed from the outside to avoid dust and contamination. The main goal of the fire extinguisher enclosure, is to provide a quick and safe access to the extinguishing equipment, before such emergency, with a sloping roof design that avoids the placement on top of materials and bacteria. The quick access is made with two T closures.

➔ [FOR MORE INFORMATION CLICK HERE](#)

### APPLICATIONS

- Food processing industry
- Tunnel
- White rooms
- Oil & Gas industry
- Petrochemistry
- Industry
- Food industry

# STAINLESS STEEL FIRE EXTINGUISHER ENCLOSURE IP66

## FEATURES

- Opening of the door at 120 °. Standard opening to the left.
- Transparent polycarbonate door, self-extinguishing according to the fire.
- The fire extinguisher enclosure is a security equipment which has a bracket to support the fire extinguisher. This bracket is secured to the plate to allow a quick use of the extinguishing equipment.
- The fire extinguisher enclosure is installed in enabled tunnel's areas to host the security equipment.
- The sloping roof made design avoids the placement objects on the top of the box. It's has a polished surface finish in vertical direction. The design also avoids the proliferation problems caused from bacteria and virus in the box's surface.
- Hygienic store and water protection.
- It's possible to visualize the security equipment because of the transparent glass screen.
- Fast door access, caused by the two T closures, which allow an easy and simple operation.
- IP66(W) protection.
- It's advisable the use of wall supports.



## OPTIONS

- Custom made based on your needs.
- Manufactured in stainless steel AISI 316L EN 14404.
- Transparent glass door.
- It's possible to be wider for two fire extinguishers.
- Up to IP69K -DIN 40050-9.



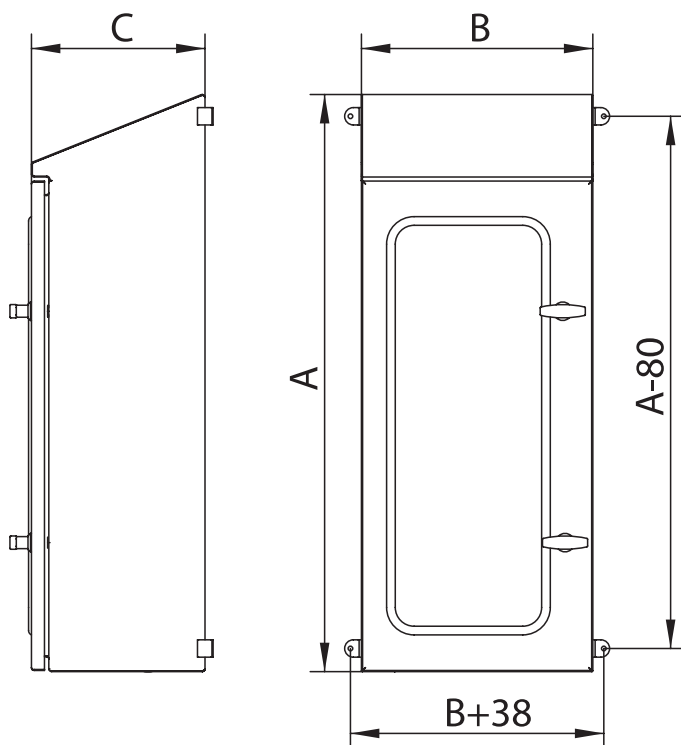
# STAINLESS STEEL FIRE EXTINGUISHER ENCLOSURE IP66

## NORMATIVE

- IP66(W) by IEC 60529 rule.
- DIN EN ISO 14 159 Hygienic security to set up the machine function.
- Food industry machine directive (2006/42/CE).
- EHEDG Guideline Hygienic Design apart. 13 of devices for open processes.
- DIN EN 1672-2:2006 Machinery requirements for the food industry.
- Impact resistance IK10, IEC62262.
- Obey with RoHs regulations.
- Food industry rules, materials which are in contact with food (CE 1935/2004).
- Obey with low tension directive 2014/35/UE.
- UL Nema 4x, 12, 3r and I certificate upon request. N° File E342220.
- Maximum voltage 1000 V.
- Temperature resistance: From -40 °C to +100 °C (reduced exposure +160 °C).
- Silicone gasket is optional: From -60 °C to +180 °C (reduced exposure +350 °C).

## PLAN AND REFERENCES

➔ [CLICK HERE TO DOWNLOAD THE FILES CAD - PLANS - CERTIFICATES](#)

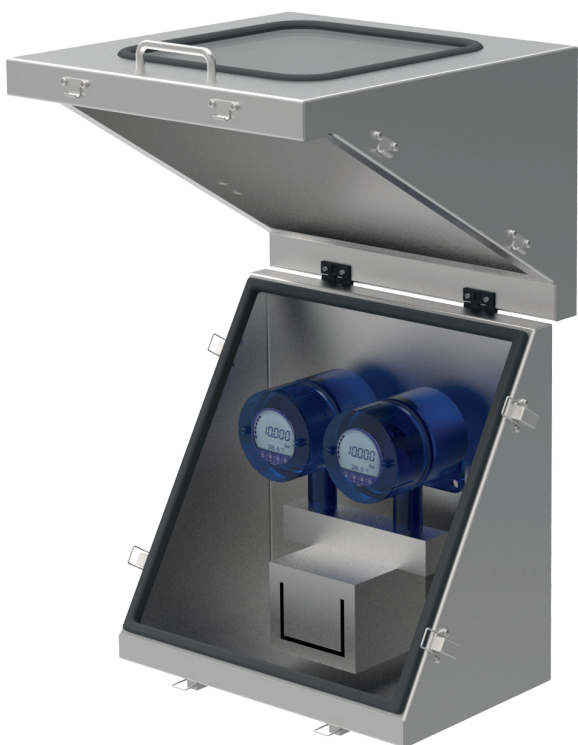


**5**  
YEARS  
MECHANICAL PARTS  
GUARANTEE

**10**  
YEARS  
STAINLESS  
ANTICORROSIVE  
GUARANTEE

REFERENCE	DIMENSIONS (mm)		
STAINLESS STEEL FIRE EXTINGUISHER ENCLOSURE	HEIGHT -A-	WIDTH -B-	DEPTH -C-
MVAJ.XT104030	1000	400	300

# STAINLESS STEEL INSTRUMENT ENCLOSURE RAMBO SERIES IP66



Example

## The Rambo Series Designed for High Integrity Pressure Protection System

Stainless steel instrument enclosures Rambo Series is a specifically designed for “High Integrity Pressure Protection System” applications and “Safety Instrumented System”.

The engineering department of Delvalle is constructing and engineering solutions based upon customer specification. The main function of the modular manifold is to permanently ensure the continuity of information between the process fluid and the pressure sensors. Is a two-part enclosure with a diagonal opening, providing very easy access to field equipment for maintenance. Tube entry is typically made via the rear or the base. There are three sizes, each of which may be installed vertically or horizontally.

When vertically mounted, sizes range from 87 to 190 liters / 3.3 ft<sup>3</sup> to 6.6 ft<sup>3</sup>. Including diverse branches of connectors, cable-glands, terminal junction boxes, heaters, thermostats,...

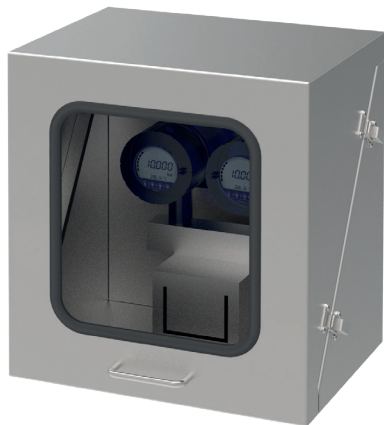
[→ FOR MORE INFORMATION CLICK HERE](#)



## APPLICATIONS

Protect both the manifold itself and the control instrumentation connected to it, specifically in dust and harsh environments, outdoor climate condition (i.e. tropical, freezing, marine areas,...).

- Pressure instruments isolation for HPPS systems.
- Safety instrumented system.
- Instruments enclosures.



## ADVANTAGES

- Cost reduction for the construction of a high-pressure installation.
- Protection of the line from overpressure.
- Reduction of pollutant emissions into the atmosphere due to high-pressure lines.
- Until IP66. Protected from dust that may harm equipment. Protection against low pressure water jets.
- 10 years anticorrosive guarantee and 5 years mechanical parts guarantee.

## OPTIONS

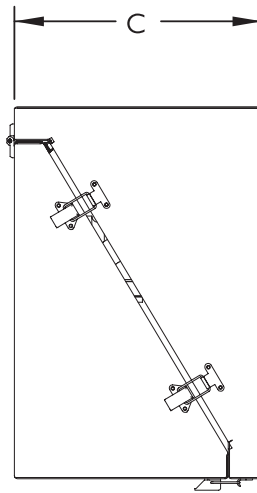
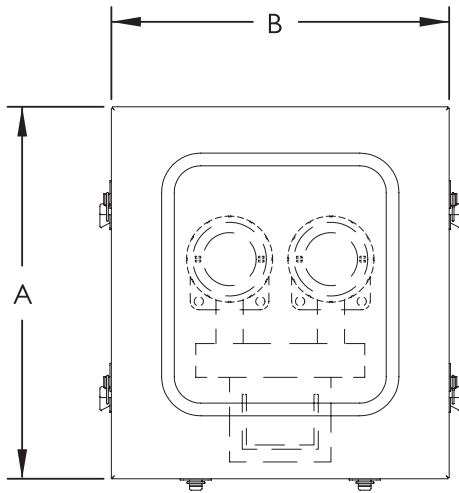
- Custom made based on your needs.
- Manufactured in stainless steel AISI316L EN 14404.
- Option painted galvanized steel finish in RAL 7035 or another color.
- Internal insulation.
- Sunshades.
- Different windows: without windows, with plastic windows or with safety glass windows.
- Options breathing plugs, cable glands and plugs.
- Pedestal stands.
- Wall support.
- Tag plates, AISI 316 / Traffolyte.

## NORMATIVE

- IP66 Norm IEC EN 62208 and EN 60529.
- Maximum IK10 resistance Norm IEC62208 and IEC 62262.
- Manufactured following EU low voltage ruling 2014/35/UE.
- Materials intended to come into contact with food EC 1935/2004.
- Reaction to fire tests – ignitability of products subjected to direct impingement of flame. UNE EN ISO 11925-2:2011.
- Reaction to fire tests for building products, exposed to the thermal attack by a single burning item UNE-EN 13823:2012.
- UV protection.
- RoHs Compliant.

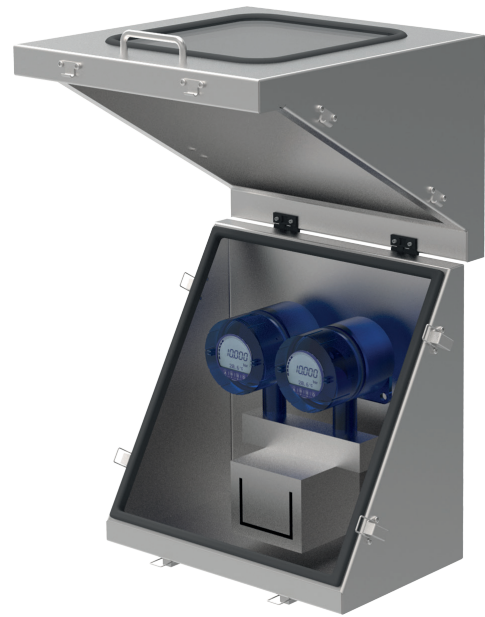
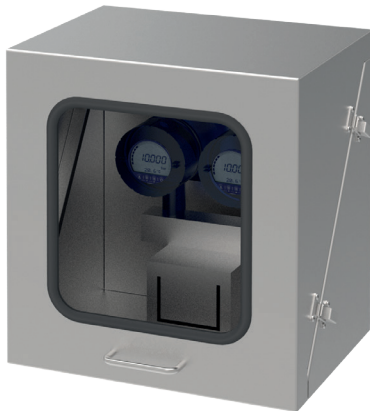
## PLAN

[CLICK HERE TO DOWNLOAD THE FILES CAD - PLANS - CERTIFICATES](#)



**5**  
YEARS  
MECHANICAL PARTS  
GUARANTEE

**10**  
YEARS  
STAINLESS  
ANTICORROSIVE  
GUARANTEE



## REFERENCES

REFERENCES RAMBO	INSTRUMENTS	DIMENSIONS (mm)		
REFERENCES	INTRUMENTS	HIGH - A -	WIDTH - B -	DEPTH - C -
VALV655558T	2	650	550	580
VALV658058T	3	650	800	580
VALV651058T	4	650	1000	580
Version: blind door		Remove the "T" from the reference. Ex: VALV651058		
Version: stainless steel AISI 316		Add "316" to the reference. Ex: VALV651058T/316		

For the option painted galvanized steel finish in RAL 7035 or another color., please contact us.

# CHOOSING THE TYPE OF STAINLESS STEEL

The first thing to be mentioned in comparison to other materials is that stainless steel is over 30% more resistant than iron, plastic or aluminium, and it is the longest lasting of all materials used in the manufacture of electrical enclosures. This also leads to savings due to low maintenance requirements during its working life, over 20 years.

Another of its qualities is its appealing appearance, giving electrical installations an elegant finish. In the case of Delvalle, our unique surface finish prevents bacteria from accumulating on the surface, meaning that this material is ideal for areas where hygiene and cleanliness are essential, such as food, chemical or pharmaceutical industries. Other important features of stainless steel are that it is hydroscopic and highly resistant to fire.

## HOW TO CHOOSE THE RIGHT TYPE OF STAINLESS STEEL

The table below details the types of stainless steel we use and their main application fields, to help you choose the one that best fits your requirements:

### 304L EN 14306 STAINLESS STEEL

This type of stainless steel is resistant to most chemical and organic substances, dyes and a wide range of inorganic chemical substances, nitric acid and sulphuric acid.


It is ideal for making electrical cabinets for:

- Foodstuff and canning companies
- Chemical and petrol installations, nuclear plants and petrol stations
- Solar, thermal and wind power plants
- Wine, oil and agricultural producers
- Beer, milk, juice and wine bottling plants
- Exterior lighting for local councils
- Water treatment plants, fish farms, aquariums, spas, ...
- Transformation and distribution centres
- Car washes, gardening
- Skiing and mountain resorts, farms
- Outdoor gas and electricity meters
- Pharmaceutical industry, cosmetic industry, hospitals
- Telecommunications, cable TV

### 316L EN 14404 STAINLESS STEEL

This type of stainless steel offers the best anti-corrosion properties in environments with chlorine, or marine or tropical environments. It is recommended for use in:

- Maritime
- Naval sector, ships, ...
- Areas with a highly saline atmosphere
- Coastal areas
- Tropical environments
- Chlorine purification plants
- Waste water treatment plants

	INDOOR	OUTDOOR
AGRESSIVE	INOX 316L POLISHEAD	INOX 316L PAINTED
NEUTRAL	INOX 304L POLISHEAD	INOX 304L PAINTED

The darker the shade, the higher the anti-corrosive qualities of the material. Please consult us for details on the most appropriate steel and finish for your project.





# STAINLESS STEEL ELECTRICAL ENCLOSURES



## CUSTOMIZED ENCLOSURE SOLUTIONS DELVALLE

*Delvalle has more than 50 years of experience using the latest technology to implement and obtain the most innovative products on offer to all our customers. Delvalle is an ideal partner, combining an advanced and wide range of products at very competitive prices.*

*The customized manufacture of all electrical enclosures and cabinets Delvallebox is carry out with the most advanced technical methods and with the precision and consciousness of a craftsman. This makes the difference from competitors and is the best way to gain our customers' trust.*

*In Delvallebox we bear in mind that customers perceive the quality very clearly. In every product (for instance, in the cabinets here presented) safety and useful solutions are what customers value most.*



STAINLESS STEEL  
INDUSTRIAL ENCLOSURES



OUTDOOR ELECTRICAL  
ENCLOSURES



GLOBAL ELECTRICAL  
SOLUTIONS FOR URBAN AREAS



GALVANIZED STEEL  
ELECTRICAL ENCLOSURES

# ATEX INDUSTRIAL ENCLOSURES



### SLOPED ROOF ENCLOSURES - HYGIENIC



**INDUSTRIAL ENCLOSURES IP66, IP67, IP68 AND IP69K**

Buy direct from manufacturer of custom made IP66, IP67, IP68 and IP69K heavy duty industrial and waterproof electrical enclosures AISI 304L and 316L made by standard IEC 60529. Delvalle has tested all sizes and dimensions of waterproof enclosures according to EN 60529:2018. All weather resistant enclosures are more than simply rainproof, they meet a minimum of Nema 4X and IP66, IP67, IP68 and IP69k requirements to ensure your electronics are protected. From Junction boxes to industrial enclosures, Delvalle weatherproof enclosures offer a wide range of sizes and styles to keep your project waterproof.



## CLIMATE CONTROL COOLING FOR ENCLOSURES



### CABLE GLANDS FOR ELECTRICAL ENCLOSURES





## **INDUSTRIAL ENCLOSURE SOLUTIONS**



Paso del Prao, 6. 01320 Oyón (Álava). Spain  
Phone +34 945 601 381  
comercial@delvalle.es | [www.delvallebox.com](http://www.delvallebox.com)  
**Contact us, we will be available at any time**