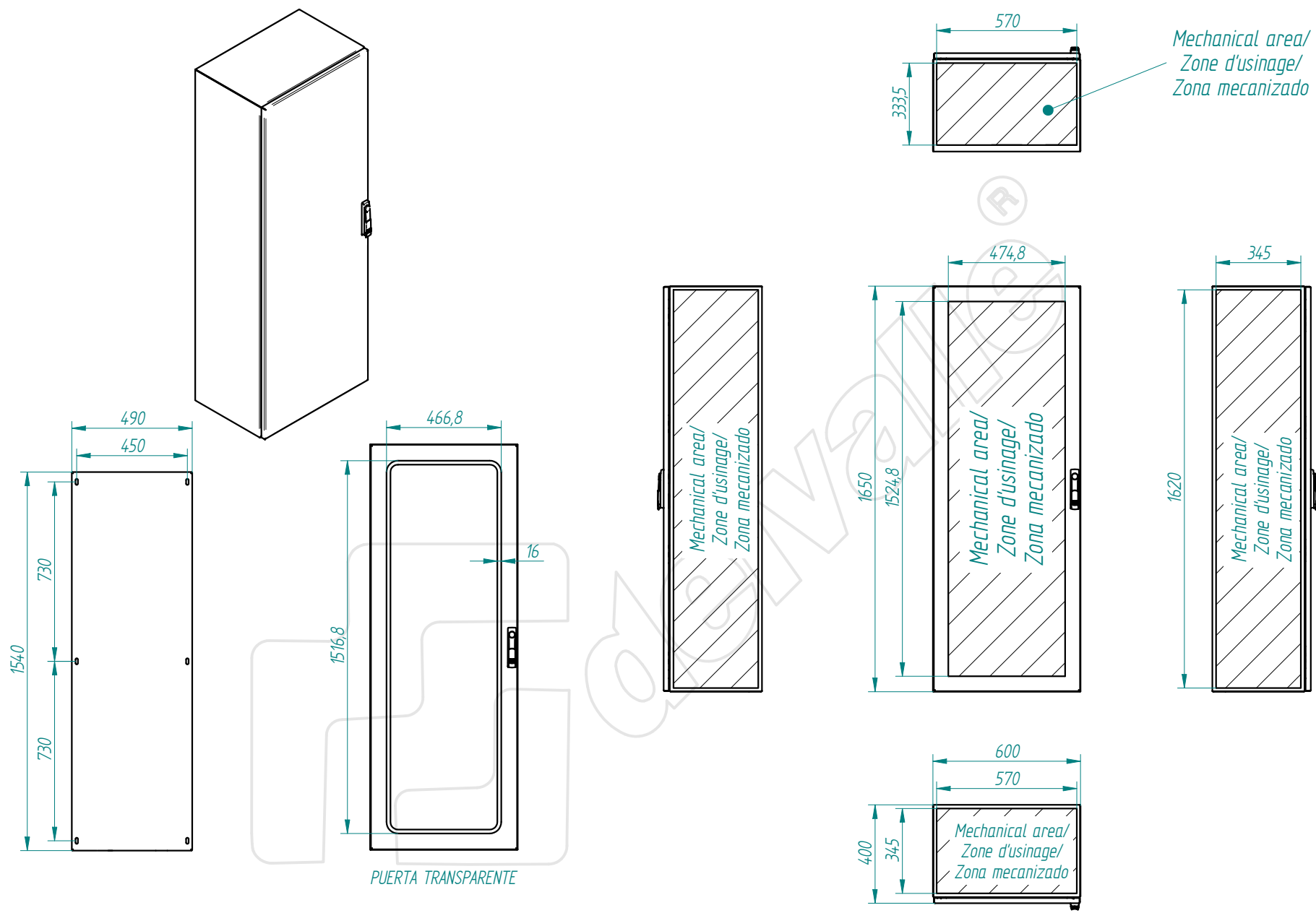

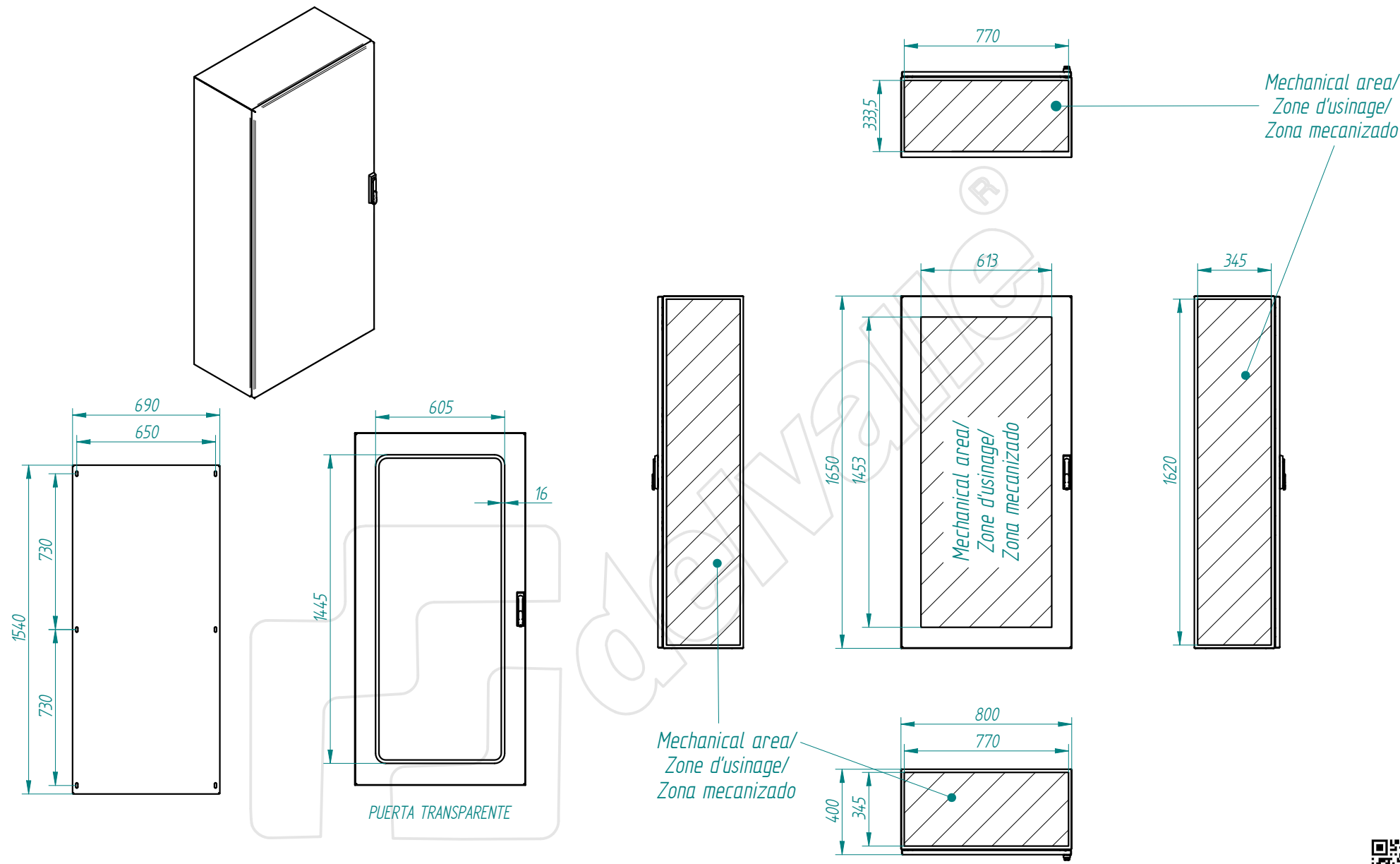



This present document and its contents are confidential and are the exclusive intellectual and / or industrial property of DELVALLE . In addition to any technology, design, invention, work, process, know-how, calculation, manual, method, solution, idea, improvement, drawing, diagram, modification, combination and, in short, any associated information involving industrial or intellectual property developed or supplied by DELVALLE on the occasion of the quote, order execution or incorporated into the design or operation of the supply. The recipient may not use such property in his favour or in that of a third party for purposes other than the fulfilment of the order and the operation and maintenance of the supply, without the prior written consent of DELVALLE. It is strictly forbidden to totally or partially reproduce this document and to misuse it and / or to show it to third parties. The infringing parties shall be required to pay the corresponding compensation for damages, and any other legal or criminal responsibility that the infringement may give rise to.



| | | | | | | | | | | |
|---|------------------------|------------|---------|-----------|---|---------------------------------|------------|------------|------------|--|
| TOLERANCIA GENERAL DE MECANIZACION según DIN 7168 | Creación del documento | 04/04/2022 | D.MTNEZ | A | Referencia: - plegado: - acabado: | DIBUJADO: | 04/04/2022 | FIRMA: | D.Martínez |  Nº PLANO: |
| | MODIFICACIONES | FECHA: | FIRMA: | REVISIÓN: | | APROBADO: | 04/04/2022 | D.Martínez | | |
| DESIGNACIÓN: | | | | | | TRIBECA1P-1650x600x400-estandar | | | | |

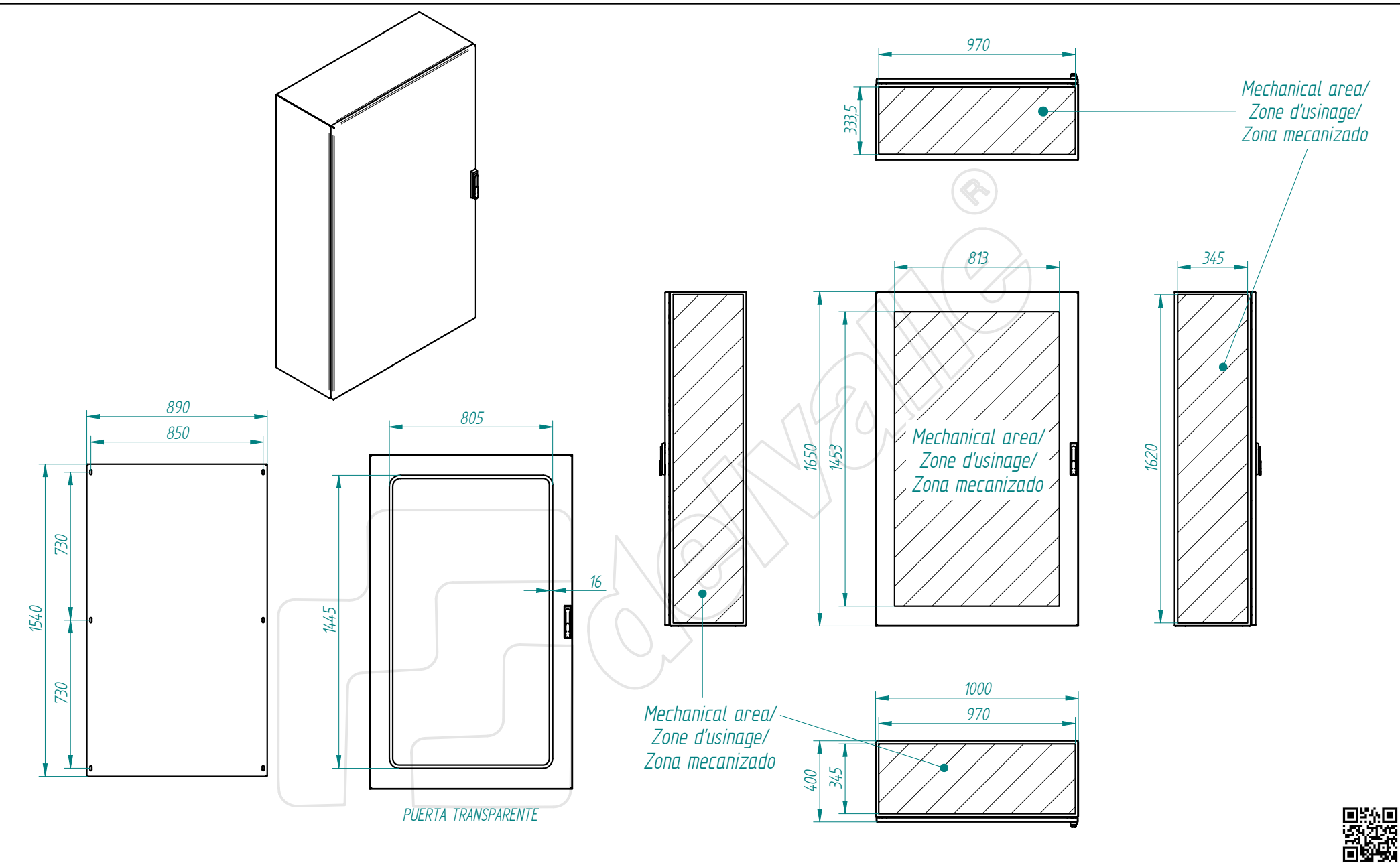
This present document and its contents are confidential and are the exclusive intellectual and / or industrial property of DELVALLE . In addition to any technology, design, invention, work, process, know-how, calculation, manual, method, solution, idea, improvement, drawing, diagram, modification, combination and, in short, any associated information involving industrial or intellectual property developed or supplied by DELVALLE on the occasion of the quote, order execution or incorporated into the design or operation of the supply. The recipient may not use such property in his favour or in that of a third party for purposes other than the fulfilment of the order and the operation and maintenance of the supply, without the prior written consent of DELVALLE. It is strictly forbidden to totally or partially reproduce this document and to misuse it and / or to show it to third parties. The infringing parties shall be required to pay the corresponding compensation for damages, and any other legal or criminal responsible is the infringer may give rise to.




| | | | | | | | | | | |
|---|------------------------|------------|---------|-----------|---|---------------------------------|------------|------------|------------|--|
| TOLERANCIA GENERAL DE MECANIZACION según DIN 7168 | Creación del documento | 04/04/2022 | D.MTNEZ | A | Referencia: - plegado: - acabado: | DIBUJADO: | 04/04/2022 | FIRMA: | D.Martinez |  Nº PLANO: |
| | MODIFICACIONES | FECHA: | FIRMA: | REVISIÓN: | | APROBADO: | 04/04/2022 | D.Martinez | | |
| DESIGNACIÓN: | | | | | | TRIBECA1P-1650x800x400-estandar | | | | |



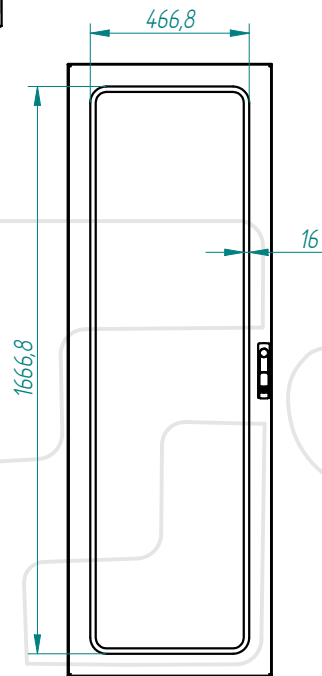
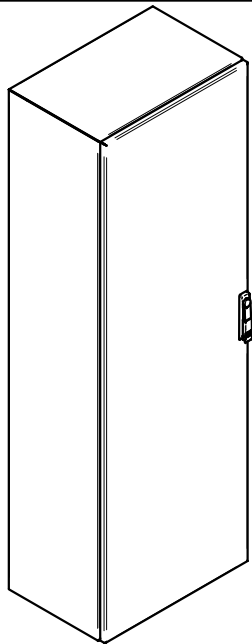
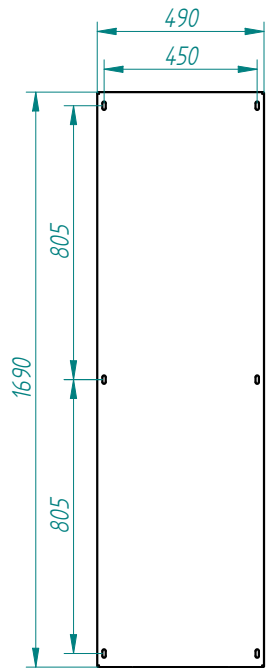
This present document and its contents are confidential and are the exclusive intellectual and / or industrial property of DELVALLE . In addition to any technology, design, invention, work, process, know-how, calculation, manual, method, solution, idea, improvement, drawing, diagram, modification, combination and, in short, any associated information involving industrial or intellectual property developed or supplied by DELVALLE on the occasion of the quote, order execution or incorporated into the design or operation of the supply. The recipient may not use such property in his favour or in that of a third party for purposes other than the fulfilment of the order and the operation and maintenance of the supply, without the prior written consent of DELVALLE. It is strictly forbidden to totally or partially reproduce this document and to misuse it and / or to show it to third parties. The infringing parties shall be required to pay the corresponding compensation for damages, and any other legal or criminal responsibility is the infringement may give rise to.



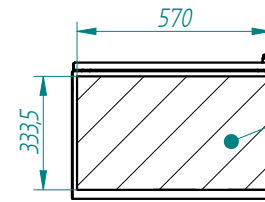
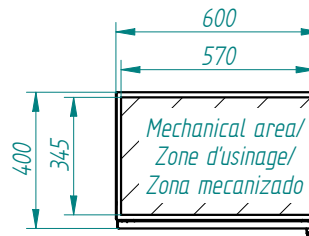
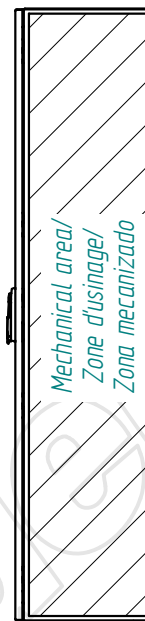
| | | | | | | | | | |
|---|------------------------|------------|---------|-----------|----------------------|--------------|----------------------------------|------------|---|
| TOLERANCIA GENERAL DE MECANIZACION según DIN 7168 | | | | | Referencia: | | FECHA: | FIRMA: |  |
| | | | | | | DIBUJADO: | 04/04/2022 | D.Martínez | |
| | | | | | | APROBADO: | 04/04/2022 | D.Martínez | |
| | Creación del documento | 04/04/2022 | D.MTNEZ | A | - | DESIGNACIÓN: | TRIBECA1P-1650x1000x400-estandar | | Nº PLANO: |
| | MODIFICACIONES | FECHA: | FIRMA: | REVISIÓN: | plegado: acabado: | | | | |



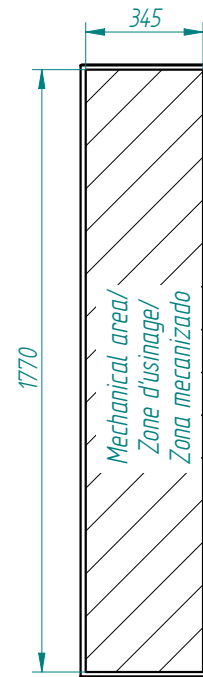
This present document and its contents are confidential and are the exclusive intellectual and / or industrial property of DELVALLE . In addition to any technology, design, invention, work, process, know-how, calculation, manual, method, solution, idea, improvement, drawing, diagram, modification, contribution and, in short, any associated information involving industrial or intellectual property developed or supplied by DELVALLE on the occasion of the quote, order execution or incorporated into the design or operation of the supply. The recipient may not use such property in his favour or in that of a third party for purposes other than the fulfilment of the order and the operation and maintenance of the supply, without the prior written consent of DELVALLE. It is strictly forbidden to totally or partially reproduce this document and to misuse it and / or to show it to third parties. The infringing parties shall be required to pay the corresponding compensation for damages, and any other legal or criminal, responsible for the infringement may give rise to.




PUERTA TRANSPARENTE



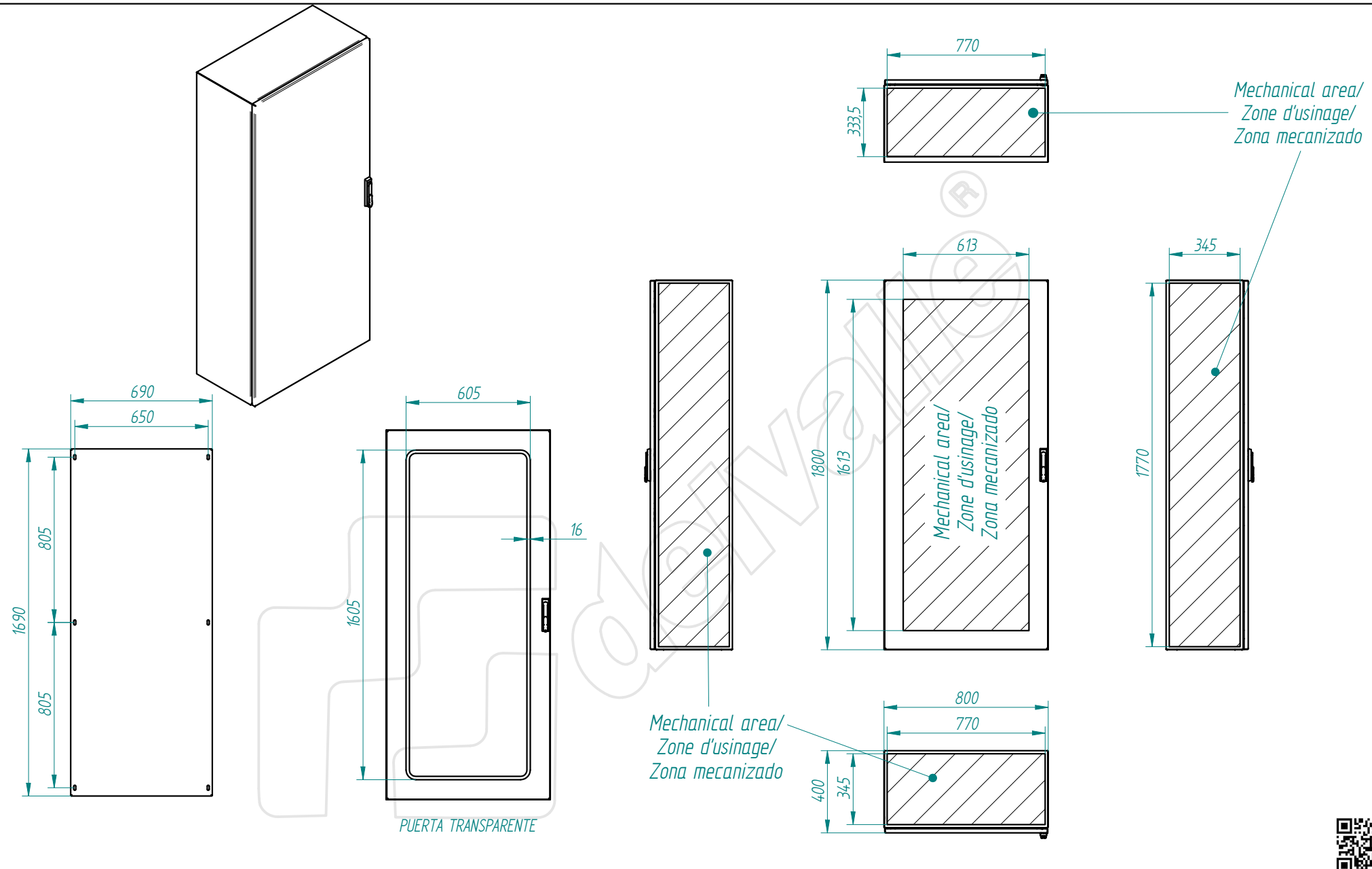
Mechanical area/
Zone d'usinage/
Zona mecanizado




| | | | | | | | | | | |
|---|------------------------|------------|---------|-----------|---|---------------------------------|------------|------------|------------|--|
| TOLERANCIA GENERAL DE MECANIZACION según DIN 7168 | Creación del documento | 04/04/2022 | D.MTNEZ | A | Referencia: - plegado: - acabado: | DIBUJADO: | 04/04/2022 | FIRMA: | D.Martínez |  Nº PLANO: |
| | MODIFICACIONES | FECHA: | FIRMA: | REVISIÓN: | | APROBADO: | 04/04/2022 | D.Martínez | | |
| DESIGNACIÓN: | | | | | | TRIBECA1P-1800x600x400-estandar | | | | |



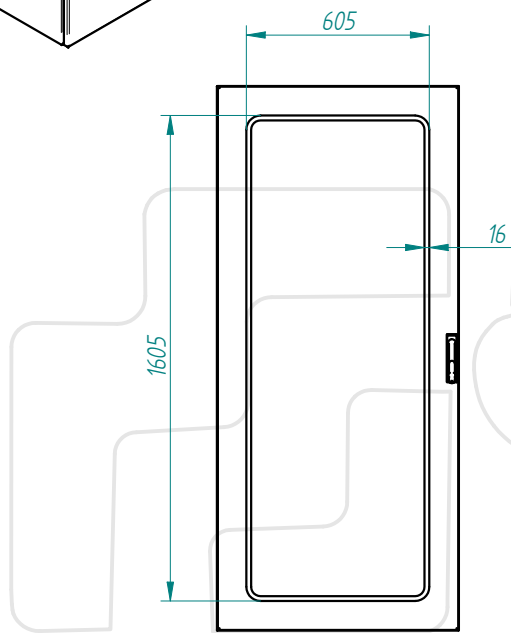
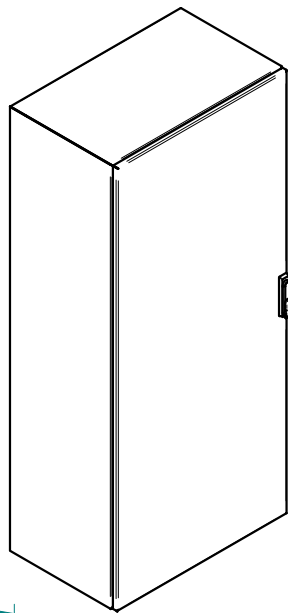
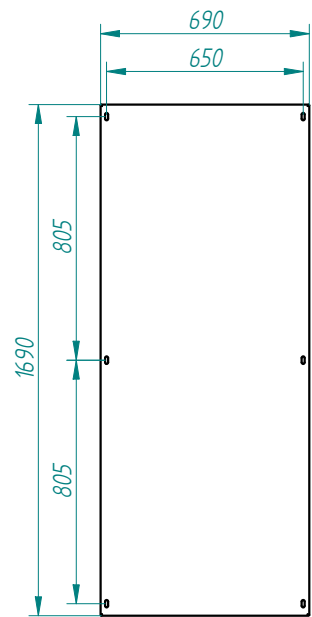
This present document and its contents are confidential and are the exclusive intellectual and / or industrial property of DELVALLE . In addition to any technology, design, invention, work, process, know-how, calculation, manual, method, solution, idea, improvement, drawing, diagram, modification, contribution and, in short, any associated information involving industrial or intellectual property developed or supplied by DELVALLE on the occasion of the quote, order execution or incorporated into the design or operation of the supply. The recipient may not use such property in his favour or in that of a third party for purposes other than the fulfilment of the order and the operation and maintenance of the supply, without the prior written consent of DELVALLE. It is strictly forbidden to totally or partially reproduce this document and to misuse it and / or to show it to third parties. The infringing parties shall be required to pay the corresponding compensation for damages, and any other legal or criminal responsible is the infringement may give rise to.



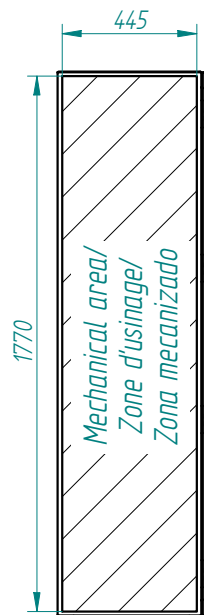
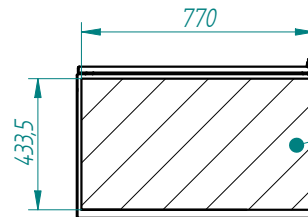
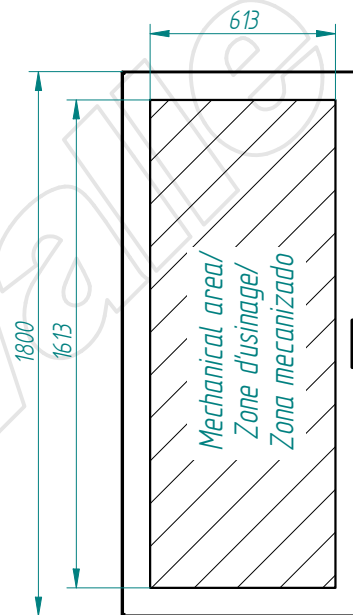
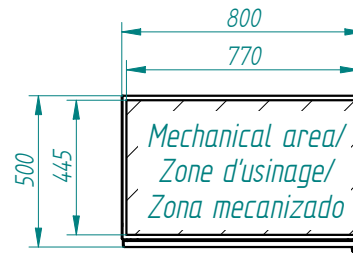
| | | | | | | | | | | |
|---|------------------------|------------|---------|-----------|---|---------------------------------|------------|------------|------------|--|
| TOLERANCIA GENERAL DE MECANIZACION según DIN 7168 | Creación del documento | 04/04/2022 | D.MTNEZ | A | Referencia: - plegado: - acabado: | DIBUJADO: | 04/04/2022 | FIRMA: | D.Martinez |  Nº PLANO: |
| | MODIFICACIONES | FECHA: | FIRMA: | REVISIÓN: | | APROBADO: | 04/04/2022 | D.Martinez | | |
| DESIGNACIÓN: | | | | | | TRIBECA1P-1800x800x400-estandar | | | | |




This present document and its contents are confidential and are the exclusive intellectual and / or industrial property of DELVALLE . In addition to any technology, design, invention, work, process, know-how, calculation, manual, method, solution, idea, improvement, drawing, diagram, modification, combination and, in short, any associated information involving industrial or intellectual property developed or supplied by DELVALLE on the occasion of the quote, order execution or incorporated into the design or operation of the supply. The recipient may not use such property in his favour or in that of a third party for purposes other than the fulfilment of the order and the operation and maintenance of the supply, without the prior written consent of DELVALLE. It is strictly forbidden to totally or partially reproduce this document and to misuse it and / or to show it to third parties. The infringing parties shall be required to pay the corresponding compensation for damages, and any other legal or criminal, responsible for the infringement may give rise to.



PUERTA TRANSPARENTE

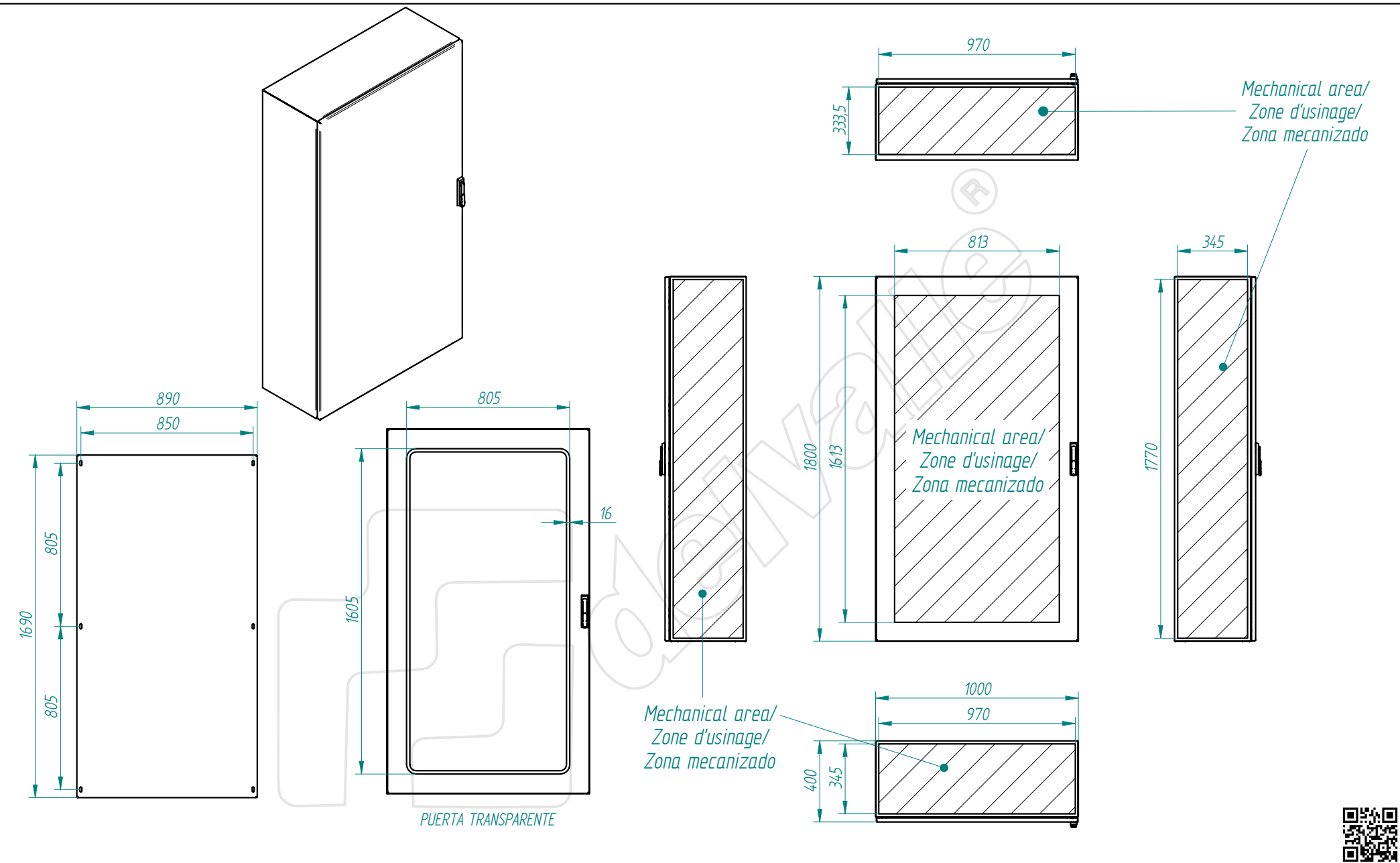


Mechanical area/
Zone d'usinage/
Zona mecanizado


| | | | | | | | | | | |
|---|------------------------|------------|---------|-----------|---|---------------------------------|------------|------------|------------|--|
| TOLERANCIA GENERAL DE MECANIZACION según DIN 7168 | Creación del documento | 04/04/2022 | D.MTNEZ | A | Referencia: - plegado: - acabado: | DIBUJADO: | 04/04/2022 | FIRMA: | D.Martínez |  Nº PLANO: |
| | MODIFICACIONES | FECHA: | FIRMA: | REVISIÓN: | | APROBADO: | 04/04/2022 | D.Martínez | | |
| DESIGNACIÓN: | | | | | | TRIBECA1P-1800x800x500-estandar | | | | |



This present document and its contents are confidential and are the exclusive intellectual and / or industrial property of DELVALLE . In addition to any technology, design, invention, work, process, know-how, calculation, manual, method, solution, idea, improvement, drawing, diagram, modification, combination and, in short, any associated information involving industrial or intellectual property developed or supplied by DELVALLE on the occasion of the quote, order execution or incorporated into the design or operation of the supply. The recipient may not use such property in his favour or in that of a third party for purposes other than the fulfilment of the order and the operation and maintenance of the supply, without the prior written consent of DELVALLE. It is strictly forbidden to totally or partially reproduce this document and to misuse it and / or to show it to third parties. The infringing parties shall be required to pay the corresponding compensation for damages, and any other legal or criminal responsible for the infringement may give rise to.

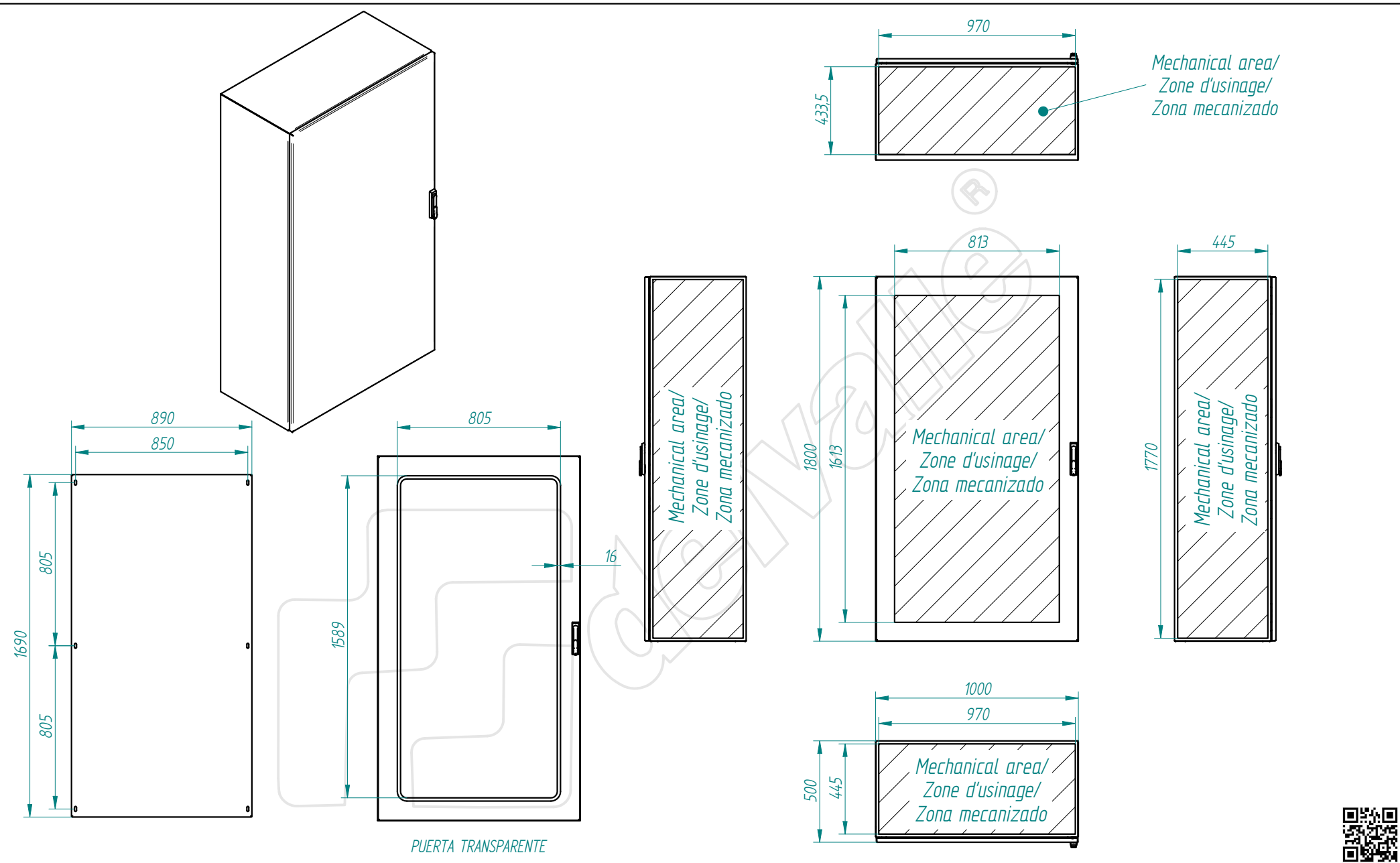



PUERTA TRANSPARENTE

| | | | | | | | | | | |
|---|--|------------|---------|-----------|---|-----------|------------|------------|------------|--|
| TOLERANCIA GENERAL DE MECANIZACION según DIN 7168 | Creación del documento | 04/04/2022 | D.MTNEZ | A | Referencia: - plegado: - acabado: | DIBUJADO: | 04/04/2022 | FIRMA: | D.Martinez |  N° PLANO: |
| | MODIFICACIONES | FECHA: | FIRMA: | REVISIÓN: | | APROBADO: | 04/04/2022 | D.Martinez | | |
| | DESIGNACIÓN: TRIBECA1P-1800x1000x400-estandar | | | | | | | | | |



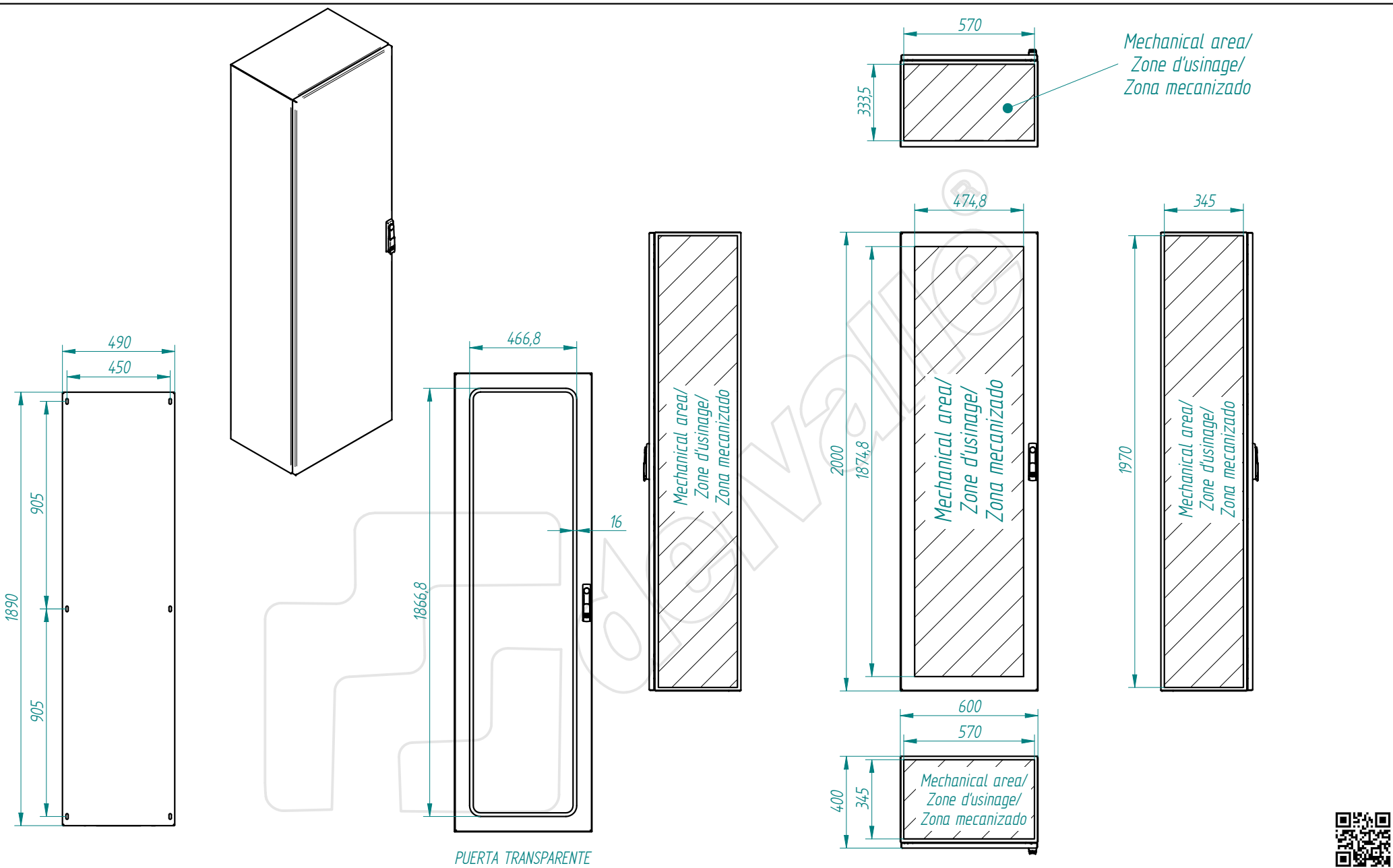
This present document and its contents are confidential and are the exclusive intellectual and / or industrial property of DELVALLE. In addition to any technology, design, invention, work, process, know-how, calculation, manual, method, solution, idea, improvement, drawing, diagram, modification, combination and, in short, any associated information involving industrial or intellectual property developed or supplied by DELVALLE on the occasion of the quote, order execution or incorporated into the design or operation of the supply. The recipient may not use such property in his favour or in that of a third party for purposes other than the fulfilment of the order and the operation and maintenance of the supply, without the prior written consent of DELVALLE. It is strictly forbidden to totally or partially reproduce this document and to misuse it and / or to show it to third parties. The infringing parties shall be required to pay the corresponding compensation for damages, and any other legal or criminal responsible. The infringement may give rise to.




| | | | | | | | | | | |
|---|------------------------|------------|---------|-----------|---------------------------------------|----------------------------------|------------|------------|--------------|---|
| TOLERANCIA GENERAL DE MECANIZACION según DIN 7168 | Creación del documento | 04/04/2022 | D.MTNEZ | A | Referencia: - plegado: acabado: | DIBUJADO: | 04/04/2022 | FIRMA: | D.Martínez |  |
| | MODIFICACIONES | FECHA: | FIRMA: | REVISIÓN: | | APROBADO: | 04/04/2022 | D.Martínez | DESIGNACIÓN: | |
| | | | | | | TRIBECA1P-1800x1000x500-estandar | | | | |



This present document and its contents are confidential and are the exclusive intellectual and / or industrial property of DELVALLE. In addition to any technology, design, invention, work, process, know-how, calculation, manual, method, solution, idea, improvement, drawing, diagram, modification, combination and, in short, any associated information or documentation involving industrial or intellectual property developed or supplied by DELVALLE on the occasion of the quote, order execution or incorporated into the design or operation of the supply. The recipient may not use such property in his favour or in that of a third party for purposes other than the fulfilment of the order and the operation and maintenance of the supply, without the prior written consent of DELVALLE. It is strictly forbidden to totally or partially reproduce this document and to misuse it and / or to show it to third parties. The infringing parties shall be required to pay the corresponding compensation for damages, and any other legal or criminal, responsible and the infringement may give rise to.

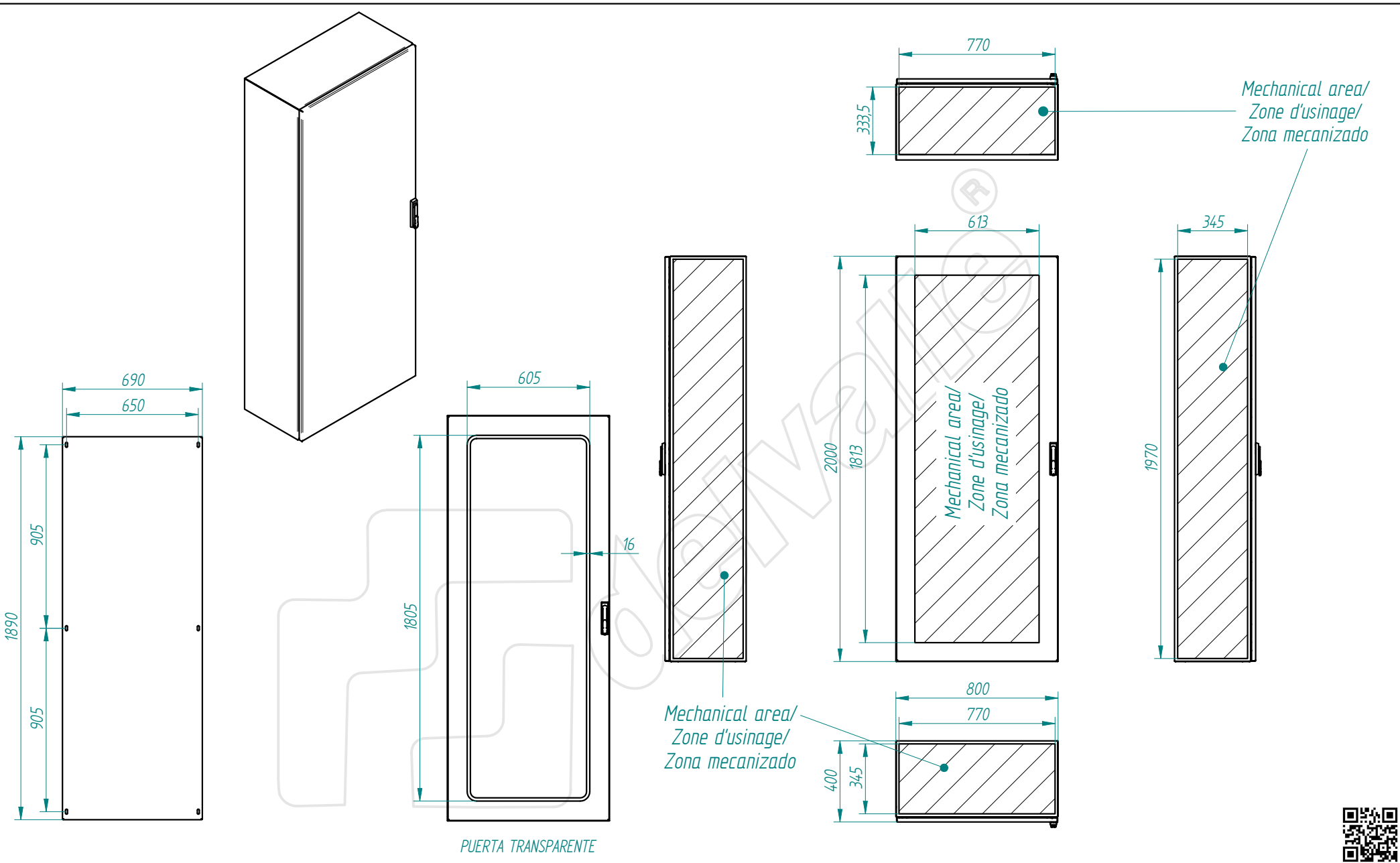



PUERTA TRANSPARENTE

| | | | | | | | | | | |
|---|------------------------|------------|---------|-----------|---|-----------|------------|------------|--------------|---|
| TOLERANCIA GENERAL DE MECANIZACION según DIN 7168 | Creación del documento | 04/04/2022 | D.MTNEZ | A | Referencia: - plegado: - acabado: | DIBUJADO: | 04/04/2022 | FIRMA: | D.Martinez |  |
| | MODIFICACIONES | FECHA: | FIRMA: | REVISIÓN: | | APROBADO: | 04/04/2022 | D.Martinez | DESIGNACIÓN: | |



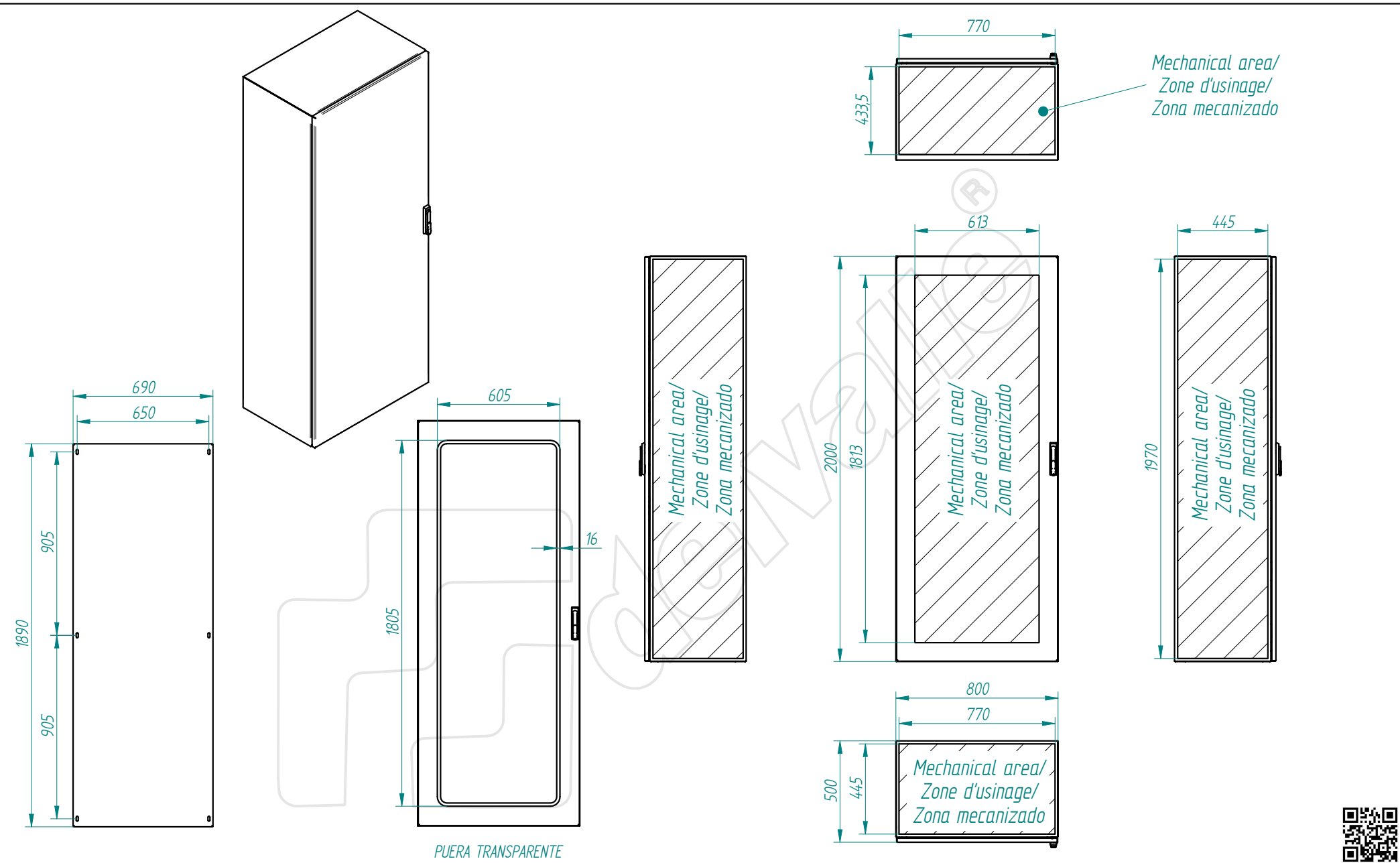
This present document and its contents are confidential and are the exclusive intellectual and / or industrial property of DELVALLE . In addition to any technology, design, invention, work, process, know-how, calculation, manual, method, solution, idea, improvement, drawing, diagram, modification, combination and, in short, any associated information involving industrial or intellectual property developed or supplied by DELVALLE on the occasion of the quote, order execution or incorporated into the design or operation of the supply. The recipient may not use such property in his favour or in that of a third party for purposes other than the fulfilment of the order and the operation and maintenance of the supply, without the prior written consent of DELVALLE. It is strictly forbidden to totally or partially reproduce this document and to misuse it and / or to show it to third parties. The infringing parties shall be required to pay the corresponding compensation for damages, and any other legal or criminal, responsible and the infringement may give rise to.




| | | | | | | | | | | | |
|---|--|--|------------|-------------|-----------|--------------------------|------------|--|------------|---------------------------------|---|
| TOLERANCIA GENERAL DE MECANIZACION segun DIN 7168 | | | | Referencia: | | | FECHA: | | FIRMA: | |  |
| | | | | | | | 04/04/2022 | | D.Martinez | | |
| Creación del documento | | | 04/04/2022 | D.MTNEZ | A | | | | | | Nº PLANO: |
| MODIFICACIONES | | | FECHA: | FIRMA: | REVISIÓN: | - plegado: - acabado: | | | | | |
| DESIGNACIÓN: | | | | | | | | | | TRIBECA1P-2000x800x400-estandar | |



This present document and its contents are confidential and are the exclusive intellectual and / or industrial property of DELVALLE . In addition to any technology, design, invention, work, process, know-how, calculation, manual, method, solution, idea, improvement, drawing, diagram, modification, combination and, in short, any associated information involving industrial or intellectual property developed or supplied by DELVALLE on the occasion of the quote, order execution or incorporated into the design or operation of the supply. The recipient may not use such property in his favour or in that of a third party for purposes other than the fulfilment of the order and the operation and maintenance of the supply, without the prior written consent of DELVALLE. It is strictly forbidden to totally or partially reproduce this document and to misuse it and / or to show it to third parties. The infringing parties shall be required to pay the corresponding compensation for damages, and any other legal or criminal, responsible and the infringement may give rise to.

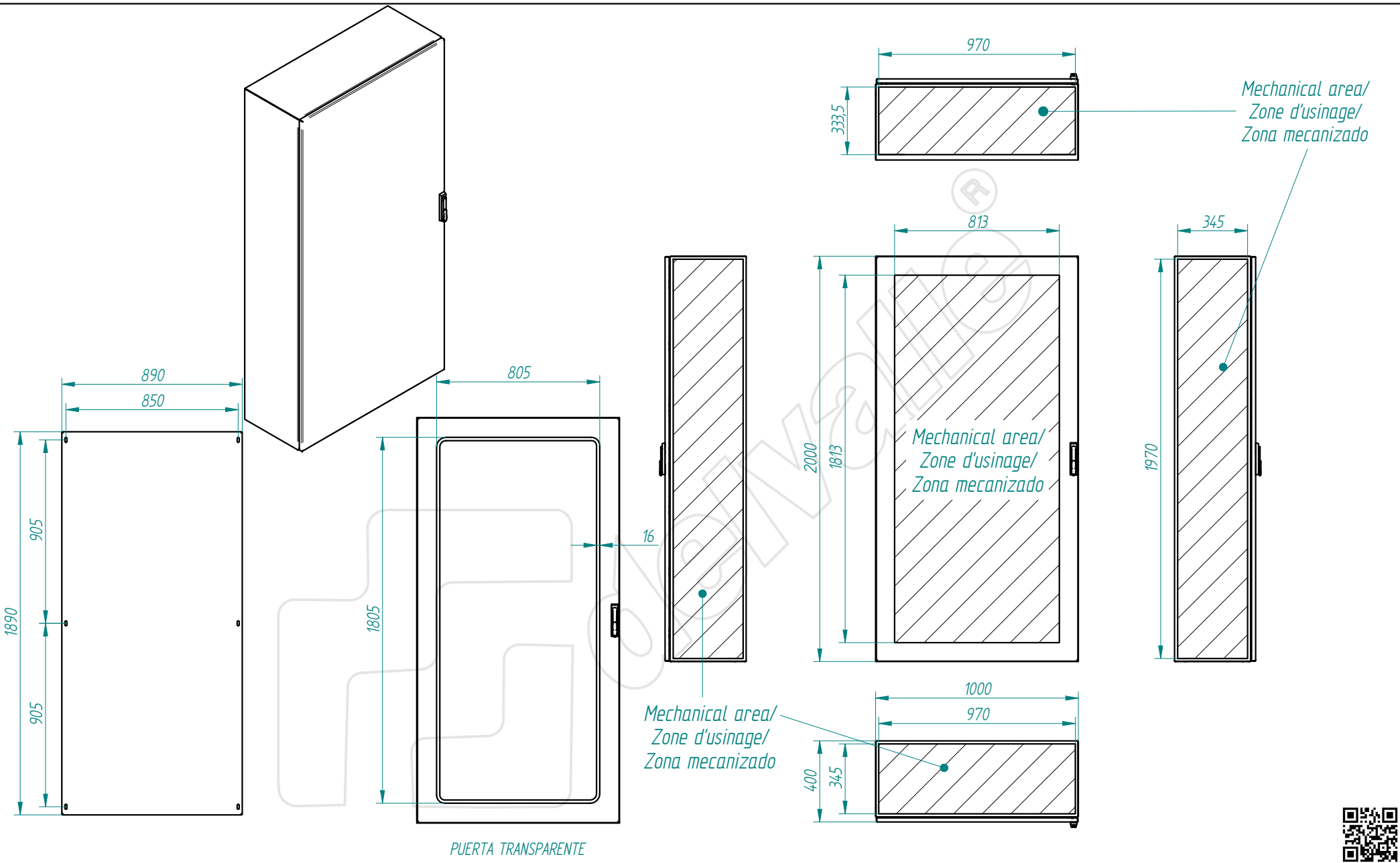



PUERA TRANSPARENTE

| | | | | | | | | | | |
|---|------------------------|------------|---------|-----------|---|-----------|------------|------------|--------------|---|
| TOLERANCIA GENERAL DE MECANIZACION según DIN 7168 | Creación del documento | 04/04/2022 | D.MTNEZ | A | Referencia: - plegado: - acabado: | DIBUJADO: | 04/04/2022 | FIRMA: | D.Martínez |  |
| | MODIFICACIONES | FECHA: | FIRMA: | REVISIÓN: | | APROBADO: | 04/04/2022 | D.Martínez | DESIGNACIÓN: | |



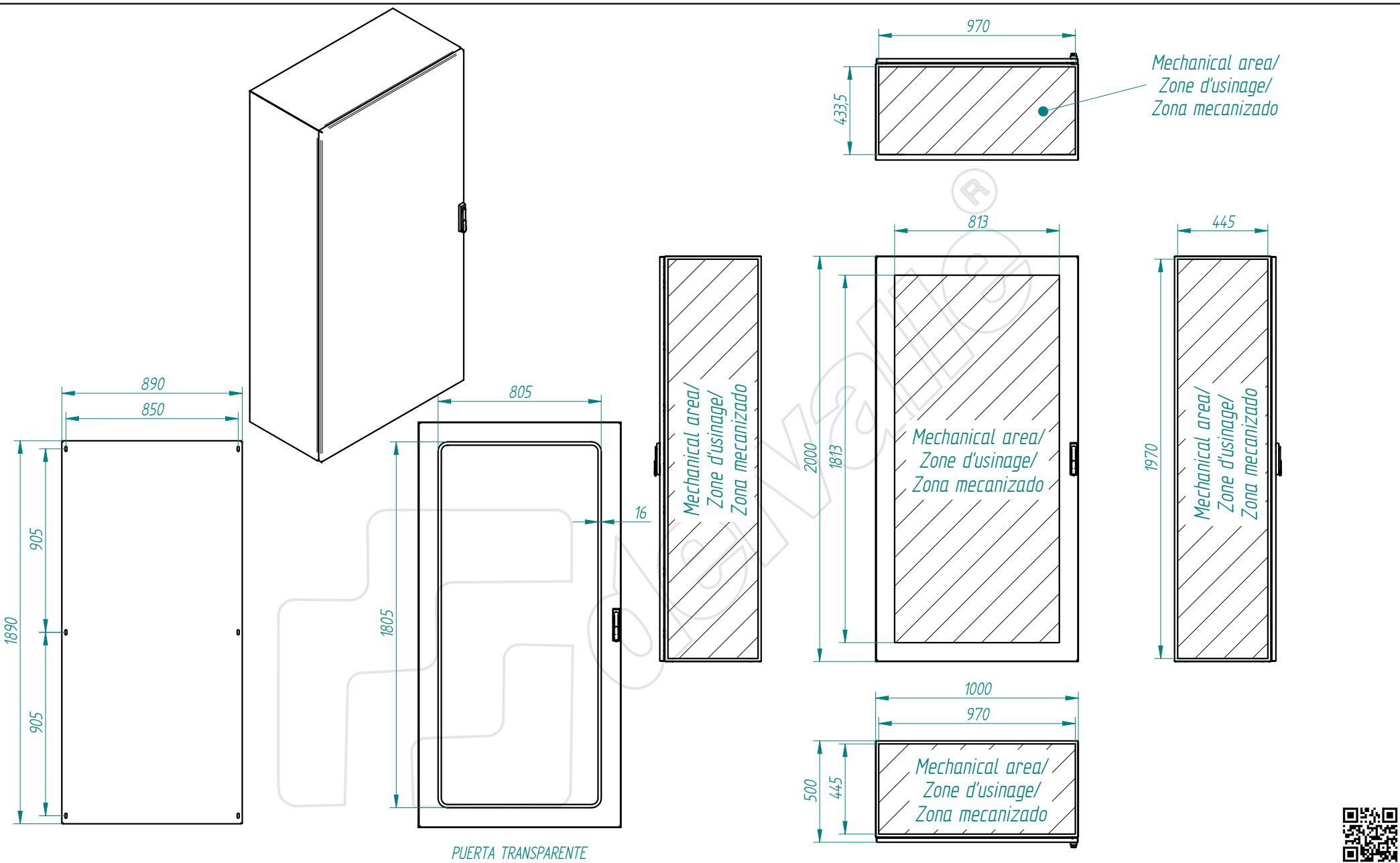
This present document and its contents are confidential and are the exclusive intellectual and / or industrial property of DELVALLE . In addition to any technology, design, invention, work, process, know-how, calculation, manual, method, solution, idea, improvement, drawing, diagram, modification, combination and, in short, any associated information involving industrial or intellectual property developed or supplied by DELVALLE on the occasion of the quote, order execution or incorporated into the design or operation of the supply. The recipient may not use such property in his favour or in that of a third party for purposes other than the fulfilment of the order and the operation and maintenance of the supply, without the prior written consent of DELVALLE. It is strictly forbidden to totally or partially reproduce this document and to misuse it and / or to show it to third parties. The infringing parties shall be required to pay the corresponding compensation for damages, and any other legal or criminal, responsible and the infringement may give rise to.



| | | | | | | | | | | |
|---|------------------------|------------|---------|-----------|---|----------------------------------|------------|------------|------------|--|
| TOLERANCIA GENERAL DE MECANIZACION según DIN 7168 | Creación del documento | 04/04/2022 | D.MTNEZ | A | Referencia: - plegado: - acabado: | DIBUJADO: | 04/04/2022 | FIRMA: | D.Martinez |  N° PLANO: |
| | MODIFICACIONES | FECHA: | FIRMA: | REVISIÓN: | | APROBADO: | 04/04/2022 | D.Martinez | | |
| DESIGNACIÓN: | | | | | | TRIBECA1P-2000x1000x400-estandar | | | | |



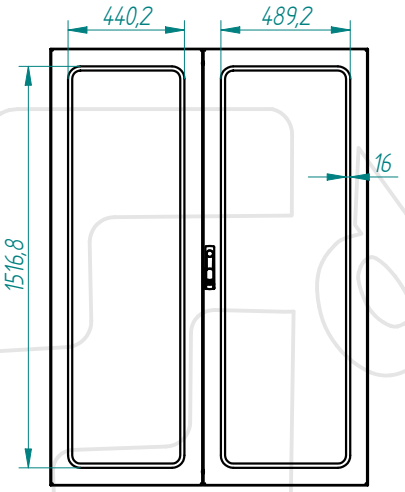
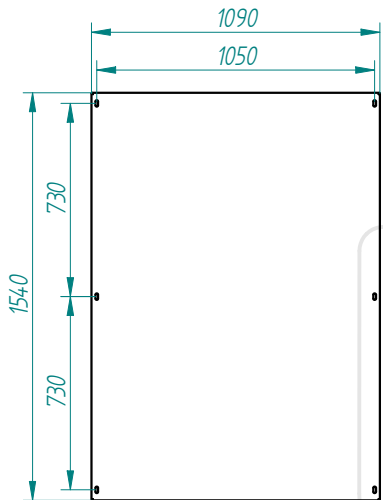
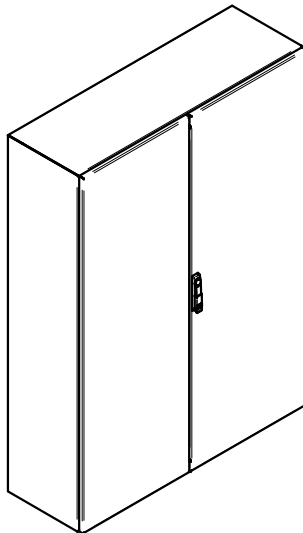
This present document and its contents are confidential and are the exclusive intellectual and / or industrial property of DELVALLE . In addition to any technology, design, invention, work, process, know-how, calculation, manual, method, solution, idea, improvement, drawing, diagram, modification, combination and, in short, any associated information involving industrial or intellectual property developed or supplied by DELVALLE on the occasion of the quote, order execution or incorporated into the design or operation of the supply. The recipient may not use such property in his favour or in that of a third party for purposes other than the fulfilment of the order and the operation and maintenance of the supply, without the prior written consent of DELVALLE. It is strictly forbidden to totally or partially reproduce this document and to misuse it and / or to show it to third parties. The infringing parties shall be required to pay the corresponding compensation for damages, and any other legal or criminal, responsible for the infringement may give rise to.



| | | | | | | | | |
|--|------------------------|------------|---------|-----------|---|-----------|------------|----------------------|
| TOLERANCIA GENERAL DE MECANIZACION segun DIN 7168 | Creación del documento | 04/04/2022 | D.MTNEZ | A | Referencia: - plegado: - acabado: | DIBUJADO: | 04/04/2022 | FIRMA: D.Martinez |
| | MODIFICACIONES | FECHA: | FIRMA: | REVISIÓN: | | APROBADO: | 04/04/2022 | D.Martinez |
| DESIGNACIÓN: TRIBECA1P-2000x1000x500-estandar | | | | | | Nº PLANO: | | |

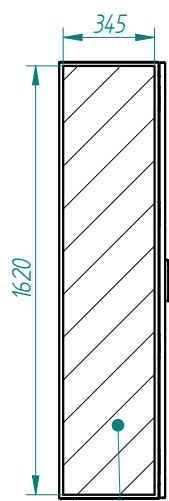
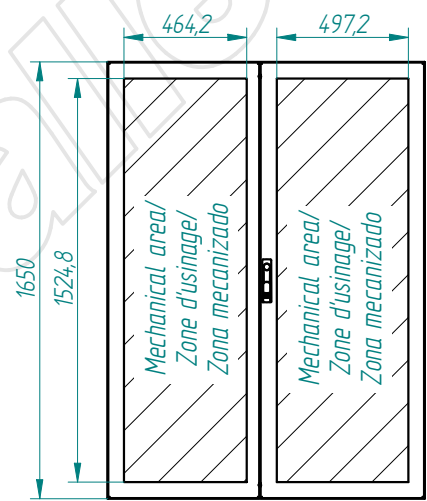
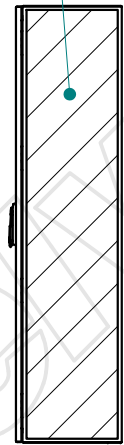
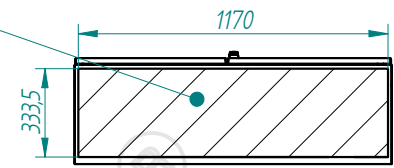


This present document and its contents are confidential and are the exclusive intellectual and / or industrial property of DELVALLE . In addition to any technology, design, invention, work, process, know-how, calculation, manual, method, solution, idea, improvement, drawing, diagram, modification, combination and, in short, any associated information involving industrial or intellectual property developed or supplied by DELVALLE on the occasion of the quote, order execution or incorporated into the design or operation of the supply. The recipient may not use such property in his favour or in that of a third party for purposes other than the fulfilment of the order and the operation and maintenance of the supply, without the prior written consent of DELVALLE. It is strictly forbidden to totally or partially reproduce this document and to misuse it and / or to show it to third parties. The infringing parties shall be required to pay the corresponding compensation for damages, and any other legal or criminal responsibility is the infringement may give rise to.

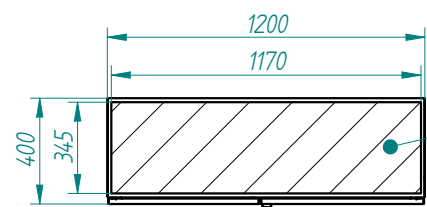



PPUERTAS TRANSPARENTES

Mechanical area/
Zone d'usinage/
Zona mecanizado



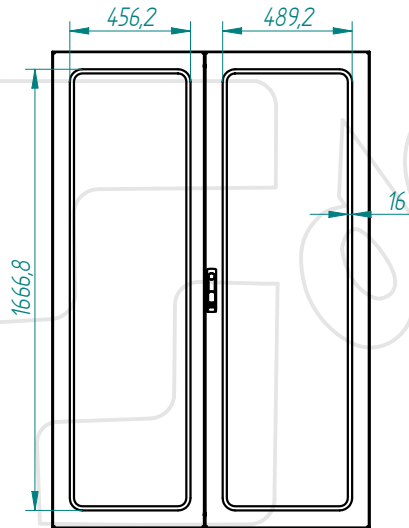
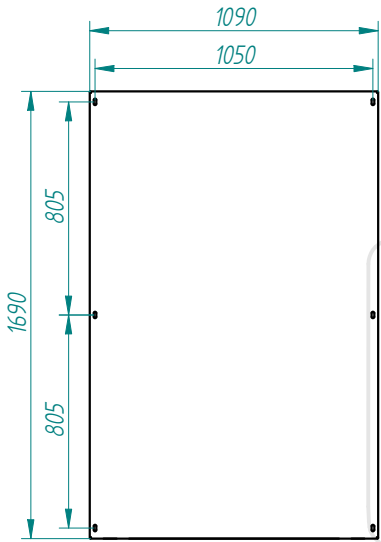
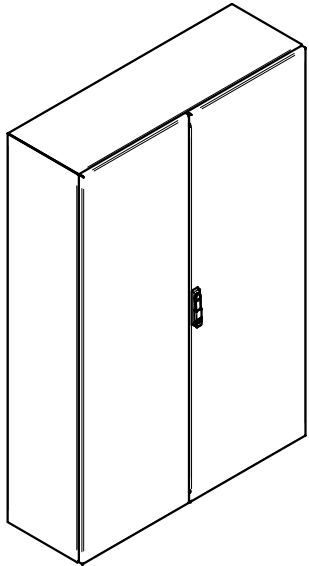
Mechanical area/
Zone d'usinage/
Zona mecanizado



| | | | | | | | | | | |
|---|------------------------|------------|---------|-----------|---|--------------|------------|------------|---|--|
| TOLERANCIA GENERAL DE MECANIZACION según DIN 7168 | Creación del documento | 04/04/2022 | D.MTNEZ | A | Referencia: - plegado: - acabado: | DIBUJADO: | 04/04/2022 | FIRMA: | D.Martinez |  N° PLANO: |
| | MODIFICACIONES | FECHA: | FIRMA: | REVISIÓN: | | DESIGNACIÓN: | 04/04/2022 | D.Martinez | TRIBECA2P-1650x1200x400-estandar | |

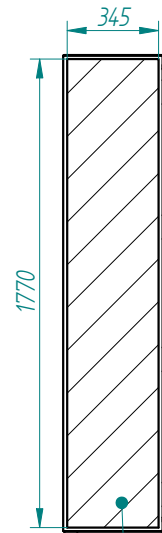
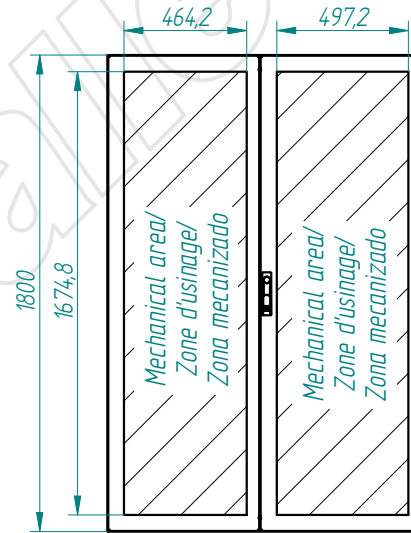
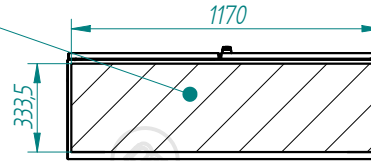
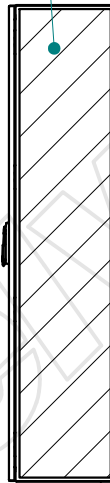


This present document and its contents are confidential and are the exclusive intellectual and / or industrial property of DELVALLE . In addition to any technology, design, invention, work, process, know-how, calculation, manual, method, solution, idea, improvement, drawing, diagram, modification, combination and, in short, any associated information involving industrial or intellectual property developed or supplied by DELVALLE on the occasion of the quote, order execution or incorporated into the design or operation of the supply. The recipient may not use such property in his favour or in that of a third party for purposes other than the fulfilment of the order and the operation and maintenance of the supply, without the prior written consent of DELVALLE. It is strictly forbidden to totally or partially reproduce this document and to misuse it and / or to show it to third parties. The infringing parties shall be required to pay the corresponding compensation for damages, and any other legal or criminal, responsible and the infringement may give rise to.

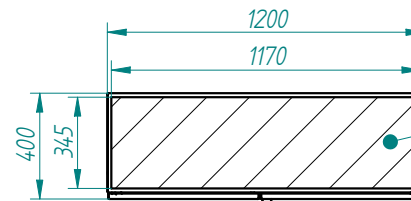



PUERTAS TRANSPARENTES

Mechanical area/
Zone d'usage/
Zona mecanizado

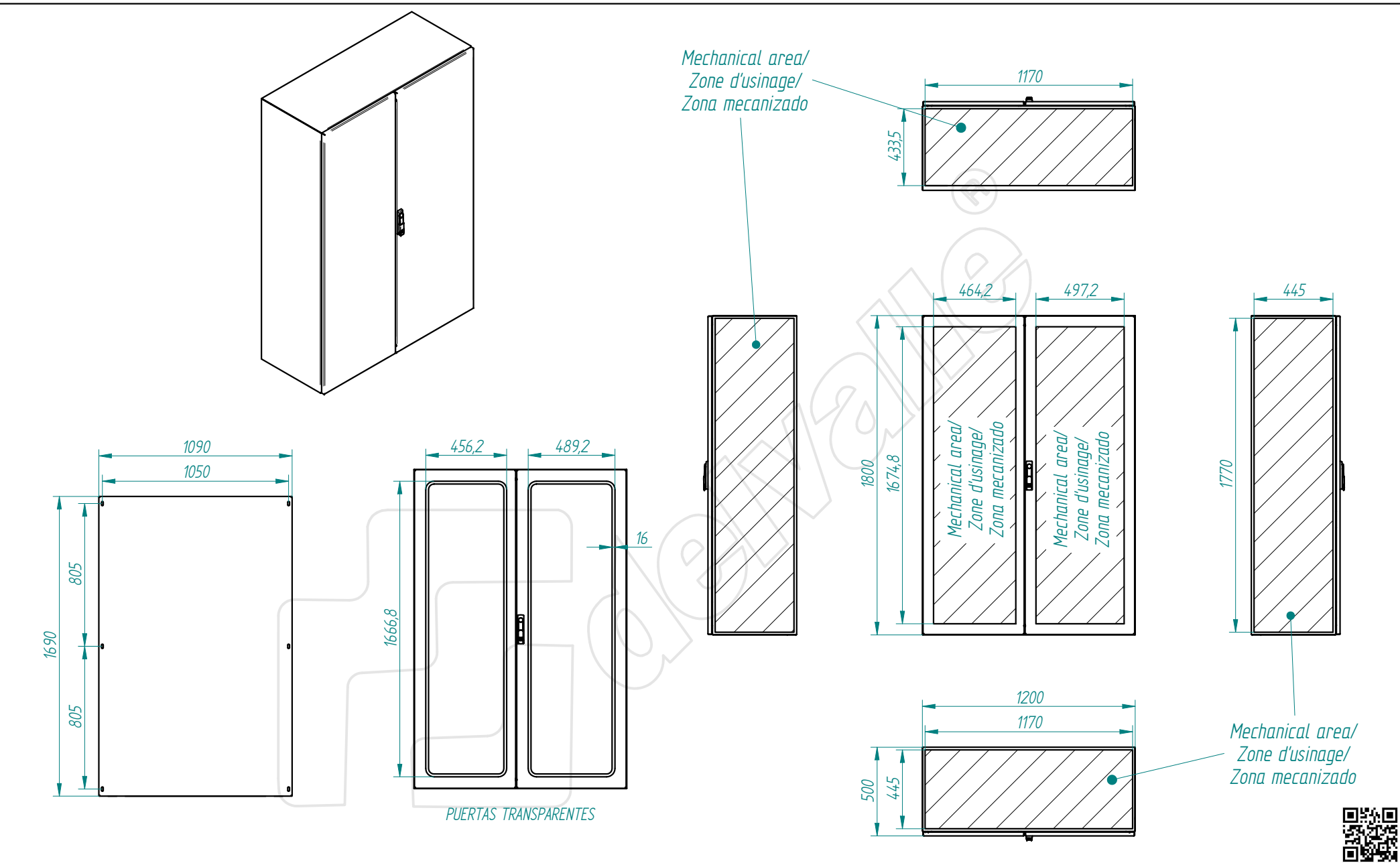



Mechanical area/
Zone d'usage/
Zona mecanizado



| | | | | | | | | | | |
|---|------------------------|------------|---------|-----------|---|----------------------------------|------------|------------|------------|--|
| TOLERANCIA GENERAL DE MECANIZACION según DIN 7168 | Creación del documento | 04/04/2022 | D.MTNEZ | A | Referencia: - plegado: - acabado: | DIBUJADO: | 04/04/2022 | FIRMA: | D.Martinez |  N° PLANO: |
| | MODIFICACIONES | FECHA: | FIRMA: | REVISIÓN: | | APROBADO: | 04/04/2022 | D.Martinez | | |
| DESIGNACIÓN: | | | | | | TRIBECA2P-1800x1200x400-estandar | | | N° PLANO: | |

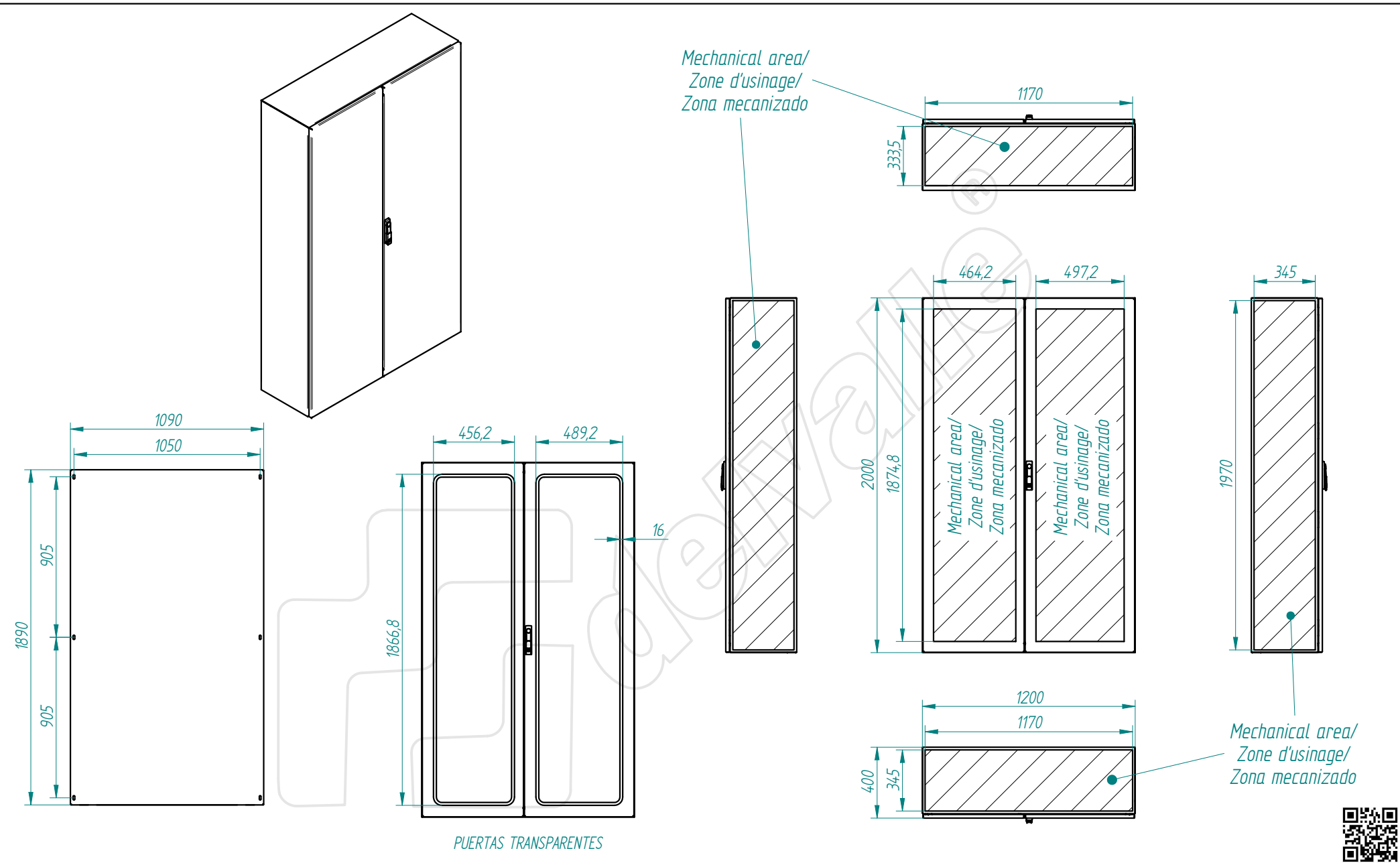
This present document and its contents are confidential and are the exclusive intellectual and / or industrial property of DELVALLE. In addition to any technology, design, invention, work, process, know-how, calculation, manual, method, solution, idea, improvement, drawing, diagram, modification, combination and, in short, any associated information involving industrial or intellectual property developed or supplied by DELVALLE on the occasion of the quote, order execution or incorporated into the design or operation of the supply. The recipient may not use such property in his favour or in that of a third party for purposes other than the fulfilment of the order and the operation and maintenance of the supply, without the prior written consent of DELVALLE. It is strictly forbidden to totally or partially reproduce this document and to misuse it and / or to show it to third parties. The infringing parties shall be required to pay the corresponding compensation for damages, and any other legal or criminal responsible is the infringer may give rise to.



| | | | | | | | | | |
|---|------------------------|------------|---------|-----------|---|----------------------------------|------------|----------------------|--|
| TOLERANCIA GENERAL DE MECANIZACION según DIN 7168 | Creación del documento | 04/04/2022 | D.MTNEZ | A | Referencia: - plegado: - acabado: | DIBUJADO: | 04/04/2022 | FIRMA: D.Martinez |  N° PLANO: |
| | MODIFICACIONES | FECHA: | FIRMA: | REVISIÓN: | | APROBADO: | 04/04/2022 | D.Martinez | |
| DESIGNACIÓN: | | | | | | TRIBECA2P-1800x1200x500-estandar | | | |



This present document and its contents are confidential and are the exclusive intellectual and / or industrial property of DELVALLE. In addition to any technology, design, invention, work, process, know-how, calculation, manual, method, solution, idea, improvement, drawing, modification, combination and, in short, any associated information involving industrial or intellectual property developed or supplied by DELVALLE on the occasion of the quote, order execution or incorporated into the design or operation of the supply. The recipient may not use such property in his favour or in that of a third party for purposes other than the fulfilment of the order and the operation and maintenance of the supply, without the prior written consent of DELVALLE. It is strictly forbidden to totally or partially reproduce this document and to misuse it and / or to show it to third parties. The infringing parties shall be required to pay the corresponding compensation for damages, and any other legal or criminal, responsible and the infringement may give rise to.

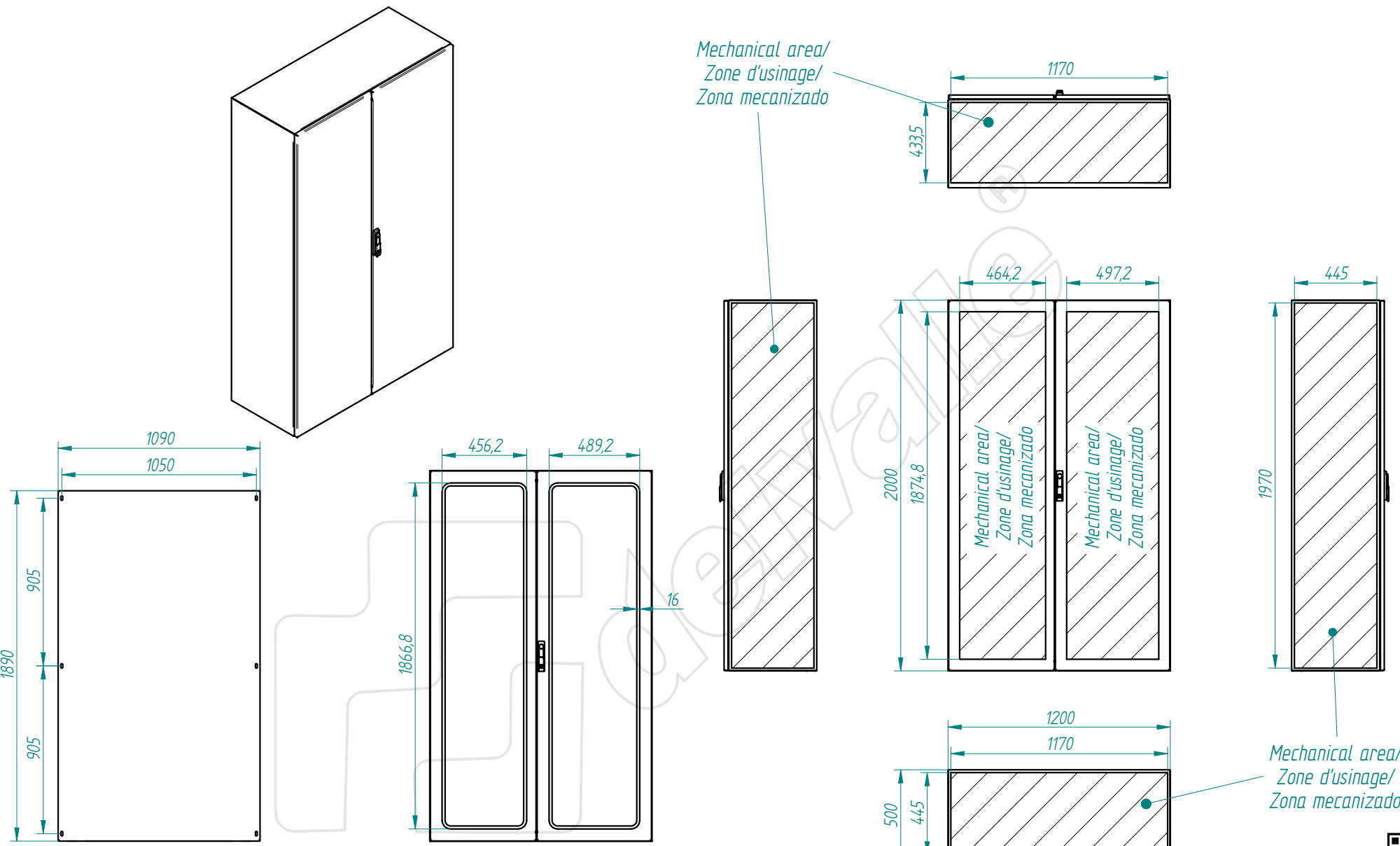


PUERTAS TRANSPARENTES


| | | | | | | | | |
|--|------------------------|------------|---------|-----------|---|-----------|------------|----------------------|
| TOLERANCIA GENERAL DE MECANIZACION según DIN 7168 | Creación del documento | 04/04/2022 | D.MTNEZ | A | Referencia: - plegado: - acabado: | DIBUJADO: | 04/04/2022 | FIRMA: D.Martinez |
| | MODIFICACIONES | FECHA: | FIRMA: | REVISIÓN: | | APROBADO: | 04/04/2022 | D.Martinez |
| DESIGNACIÓN: TRIBECA2P-2000x1200x400-estandar | | | | | | Nº PLANO: | | |



This present document and its contents are confidential and are the exclusive intellectual and / or industrial property of DELVALLE. In addition to any technology, design, invention, work, process, know-how, calculation, manual, method, solution, idea, improvement, drawing, diagram, modification, combination and, in short, any associated information involving industrial or intellectual property developed or supplied by DELVALLE on the occasion of the quote, order execution or incorporated into the design or operation of the supply. The recipient may not use such property in his favour or in that of a third party for purposes other than the fulfilment of the order and the operation and maintenance of the supply, without the prior written consent of DELVALLE. It is strictly forbidden to totally or partially reproduce this document and to misuse it and / or to show it to third parties. The infringing parties shall be required to pay the corresponding compensation for damages, and any other legal or criminal responsible is the infringement may give rise to.

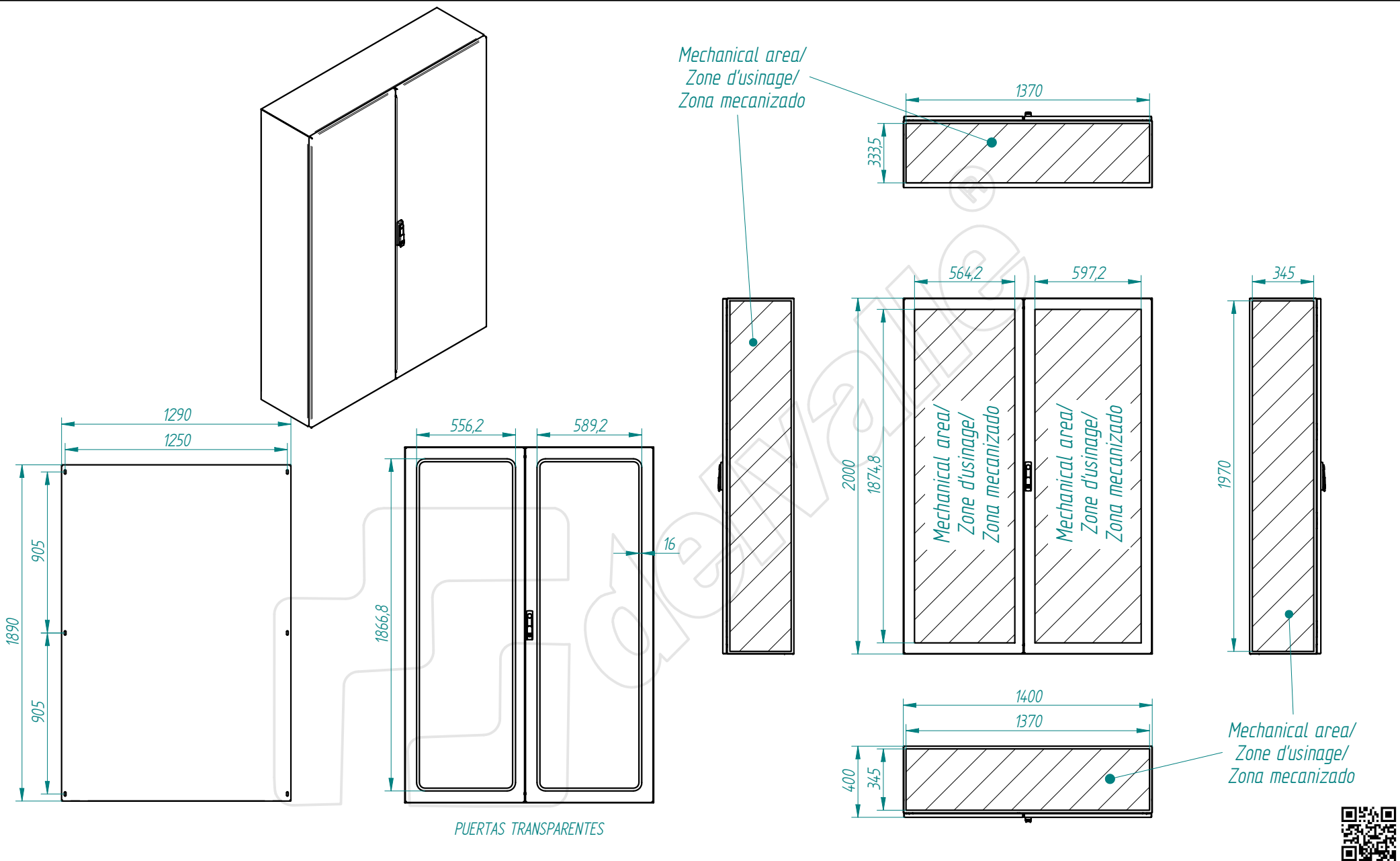



PUERTAS TRANSPARENTES

| | | | | | | | | | |
|---|------------------------|------------|---------|-----------|---|----------------------------------|------------|----------------------|---|
| TOLERANCIA GENERAL DE MECANIZACION según DIN 7168 | Creación del documento | 04/04/2022 | D.MTNEZ | A | Referencia: - plegado: - acabado: | DIBUJADO: | 04/04/2022 | FIRMA: D.Martinez |  |
| | MODIFICACIONES | FECHA: | FIRMA: | REVISIÓN: | | APROBADO: | 04/04/2022 | D.Martinez | |
| DESIGNACIÓN: | | | | | | TRIBECA2P-2000x1200x500-estandar | | | Nº PLANO: |



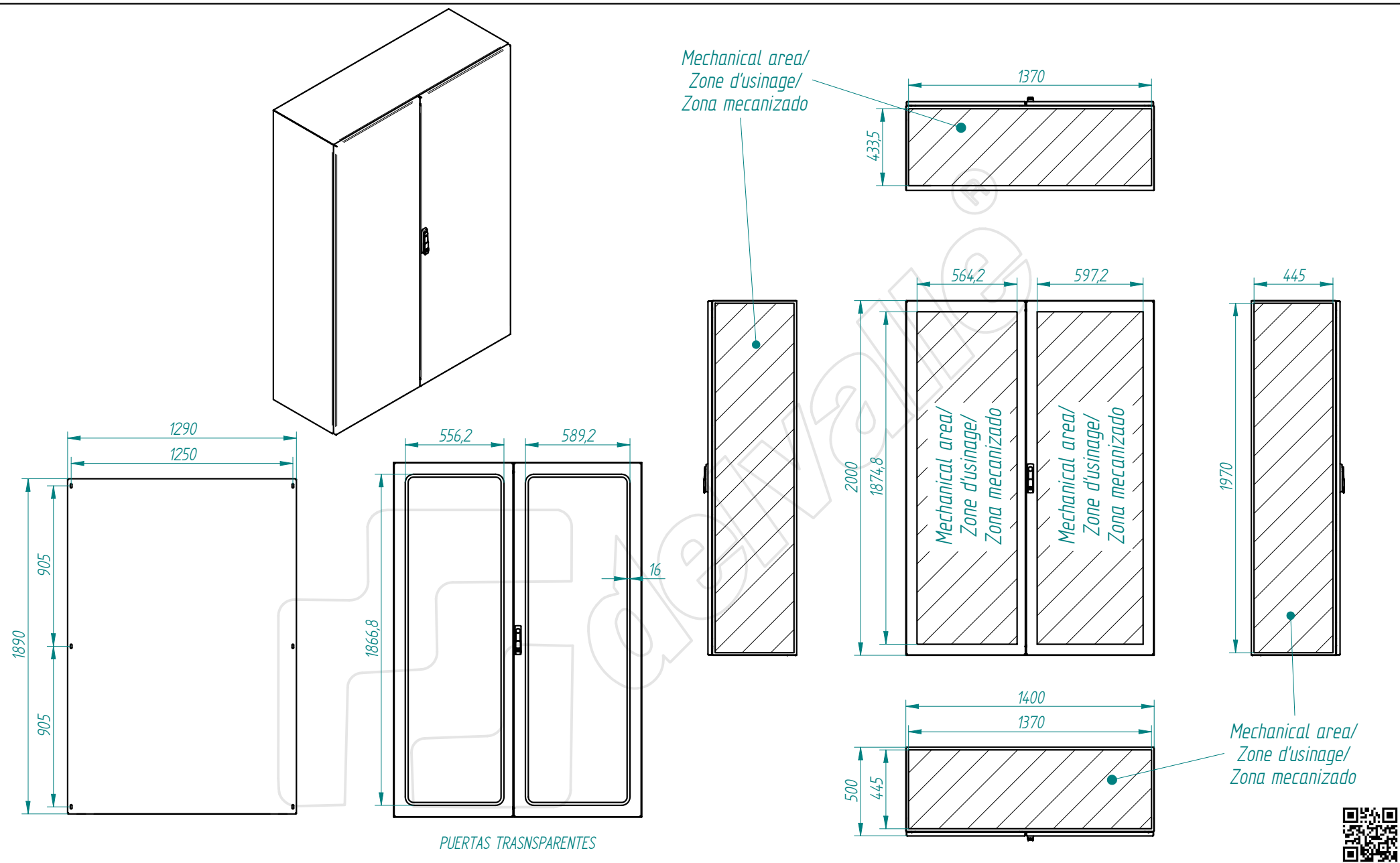
This present document and its contents are confidential and / or industrial property of DELVALLE . In addition to any technology, design, invention, work, process, know-how, calculation, manual, method, solution, idea, improvement, drawing, diagram, modification, combination and, in short, any associated information involving industrial or intellectual property developed or supplied by DELVALLE on the occasion of the quote, order execution or incorporated into the design or operation of the supply. The recipient may not use such property in his favour or in that of a third party for purposes other than the fulfilment of the order and the operation and maintenance of the supply, without the prior written consent of DELVALLE. It is strictly forbidden to totally or partially reproduce this document and to misuse it and / or to show it to third parties. The infringing parties shall be required to pay the corresponding compensation for damages, and any other legal or criminal responsible is the infringer may give rise to.




| | | | | | | | | | |
|---|------------------------|------------|---------|-----------|---|----------------------------------|------------|----------------------|--|
| TOLERANCIA GENERAL DE MECANIZACION según DIN 7168 | Creación del documento | 04/04/2022 | D.MTNEZ | A | Referencia: - plegado: - acabado: | DIBUJADO: | 04/04/2022 | FIRMA: D.Martinez |  Nº PLANO: |
| | MODIFICACIONES | FECHA: | FIRMA: | REVISIÓN: | | APROBADO: | 04/04/2022 | D.Martinez | |
| DESIGNACIÓN: | | | | | | TRIBECA2P-2000x1400x400-estandar | | | |



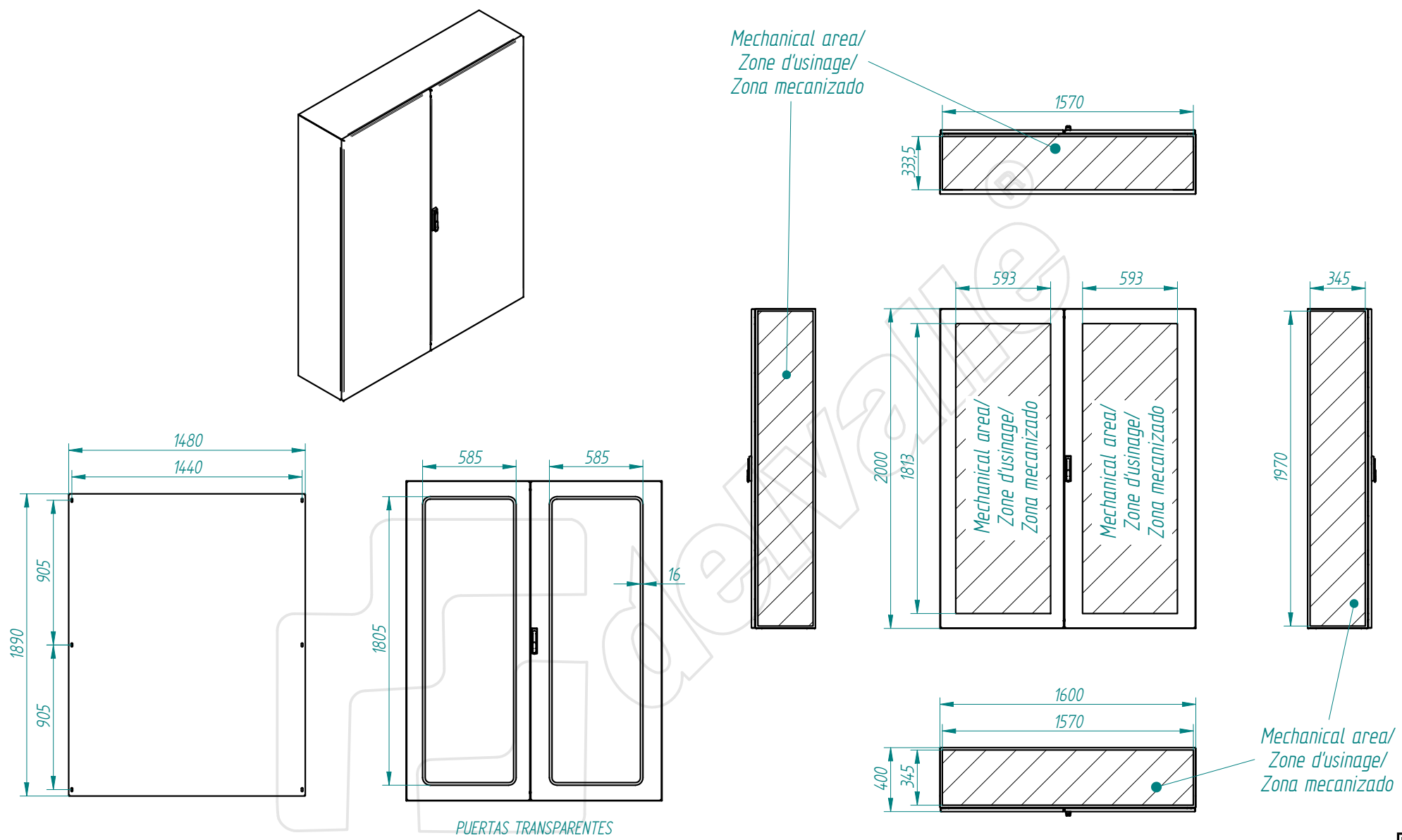
This present document and its contents are confidential and are the exclusive intellectual and / or industrial property of DELVALLE . In addition to any technology, design, invention, work, process, know-how, calculation, manual, method, solution, idea, improvement, drawing, diagram, modification, combination and, in short, any associated information involving industrial or intellectual property developed or supplied by DELVALLE on the occasion of the quote, order execution or incorporated into the design or operation of the supply. The recipient may not use such property in his favour or in that of a third party for purposes other than the fulfilment of the order and the operation and maintenance of the supply, without the prior written consent of DELVALLE. It is strictly forbidden to totally or partially reproduce this document and to misuse it and / or to show it to third parties. The infringing parties shall be required to pay the corresponding compensation for damages, and any other legal or criminal, responsible and the infringement may give rise to.



PUERTAS TRANSPARENTES

| | | | | | | | | | |
|---|------------------------|------------|---------|-----------|---|----------------------------------|------------|----------------------|--|
| TOLERANCIA GENERAL DE MECANIZACION según DIN 7168 | Creación del documento | 04/04/2022 | D.MTNEZ | A | Referencia: - plegado: - acabado: | DIBUJADO: | 04/04/2022 | FIRMA: D.Martinez |  N° PLANO: |
| | MODIFICACIONES | FECHA: | FIRMA: | REVISIÓN: | | APROBADO: | 04/04/2022 | D.Martinez | |
| DESIGNACIÓN: | | | | | | TRIBECA2P-2000x1400x500-estandar | | | |

This present document and its contents are confidential and are the exclusive intellectual and / or industrial property of DELVALLE . In addition to any technology, design, invention, work, process, know-how, calculation, manual, method, solution, idea, improvement, drawing, diagram, modification, combination and, in short, any associated information involving industrial or intellectual property developed or supplied by DELVALLE on the occasion of the quote, order execution or incorporated into the design or operation of the supply. The recipient may not use such property in his favour or in that of a third party for purposes other than the fulfilment of the order and the operation and maintenance of the supply, without the prior written consent of DELVALLE. It is strictly forbidden to totally or partially reproduce this document and to misuse it and / or to show it to third parties. The infringing parties shall be required to pay the corresponding compensation for damages, and any other legal or criminal responsibility is the infringement may give rise to.



TOLERANCIA GENERAL DE MECANIZACION según DIN 7168

| | | | |
|------------------------|------------|---------|-----------|
| Creación del documento | 04/04/2022 | D.MTNEZ | A |
| MODIFICACIONES | FECHA: | FIRMA: | REVISIÓN: |

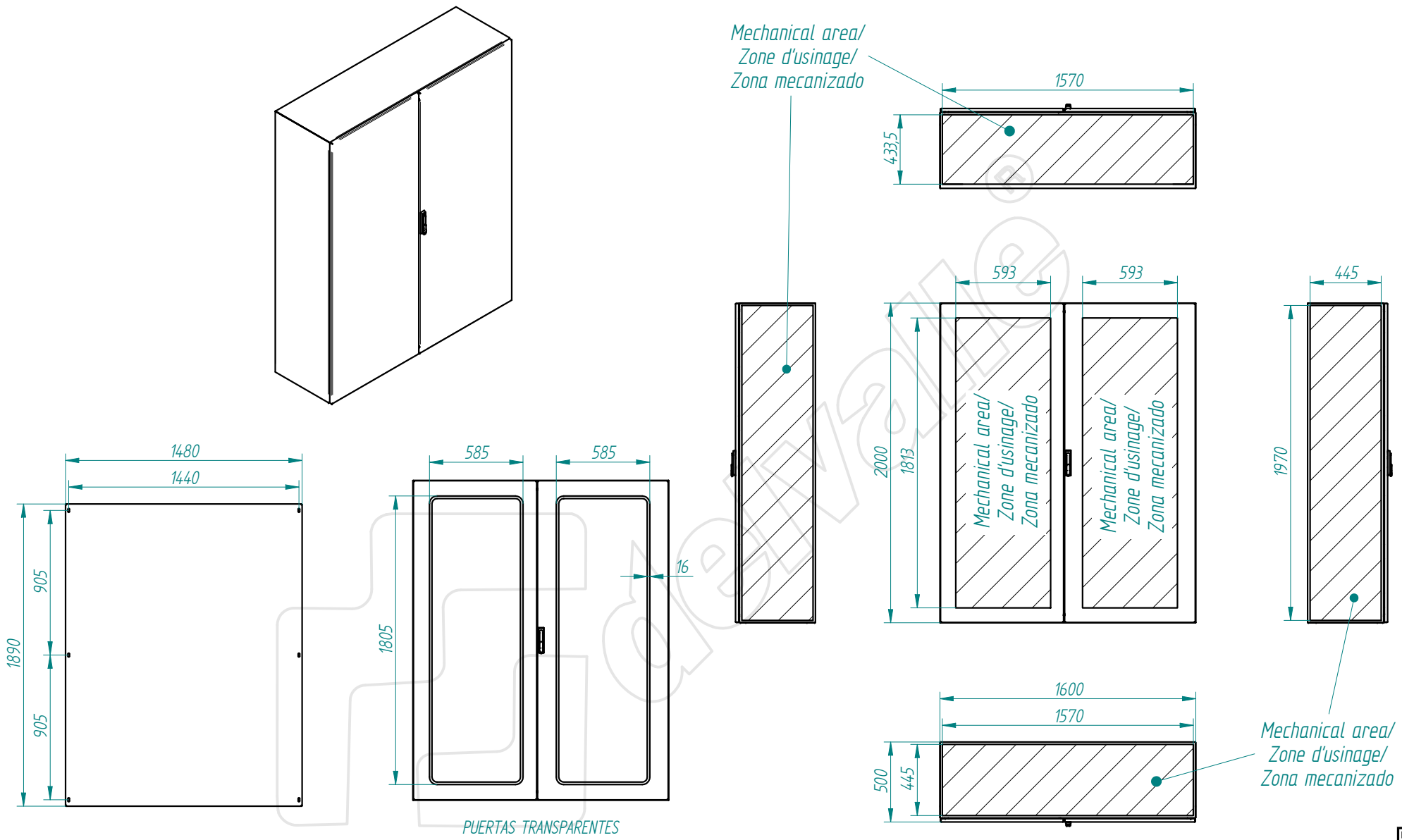
Referencia:
- plegado:
- acabado:

| | | |
|--------------|----------------------------------|------------|
| DIBUJADO: | FECHA: | FIRMA: |
| APROBADO: | 04/04/2022 | D.Martinez |
| DESIGNACIÓN: | TRIBECA2P-2000x1600x400-estandar | |


| | |
|-----------|--|
| Nº PLANO: | |
|-----------|--|



This present document and its contents are confidential and are the exclusive intellectual and / or industrial property of DELVALLE . In addition to any technology, design, invention, work, process, know-how, calculation, manual, method, solution, idea, improvement, drawing, diagram, modification, combination and, in short, any associated information involving industrial or intellectual property developed or supplied by DELVALLE on the occasion of the quote, order execution or incorporated into the design or operation of the supply. The recipient may not use such property in his favour or in that of a third party for purposes other than the fulfilment of the order and the operation and maintenance of the supply, without the prior written consent of DELVALLE. It is strictly forbidden to totally or partially reproduce this document and to misuse it and / or to show it to third parties. The infringing parties shall be required to pay the corresponding compensation for damages, and any other legal or criminal responsibility is the infringer may give rise to.



PUERTAS TRANSPARENTES

| | | | | | | | | | |
|---|------------------------|------------|---------|-----------|---|----------------------------------|------------|----------------------|--|
| TOLERANCIA GENERAL DE MECANIZACION según DIN 7168 | Creación del documento | 04/04/2022 | D.MTNEZ | A | Referencia: - plegado: - acabado: | DIBUJADO: | 04/04/2022 | FIRMA: D.Martinez |  N° PLANO: |
| | MODIFICACIONES | FECHA: | FIRMA: | REVISIÓN: | | DESIGNACIÓN: | 04/04/2022 | D.Martinez | |
| | | | | | | TRIBECA2P-2000x1600x500-estandar | | | |

