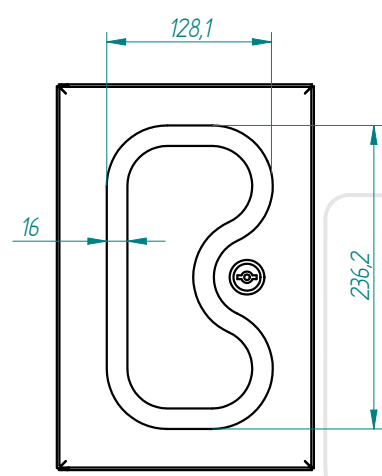
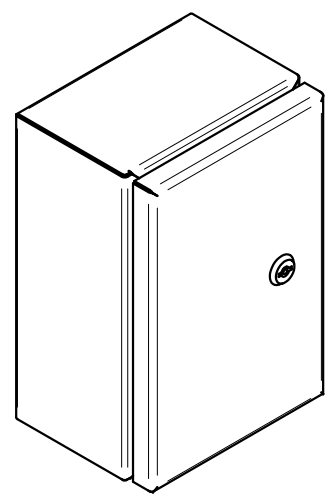
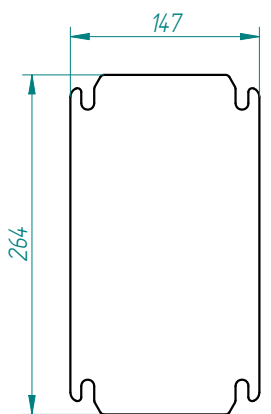
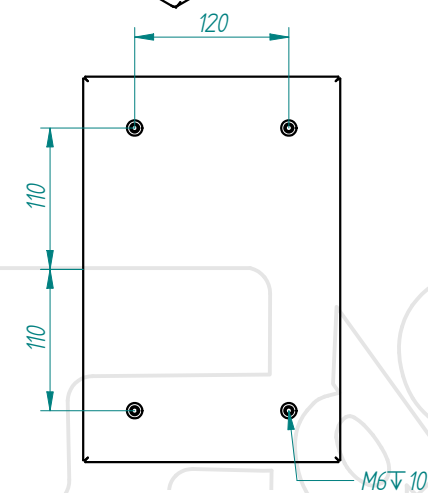


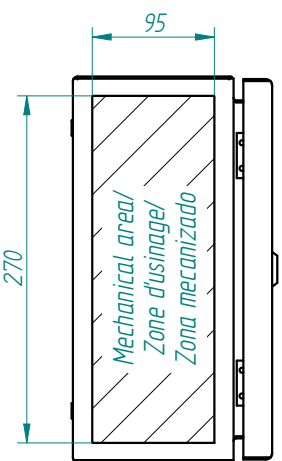
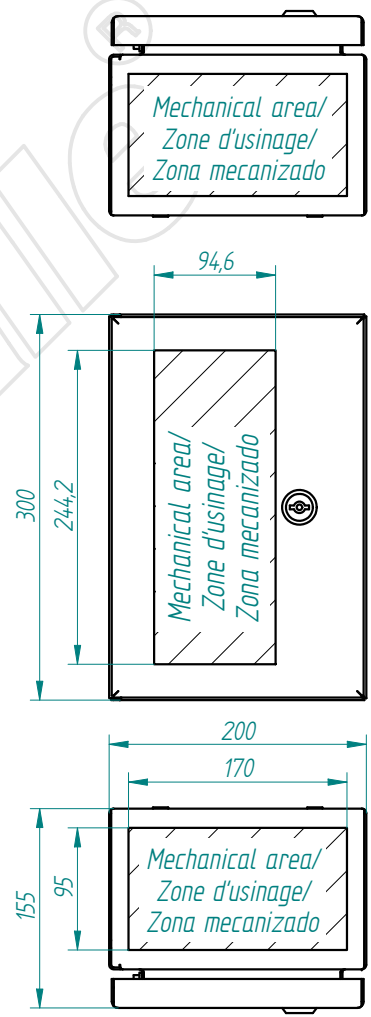
This present document and its contents are confidential, and are the exclusive intellectual and / or industrial property of DELVALLE. In addition to any technology, design, invention, work, process, know-how, calculation, manual, method, solution, idea, improvement, drawing, diagram, modification, contribution and, in short, any associated information or documentation involving industrial or intellectual property developed or supplied by DELVALLE on the occasion of the quote, order execution or incorporated into the design or operation of the supply. The recipient may not use such property in his favour or in that of a third party for purposes other than the fulfilment of the order and the operation and maintenance of the supply, without the prior written consent of DELVALLE. It is strictly forbidden to totally or partially reproduce this document and to misuse it or to show it to third parties. The infringing parties shall be required to pay the corresponding compensation for damages, and any other legal or criminal responsibilities. The infringement may give rise to.




PUERTA TRANSPARENTE

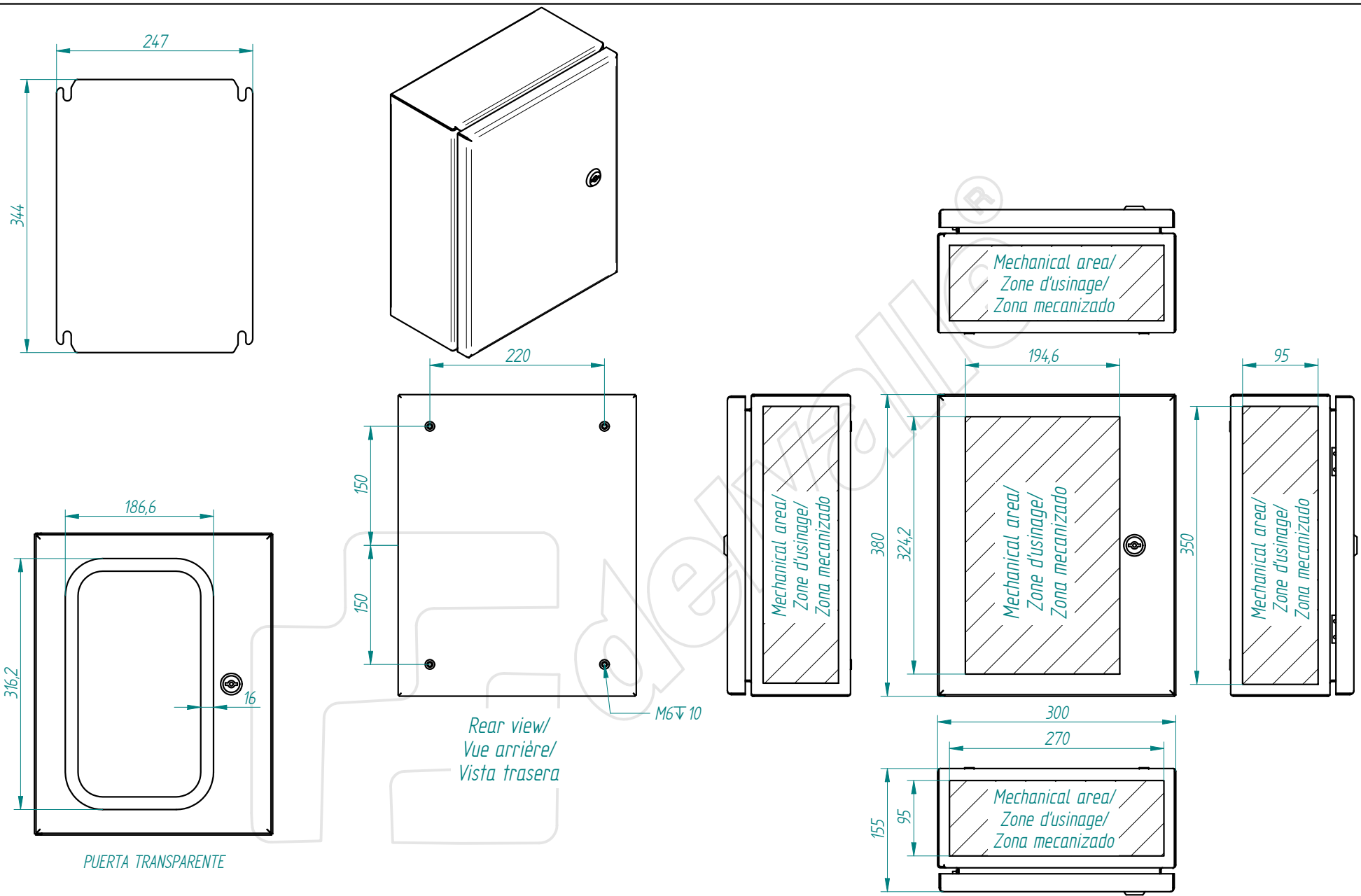


Rear view/
Vue arrière/
Vista trasera



TOLERANCIA GENERAL DE MECANIZACION según DIN 7168	Creación del documento	24/04/2015	D.MTNEZ	A	Referencia: - plegado: - acabado:	DIBUJADO:	24/04/2015	FIRMA:	D.Martinez	 N° PLANO:
	MODIFICACIONES	FECHA:	FIRMA:	REVISIÓN:		APROBADO:	24/04/2015	D.Martinez		
						DESIGNACIÓN:	Luxor-300x200x155-estandar			

This present document and its contents are confidential, and are the exclusive intellectual and / or industrial property of DELVALLE. In addition to any technology, design, invention, work, process, know-how, calculation, method, solution, idea, improvement, drawing, diagram, modification and, in short, any associated information or documentation involving industrial or intellectual property developed or supplied by DELVALLE on the occasion of the quote, order execution or incorporated into the design or operation of the supply. The recipient may not use such property in his favour or in that of a third party for purposes other than the fulfilment of the order and the operation and maintenance of the supply, without the prior written consent of DELVALLE. It is strictly forbidden to totally or partially reproduce this document and to misuse it and / or to show it to third parties. The infringing parties shall be required to pay the corresponding compensation for damages, and any other legal or criminal responsibility is the infringer may give rise to.




PUERTA TRANSPARENTE

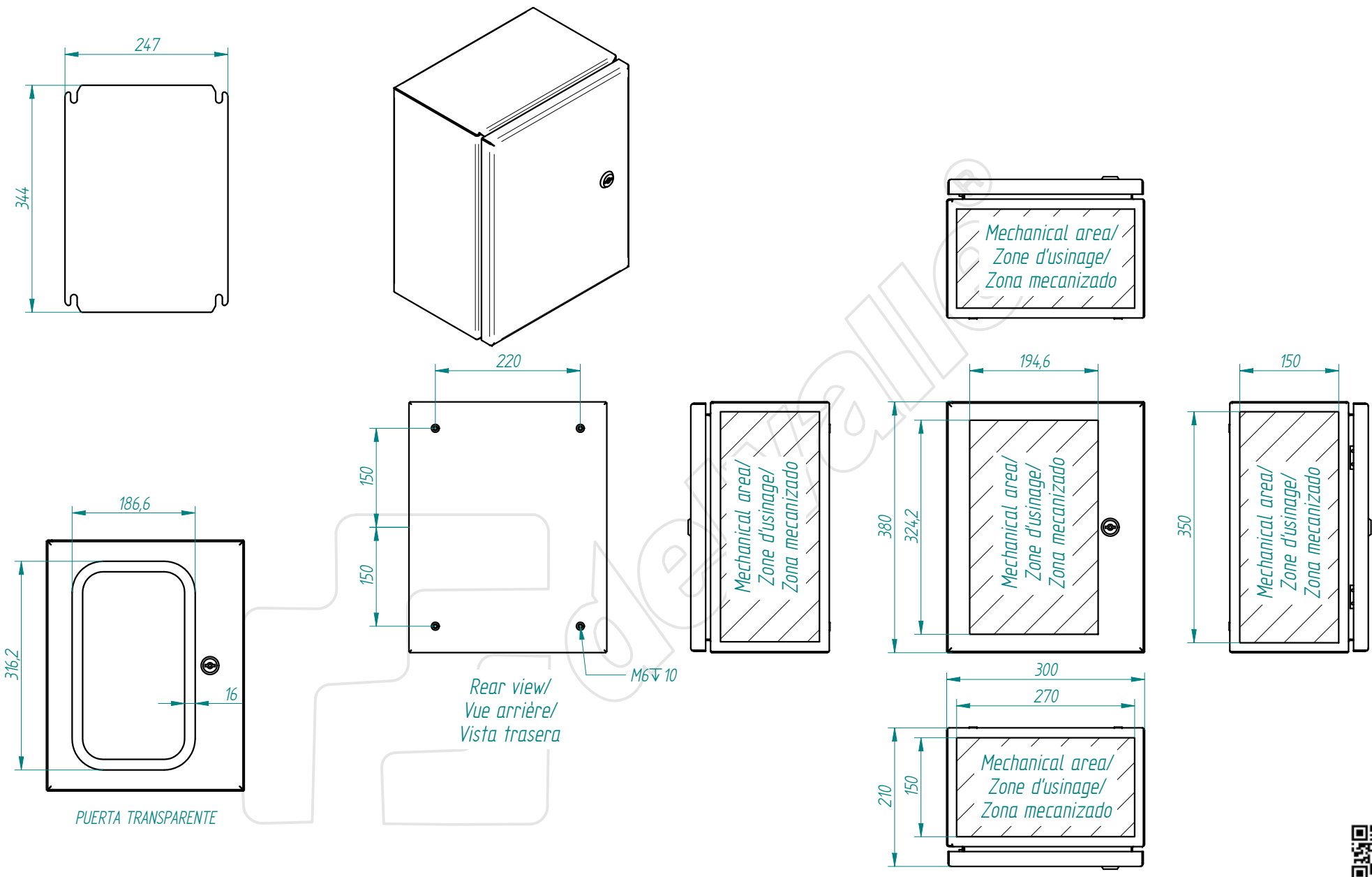
Rear view /
Vue arrière /
Vista trasera


M6x10



TOLERANCIA GENERAL DE MECANIZACION según DIN 7168	Creación del documento	24/04/2015	D.MTNEZ	A	Referencia: - plegado: - acabado:	DIBUJADO:	FECHA:	FIRMA:	 N° PLANO:
	MODIFICACIONES	FECHA:	FIRMA:	REVISIÓN:		APROBADO:	24/04/2015	D.Martínez	
						DESIGNACIÓN:	Luxor-380x300x155-estandar		

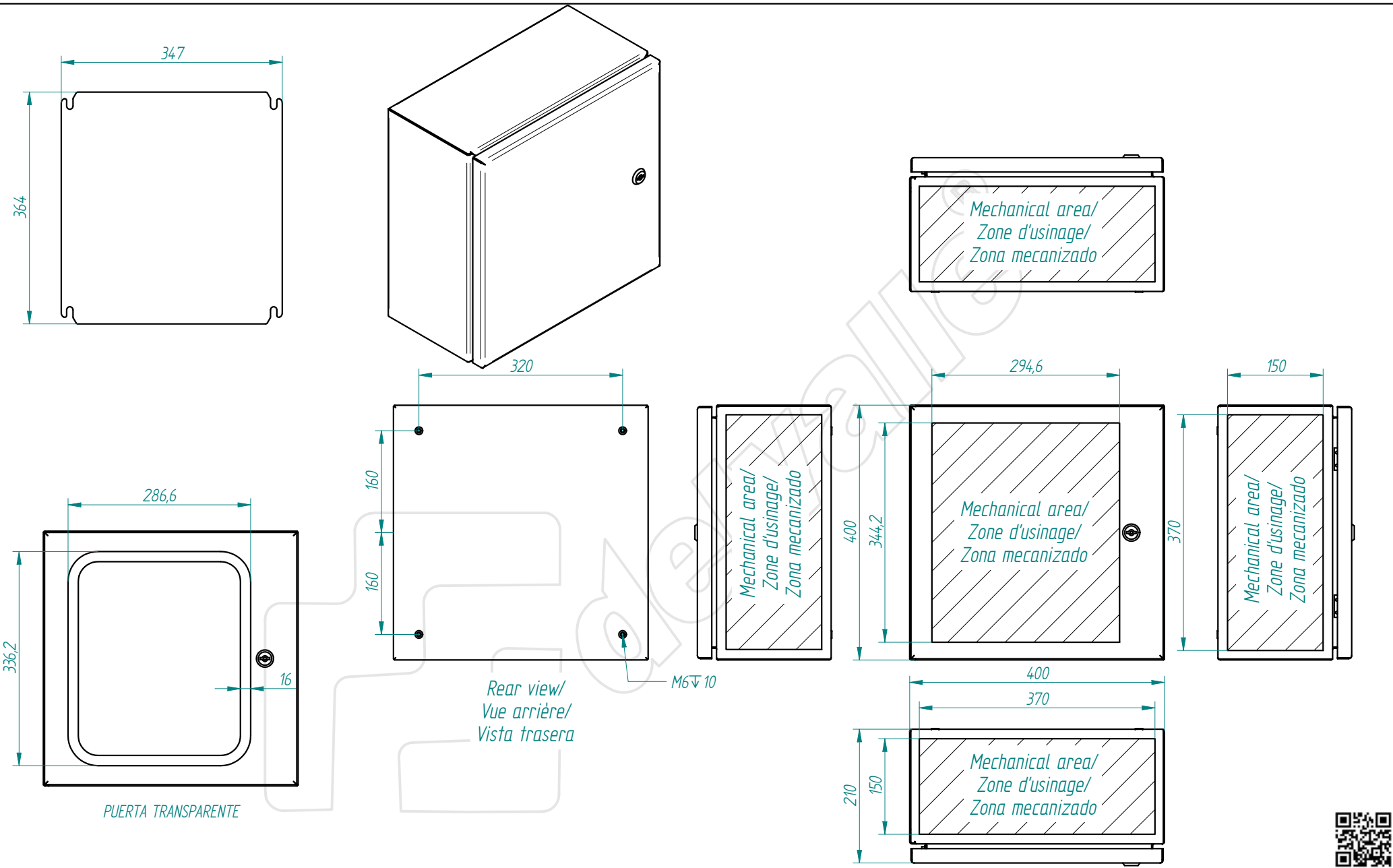
This present document and its contents are confidential, and are the exclusive intellectual and / or industrial property of DELVALLE. In addition to any technology, design, invention, work, process, know-how, calculation, method, solution, idea, improvement, drawing, diagram, modification, contribution and, in short, any associated information or documentation involving industrial or intellectual property developed or supplied by DELVALLE on the occasion of the quote, order execution or incorporated into the design or operation of the supply. The recipient may not use such property in his favour or in that of a third party for purposes other than the fulfilment of the order and the operation and maintenance of the supply, without the prior written consent of DELVALLE. It is strictly forbidden to totally or partially reproduce this document and to misuse it and / or to show it to third parties. The infringing parties shall be required to pay the corresponding compensation for damages, and any other legal or criminal responsibility is the infringement may give rise to.




TOLERANCIA GENERAL DE MECANIZACION según DIN 7168	Creación del documento	24/04/2015	D.MTNEZ	A	Referencia: - plegado: - acabado:	DIBUJADO:	FECHA:	FIRMA:	 Nº PLANO:
	MODIFICACIONES	FECHA:	FIRMA:	REVISIÓN:		APROBADO:	24/04/2015	D.Martinez	
							DESIGNACIÓN:	Luxor-380x300x210-estandar	

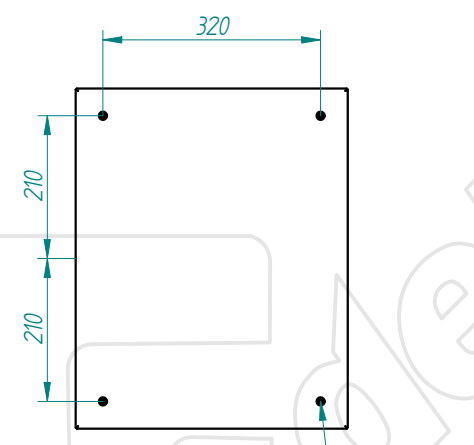
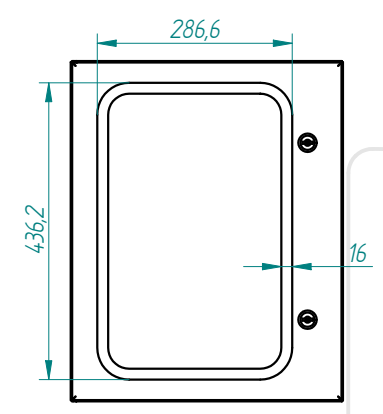
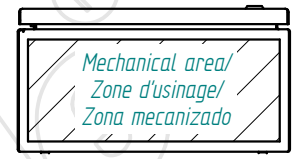
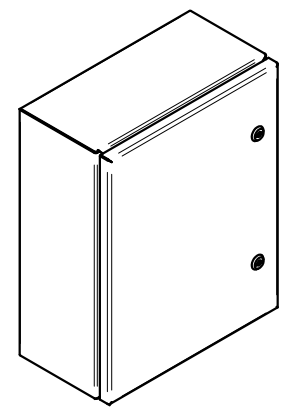
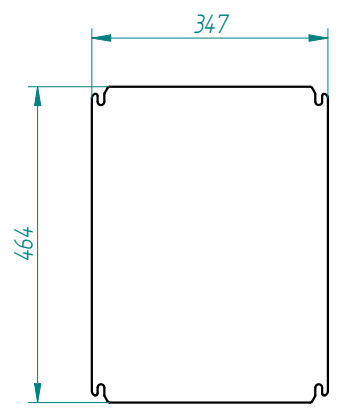


This present document and its contents are confidential, and are the exclusive intellectual and / or industrial property of DELVALLE. In addition to any technology, design, invention, work, process, know-how, calculation, manual, solution, idea, improvement, drawing, diagram, modification, contribution and, in short, any associated information or documentation involving industrial or intellectual property developed or supplied by DELVALLE on the occasion of the quote, order execution or incorporated into the design or operation of the supply. The recipient may not use such property in his favour or in that of a third party for purposes other than the fulfilment of the order and the operation and maintenance of the supply, without the prior written consent of DELVALLE. It is strictly forbidden to totally or partially reproduce this document and to misuse it and / or to show it to third parties. The infringing parties shall be required to pay the corresponding compensation for damages, and any other legal or criminal responsibility. The infringement may give rise to.

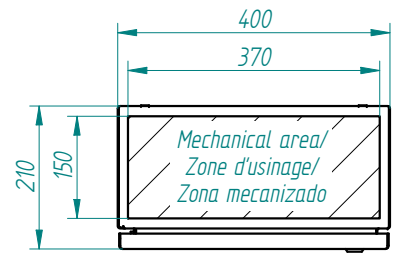
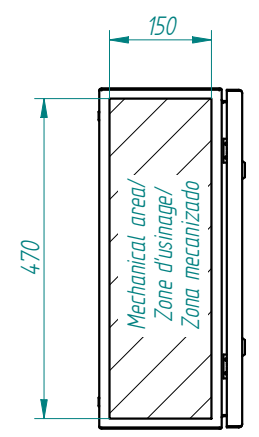
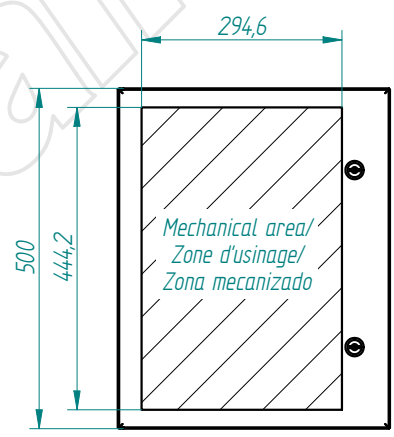


TOLERANCIA GENERAL DE MECANIZACION según DIN 7168	Creación del documento	24/04/2015	D.MTNEZ	A	Referencia: - plegado: - acabado:	DIBUJADO:	FECHA:	FIRMA:	 Nº PLANO:
	MODIFICACIONES	FECHA:	FIRMA:	REVISIÓN:		APROBADO:	24/04/2015	D.Martinez	
DESIGNACIÓN: Luxor 400x400x210-estandar									

This present document and its contents are confidential, and are the exclusive intellectual and / or industrial property of DELVALLE. In addition to any technology, design, invention, work, process, know-how, calculation, manual, method, solution, idea, improvement, drawing, diagram, modification, contribution and, in short, any associated information or documentation involving industrial or intellectual property developed or supplied by DELVALLE on the occasion of the quote, order execution or incorporated into the design or operation of the supply. The recipient may not use such property in his favour or in that of a third party for purposes other than the fulfilment of the order and the operation and maintenance of the supply, without the prior written consent of DELVALLE. It is strictly forbidden to totally or partially reproduce this document and to misuse it or to show it to third parties. The infringing parties shall be required to pay the corresponding compensation for damages, and any other legal or criminal responsibilities. The infringement may give rise to.

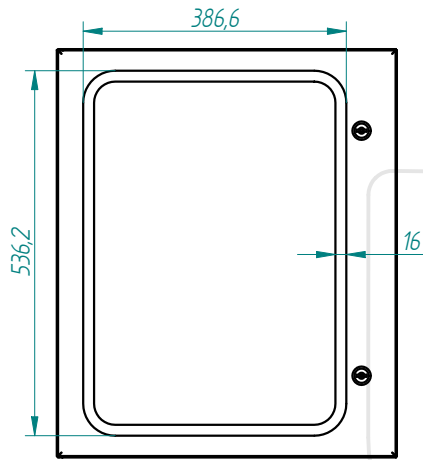
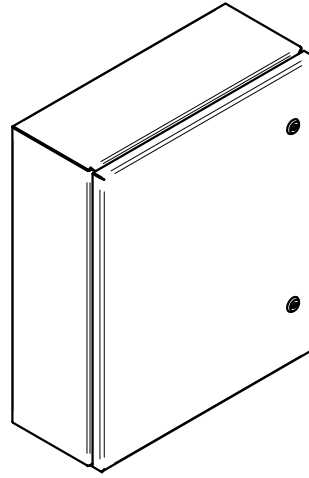
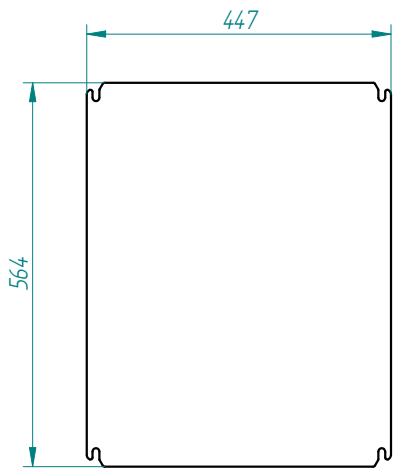


Rear view/
Vue arrière/
Vista trasera

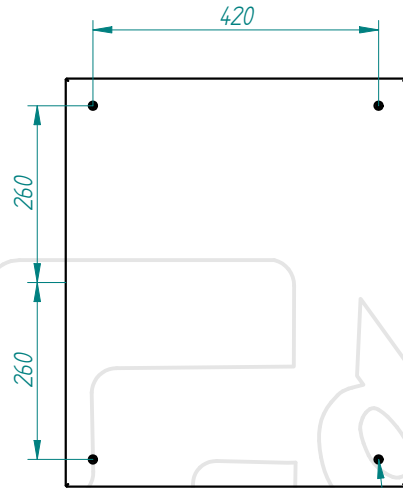


TOLERANCIA GENERAL DE MECANIZACION según DIN 7168				Referencia:	FECHA:		FIRMA:	
					24/04/2015		D.Martínez	
Creación del documento				24/04/2015	D.MTNEZ	A		Nº PLANO:
MODIFICACIONES				FECHA:	FIRMA:	REVISIÓN:		
					- plegado: - acabado:		DESIGNACIÓN:	
					Luxor-500x400x210-estandar			

This present document and its contents are confidential, and are the exclusive intellectual and / or industrial property of DELVALLE. In addition to any technology, design, invention, work, process, know-how, calculation, manual, method, solution, idea, improvement, drawing, diagram, modification, contribution and, in short, any associated information or documentation involving industrial or intellectual property developed or supplied by DELVALLE on the occasion of the quote, order execution or incorporated into the design or operation of the supply. The recipient may not use such property in his favour or in that of a third party for purposes other than the fulfilment of the order and the operation and maintenance of the supply, without the prior written consent of DELVALLE. It is strictly forbidden to totally or partially reproduce this document and to misuse it and / or to show it to third parties. The infringing parties shall be required to pay the corresponding compensation for damages, and any other legal or criminal responsibilities, the infringement may give rise to.

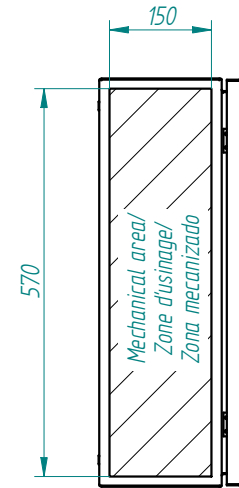
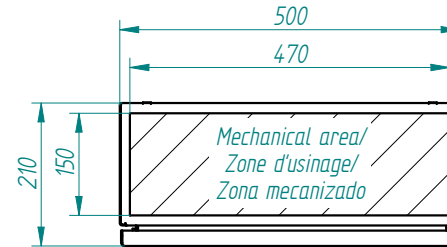
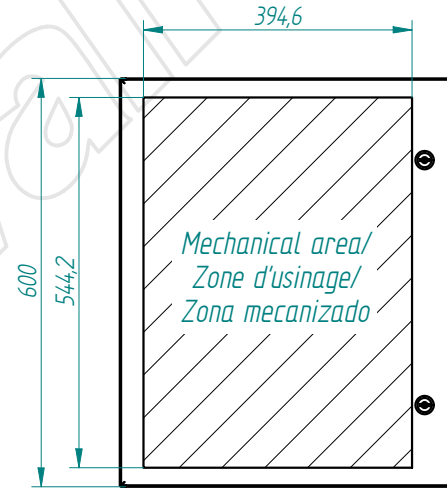
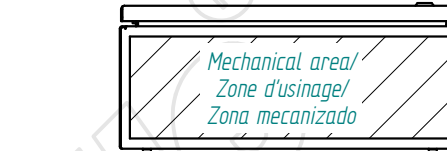



PUERTA TRANSPARENTE



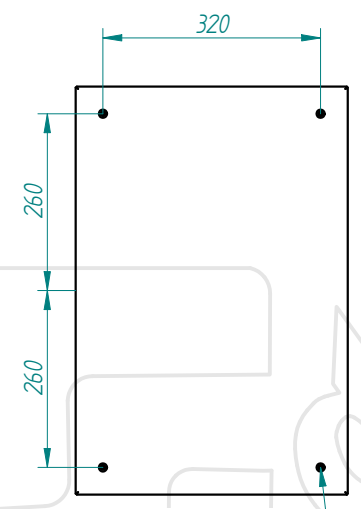
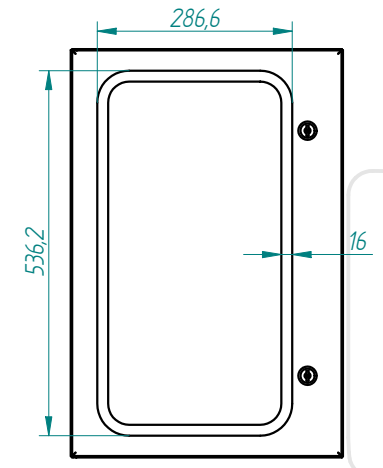
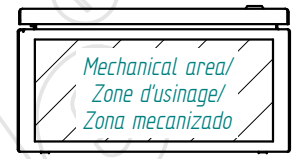
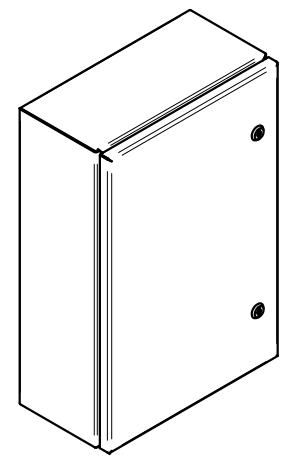
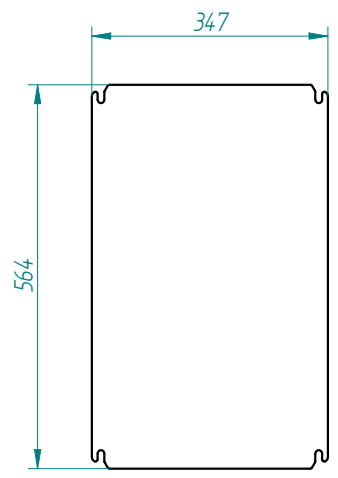
Rear view/
Vue arrière/
Vista trasera

M6 ∇ 10



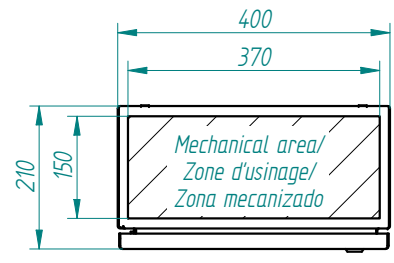
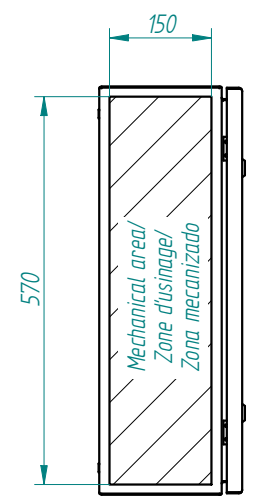
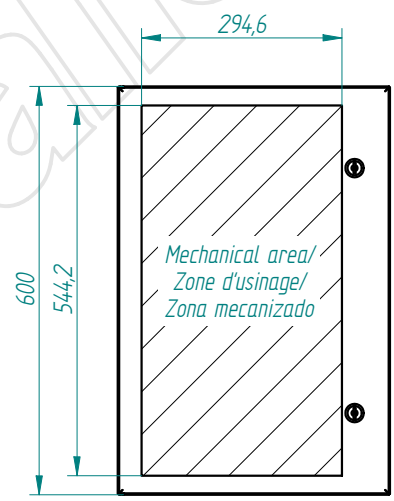
TOLERANCIA GENERAL DE MECANIZACION según DIN 7168	Creación del documento	24/04/2015	D.MTNEZ	A	Referencia: - plegado: - acabado:	DIBUJADO:	FECHA:	FIRMA:	
	MODIFICACIONES	FECHA:	FIRMA:	REVISIÓN:		APROBADO:	24/04/2015	D.Martinez	
DESIGNACIÓN: Luxor-500x500x210-estandar						Nº PLANO:			

This present document and its contents are confidential, and are the exclusive intellectual and / or industrial property of DELVALLE. In addition to any technology, design, invention, work, process, know-how, calculation, manual, method, solution, idea, improvement, drawing, diagram, modification, contribution and, in short, any associated information or documentation involving industrial or intellectual property developed or supplied by DELVALLE on the occasion of the quote, order execution or incorporated into the design or operation of the supply. The recipient may not use such property in his favour or in that of a third party for purposes other than the fulfilment of the order and the operation and maintenance of the supply, without the prior written consent of DELVALLE. It is strictly forbidden to totally or partially reproduce this document and to misuse it and / or to show it to third parties. The infringing parties shall be required to pay the corresponding compensation for damages, and any other legal or criminal responsibility is the infringer's sole responsibility.



Rear view/
Vue arrière/
Vista trasera

M6x10

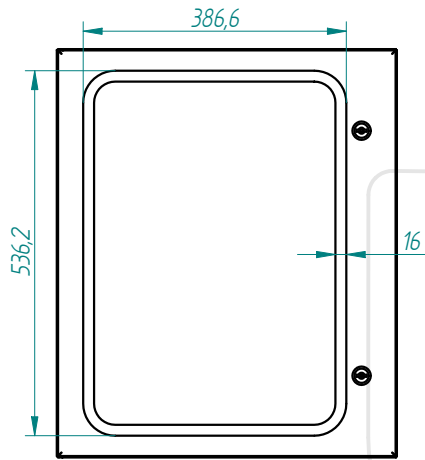
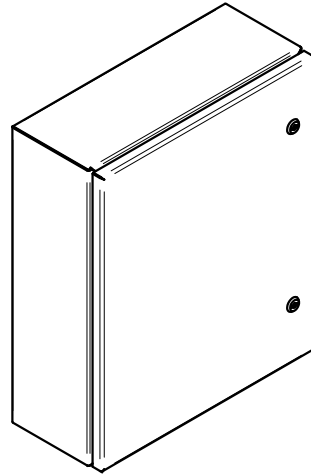
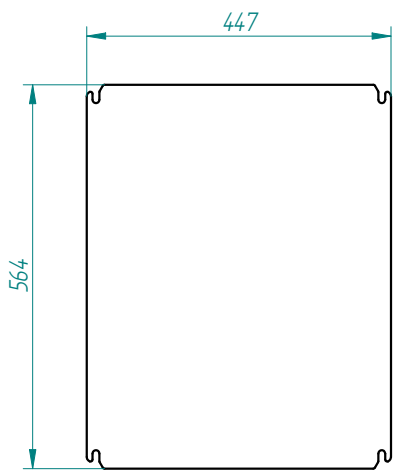


PUERTA TRANSPARENTE

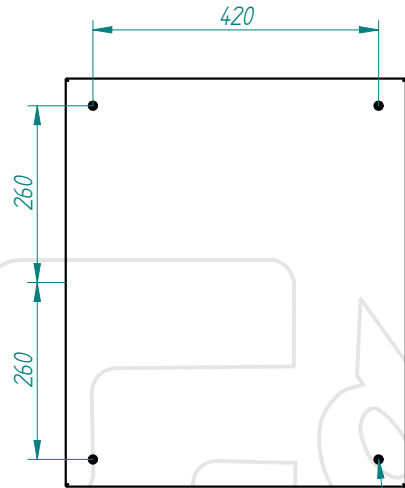


TOLERANCIA GENERAL DE MECANIZACION según DIN 7168	Creación del documento	09/11/2018	D.MARTNEZ	A	Referencia: - plegado: - acabado:	DIBUJADO:	09/11/2018	FIRMA: D.Martinez	
	MODIFICACIONES	FECHA:	FIRMA:	REVISIÓN:		APROBADO:	09/11/2018	D.Martinez	
DESIGNACIÓN: Luxor-600x400x210-estandar						Nº PLANO:			

This present document and its contents are confidential, and are the exclusive intellectual and / or industrial property of DELVALLE. In addition to any technology, design, invention, work, process, know-how, calculation, manual, method, solution, idea, improvement, drawing, diagram, modification, contribution and, in short, any associated information or documentation involving industrial or intellectual property developed or supplied by DELVALLE on the occasion of the quote, order execution or incorporated into the design or operation of the supply. The recipient may not use such property in his favour or in that of a third party for purposes other than the fulfilment of the order and the operation and maintenance of the supply, without the prior written consent of DELVALLE. It is strictly forbidden to totally or partially reproduce this document and to misuse it and / or to show it to third parties. The infringing parties shall be required to pay the corresponding compensation for damages and any other legal or criminal responsibilities. The infringement may give rise to.

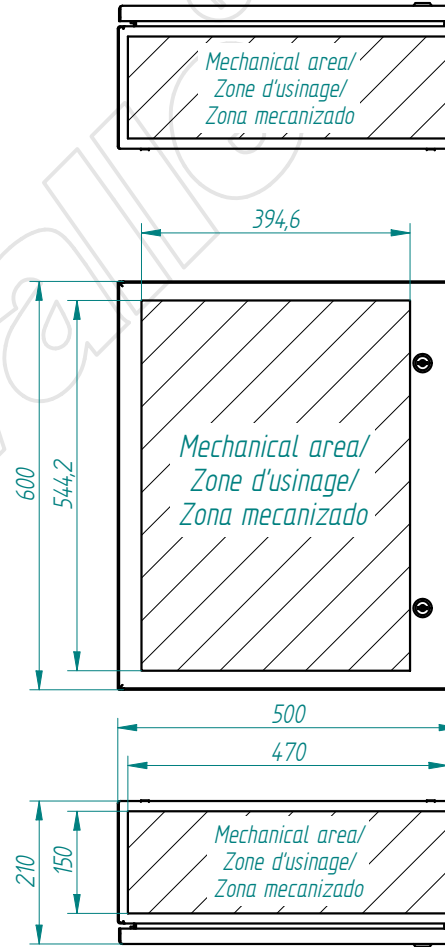


PUERTA TRANSPARENTE



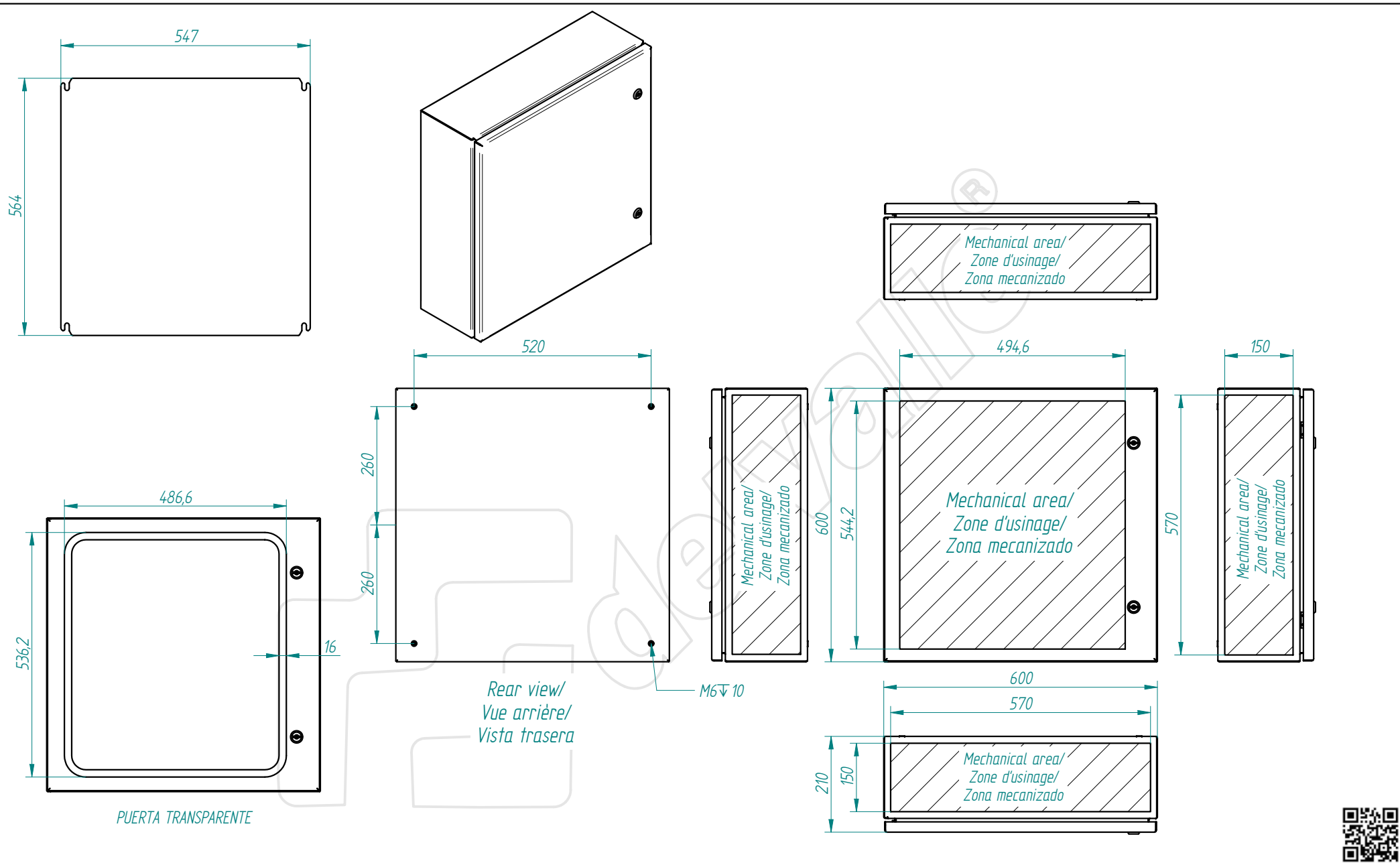
Rear view/
Vue arrière/
Vista trasera


M6 ∇ 10



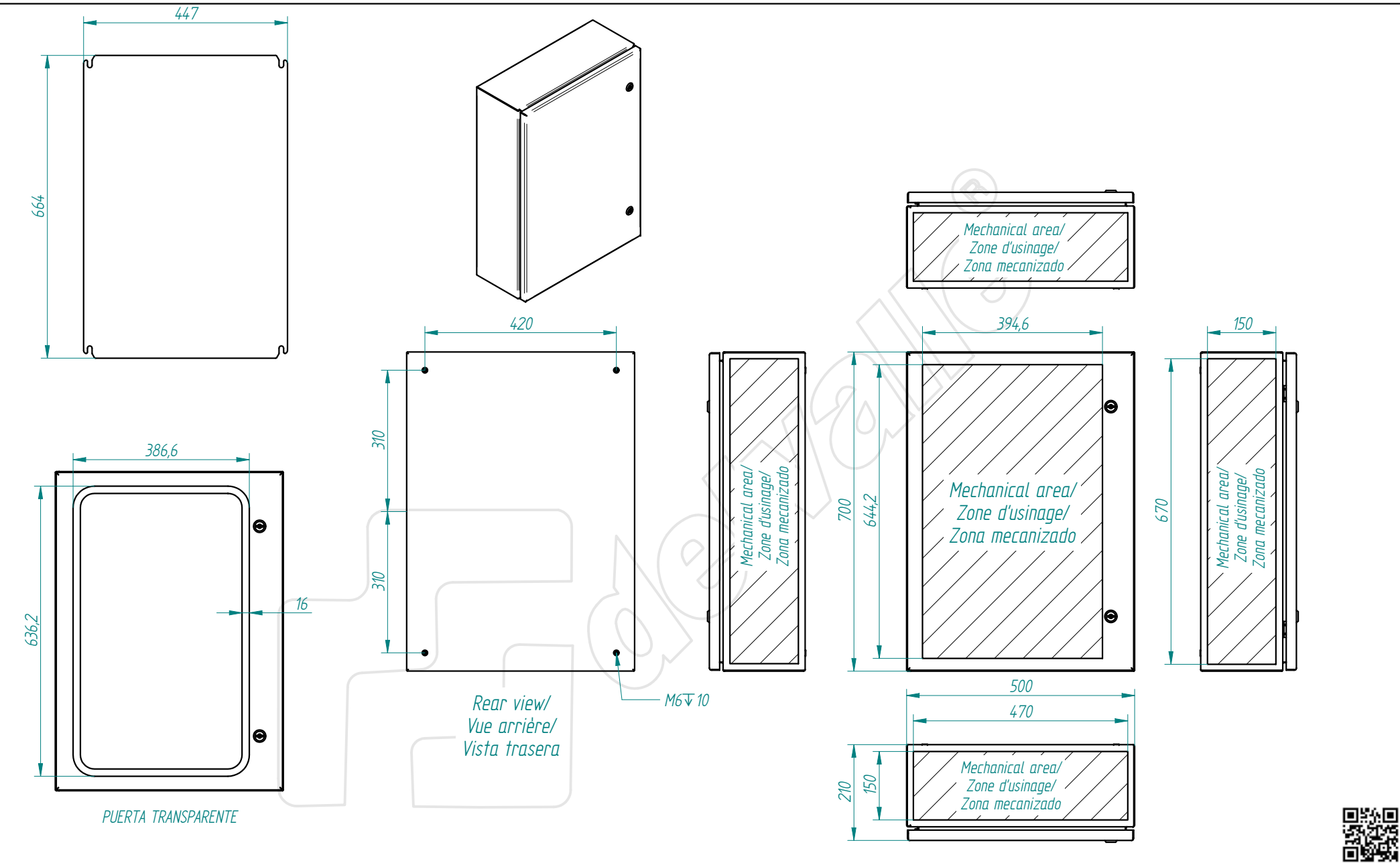
TOLERANCIA GENERAL DE MECANIZACION según DIN 7168				Referencia:	FECHA:		FIRMA:	
					24/04/2015		D.Martínez	
					APROBADO:		D.Martínez	Nº PLANO:
					24/04/2015			
	Creación del documento	24/04/2015	D.MTNEZ	A	DESIGNACIÓN:			
	MODIFICACIONES	FECHA:	FIRMA:	REVISIÓN:	Luxor-600x500x210-estandar			
					<p>- plegado: acabado:</p>			


This present document and its contents are confidential, and are the exclusive intellectual and / or industrial property of DELVALLE. In addition to any technology, design, invention, work, process, know-how, calculation, manual, method, solution, idea, improvement, drawing, diagram, modification, contribution and, in short, any associated information or documentation involving industrial or intellectual property developed or supplied by DELVALLE on the occasion of the quote, order execution or incorporated into the design or operation of the supply. The recipient may not use such property in his favour or in that of a third party for purposes other than the fulfilment of the order and the operation and maintenance of the supply, without the prior written consent of DELVALLE. It is strictly forbidden to totally or partially reproduce this document and to misuse it and / or to show it to third parties. The infringing parties shall be required to pay the corresponding compensation for damages, and any other legal or criminal responsibilities, the infringement may give rise to.



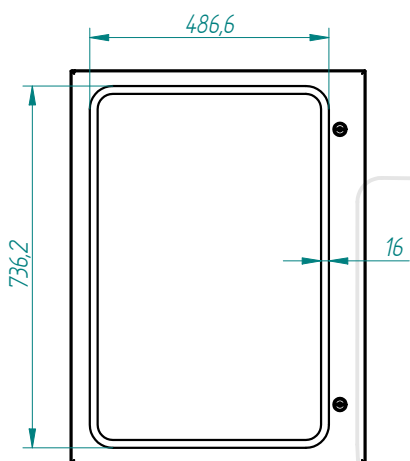
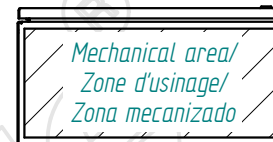
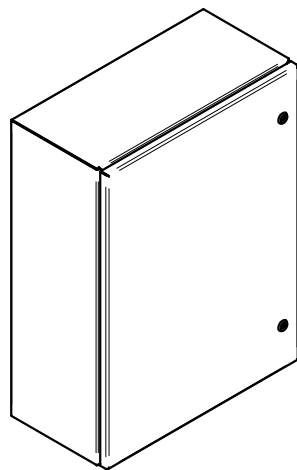
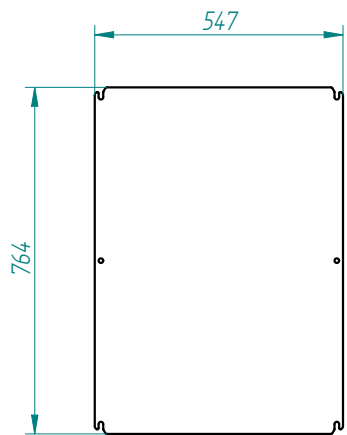
TOLERANCIA GENERAL DE MECANIZACION según DIN 7168	Creación del documento	24/04/2015	D.MTNEZ	A	Referencia: - plegado: - acabado:	DIBUJADO:	FECHA:	FIRMA:	 Nº PLANO:
	MODIFICACIONES	FECHA:	FIRMA:	REVISIÓN:		APROBADO:	24/04/2015	D.Martinez	
DESIGNACIÓN: Luxor-600x600x210-estandar									

This present document and its contents are confidential, and are the exclusive intellectual and / or industrial property of DELVALLE. In addition to any technology, design, invention, work, process, know-how, calculation, manual, method, solution, idea, improvement, drawing, diagram, modification, contribution and, in short, any associated information or documentation involving industrial or intellectual property developed or supplied by DELVALLE on the occasion of the quote, order execution or incorporated into the design or operation of the supply. The recipient may not use such property in his favour or in that of a third party for purposes other than the fulfilment of the order and the operation and maintenance of the supply, without the prior written consent of DELVALLE. It is strictly forbidden to totally or partially reproduce this document and to misuse it and / or to show it to third parties. The infringing parties shall be required to pay the corresponding compensation for damages, and any other legal or criminal responsibility is the infringer's. The infringer may give rise to.

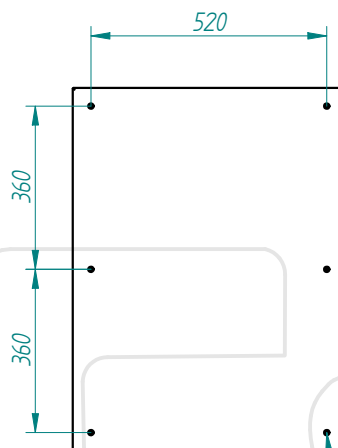


TOLERANCIA GENERAL DE MECANIZACION según DIN 7168	Creación del documento	24/04/2015	D.MTNEZ	A	Referencia: - plegado: acabado:	DIBUJADO:	FECHA:	FIRMA:	
	MODIFICACIONES	FECHA:	FIRMA:	REVISIÓN:		APROBADO:	24/04/2015	D.Martinez	
DESIGNACIÓN: Luxor-700x500x210-estandar						Nº PLANO:			

This present document and its contents are confidential, and are the exclusive intellectual and / or industrial property of DELVALLE. In addition to any technology, design, invention, work, process, know-how, calculation, method, solution, idea, improvement, drawing, diagram, modification, contribution and, in short, any associated information or documentation involving industrial or intellectual property developed or supplied by DELVALLE on the occasion of the quote, order execution or incorporated into the design or operation of the supply. The recipient may not use such property in his favour or in that of a third party for purposes other than the fulfilment of the order and the operation and maintenance of the supply, without the prior written consent of DELVALLE. It is strictly forbidden to totally or partially reproduce this document and to misuse it and / or to show it to third parties. The infringing parties shall be required to pay the corresponding compensation for damages, and any other legal or criminal responsibility is the infringement may give rise to.

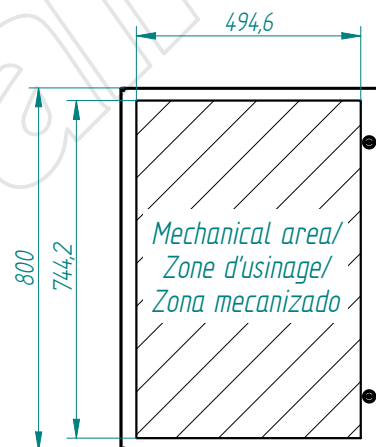


PUERTA TRANSPARENTE

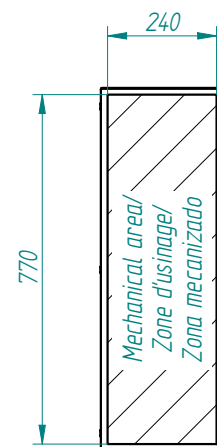


Rear view/
Vue arrière/
Vista trasera

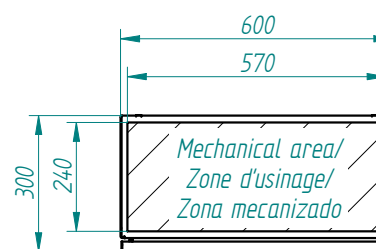
M6x10



Mechanical area/
Zone d'usinage/
Zona mecanizado




Mechanical area/
Zone d'usinage/
Zona mecanizado

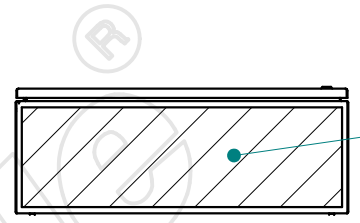
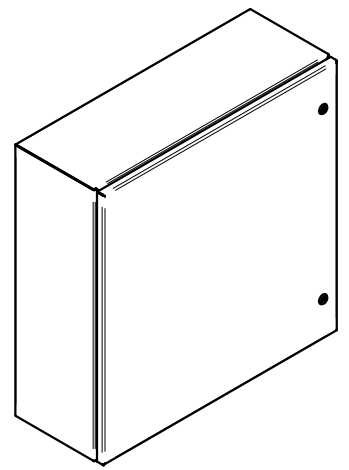
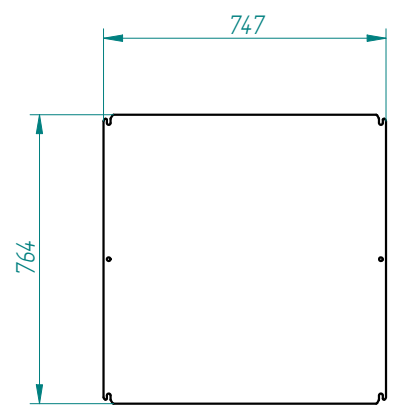


Mechanical area/
Zone d'usinage/
Zona mecanizado

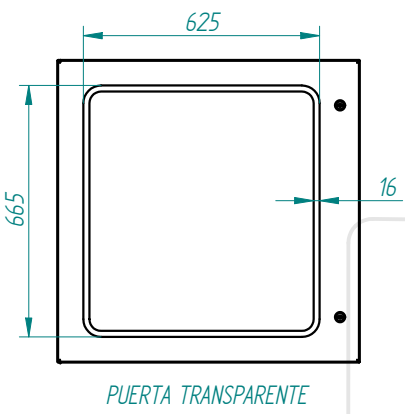


TOLERANCIA GENERAL DE MECANIZACION según DIN 7168					Referencia:	DIBUJADO:	FECHA:	FIRMA:	
							24/04/2015	D.Martínez	
	Creación del documento	24/04/2015	D.MTNEZ	A	-	APROBADO:	24/04/2015	D.Martínez	Nº PLANO:
	MODIFICACIONES	FECHA:	FIRMA:	REVISIÓN:	plegado: acabado:	DESIGNACIÓN:			
						Luxor-800x600x300-estandar			

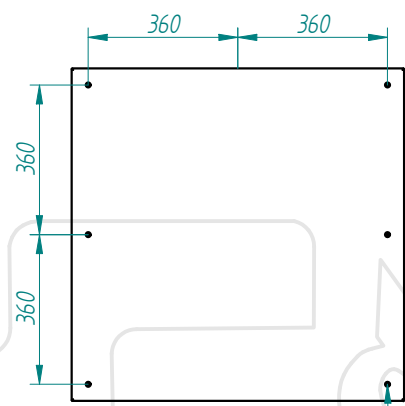
This present document and its contents are confidential, and are the exclusive intellectual and / or industrial property of DELVALLE. In addition to any technology, design, invention, work, process, know-how, calculation, manual, method, solution, idea, improvement, drawing, diagram, modification, contribution and, in short, any associated information or documentation involving industrial or intellectual property developed or supplied by DELVALLE on the occasion of the quote, order execution or incorporated into the design or operation of the supply. The recipient may not use such property in his favour or in that of a third party for purposes other than the fulfilment of the order and the operation and maintenance of the supply, without the prior written consent of DELVALLE. It is strictly forbidden to totally or partially reproduce this document and to misuse it or to show it to third parties. The infringing parties shall be required to pay the corresponding compensation for damages, and any other legal or criminal responsibility is the infringement may give rise to.



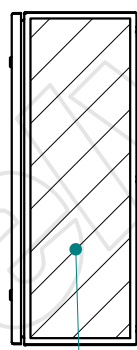
Mechanical area/
Zone d'usinage/
Zona mecanizado



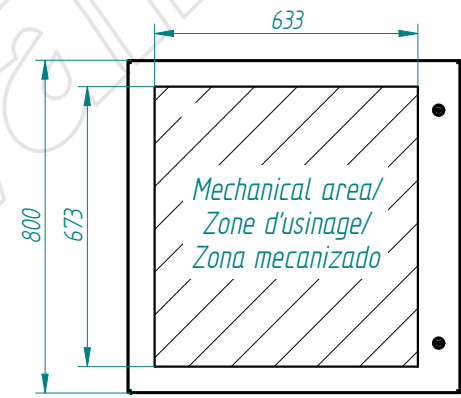
PUERTA TRANSPARENTE



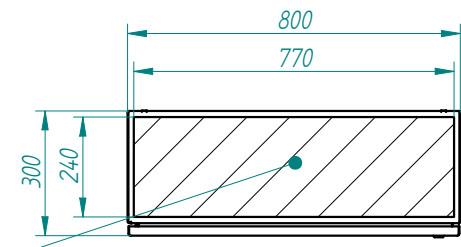
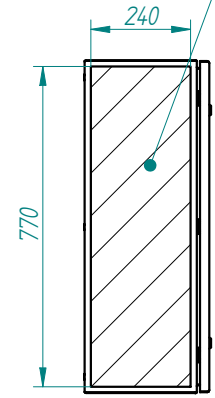
Rear view/
Vue arrièrè/
Vista trasera




Mechanical area/
Zone d'usinage/
Zona mecanizado



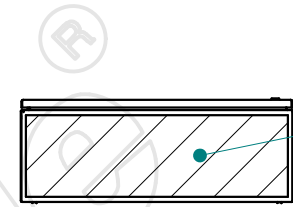
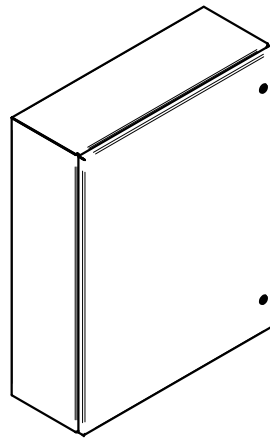
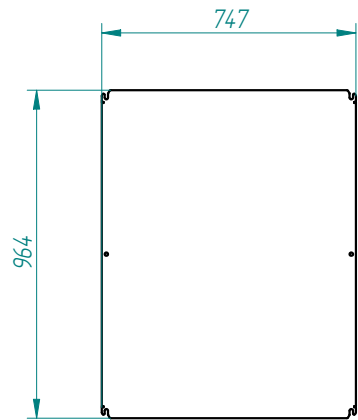
Mechanical area/
Zone d'usinage/
Zona mecanizado



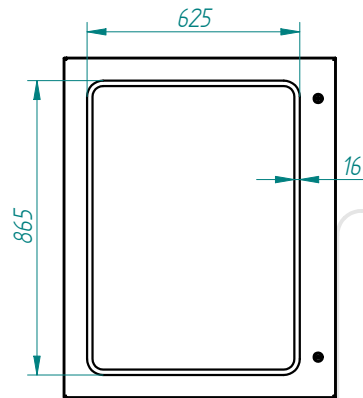
TOLERANCIA GENERAL DE MECANIZACION según DIN 7168	Creación del documento	11/06/2015	D.MTNEZ	A	Referencia: - plegado: - acabado:	DIBUJADO:	FECHA: 11/06/2015	FIRMA: D.Martinez	 Nº PLANO:
	MODIFICACIONES	FECHA:	FIRMA:	REVISIÓN:		APROBADO:	11/06/2015	D.Martinez	
DESIGNACIÓN:						Luxor-800x800x300-estandar			



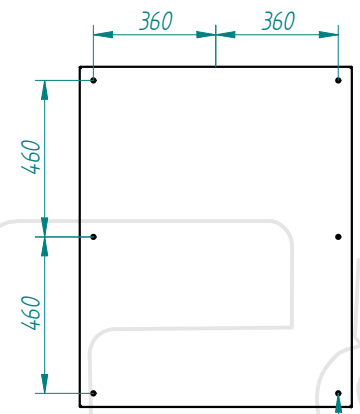
This present document and its contents are confidential, and are the exclusive intellectual and / or industrial property of DELVALLE. In addition to any technology, design, invention, work, process, know-how, calculation, manual, method, solution, idea, improvement, drawing, diagram, modification, contribution and, in short, any associated information or documentation involving industrial or intellectual property developed or supplied by DELVALLE on the occasion of the quote, order execution or incorporated into the design or operation of the supply. The recipient may not use such property in his favour or in that of a third party for purposes other than the fulfilment of the order and the operation and maintenance of the supply, without the prior written consent of DELVALLE. It is strictly forbidden to totally or partially reproduce this document and to misuse it and / or to show it to third parties. The infringing parties shall be required to pay the corresponding compensation for damages, and any other legal or criminal responsibility is the infringement may give rise to.



Mechanical area/
Zone d'usinage/
Zona mecanizado

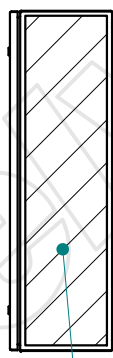


PUERTA TRANSPARENTE

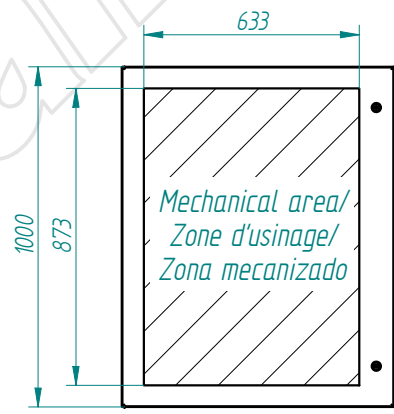


Rear view/
Vue arrière/
Vista trasera

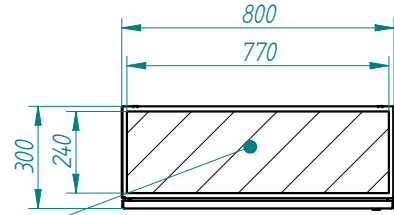
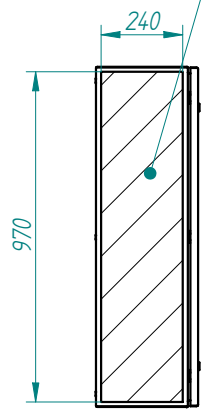
M6x10



Mechanical area/
Zone d'usinage/
Zona mecanizado

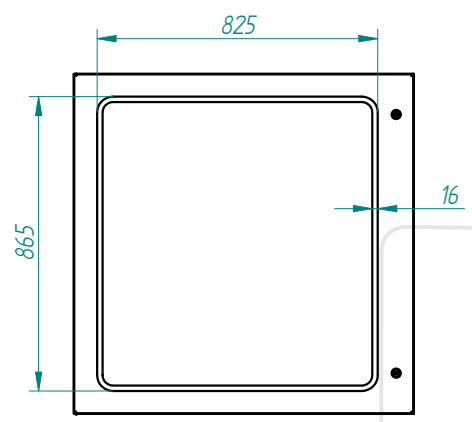
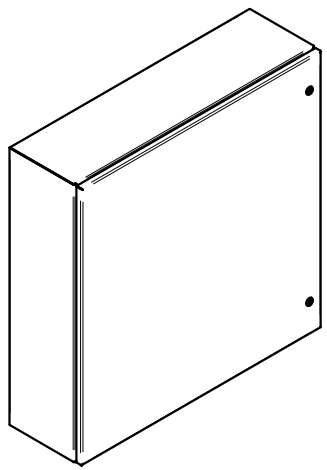
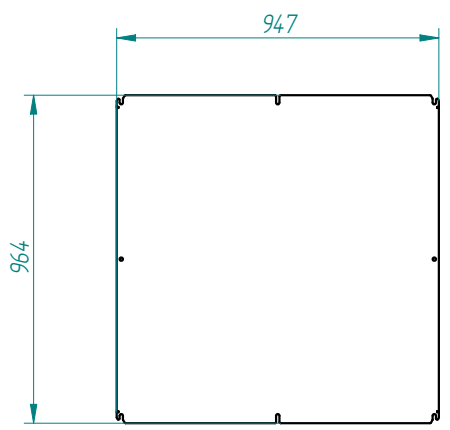


Mechanical area/
Zone d'usinage/
Zona mecanizado

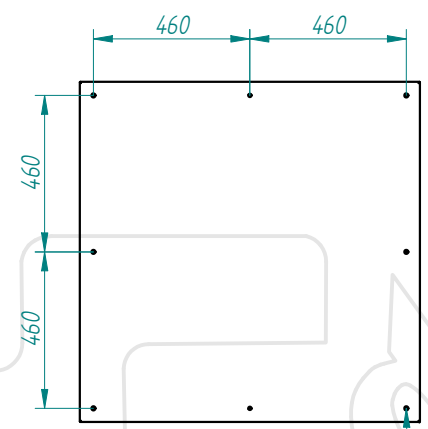


TOLERANCIA GENERAL DE MECANIZACION según DIN 7168				Referencia:			
					DIBUJADO: 11/06/2015	FIRMA: D.Martinez	
					APROBADO: 11/06/2015	FIRMA: D.Martinez	Nº PLANO:
Creación del documento			11/06/2015	D.MTNEZ	A	DESIGNACIÓN: Luxor-1000x800x300-estandar	
MODIFICACIONES			FECHA:	FIRMA:	REVISIÓN:		
						- plegado: acabado.	

This present document and its contents are confidential, and are the exclusive intellectual and / or industrial property of DELVALLE . In addition to any technology, design, invention, work, process, know-how, calculation, manual, method, solution, idea, improvement, drawing, diagram, modification, contribution and, in short, any associated information or documentation involving industrial or intellectual property developed or supplied by DELVALLE on the occasion of the quote, order execution or incorporated into the design or operation of the supply. The recipient may not use such property in his favour or in that of a third party for purposes other than the fulfilment of the order and the operation and maintenance of the supply, without the prior written consent of DELVALLE. It is strictly forbidden to totally or partially reproduce this document and to misuse it and / or to show it to third parties. The infringing parties shall be required to pay the corresponding compensation for damages, and any other legal or criminal responsibilities, the infringement may give rise to.

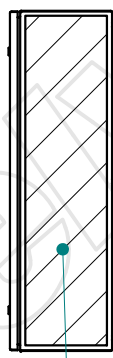


PUERTA TRANSPARENTE

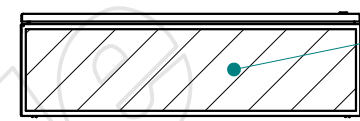


Rear view/
Vue arrière/
Vista trasera

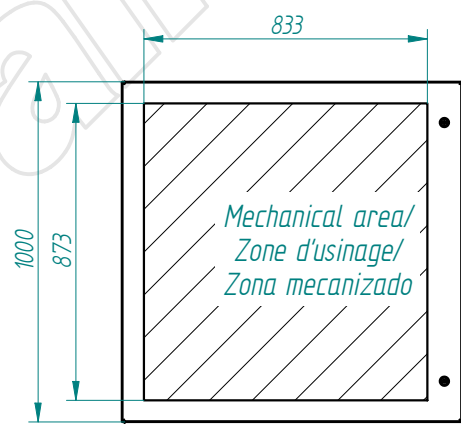
M6x10



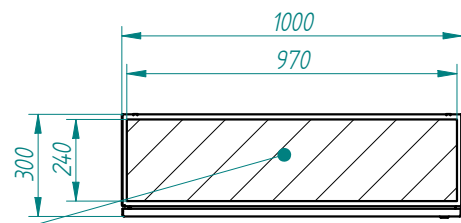
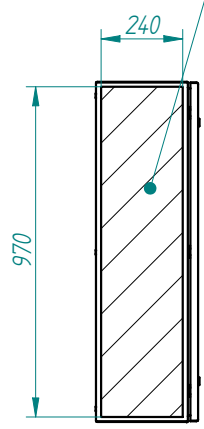
Mechanical area/
Zone d'usinage/
Zona mecanizado




Mechanical area/
Zone d'usinage/
Zona mecanizado

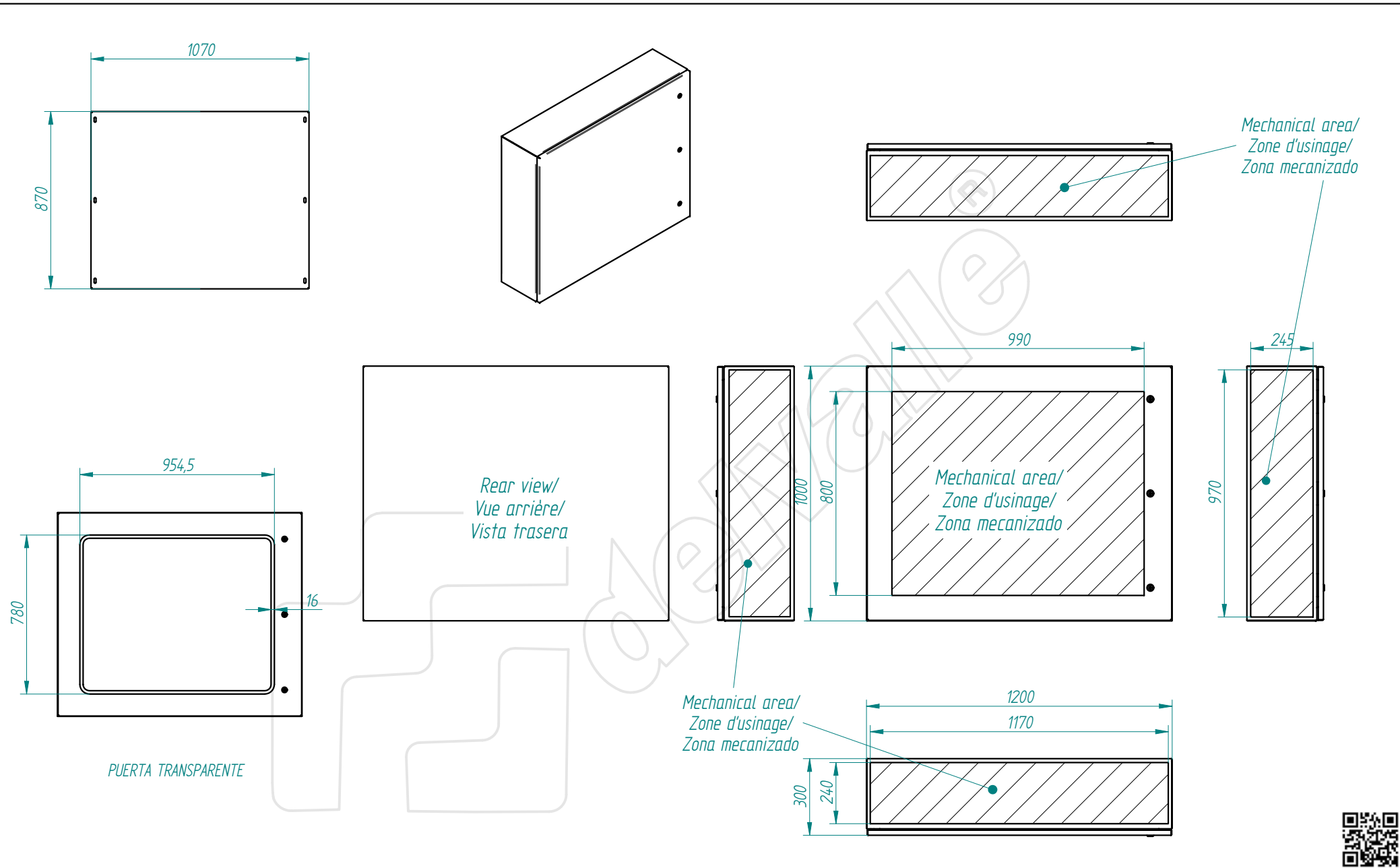


Mechanical area/
Zone d'usinage/
Zona mecanizado



TOLERANCIA GENERAL DE MECANIZACION según DIN 7168	Creación del documento	11/06/2015	D.MTNEZ	A	Referencia: - plegado: - acabado:	DIBUJADO:	FECHA: 11/06/2015	FIRMA: D.Martinez	 N° PLANO:
	MODIFICACIONES	FECHA:	FIRMA:	REVISIÓN:		DESIGNACIÓN: Luxor-1000x1000x300-estandar	APROBADO:	11/06/2015	

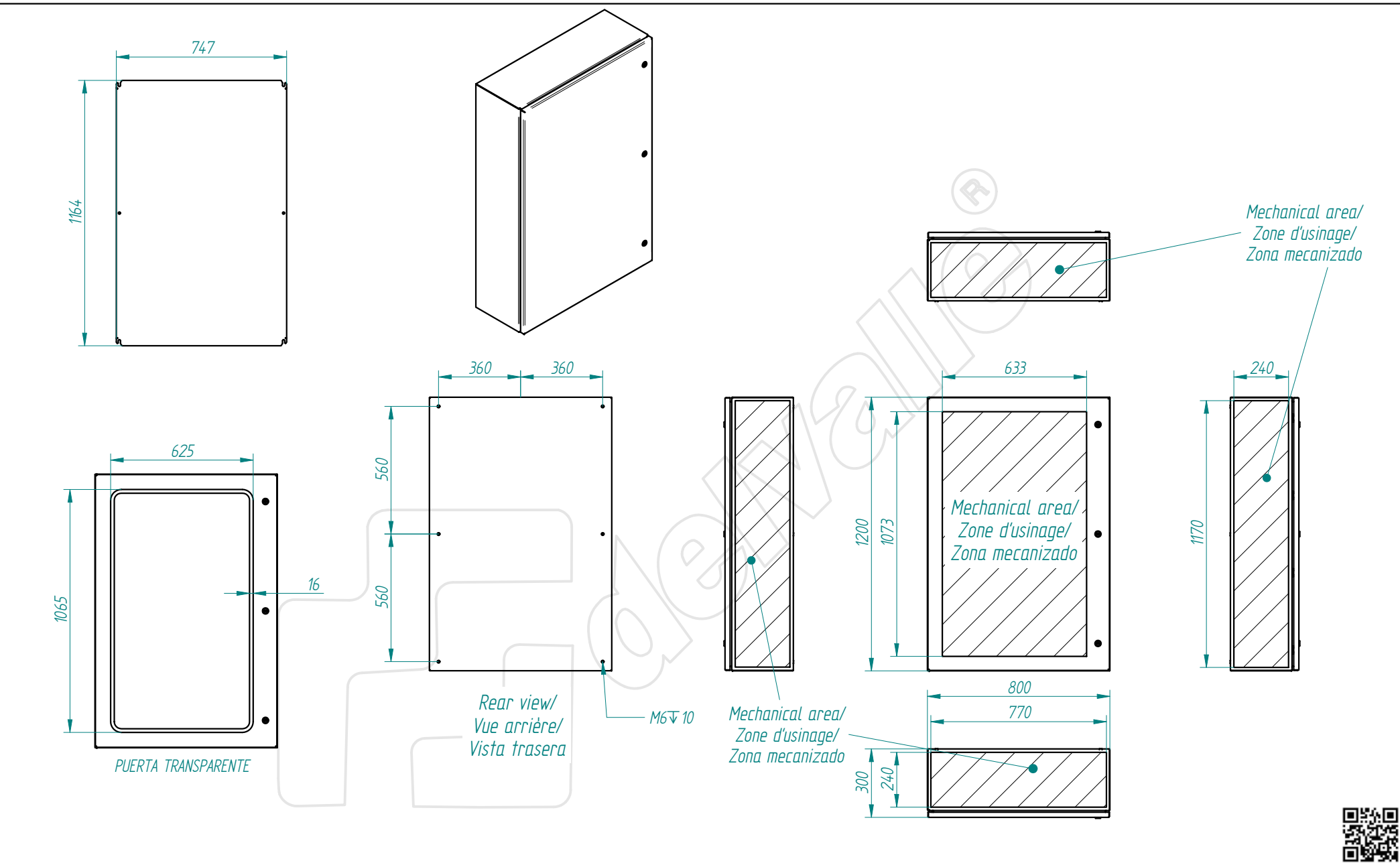
This present document and its contents are confidential, and are the exclusive intellectual and / or industrial property of DELVALLE. In addition to any technology, design, invention, work, process, know-how, calculation, manual, method, solution, idea, improvement, drawing, diagram, modification, contribution and, in short, any associated information or documentation involving industrial or intellectual property developed or supplied by DELVALLE on the occasion of the quote, order execution or incorporated into the design or operation of the supply. The recipient may not use such property in his favour or in that of a third party for purposes other than the fulfilment of the order and the operation and maintenance of the supply, without the prior written consent of DELVALLE. It is strictly forbidden to totally or partially reproduce this document and to misuse it and / or to show it to third parties. The infringing parties shall be required to pay the corresponding compensation for damages, and any other legal or criminal responsibilities, the infringement may give rise to.




TOLERANCIA GENERAL DE MECANIZACION según DIN 7168					Referencia:			
	Creación del documento	11/01/2017	J.Cast	A		- plegado: acabado:	DIBUJADO: 11/01/2017	FECHA: 11/01/2017
	MODIFICACIONES	FECHA:	FIRMA:	REVISIÓN:		DESIGNACIÓN: Luxor -1000x1200x300- estandar		Nº PLANO:



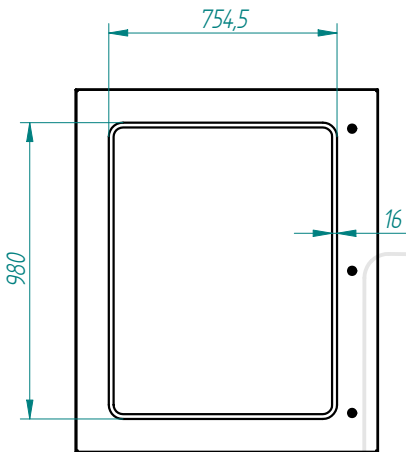
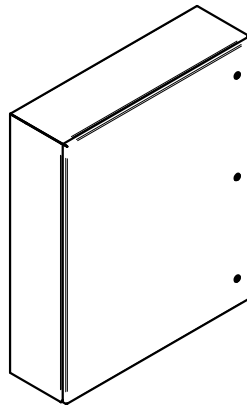
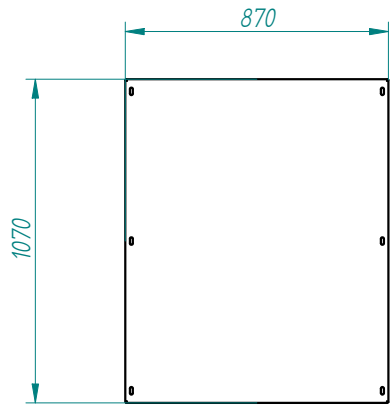
This present document and its contents are confidential, and are the exclusive intellectual and / or industrial property of DELVALLE. In addition to any technology, design, invention, work, process, know-how, calculation, manual, method, solution, idea, improvement, drawing, diagram, modification, contribution and, in short, any associated information or documentation involving industrial or intellectual property developed or supplied by DELVALLE on the occasion of the quote, order execution or incorporated into the design or operation of the supply. The recipient may not use such property in his favour or in that of a third party for purposes other than the fulfilment of the order and the operation and maintenance of the supply, without the prior written consent of DELVALLE. It is strictly forbidden to totally or partially reproduce this document and to misuse it and / or to show it to third parties. The infringing parties shall be required to pay the corresponding compensation for damages, and any other legal or criminal responsibilities, the infringement may give rise to.



TOLERANCIA GENERAL DE MECANIZACION según DIN 7168	Creación del documento	11/06/2015	D.MTNEZ	A	Referencia: - plegado: - acabado:	DIBUJADO:	11/06/2015	FIRMA: D.Martinez	
	MODIFICACIONES	FECHA:	FIRMA:	REVISIÓN:		APROBADO:	11/06/2015	D.Martinez	
DESIGNACIÓN: Luxor-1200x800x300-estandar						Nº PLANO:			



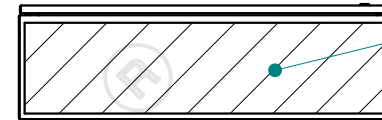
This present document and its contents are confidential, and are the exclusive intellectual and / or industrial property of DELVALLE. In addition to any technology, design, invention, work, process, know-how, calculation, manual, method, solution, idea, improvement, drawing, diagram, modification, contribution and, in short, any associated information or documentation involving industrial or intellectual property developed or supplied by DELVALLE on the occasion of the quote, order execution or incorporated into the design or operation of the supply. The recipient may not use such property in his favour or in that of a third party for purposes other than the fulfilment of the order and the operation and maintenance of the supply, without the prior written consent of DELVALLE. It is strictly forbidden to totally or partially reproduce this document and to misuse it or to show it to third parties. The infringing parties shall be required to pay the corresponding compensation for damages, and any other legal or criminal responsibilities, the infringement may give rise to.



PUERTA TRANSPARENTE



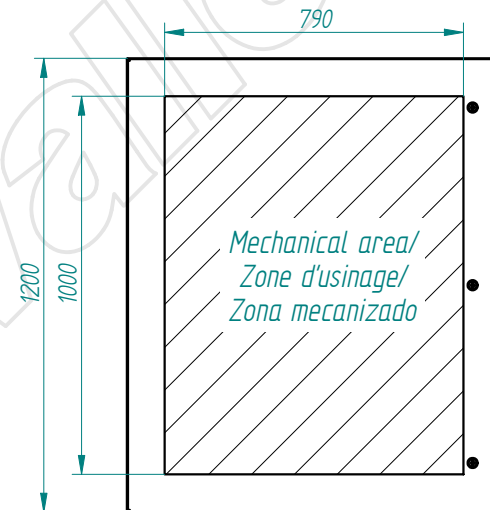
Rear view/
Vue arrièrè/
Vista trasera



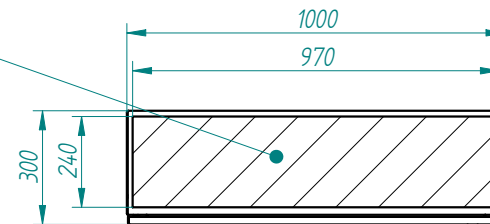
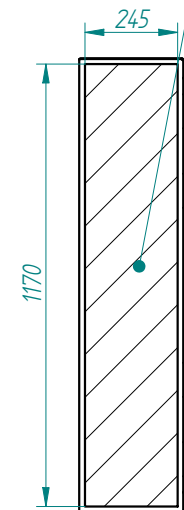
Mechanical area/
Zone d'usage/
Zona mecanizado



Mechanical area/
Zone d'usage/
Zona mecanizado



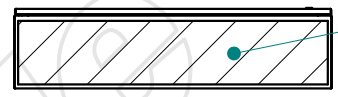
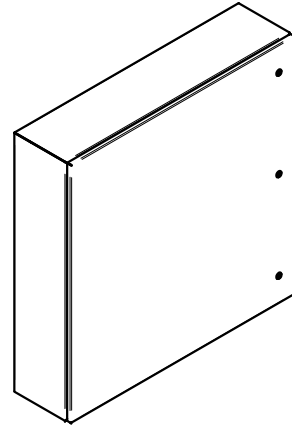
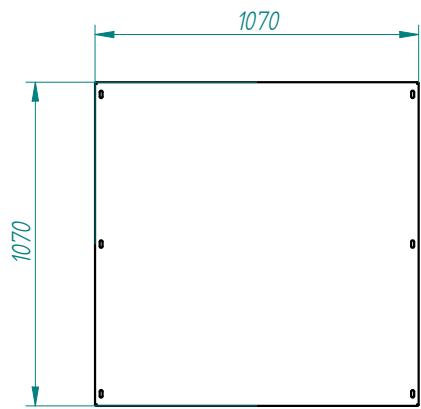
Mechanical area/
Zone d'usage/
Zona mecanizado



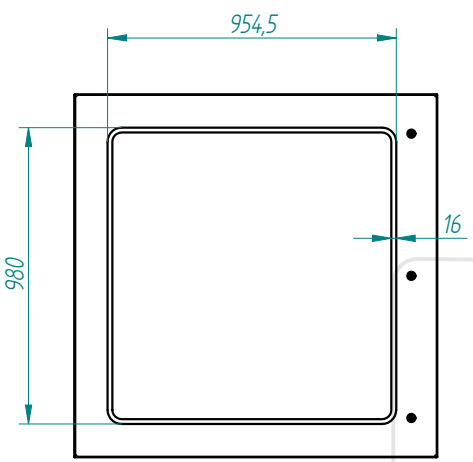
TOLERANCIA GENERAL DE MECANIZACION según DIN 7168	Creación del documento	11/01/2017	J.Cast	A	Referencia: - plegado: - acabado:	DIBUJADO:	11/01/2017	FIRMA: J. Castellano
	MODIFICACIONES	FECHA:	FIRMA:	REVISIÓN:		APROBADO:	11/01/2017	J. Castellano
DESIGNACIÓN: Luxor -1200x1000x300- estandar						Nº PLANO:		



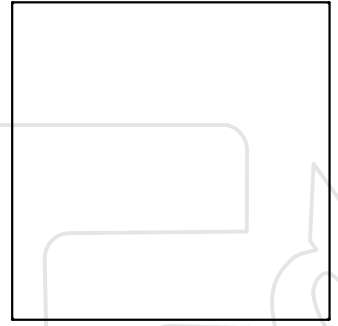
This present document and its contents are confidential, and are the exclusive intellectual and / or industrial property of DELVALLE. In addition to any technology, design, invention, work, process, know-how, calculation, manual, method, solution, idea, improvement, drawing, diagram, modification, contribution and, in short, any associated information or documentation involving industrial or intellectual property developed or supplied by DELVALLE on the occasion of the quote, order execution or incorporated into the design or operation of the supply. The recipient may not use such property in his favour or in that of a third party for purposes other than the fulfilment of the order and the operation and maintenance of the supply, without the prior written consent of DELVALLE. It is strictly forbidden to totally or partially reproduce this document and to misuse it and / or to show it to third parties. The infringing parties shall be required to pay the corresponding compensation for damages, and any other legal or criminal responsibilities, the infringement may give rise to.



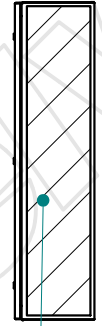
Mechanical area/
Zone d'usinage/
Zona mecanizado



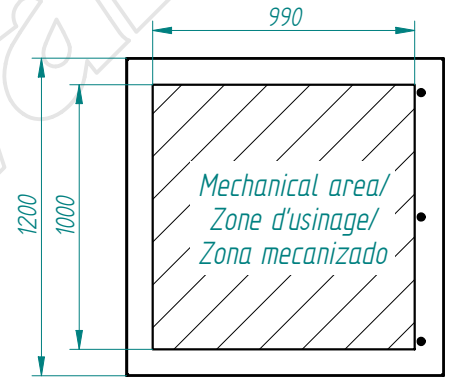
PUERTA TRANSPARENTE



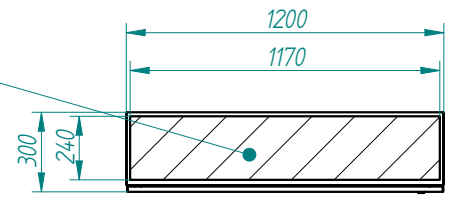
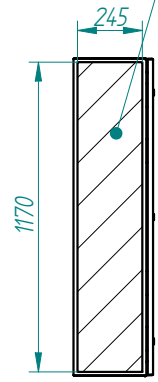
Rear view/
Vue arrièrè/
Vista trasera



Mechanical area/
Zone d'usinage/
Zona mecanizado



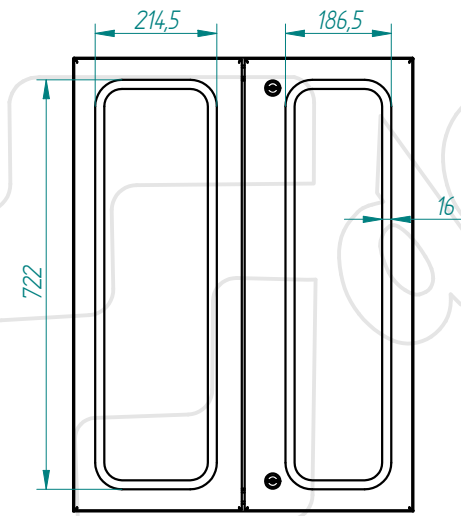
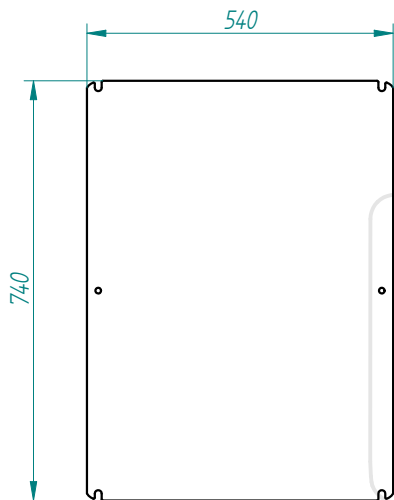
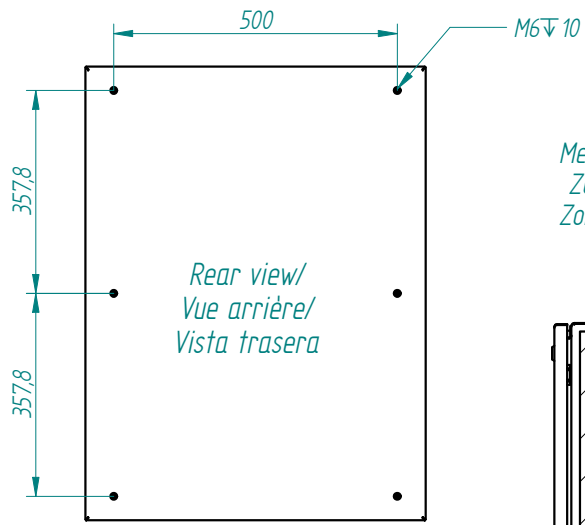
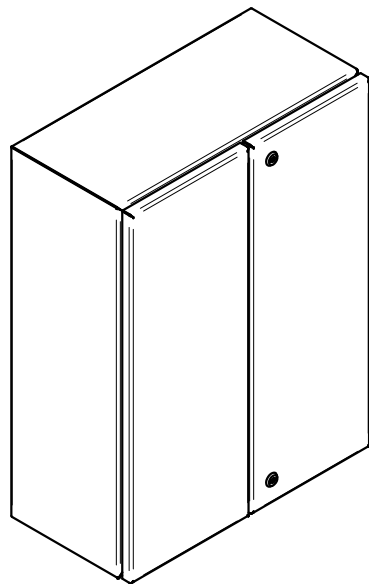
Mechanical area/
Zone d'usinage/
Zona mecanizado



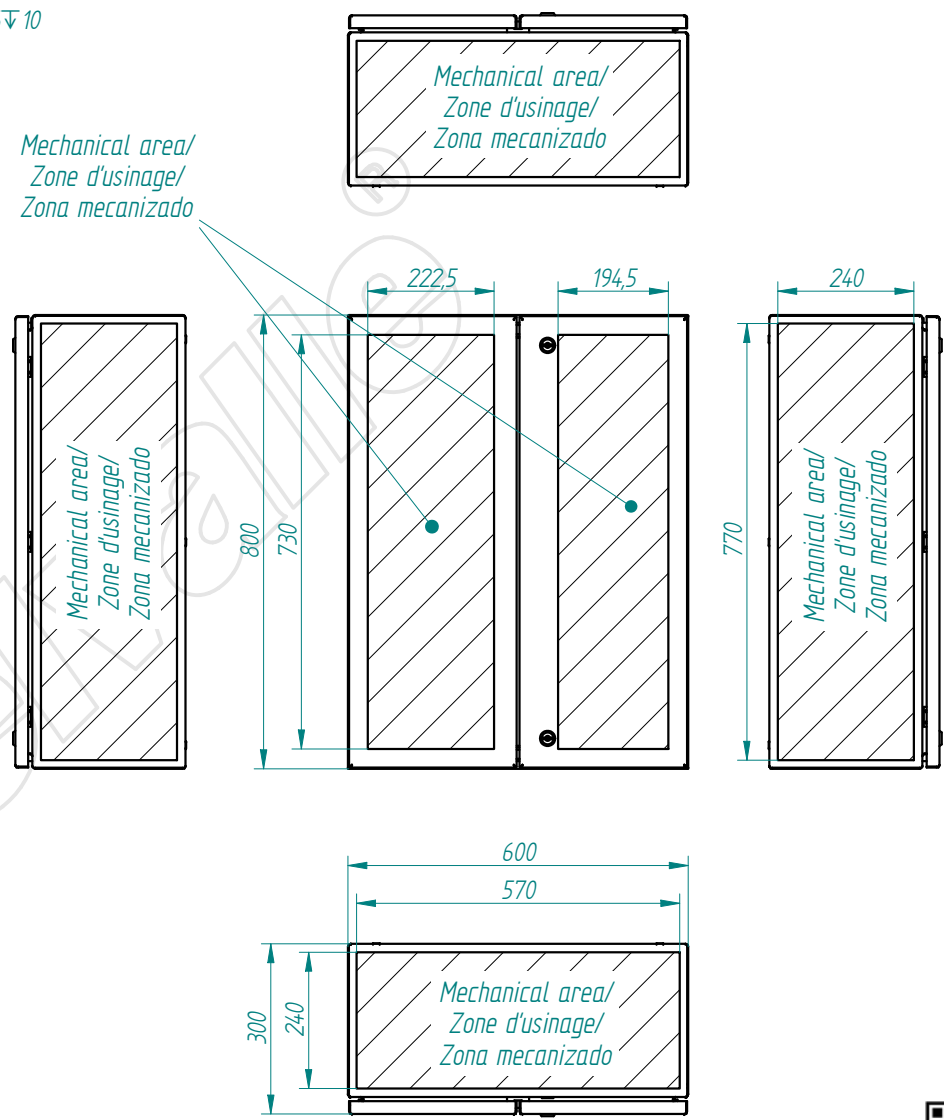
TOLERANCIA GENERAL DE MECANIZACION segun DIN 7168	Creación del documento	11/01/2017	J.Cast	A	Referencia: - plegado: - acabado:	DIBUJADO:	11/01/2017	FIRMA: J. Castellano
	MODIFICACIONES	FECHA:	FIRMA:	REVISIÓN:		APROBADO:	11/01/2017	J. Castellano
DESIGNACIÓN: Luxor -1200x1200x300- estandar						Nº PLANO:		




This present document and its contents are confidential, and are the exclusive intellectual and / or industrial property of DELVALLE... in addition to any technology, design, invention, work, process, know-how, calculation, manual, method, solution, idea, improvement, drawing, modification, contribution and, in short, any associated information or documentation involving industrial or intellectual property developed or supplied by DELVALLE on the occasion of the quote, order execution or incorporated into the design or operation of the supply. The recipient may not use such property in his favour or in that of a third party for purposes other than the fulfilment of the order and the operation and maintenance of the supply, without the prior written consent of DELVALLE. It is strictly forbidden to totally or partially reproduce this document and to misuse it and / or to show it to third parties. The infringing parties shall be required to pay the corresponding compensation for damages, and any other legal or criminal responsibility is the infringement may give rise to.

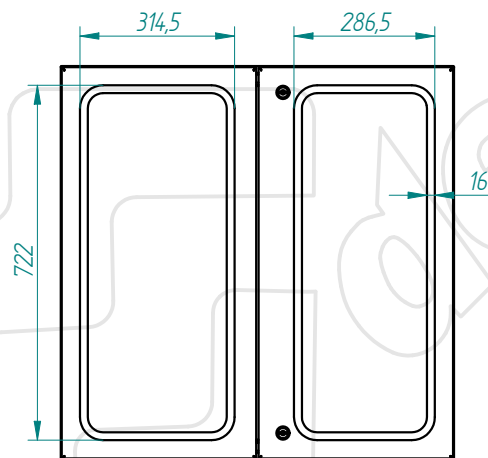
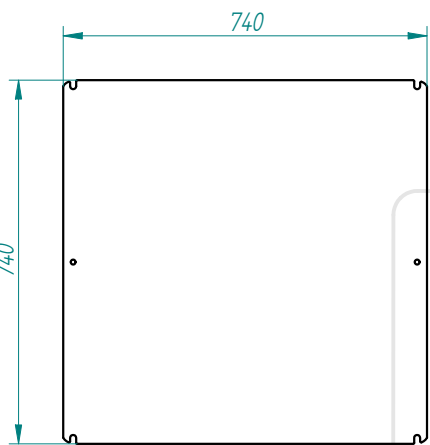
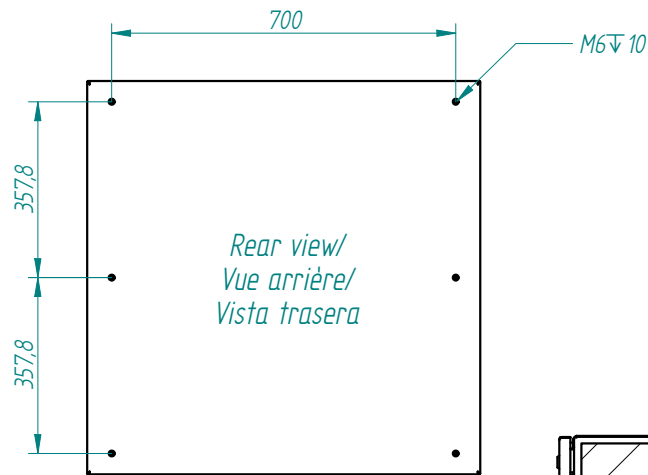
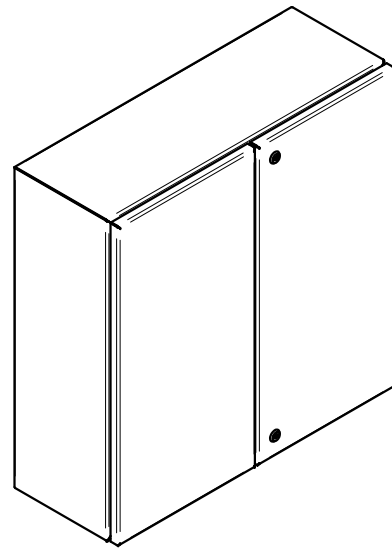


PUERTAS TRANSPARENTES

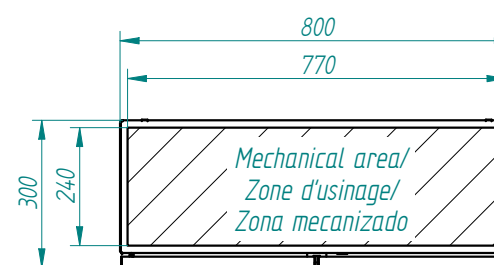
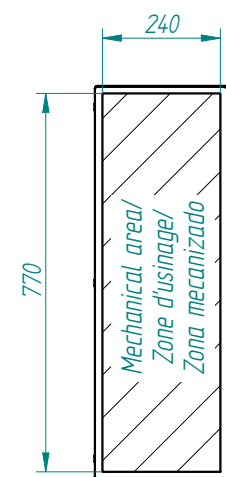
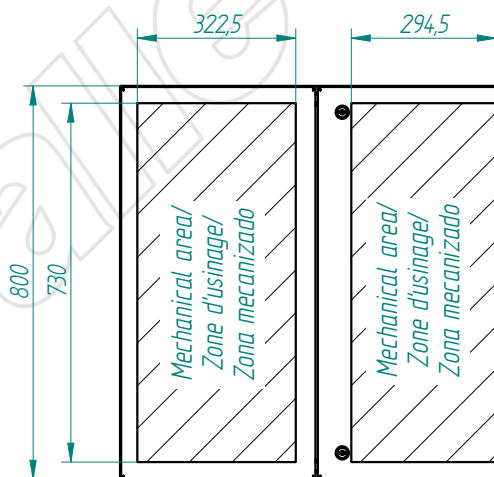
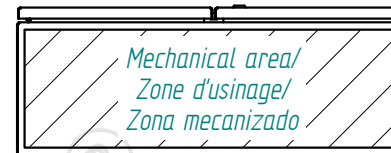


TOLERANCIA GENERAL DE MECANIZACION según DIN 7168	Creación del documento	11/06/2015	D.MTNEZ	A	Referencia: - plegado: - acabado:	DIBUJADO:	FECHA: 11/06/2015	FIRMA: D.Martínez	 Nº PLANO:
	MODIFICACIONES	FECHA:	FIRMA:	REVISIÓN:		APROBADO:	11/06/2015	D.Martínez	
						DESIGNACIÓN: Luxor 2p-800x600x300-estandar			

This present document and its contents are confidential, and are the exclusive intellectual and / or industrial property of DELVALLE. In addition to any technology, design, invention, work, process, know-how, calculation, manual, method, solution, idea, improvement, drawing, diagram, modification, contribution and, in short, any associated information or documentation involving industrial or intellectual property developed or supplied by DELVALLE on the occasion of the quote, order execution or incorporated into the design or operation of the supply. The recipient may not use such property in his favour or in that of a third party for purposes other than the fulfilment of the order and the operation and maintenance of the supply, without the prior written consent of DELVALLE. It is strictly forbidden to totally or partially reproduce this document and to misuse it and / or to show it to third parties. The infringing parties shall be required to pay the corresponding compensation for damages, and any other legal or criminal responsibility is the infringement may give rise to.

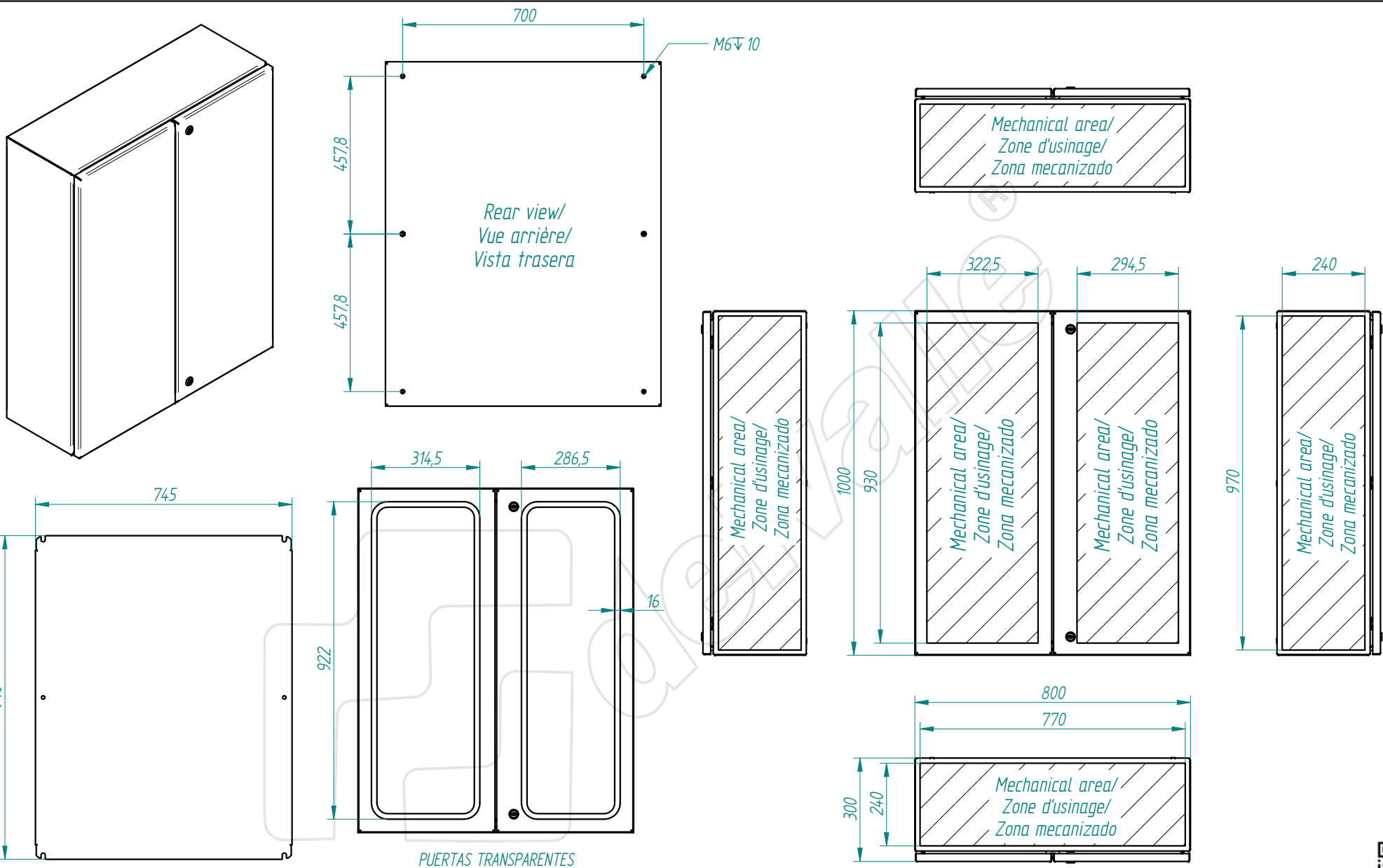



PUERTAS TRANSPAENTES



TOLERANCIA GENERAL DE MECANIZACION segun DIN 7168	Creación del documento	11/06/2015	D.MTNEZ	A	Referencia: - plegado: - acabado:	DIBUJADO:	11/06/2015	FIRMA: D.Martinez	
	MODIFICACIONES	FECHA:	FIRMA:	REVISIÓN:		APROBADO:	11/06/2015	D.Martinez	
						DESIGNACIÓN: Luxor 2p-800x800x300-estandar	Nº PLANO:		

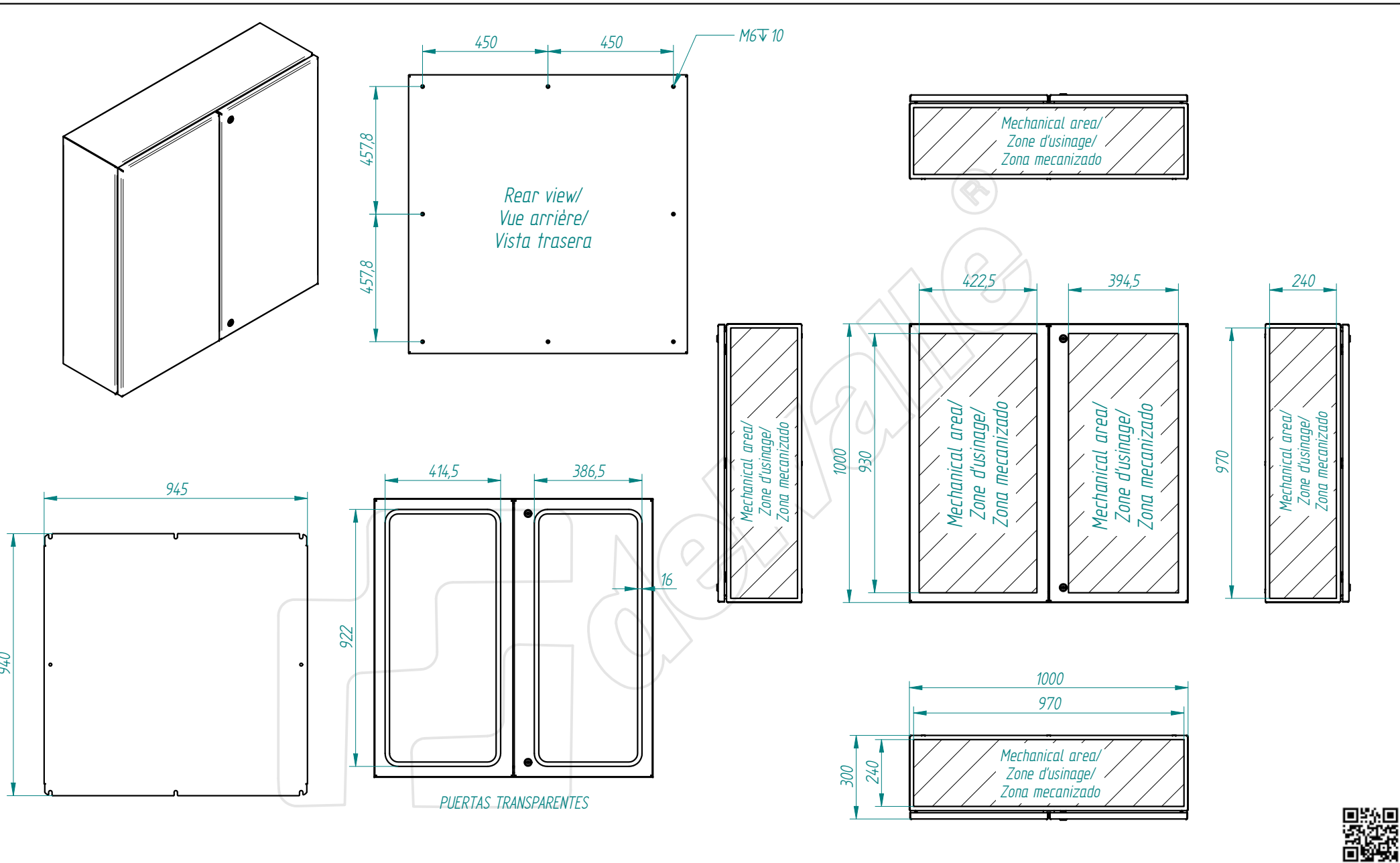
This present document and its contents are confidential, and are the exclusive intellectual and / or industrial property of DELVALLE. In addition to any technology, design, invention, work, process, know-how, calculation, manual, method, solution, idea, improvement, drawing, diagram, modification, contribution and, in short, any associated information involving industrial or intellectual property developed or supplied by DELVALLE on the occasion of the quote, order execution or incorporated into the design or operation of the supply. The recipient may not use such property in his favour or in that of a third party for purposes other than the fulfilment of the order and the operation and maintenance of the supply, without the prior written consent of DELVALLE. It is strictly forbidden to totally or partially reproduce this document and to misuse it and / or to show it to third parties. The infringing parties shall be required to pay the corresponding compensation for damages, and any other legal or criminal responsibility & the infringement may give rise to.




TOLERANCIA GENERAL DE MECANIZACION según DIN 7168	Creación del documento	11/06/2015	D.MTNEZ	A	Referencia: - plegado: acabado:	DIBUJADO:	11/06/2015	FIRMA: D.Martinez	
	MODIFICACIONES	FECHA:	FIRMA:	REVISIÓN:		APROBADO:	11/06/2015	D.Martinez	
DESIGNACIÓN: Luxor 2p-1000x800x300-estandar						Nº PLANO:			



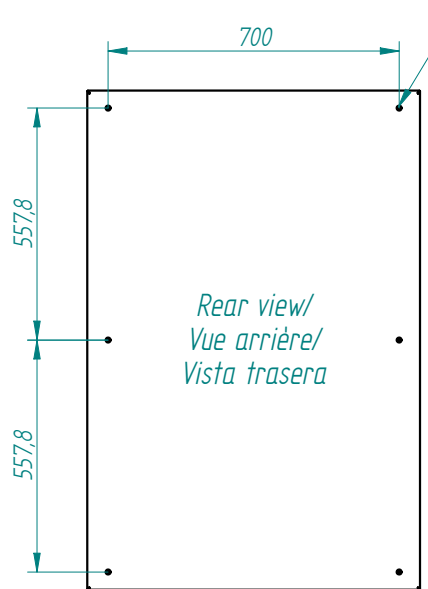
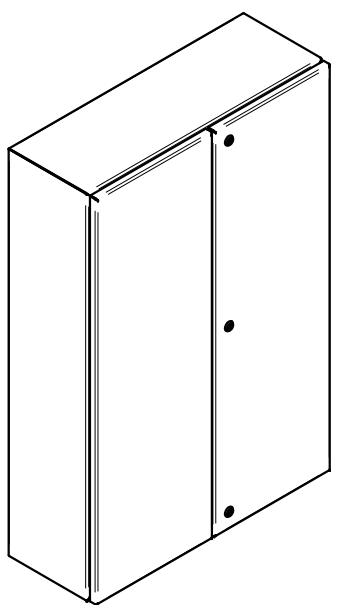
This present document and its contents are confidential, and are the exclusive intellectual and / or industrial property of DELVALLE ., in addition to any technology, design, invention, work, process, know-how, calculation, manual, method, solution, idea, improvement, drawing, diagram, modification, contribution and, in short, any associated information involving industrial or intellectual property developed or supplied by DELVALLE on the occasion of the quote, order execution or incorporated into the design or operation of the supply. The recipient may not use such property in his favour or in that of a third party for purposes other than the fulfilment of the order and the operation and maintenance of the supply, without the prior written consent of DELVALLE. It is strictly forbidden to totally or partially reproduce this document and to misuse it and / or to show it to third parties. The infringing parties shall be required to pay the corresponding compensation for damages, and any other legal or criminal responsibility is the infringer may give rise to.



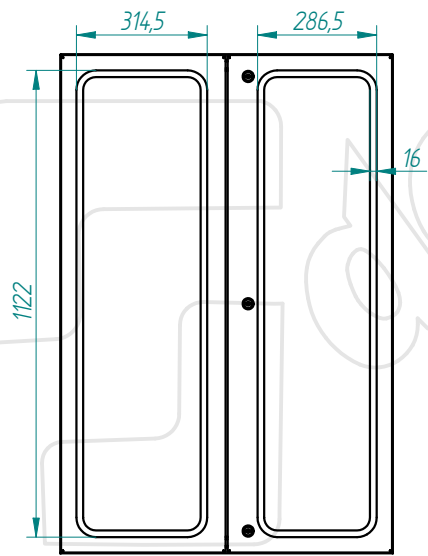
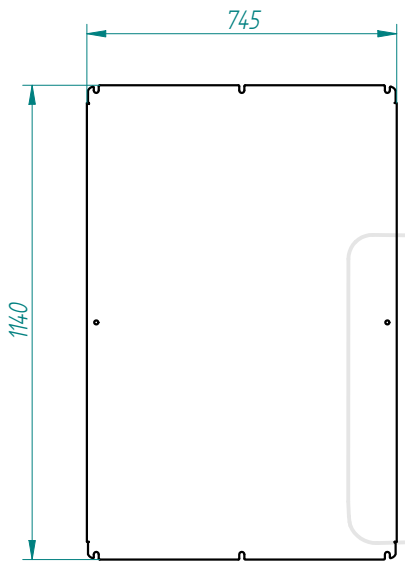
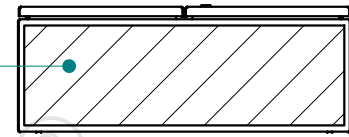
TOLERANCIA GENERAL DE MECANIZACION según DIN 7168	Creación del documento	11/06/2015	D.MTNEZ	A	Referencia: - plegado: - acabado:	DIBUJADO:	11/06/2015	FIRMA:	D.Martínez	 Nº PLANO:
	MODIFICACIONES	FECHA:	FIRMA:	REVISIÓN:		APROBADO:	11/06/2015	D.Martínez		
	DESIGNACIÓN: Luxor 2p-1000x1000x300-estandar									



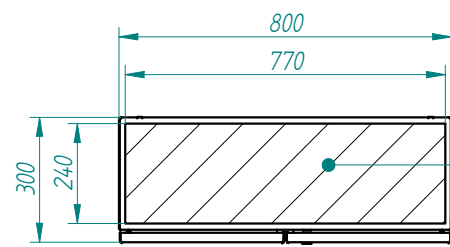
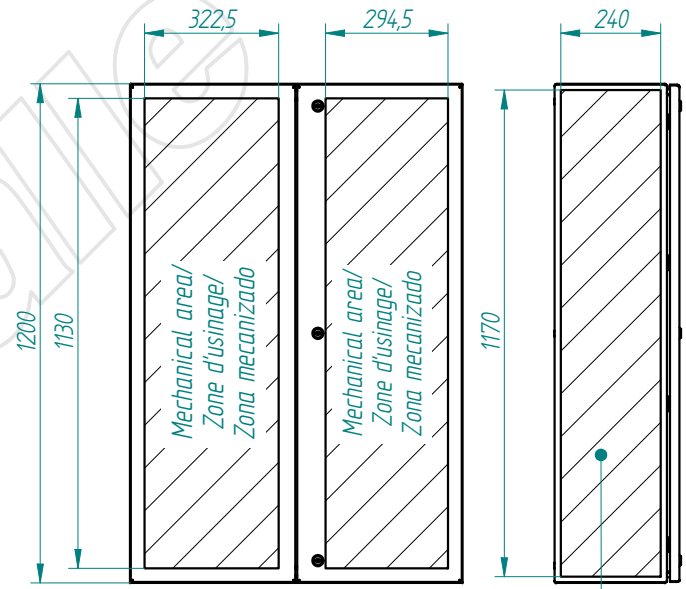
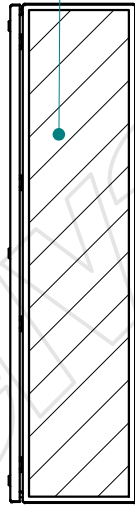
This present document and its contents are confidential, and are the exclusive intellectual and / or industrial property of DELVALLE. In addition to any technology, design, invention, work, process, know-how, calculation, manual, method, solution, idea, improvement, drawing, diagram, modification, contribution and, in short, any associated information or documentation involving industrial or intellectual property developed or supplied by DELVALLE on the occasion of the quote, order execution or incorporated into the design or operation of the supply. The recipient may not use such property in his favour or in that of a third party for purposes other than the fulfilment of the order and the operation and maintenance of the supply, without the prior written consent of DELVALLE. It is strictly forbidden to totally or partially reproduce this document and to misuse it and / or to show it to third parties. The infringing parties shall be required to pay the corresponding compensation for damages, and any other legal or criminal responsibility is the infringer's sole responsibility.



Mechanical area/
Zone d'usinage/
Zona mecanizado



PUERTAS TRANSPARENTES



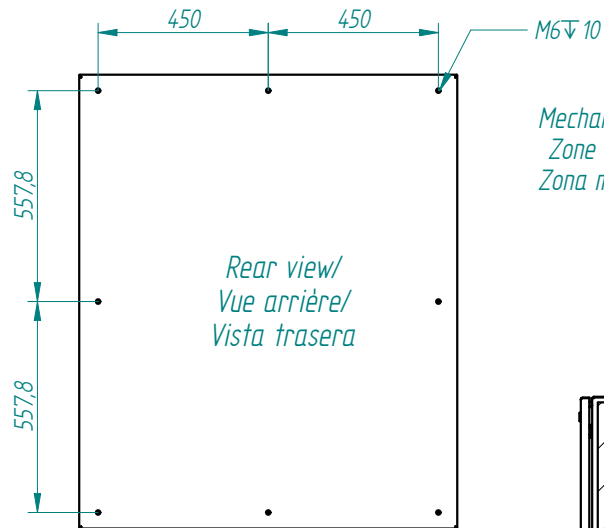
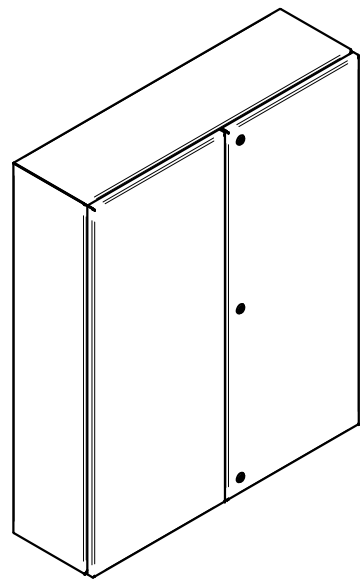
Mechanical area/
Zone d'usinage/
Zona mecanizado



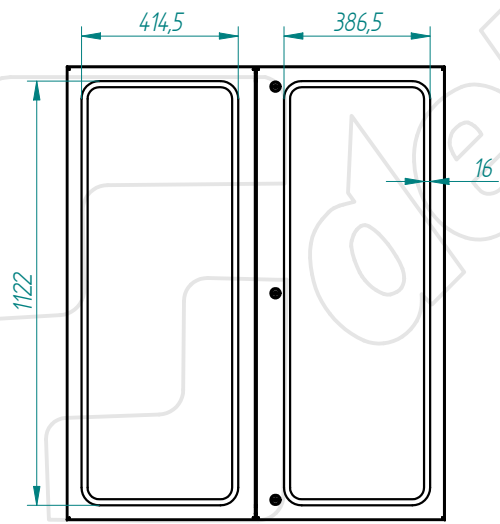
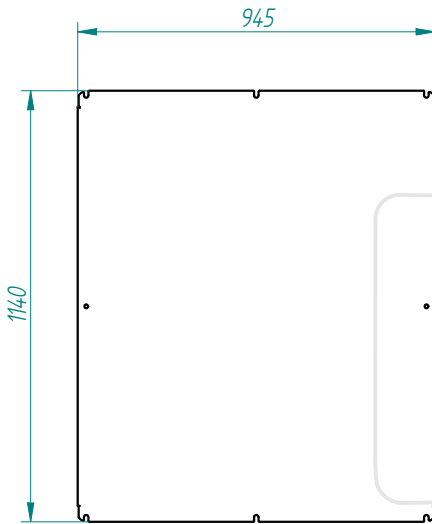
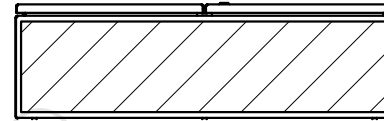
TOLERANCIA GENERAL DE MECANIZACION según DIN 7168	Creación del documento	11/06/2015	D.MTNEZ	A	Referencia: - plegado: - acabado:	DIBUJADO:	11/06/2015	FIRMA: D.Martinez
	MODIFICACIONES	FECHA:	FIRMA:	REVISIÓN:		APROBADO:	11/06/2015	D.Martinez
							DESIGNACIÓN:	Luxor 2p-1200x800x300-estandar
								Nº PLANO:



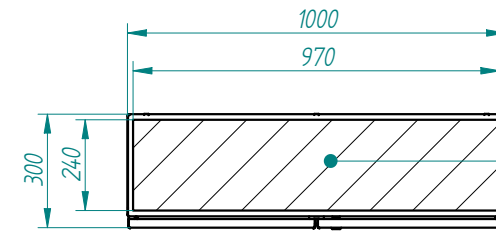
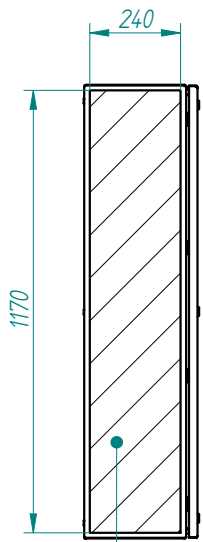
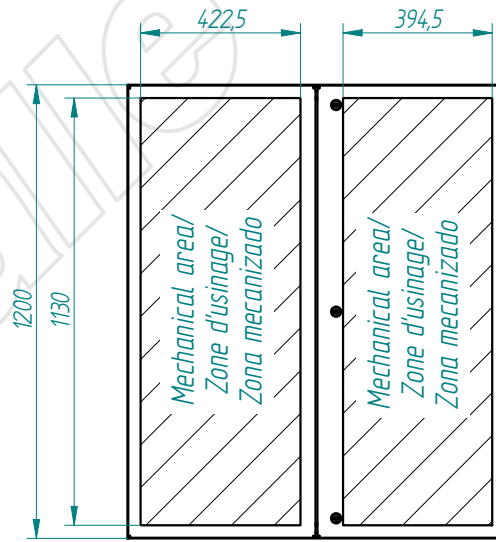
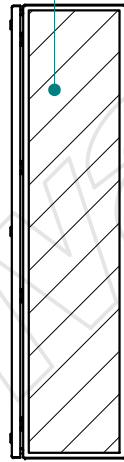
This present document and its contents are confidential, and are the exclusive intellectual and / or industrial property of DELVALLE... in addition to any technology, design, invention, work, process, know-how, calculation, manual, method, solution, idea, improvement, drawing, diagram, modification, contribution and, in short, any associated information involving industrial or intellectual property developed or supplied by DELVALLE on the occasion of the quote, order execution or incorporated into the design or operation of the supply. The recipient may not use such property in his favour or in that of a third party for purposes other than the fulfilment of the order and the operation and maintenance of the supply, without the prior written consent of DELVALLE. It is strictly forbidden to totally or partially reproduce this document and to misuse it and / or to show it to third parties. The infringing parties shall be required to pay the corresponding compensation for damages, and any other legal or criminal responsibility is the infringement may give rise to.



Mechanical area/
Zone d'usinage/
Zona mecanizado




PUERTAS TRANSPARENTES

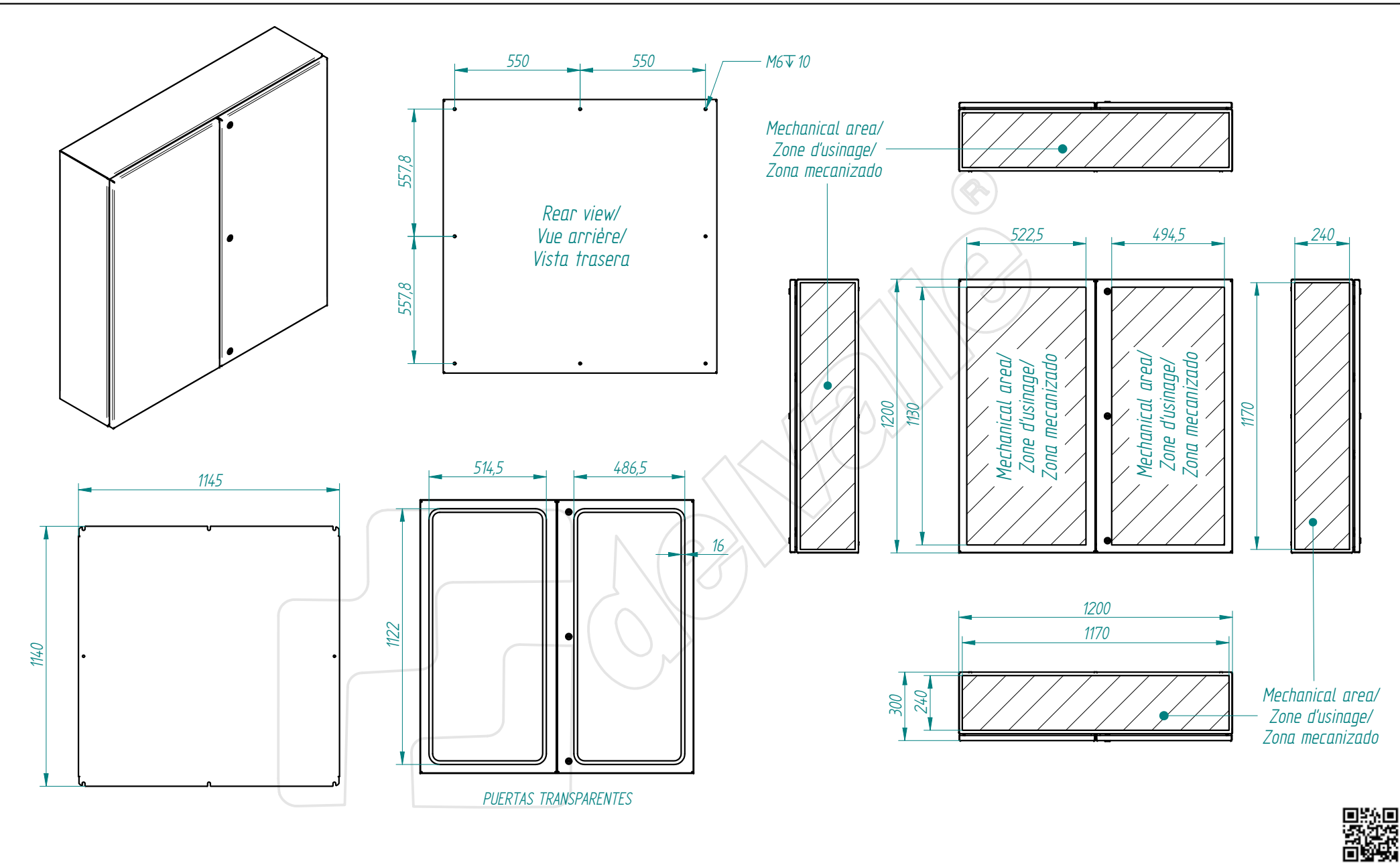


Mechanical area/
Zone d'usinage/
Zona mecanizado



TOLERANCIA GENERAL DE MECANIZACION según DIN 7168	Creación del documento	11/06/2015	D.MTNEZ	A	Referencia: - plegado: - acabado:	DIBUJADO:	FECHA: 11/06/2015	FIRMA: D.Martinez	 N° PLANO:
	MODIFICACIONES	FECHA:	FIRMA:	REVISIÓN:		DESIGNACIÓN: Luxor 2p-1200x1000x300-estandar			

This present document and its contents are confidential, and are the exclusive intellectual and / or industrial property of DELVALLE. In addition to any technology, design, invention, work, process, know-how, calculation, manual, method, solution, idea, improvement, drawing, diagram, modification, contribution and, in short, any associated information or documentation involving industrial or intellectual property developed or supplied by DELVALLE on the occasion of the quote, order execution or incorporated into the design or operation of the supply. The recipient may not use such property in his favour or in that of a third party for purposes other than the fulfilment of the order and the operation and maintenance of the supply, without the prior written consent of DELVALLE. It is strictly forbidden to totally or partially reproduce this document and to misuse it and / or to show it to third parties. The infringing parties shall be required to pay the corresponding compensation for damages, and any other legal or criminal responsibility is the infringer's sole responsibility.



TOLERANCIA GENERAL DE MECANIZACION según DIN 7168	Creación del documento	11/06/2015	D.MTNEZ	A	Referencia: - plegado: - acabado:	DIBUJADO:	11/06/2015	FIRMA: D.Martinez
	MODIFICACIONES	FECHA:	FIRMA:	REVISIÓN:		APROBADO:	11/06/2015	D.Martinez
DESIGNACIÓN: Luxor 2p-1200x1200x300-estandar						Nº PLANO:		

