



Enclosures & Cabinets for Special Requirements
comercial@delvalle.es | www.delvallebox.com

STAINLESS STEEL WALL MOUNTED ENCLOSURES

LUXOR SERIES IP66



STAINLESS
ANTICORROSIVE
GUARANTEE



MECHANICAL PARTS
GUARANTEE





WE PUT AT YOUR DISPOSAL

We offer over **45 years** providing solutions to demanding customers who require very specific characteristics and behaviour according to the sector and their needs.

WHEREVER YOU GO

We are committed to working closely with our customers, providing them with **exceptional service** and offering an advanced and extensive range of products with very competitive prices.

HIGH STANDARD OF QUALITY AND SERVICES

We only use materials provided by companies who offer the very **highest quality**, suitable and certified products. Our success is due to top quality assurance: ISO 9001, SGS, UL, TÜV, ISO 14000 and Ohsas 18001.

CUSTOMIZE TOTALLY YOUR ENCLOSURE

Our production systems can give custom-made solutions **on demand**. Every colour from RAL chart is available to be personalized. A variety of protection standards thanks to our own painting facilities.

CONTACT US

Confidentiality, reliability & quality

www.delvallebox.com
comercial@delvalle.es
 +34 945 601 381

ALSO ONLINE

Please contact our technical sales department

A team of professionals with high experience and ability to solve all your queries



STAINLESS STEEL WALL MOUNTED ENCLOSURES

LUXOR SERIES IP66



Example

Maximum Working Width for your Assemblies

Electrical enclosures Luxor Series with improved design and materials used of locks, easy to open, smoothly turning and opening, flexibility, maximum opening of the doors (up to 120 °), maximum working width for your assemblies, easily removable, unique performance with cutting-edge polished surface finish.

All tests necessary to ensure safety in their electrical installations. Furthermore, each component has exceeded several tests under extreme conditions guaranteeing a long life in electrical assembly.



[FOR MORE INFORMATION CLICK HERE](#)





Available opening with 3-locking point handle



APPLICATIONS

- Specially designed for automatic meter positioning, machine controls, and offering, where necessary, a smart look, high quality and durability.
- Electrical control panel approved for food, chemical and pharmaceutical industries, processing plants, telecommunication centers and outdoor use because of its high durability and chemical product resistance.

ADVANTAGES

- Supplied protective film wrapped to prevent scratches and abrasions during handling.
- The manufacture of the stainless steel monobloc gives 100% sealing and maximum resistance.
- With flushing channel that avoids any contact with liquids, polyurethane joints and hidden hinges.
- The standard control panel comes with stainless steel double-bit locking handles.
- Delvalle supplies any measurements required including custom built holes and cut outs both for the door and enclosure.
- Up to IP67 or IP69K.

OPTIONS

- Custom made based on your needs.
- IP67 according IEC EN 62208 and EN 60529.
- Up to IP69K -DIN 40050-9.
- Option painted galvanized steel finish in RAL 7035 or another color.
- Possibility of two doors (from 800x600).
- 170° hinge that allows maximum opening for easy access to the cabinet without removing the door.
- Plinths at base.
- Metal legs.
- Wall support (not included in the standard model).
- Transparent polycarbonate door or transparent safety glass door (no IP69K).
- Manufactured in stainless steel AISI 316L EN 14404.
- Mounting plate insulation (bakelite) or stainless steel.
- EMC version according to 2014/30/UE of electromagnetic compatibility.
- Available opening with 3-locking point handle.

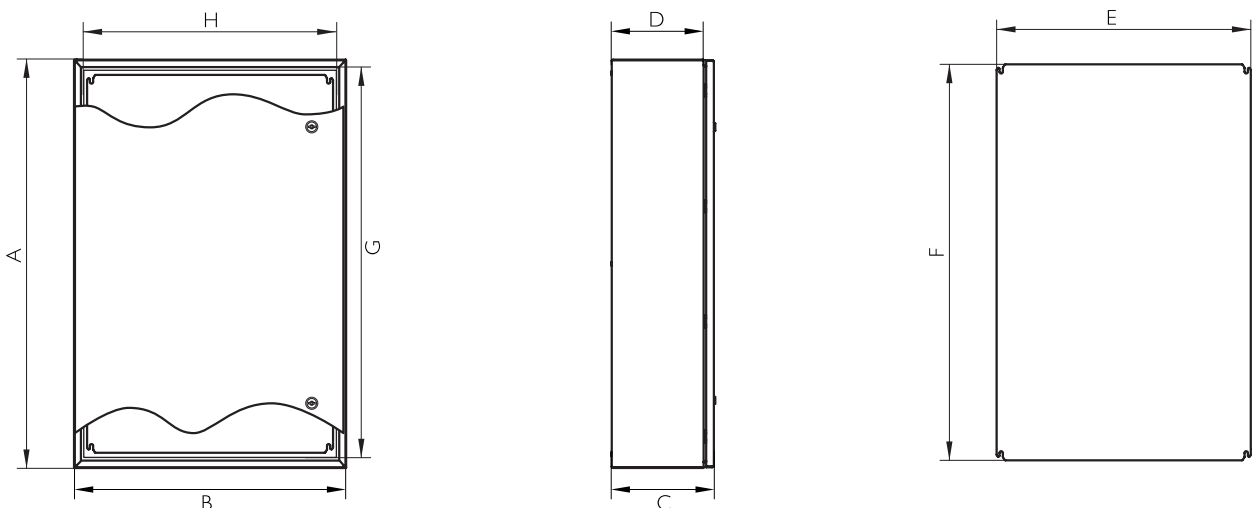


NORMS

- IP66 (W) (IP55 double door without mounting, IP66 with central welded bar mounting) Norm IEC EN 62208 and EN 60529.
- DIN EN ISO 14159 Machine safety – hygiene requirements pertaining to the design of machinery.
- Machinery Directive 2006/42/EC. Food machinery and cosmetic or pharmaceutical production.
- EHEDG Guideline Hygienic Design doc.13 machinery for open processes.
- DIN EN 1672-2-2005 for food industry machinery.
- Maximum IK10 resistance Norm IEC 62208 and IEC 62262.
- Maximum voltage 1000V.
- Manufactured following EU low voltage ruling 2014/35/UE.
- Materials intended to come into contact with food EC 1935/2004.
- RoHs compliant.
- UL approval Nema 4x, 12, 3r yI (by request). N° File E342220.

PLAN

➔ [CLICK HERE TO DOWNLOAD THE FILES CAD - PLANS - CERTIFICATES](#)



REFERENCES 1 DOOR

| REFERENCES | | | DIMENSIONS (mm) | | | | | | | | | |
|---|-------------------------------|---|--|-----------|-----------|--------------|------------------|-----------------|----------|-------------------------|-------------|-------------|
| BLIND DOOR | POLYCARBONATE DOOR (no IP69K) | POLYCARBONATE DOOR + INSIDE DOOR (no IP69K) | HEIGHT -A- | WIDTH -B- | DEPTH -C- | ACCESS -GxH- | INSIDE DEPTH -D- | MACHINABLE AREA | | PLATE MEASUREMENT -ExF- | WEIGHT (Kg) | VOLUME (m³) |
| | | | | | | | | DOOR | SIDE | | | |
| MVAB302015 | MVAB302015T | MVAB302015TC | 300 | 200 | 155 | 260x153 | 125 | 220x76 | 270x125 | 264x147 | 4,65 | 0,01 |
| MVAB383015 | MVAB383015T | MVAB383015TC | 380 | 300 | 155 | 340x253 | 125 | 300x176 | 350x125 | 344x247 | 7,68 | 0,02 |
| MVAB383021 | MVAB383021T | MVAB383021TC | 380 | 300 | 210 | 340x253 | 180 | 300x176 | 350x180 | 344x247 | 8,57 | 0,03 |
| MVAB404021 | MVAB404021T | MVAB404021TC | 400 | 400 | 210 | 360x353 | 180 | 320x276 | 370x180 | 364x347 | 11,12 | 0,04 |
| MVAB504021 | MVAB504021T | MVAB504021TC | 500 | 400 | 210 | 460x353 | 180 | 420x276 | 470x180 | 464x347 | 13,51 | 0,05 |
| MVAB505021 | MVAB505021T | MVAB505021TC | 500 | 500 | 210 | 460x453 | 180 | 420x376 | 470x180 | 464x447 | 16,2 | 0,06 |
| MVAB705021 | MVAB705021T | MVAB705021TC | 700 | 500 | 210 | 660x453 | 180 | 620x376 | 670x180 | 664x447 | 21,55 | 0,08 |
| MVAB604021 | MVAB604021T | MVAB604021TC | 600 | 400 | 210 | 560x353 | 180 | 520x276 | 570x180 | 564x347 | 15,74 | 0,06 |
| MVAB605021 | MVAB605021T | MVAB605021TC | 600 | 500 | 210 | 560x453 | 180 | 520x376 | 570x180 | 564x447 | 18,88 | 0,07 |
| MVAB606021 | MVAB606021T | MVAB606021TC | 600 | 600 | 210 | 560x553 | 180 | 520x476 | 570x180 | 564x547 | 22 | 0,08 |
| MVAB806030 | MVAB806030T | MVAB806030TC | 800 | 600 | 300 | 760x553 | 270 | 720x476 | 770x270 | 764x547 | 31,35 | 0,16 |
| MVAB808030 | MVAB808030T | MVAB808030TC | 800 | 800 | 300 | 760x753 | 270 | 720x676 | 770x270 | 764x747 | 41,5 | 0,21 |
| MVAB108030 | MVAB108030T | MVAB108030TC | 1000 | 800 | 300 | 960x753 | 270 | 920x676 | 970x270 | 964x747 | 50,69 | 0,26 |
| MVAB128030 | MVAB128030T | MVAB128030TC | 1200 | 800 | 300 | 1160x753 | 270 | 1120x676 | 1170x270 | 1164x747 | 59,47 | 0,31 |
| MVAB101030 | MVAB101030T | MVAB101030TC | 1000 | 1000 | 300 | 960x953 | 270 | 920x876 | 970x270 | 964x947 | 61,17 | 0,32 |
| *MVAC121030 | MVAC121030T | MVAC121030TC | 1200 | 1000 | 300 | 1090x890 | 275 | 1000x790 | 1170x265 | 1070x870 | 78,82 | 0,46 |
| *MVAC101230 | MVAC101230T | MVAC101230TC | 1000 | 1200 | 300 | 890x1090 | 275 | 800x990 | 970x265 | 870x1070 | 78,76 | 0,39 |
| *MVAC121230 | MVAC121230T | MVAC121230TC | 1200 | 1200 | 300 | 1000x1000 | 275 | 1000x990 | 1170x265 | 1070x1070 | 92,09 | 0,39 |
| Version UL approval Nema 4x, 12, 3r and I | | | Add "UL" to the reference Ex: "MVAB302015UL" | | | | | | | | | |
| Version IP67 | | | Add "67" to the reference Ex: "MVAB30201567" | | | | | | | | | |
| Version IP69K | | | Add "/69" to the reference Ex: "MVAB302015/69" | | | | | | | | | |

*Tribeca design

Separation depth plate 20 mm



REFERENCES 2 DOORS

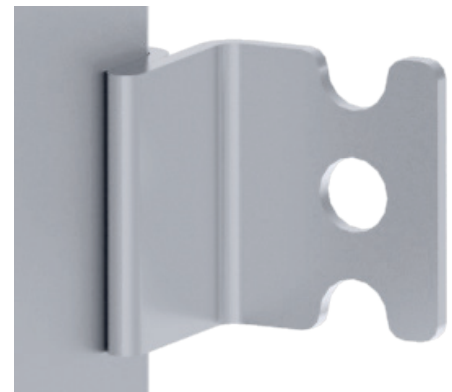
| REFERENCES | | DIMENSIONS (mm) | | | | | | | | | |
|---|------------|--|-----------|--------------|------------------|---------------------------|----------|-------------------------|--|--|--|
| 2 BLINDS DOORS | HEIGHT -A- | WIDTH -B- | DEPTH -C- | ACCESS -GxH- | INSIDE DEPTH -D- | MACHINABLE AREA | | PLATE MEASUREMENT -GxH- | | | |
| | | | | | | DOOR | SIDE | | | | |
| MVAB806030D | 800 | 600 | 300 | 746x546 | 270 | 720x217.5 and 720x173.5 | 720x240 | 740x540 | | | |
| MVAB808030D | 800 | 800 | 300 | 746x746 | | 720x317.5 and 720x273.5 | 720x240 | 740x740 | | | |
| MVAB108030D | 1000 | 800 | 300 | 946x746 | | 920x317.5 and 920x273.5 | 970x240 | 940x745 | | | |
| MVAB128030D | 1200 | 800 | 300 | 1146x746 | | 1120x317.5 and 1120x273.5 | 1170x240 | 1140x745 | | | |
| MVAB101030D | 1000 | 1000 | 300 | 946x946 | | 920x417.5 and 920x373.5 | 970x240 | 940x940 | | | |
| MVAB121030D | 1200 | 1000 | 300 | 1146x946 | | 1120x617.5 and 1120x573.5 | 1170x240 | 1140x945 | | | |
| MVAB121230D | 1200 | 1200 | 300 | 1146x1146 | | 1120x717.5 and 1120x673.5 | 1170x240 | 1140x1140 | | | |
| Option: Polycarbonate door (no IP69K) | | Add "T" to the reference. Ex: "MVAB806030DT" | | | | | | | | | |
| Option: Polycarbonate door + Inside door (no IP69K) | | Add "TC" to the reference. Ex: "MVAB806030DTC" | | | | | | | | | |
| Version UL approval Nema 4x, 12, 3r and I | | Add "UL" to the reference. Ex: "MVAB806030DUL" | | | | | | | | | |
| Version IP67 | | Add "67" to the reference Ex: "MVAB30201567" | | | | | | | | | |
| Version IP69K | | Add "/69" to the reference Ex: "MVAB302015/69" | | | | | | | | | |

Separation depth plate 20 mm

WALL MOUNTING BRACKETS

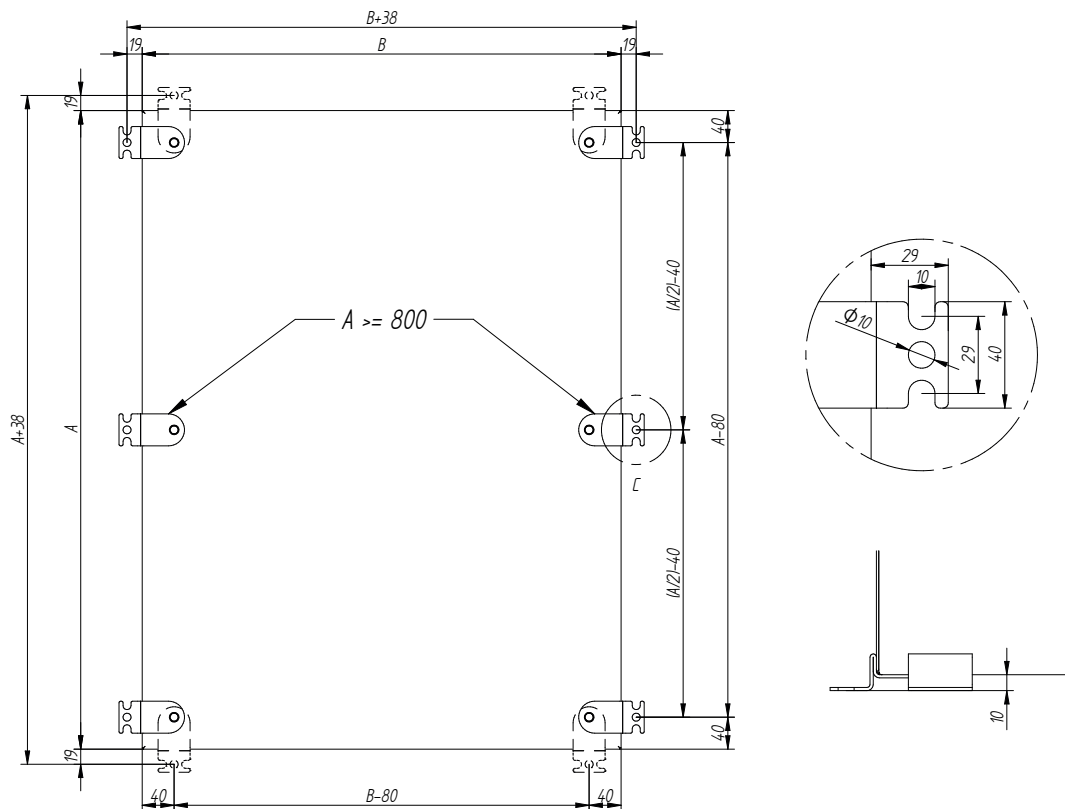
Wall brackets are connections that are attached to the enclosures to achieve either a vertical or horizontal position.

The form of the joint can vary according to the project requirements. The size and material of the bracket will depend on the characteristics of the enclosure being designed.



| BRACKETS REFERENCE | | |
|--------------------|-----------|---------------|
| REFERENCE | MATERIAL | CONNECTION |
| MVSM01 | INOX 304L | Bolt / Insert |
| MVSM04 | GALVA | Bolt / Insert |
| MVSM09 | INOX 316L | Bolt / Insert |
| MVSM06 | INOX 304L | Welded |
| MVSM07 | GALVA | Welded |
| MVSM10 | INOX 316L | Welded |
| MVSM03 | INOX 304L | Welded (Pole) |

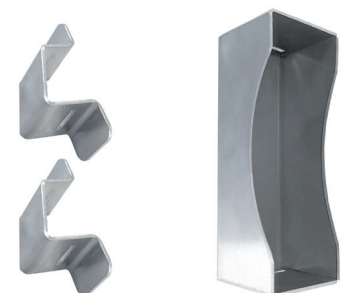
| BRACKETS IN LUXOR | | |
|-------------------|------------|------------|
| A | 4 BRACKETS | 6 BRACKETS |
| <800 | X | |
| =800 | | X |
| >800 | | X |



POLE MOUNT

Sometimes the placement of the cabinet is unusual and we need to adapt it to the environment or certain architectural features. Delvalle, therefore, offers the solution for post mounting, providing a perfect fixing of the enclosure.

REF: MVSM03



STAINLESS STEELWALL CABINET - LUXOR SERIES IP67

Electrical boxes IP67 made of stainless steel AISI 304L, combine ideal characteristics for electrical and electronic applications where safety and perfect sealing against dust and water are essential.

The most appreciated feature is the easy door opening, allowing the performance inside the frame without removal or loss of door.

APPLICATIONS

This combination of tightness and resistance features makes it ideal for inner housing of electronic and electrical equipment in adverse weather environments.

OPTIONS

- Custom made based on your needs.
- We recommend our stainless steel cable glands IP68 for the passage of cables.
- Textured paint finish with other Ral colors, on request.
- Manufactured in stainless steel AISI 316L EN 14404.
- Mounting plate insulation (bakelite) or stainless steel.
- EMC version according to EEC 89/336 of electromagnetic compatibility.

REFERENCES

All Luxor IP66 can be supplied in IP67. Just add "/ 67" to your reference. Ex. MVAB302015/67



NORMS

- IP67 According To IEC 60529. 15cm Submersible during a short time.
- Maximum IK10 resistance Norm IEC 62262
- Manufactured following EU low voltage ruling 2006/95/CE
- RoHs compliant
- Rust resistant C5M, following ISO 12944, (AISI 316)
- Maximum voltage 1000V
- Temperature resistant: -40°C +100°C (short time +160°C)
- Option silicone gasket: from -60°C to +180°C (short time up to +350°C)



**Consult us
without obligation**

Confidentiality, reliability & quality

DELVALLE OFFERS CUSTOMIZED SOLUTIONS

www.delvallebox.com

comercial@delvalle.es

+34 945 601 381

ALSO ONLINE

→ FOR MORE INFORMATION CLICK HERE

**STAINLESS STEEL
INDUSTRIAL ENCLOSURES**



**OUTDOOR HEAVY DUTY
ELECTRICAL ENCLOSURES**



**OUTDOOR TELECOM 19
RACKS & CABINETS**



**GALVANIZED STEEL
ELECTRICAL ENCLOSURES**



HYGIENIC DESIGN ENCLOSURES



**ALUMINIUM ELECTRICAL
ENCLOSURES**



Phone +34 945 601 381
comercial@delvalle.es | www.delvallebox.com

DELVALLE OFFERS CUSTOMIZED SOLUTIONS

www.delvallebox.com

comercial@delvalle.es

+34 945 601 381

ALSO ONLINE

→ FOR MORE INFORMATION CLICK HERE

WATERPROOF SHEET STEEL ELECTRICAL ENCLOSURES



CLIMATE CONTROL COOLING FOR ELECTRICAL ENCLOSURES



NEMA ELECTRICAL ENCLOSURE TYPE 1-3R-4X-12



MODULAR DISTRIBUTION ENCLOSURES



EMC ELECTRICAL ENCLOSURES SOLUTIONS



CABLE GLANDS & ENTRY SEALS FOR CABINETS





Enclosures & Cabinets for Special Requirements



Paso del Prao, 6. 01320 Oyón (Álava). Spain
P. +34 945 601 381
www.delvallebox.com - comercial@delvalle.es
Contact us, we will be available at any time

