



Enclosures & Cabinets for Special Requirements
comercial@delvalle.es | www.delvallebox.com

GALVANIZED STEEL ELECTRICAL enclosures





WE PUT AT YOUR DISPOSAL

We offer over **40 years** providing solutions to demanding customers who require very specific characteristics and behaviour according to the sector and their needs.

WHEREVER YOU GO

We are committed to working closely with our customers, providing them with **exceptional service** and offering an advanced and extensive range of products with very competitive prices.

HIGH STANDARD OF QUALITY AND SERVICES

We only use materials provided by companies who offer the very **highest quality**, suitable and certified products. Our success is due to top quality assurance: ISO 9001, SGS, UL, TÜV, ISO 14000 and Ohsas 18001.

CUSTOMIZE TOTALLY YOUR ENCLOSURE

Our production systems can give custom-made solutions **on demand**. Every colour from RAL chart is available to be personalized. A variety of protection standards thanks to our own painting facilities.

CONTACT US

Confidentiality, reliability & quality

www.delvallebox.com
 comercial@delvalle.es
 +34 945 601 381

ALSO ONLINE

Please contact our technical sales department.

A team of professionals with high experience and ability to solve all your queries.



The manufacture of the stainless steel monobloc gives 100% sealing and maximum resistance.



Example

CHARACTERISTICS

- The manufacture of the stainless steel monobloc gives 100% sealing and maximum resistance.
- With flushing channel that avoids any contact with liquids, polyurethane joints and hidden hinges.
- The standard control panel comes with stainless steel double-bit locking handles.
- Delvalle supplies any measurements required including custom built holes and cut outs both for the door and enclosure.
- Approved for outdoor installations.
- Stainless steel hinges.
- Wide range of accessories.
- Galvanized steel painted RAL 7035.

DESCRIPTION AND DESIGN

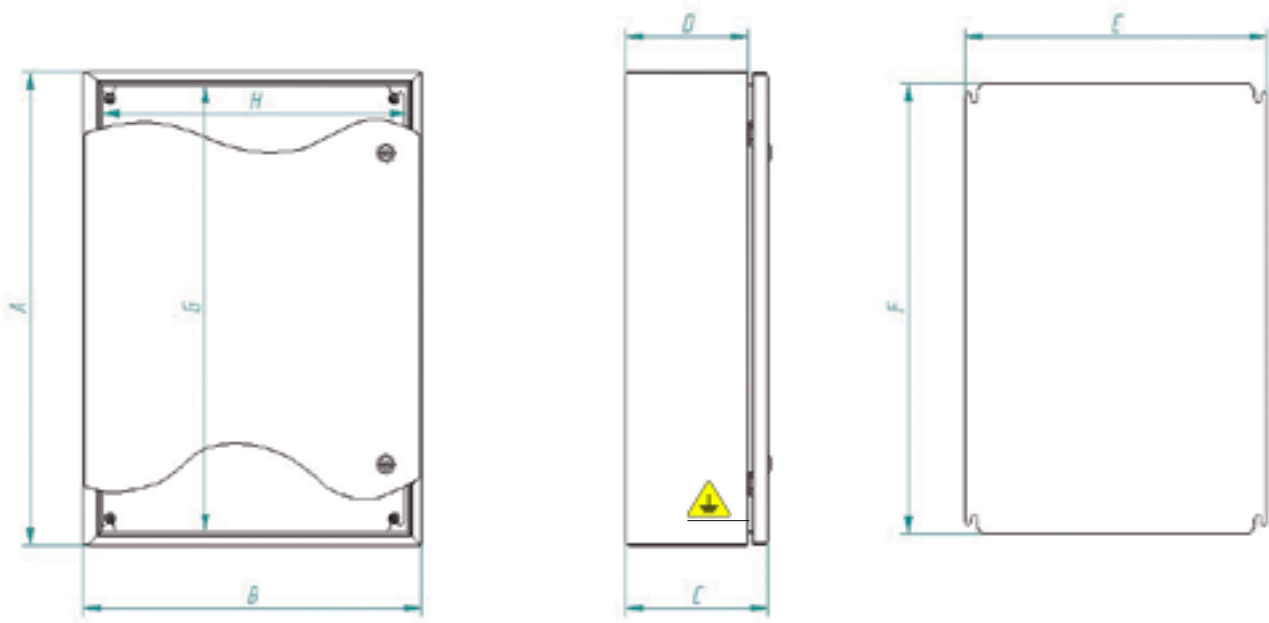
The painted galvanized steel enclosures LUXOR Series, are characterized by its robust design and surface finish in RAL 7035. Easy opening with chrome closures, smoothly turning, maximum flexibility and opening doors (up to 120°) with stainless steel hinges. Maximum Operating amplitude for the mounting and easily removable.

It has all the necessary measures to ensure their safety in electrical installations in outdoor facilities approvals.

APPLICATIONS

Specially designed for outdoor environments where weather conditions are bad, such as the maritime sector, or for street lighting applications or services on railway lines, given its advantages of durability and strength.

TECHNICAL CHARACTERISTICS



REFERENCES							
BLIND DOOR	POLYCARBONATE DOOR	POLYCARBONATE DOOR + INSIDE DOOR	HEIGHT -A-	WIDTH -B-	EPHTH -C-	WEIGHT (Kg)	VOLUME (m ³)
MVGB302015	MVGB302015T	MVGB302015TC	300	200	155	4,65	0,01
MVGB383015	MVGB383015T	MVGB383015TC	380	300	155	7,68	0,02
MVGB383021	MVGB383021T	MVGB383021TC	380	300	210	8,57	0,03
MVGB404021	MVGB404021T	MVGB404021TC	400	400	210	11,12	0,04
MVGB504021	MVGB504021T	MVGB504021TC	500	400	210	13,51	0,05
MVGB505021	MVGB505021T	MVGB505021TC	500	500	210	16,2	0,06
MVGB604021	MVGB604021T	MVGB604021TC	600	400	210	21,55	0,08
MVGB605021	MVGB605021T	MVGB605021TC	600	500	210	15,74	0,06
MVGB606021	MVGB606021T	MVGB606021TC	600	600	210	18,88	0,07
MVGB606030	MVGB606030T	MVGB606030TC	600	600	300	22	0,08
MVGB705021	MVGB705021T	MVGB705021TC	700	500	210	31,35	0,16
MVGB806030	MVGB806030T	MVGB806030TC	800	600	300	41,5	0,21
MVGB808030	MVGB808030T	MVGB808030TC	800	800	300	50,69	0,26
MVGB108030	MVGB108030T	MVGB108030TC	1000	800	300	59,47	0,31
MVGB101030	MVGB101030T	MVGB101030TC	1000	1000	300	61,17	0,32
MVGB128030	MVGB128030T	MVGB128030TC	1200	800	300	83,86	0,46
MVGB121030	MVGB121030T	MVGB121030TC	1200	1000	300	71,7	0,39
MVGB121230	MVGB121230T	MVGB121230TC	1200	1200	300	71,59	0,39

REFERENCES			
REFERENCE 2 BLIND DOORS	HEIGHT -A-	WIDTH -B-	EPHTH -C-
MVGB501025D	500	1000	250
MVGB501035D	500	1000	350
MVGB606030D	600	600	300
MVGB608020D	600	800	200
MVGB701030D	700	1000	300
MVGB806030D	800	600	300
MVGB808030D	800	800	300
MVGB168040D	800	1600	400
MVGB108030D	1000	800	300
MVGB101030D	1000	1000	300
MVGB101230D	1000	1200	300
MVGB128030D	1200	800	300
MVGB121030D	1200	1000	300
MVGB121040D	1200	1000	400
MVGB121230D	1200	1200	300
MVGB121240D	1200	1200	400
MVGB161240D	1600	1200	400

*Ask for minimum order

Separation plaque fund 20mm



GUARANTEE
MECHANICAL PARTS

NORMS

- IEC 60529 norm. IP66 degree.
- UL approval Nema 1, 3r, 4 and 12. N°File E342220.
- IEC 62262 norm. Maximum IK10 resistance.
- 2006/95/CE Directive. Low voltage ruling.
- IEC 62208 norm.
- Maximum voltage 1000V.

OPTIONS

- Custom made based on your needs. Possibility of two doors.
- 170° hinge that allows maximum opening for easy access to the cabinet without removing the door.
- Socles.
- Metal legs.
- Wall support (not included in the standard model).
- Transparent polycarbonate door.
- Transparent safety glass door.
- Mounting plate insulation (bakelite) or stainless steel.
- EMC version according to EEC 89/336 of electromagnetic compatibility.
- Switchboard graffiti-proof paint.



Our enclosures are manufactured under the most stringent quality standards



Example

The manufacture of the stainless steel monobloc allows sealing and maximum resistance.

CHARACTERISTICS

- The manufacture of the stainless steel monobloc allows sealing and maximum resistance.
- A drainage channel prevents liquid contact with the polyurethane gasket and with concealed hinges.
- 120° door opening. Standard opening to the left, specify whether you want to the right.
- Delvalle made to order in any size to suit your needs and all drilling holes, both for the door and the enclosure included.
- Distributed load 600 kg.
- Approved for outdoor installations.
- Stainless steel hinges.
- 100% galvanized steel painted RAL 7035.
- Wide range of models available.

DESCRIPTION AND DESIGN

The painted Galvanized steel enclosures TRIBECA Series are rugged, easy opening by rotary and four locking points, smoothly opening by hinges in stainless steel, ease of placement on the floor itself, flexibility and range of maximum operating handle for your assembly, and a unique design painted galvanized steel RAL 7035.

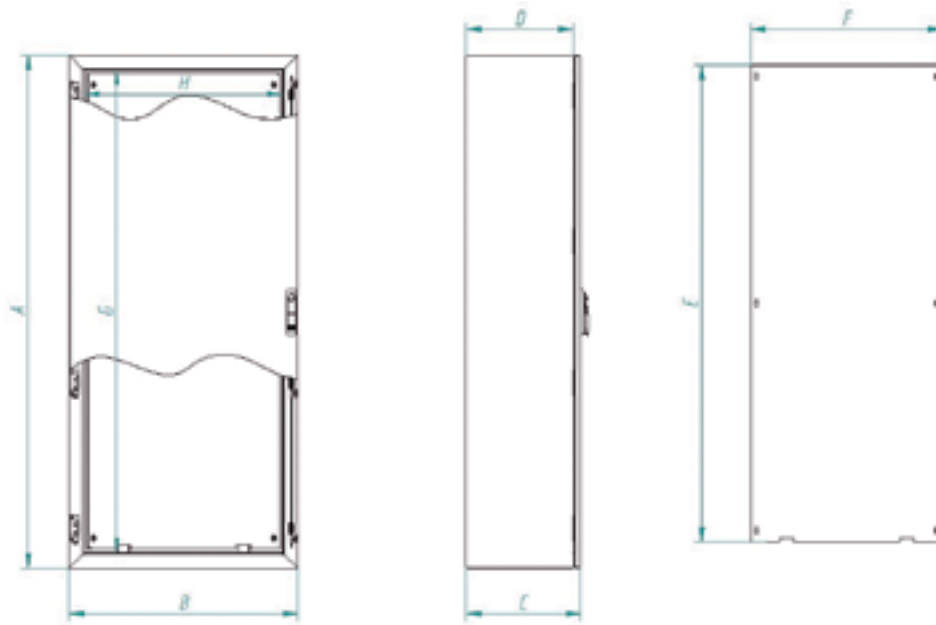
Available in one or two 120° revolving doors easily removable. We recommend grommet socket. Chrome closures.

APPLICATIONS

Specially designed for outdoor installations where superior quality and durability needed.

Approved for the food industry, electrical panel, chemical, pharmaceutical, maritime, telecommunications and outdoor general, given the advantages of durability and strength.

TECHNICAL CHARACTERISTICS



REFERENCES 1 DOOR							
BLIND DOOR	POLYCARBONATE DOOR	POLYCARBONATE DOOR + INSIDE DOOR	HEIGHT -A-	WIDTH -B-	DEPTH -C-	WEIGHT (Kg)	VOLUME (m ³)
MVGC166040	MVGC166040T	MVGC166040TC	1650	600	400	70,9	0,42
MVGC168040	MVGC168040T	MVGC168040TC		800		93,25	0,56
MVGC161040	MVGC161040T	MVGC161040TC		1000		111,3	0,70
MVGC186040	MVGC186040T	MVGC186040TC	1800	600	500	76,61	0,46
MVGC188040	MVGC188040T	MVGC188040TC		800		100,76	0,61
MVGC186050	MVGC186050T	MVGC186050TC		600		84,69	0,57
MVGC188050	MVGC188050T	MVGC188050TC	1800	800	400	107,21	0,76
MVGC181040	MVGC181040T	MVGC181040TC		600		120,24	0,76
MVGC181050	MVGC181050T	MVGC181050TC		800		127,18	0,95
MVGC206040	MVGC206040T	MVGC206040TC	2000	600	400	84,68	0,51
MVGC208040	MVGC208040T	MVGC208040TC		800		111,19	0,68
MVGC208050	MVGC208050T	MVGC208050TC		500		118,13	0,85
MVGC201040	MVGC201040T	MVGC201040TC	2000	1000	400	132,58	0,85
MVGC201050	MVGC201050T	MVGC201050TC			500	140	1,05

REFERENCES 2 DOORS							
BLIND DOOR	POLYCARBONATE DOOR	POLYCARBONATE DOOR + INSIDE DOOR	HEIGHT -A-	WIDTH -B-	DEPTH -C-	WEIGHT (Kg)	VOLUME (m ³)
MVGC161240	MVGC161240T	MVGC161240TC	1650	1200	400	129,33	0,84
MVGC181240	MVGC181240T	MVGC181240TC	1800			139,7	0,91
MVGC181250	MVGC181250T	MVGC181250TC			500	147,12	1,14
MVGC201240	MVGC201240T	MVGC201240TC	2000	1400	400	149,61	1,02
MVGC201250	MVGC201250T	MVGC201250TC			500	157,51	1,26
MVGC201440	MVGC201440T	MVGC201440TC			400	169,38	1,18
MVGC201450	MVGC201450T	MVGC201450TC	2000	1600	500	177,76	1,49
MVGC201640	MVGC201640T	MVGC201640TC			400	189,12	1,35
MVGC201650	MVGC201650T	MVGC201650TC			500	197,99	1,68

*Ask for minimum order

Separation plaque fund 20mm



MECHANICAL PARTS
GUARANTEE

NORMS

- IEC 60529 norm. IP65 (IP55 two doors). Up to IP66 by request.
- UL approval Nema 1, 3r, 4, 12. N°File E342220.
- IEC 62262 norm. Maximum IK10 resistance.
- 2006/95/CE directive. Low voltage ruling directive.
- CE 1935/2004 norm. Materials intended to come into contact with food.
- Maximum voltage 1000V.
- Temperature resistant: -40°C +100°C (short time +160°C).
- Option silicone gasket: from -60°C to +180°C (short time up to +350°C).

OPTIONS

- Custom made based on your needs. With a choice of two doors.
- Switchboard graffiti-proof pain.
- Socles.
- Castors.
- Metal legs.
- Clear polycarbonate door.
- Transparent safety glass door.
- EMC version according to EEC 89/336 of electromagnetic compatibility.



Our enclosures are manufactured under the most stringent quality standards

Standard with chrome fasteners and stainless steel hinges.



Example

CHARACTERISTICS

- Broad assembly area and great accessibility.
- Endless choices, modules and measurements.
- Welded body, which gives it great strength.
- Side rear, top and bottom panels, easily removable.
- Door opens to 120°.
- Standard with chrome fasteners and stainless steel hinges.
- Perfect sealing thanks to gaskets used in the joints.
- Delvalle supplies any measurements required including custom built holes and cut outs both for the door and enclosure.
- Distributed load 1000 kg.
- Painted galvanized steel RAL 7035.
- Approved for outdoor installations.
- Welded structure.
- Stainless steel hinges.
- Chrome closures.

DESCRIPTION AND DESIGN

The painted galvanized steel enclosures TITAN Series are modular, fully customizable, flexible environments for food industries, petrochemical, pharmaceutical, power, which need a presence, hygiene, sealing and longer service life.

The doors are hinged and easily removable with a 120 ° opening, side, rear and top and bottom are removable by screws. Finished in RAL 7035, chrome fasteners and stainless steel hinges.

APPLICATIONS

Specially designed for outdoor installations.

Due to its versatility it can be placed in the food, pharmaceutical, where hygiene is essential, as in petrochemicals, power, where the sealing is critical and industrial environments in general.



TECHNICAL CHARACTERISTICS

REFERENCES			DIMENSIONS (mm)				
BLIND DOOR	TRANSPARENT DOOR	N°	HEIGHT -A-	WIDTH -B-	DEPTH -C-	WEIGHT (Kg)	VOLUME (m ³)
AMCGI26040	AMCGI26040T	1	1200	600	400	79,75	0,31
AMCGI26060	AMCGI26060T	1			600	91,51	0,46
AMCGI26080	AMCGI26080T	1			800	107,1	0,61
AMCGI28040	AMCGI28040T	1	1200	800	400	98,23	0,41
AMCGI28060	AMCGI28060T	1			600	110,97	0,61
AMCGI28080	AMCGI28080T	1			800	127,51	0,81
AMCGI46040	AMCGI46040T	1	1400	600	400	87,81	0,36
AMCGI46060	AMCGI46060T	1			600	101	0,53
AMCGI46080	AMCGI46080T	1			800	118,01	0,71
AMCGI48040	AMCGI48040T	1	1400	800	400	112,63	0,48
AMCGI48060	AMCGI48060T	1			600	123,12	0,71
AMCGI48080	AMCGI48080T	1			800	141,09	0,94
AMCGI66040	AMCGI66040T	1	1600	600	400	98,14	0,41
AMCGI66060	AMCGI66060T	1			600	111,41	0,61
AMCGI66080	AMCGI66080T	1			800	129,82	0,81
AMCGI68040	AMCGI68040T	1	1600	800	400	121,01	0,55
AMCGI68060	AMCGI68060T	1			600	135,25	0,81
AMCGI68080	AMCGI68080T	1			800	154,61	1,07
AMCGI61040	AMCGI61040T	1	1600	100	400	139,78	0,68
AMCGI61060	AMCGI61060T	1			600	154,98	1,01
AMCGI61080	AMCGI61080T	1			800	175,31	1,34
AMCGI61240	AMCGI61240T	1	1600	120	400	158,53	0,81
AMCGI61260	AMCGI61260T	1			600	174,69	1,21
AMCGI61280	AMCGI61280T	1			800	195,98	1,60
AMCGI86040	AMCGI86040T	1	1800	600	400	106,65	0,46
AMCGI86050	AMCGI86050T	1			500	113,98	0,57
AMCGI86060	AMCGI86060T	1			600	121,32	0,69
AMCGI86080	AMCGI86080T	1	1800	800	400	141,16	0,91
AMCGI88040	AMCGI88040T	1			500	131,75	0,61
AMCGI88050	AMCGI88050T	1			600	139,56	0,76
AMCGI88060	AMCGI88060T	1	1800	1000	400	147,38	0,91
AMCGI88080	AMCGI88080T	1			600	168,19	1,21
AMCGI81040	AMCGI81040T	1			400	139,78	0,68
AMCGI81050	AMCGI81050T	1	1800	1200	500	160,56	0,95
AMCGI81050/2	AMCGI81050/2T	2			500	166,76	0,95
AMCGI81060	AMCGI81060T	1			600	168,86	1,13
AMCGI81060/2	AMCGI81060/2T	2	1800	1200	600	175,26	1,13
AMCGI81080	AMCGI81080T	1			800	190,63	1,50
AMCGI81240	AMCGI81240T	1			400	172,76	0,91
AMCGI81250	AMCGI81250T	1	1800	1200	500	181,53	1,14
AMCGI81260	AMCGI81260T	1			600	190,31	1,36
AMCGI81280	AMCGI81280T	1			800	213,05	1,80

REFERENCES			DIMENSIONS (mm)						
BLIND DOOR	TRANSPARENT DOOR	N°	HEIGHT -A-	WIDTH -B-	DEPTH -C-	WEIGHT (Kg)	VOLUME (m ³)		
AMCG206040	AMCG206040T	1	2000	600	400	116,39	0,51		
AMCG206050	AMCG206050T	1			500	124,2	0,64		
AMCG206060	AMCG206060T	1			600	132,02	0,76		
AMCG206080	AMCG206080T	1			800	153,28	1,01		
AMCG208040	AMCG208040T	1	2000	800	400	143,7	0,68		
AMCG208050	AMCG208050T	1			500	152	0,85		
AMCG208060	AMCG208060T	1			600	160,28	1,01		
AMCG208080	AMCG208080T	1			800	182,51	1,34		
AMCG208010	AMCG208010T	1	2000	1000	100	199,58	1,67		
AMCG201040	AMCG201040T	1			400	165,96	0,85		
AMCG201040/2	AMCG201040/2T	2			400	165,96	0,85		
AMCG201050	AMCG201050T	1			500	174,73	1,05		
AMCG201050/2	AMCG201050/2T	2	2000	1200	500	174,73	1,05		
AMCG201060	AMCG201060T	1			600	183,52	1,26		
AMCG201080	AMCG201080T	1			800	206,7	1,67		
AMCG201240/2	AMCG201240/2T	2			400	195,03	1,02		
AMCG201250/2	AMCG201250/2T	2	2000	1200	500	204,48	1,26		
AMCG201260/2	AMCG201260/2T	2			600	213,94	1,51		
AMCG201280/2	AMCG201280/2T	2			800	238,49	1,99		
AMCG221260/2	AMCG221260/2T	2			600	229,97	1,65		
AMCG221280/2	AMCG221280/2T	2	2200	600	800	255,95	2,19		
AMCG226060	AMCG226060T	1			600	141,93	0,84		
AMCG226080	AMCG226080T	1			2200	800	800	164,63	1,11
AMCG228060	AMCG228060T	1					800	172,38	1,11
AMCG228080	AMCG228080T	1	2200	1000	800	196,04	1,47		
AMCG221060	AMCG221060T	1			600	197,36	1,38		
AMCG221080	AMCG221080T	1			800	221,97	1,83		
AMCG221080/2	AMCG221080/2T	2	800	229,84	1,83				

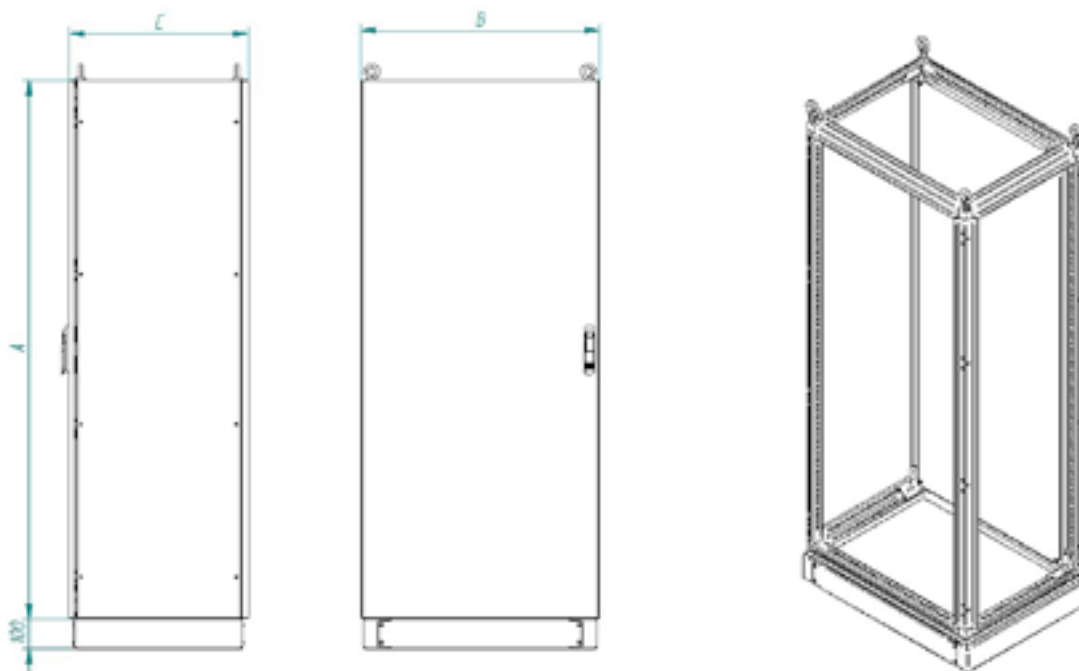
One door: N° 1
Two doors: N° 2

Separation plaque fund 20mm



5
YEAR

GUARANTEE
MECHANICAL PARTS



NORMS

- IEC 60529 norm. IP55 and up to IP66 by request.
- UL approval Nema 1, 3r, 4 y 12. N° File E342220.
- IEC 62262 norm. Maximum IK10 resistance.
- 2006/95/CE directive. Low voltage ruling directive.
- Maximum voltage 1000 V
- Temperature resistant: -40°C +100°C (short time +160°C).
- Option silicone gasket: from -60°C to +180°C (short time up to +350°C).

OPTIONS

- Custom made based on your needs. With the possibility to join several modules.
- Switchboard graffiti-proof pain.
- Socles. Swing rack. All types of ventilation.
- Eyebolt (not included in standard model).
- Cable entry cover at base.
- Metal legs and wheels.
- Transparent polycarbonate door, with tempered glass or with safety glass.
- Mounting plate insulator (Bakelite) or painted steel.
- EMC version according to EEC 89/336 of electromagnetic compatibility.



Our enclosures are manufactured under the most stringent quality standards

Perfect sealing gaskets
used by the joints.

CHARACTERISTICS

- Unlimited options.
- The manufacture monobloc allows sealing and ensures maximum resistance.
- Perfect sealing gaskets used by the joints.
- Delvalle supplies any measurements required including custom built holes and cut outs both for the door and enclosure.
- Approved for outdoor installations.
- Special Customized Solutions.
- Galvanized steel painted RAL 7035.
- Unloosable screws in stainless steel.



Example

DESCRIPTION AND DESIGN

The painted galvanized steel junction boxes GEO are tight, elegant and functional, made of galvanized steel painted RAL 7035.

Available with blind or machine lid, specially designed for the placement of buttons, button.

The lid is secured by means of stainless steel screws easy placement, which are embedded without projecting from the front of the box.

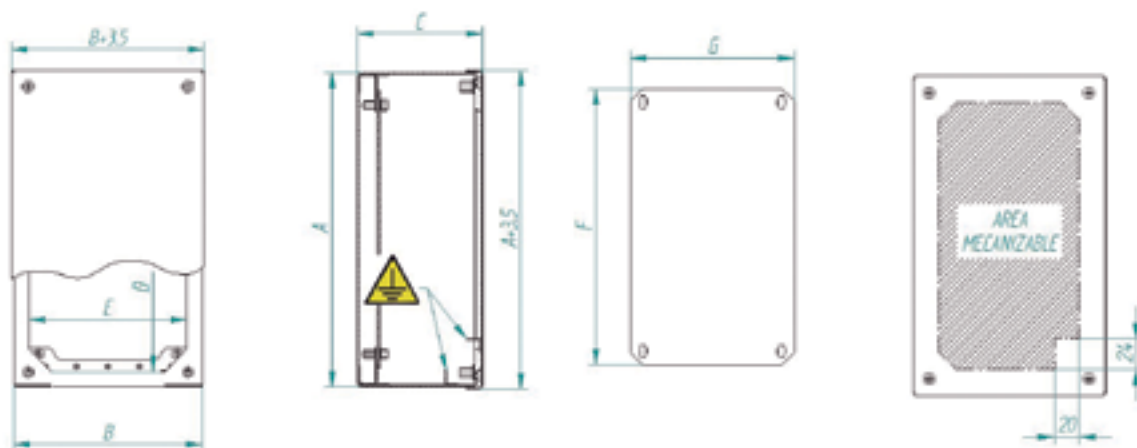
APPLICATIONS

Specially designed and approved for outdoor installations, transformers, telecommunications and outdoors because of its advantages of durability and resistance to chemical agents.



GUARANTEE
MECHANICAL PARTS

TECHNICAL CHARACTERISTICS



GEO PAINTED GALVANIZED STEEL BOXES

REFERENCES		HOLES NUMBER	HEIGHT - A -	WIDTH - B -	DEPTH - C -	WEIGHT (Kg)	VOLUME (m ³)
BLIND COVER	PERFORATED COVER						
MVCBG909080	MVCBG909080P	1	90	90	80	0,68	0,001
MVCBG101612	MVCBG101612P	2	100	160	120	0,92	0,001
MVCBG149080	MVCBG149080P	3	140	90	80	1,2	0,002
MVCBG161612	MVCBG161612P	4	160	160	120	1,75	0,004
MVCBG209080	MVCBG209080P	3	200	90	80	1,29	0,003
MVCBG202012	MVCBG202012P	4	200	200	120	1,81	0,004
MVCBG202515	MVCBG202515P	6	200	250	150	2,53	0,006
MVCBG203015	MVCBG203015P	12	200	300	150	3,25	0,009
MVCBG252515	MVCBG252515P	16	250	250	150	3,87	0,012
MVCBG269012	MVCBG269012P	15	260	90	120	3,75	0,011
MVCBG303015	MVCBG303015P	25	300	300	150	5,16	0,016
MVCBG304015	MVCBG304015P	35	300	400	150	6,64	0,022
MVCBG404015	MVCBG404015P	49	400	400	150	8,41	0,028

(x) Ask for minimum order



NORMS

- IEC 60529 norm. IP66 degree.
- UL approval Nema 1, 3r, 4 y 12. N° File E342220.
- IEC 62262 norm. Maximum IK10 resistance.
- 2006/95/CE directive. Low voltage ruling directive.
- Maximum voltage 1000V.
- Temperature resistant: -40°C +100°C (short time +160°C).
- Option silicone gasket: from -60°C to +180°C (short time up to +350°C).

OPTIONS

- Custom made based on your needs.
- Metal legs. Unloosable screws.
- Switchboard graffiti-proof pain.
- Transparent polycarbonate door or with tempered glass.
- EMC version according to EEC 89/336 of electromagnetic compatibility.



Our enclosures are manufactured under the most stringent quality standards

Painted galvanized steel outdoor enclosure **TROPICO**



Example

Stainless steel hinges.

CHARACTERISTICS

- Automatic condensation evacuation.
- The enclosure includes anti-vandalism locks and handles, adapted for electric and gas company locking systems.
- Chrome plated locks and hinges in stainless steel.
- Delvalle makes to order any pre-cut units for your needs, including holes, channels, both in the door and in the enclosure itself.
- 100% painted galvanized steel RAL 7035.
- Stainless steel hinges.
- Approved for outdoor public lighting installations outdoors.
- Wide range of accessories.

DESCRIPTION AND DESIGN

TROPIC Series are manufactured from galvanized steel painted RAL 7035 are developed and designed for outdoor use, with recessed door closing vandal triple action rotary knob. Also get a water-resistant to IP66 (IP23 with ventilation gills) and the highest possible resistance IK10.

Self-ventilated hood and optionally engages socket, not forgetting the high resistance of inlaid doors, so it is designed against vandalism.

APPLICATIONS

Our painted galvanized steel outdoor enclosures TROPICO Series' finish and seal are specially designed for outdoor telecommunications, lighting, auxiliary services on railway lines, as well as to house, with all reliability, protection of electrical equipment and electronic, in the railway sector, urban built and telecommunications (ICT), TV, ISDN, RT, TB, TLCA.

Painted galvanized steel outdoor enclosure **TROPICO**

REFERENCES															
REFERENCES	HEIGHT -A-	WIDTH -B-	DEPTH -C-	ACCESS -GxH-	INSIDE DEPTH -D-	MACHINABLE AREA		PLAQUE MEASUREM. -ExF-	DOORS NUMBERS						
						Door	Lateral								
MVHD106032	1000	600	320	883x483	297,5	858.5x412.8	990 x 310	870 x 475	1						
MVHD106040			400		377,5		990 x 390								
MVHD106050			500		477,5		990 x 490								
MVHD126032	1200		320	1083x483	297,5	1058.8x412.8	1190 x 310	1070 x 475							
MVHD126040			400		377,5		1190 x 390								
MVHD126050			500		477,5		1190 x 490								
MVHD108032	1000	800	320	883x683	297,5	800x530	990 x 310	870 x 675							
MVHD108040			400		377,5		990 x 390								
MVHD108050			500		477,5		990 x 490								
MVHD128032	1200		1000	320	1083x683	297,5	1000x530	1190 x 310		1070 x 675					
MVHD128040				400		377,5		1190 x 390							
MVHD128050				500		477,5		1190 x 490							
MVHD121032	1200	1000		320	1083x683	297,5	1058.5 x 322.3 y 1058.5 x 255.8	1190 x 310	1070 x 870						
MVHD121040				400		377,5		1190 x 390							
MVHD121050				500		477,5		1190 x 490							
MVHD101232	1000		1200	320	883x1083	297,5	858.5 x 522.3 y 858.5 x 455.8	990 x 310	870 x 1070						
MVHD101240				400		377,5		990 x 390							
MVHD101250				500		477,5		990 x 490							
MVHD801432	800	1400		320	683x1283	297,5	658.5 x 722.3 y 658.5 x 655.8	790 x 310	2						
MVHD101432	1000			1400	883x1283	377,5	858.5 x 722.3 y 858.5 x 655.8	990 x 310							
MVHD101440								400		990 x 390					
MVHD101450			500					990 x 490							
MVHD121432	1200		1400		1083x1283	377,5	1058.5 x 722.3 y 1058.5 x 655.8	1190 x 310		1070 x 1270					
MVHD121440								400			1190 x 390				
MVHD121450		500						1190 x 490							
MVHD141432	1400	1400		1283x1283	377,5	1258.5 x 722.3 y 1258.5 x 655.8	1390 x 310	1270 x 1270							
MVHD141440							400		1390 x 390						
MVHD141450							500		1390 x 490						
MVHD121632	1200		1600	320	1083x1483	297,5	1000 x 570 y 1000 x 570	1190 x 310	1070 x 1470						
MVHD121640				400		377,5		1190 x 390							
MVHD121650				500		477,5		1190 x 490							
MVHD161832	1600	1800		320	1483x1883	297,5	1458.5 x 438.1	1590 x 310							
MVHD161840				400		377,5		1590 x 390							
MVHD161850				2000		500		1483x1883		477,5	1458.5 x 504.8	1590 x 490			
MVHD162050	2200		500		1683x1883		477,5		1658.5 x 504.8			1470 x 1870			
MVHD182050												2200	500	2083x1883	477,5
MVHD222050				2200				500		2083x1883	477,5				
MVHD121657	1200	2200			320		1083x2083		297,5						
MVHD121658					400				377,5			1190 x 310		1070 x 2070	
MVHD121659				500	477,5	1190 x 390									
MVHD121660	1800		2400	1683x2283	477,5	1600 x 555.3	1790 x 490								
MVHD121661							2000		500	1883x2283	477,5	1800 x 555.3	1670 x 2270		
MVHD121662								2200					500	2083x2283	477,5
	2200	500		2083x2283	477,5	2000 x 555.3									
							2200			500	2083x2283	477,5			
								2200						500	2083x2283

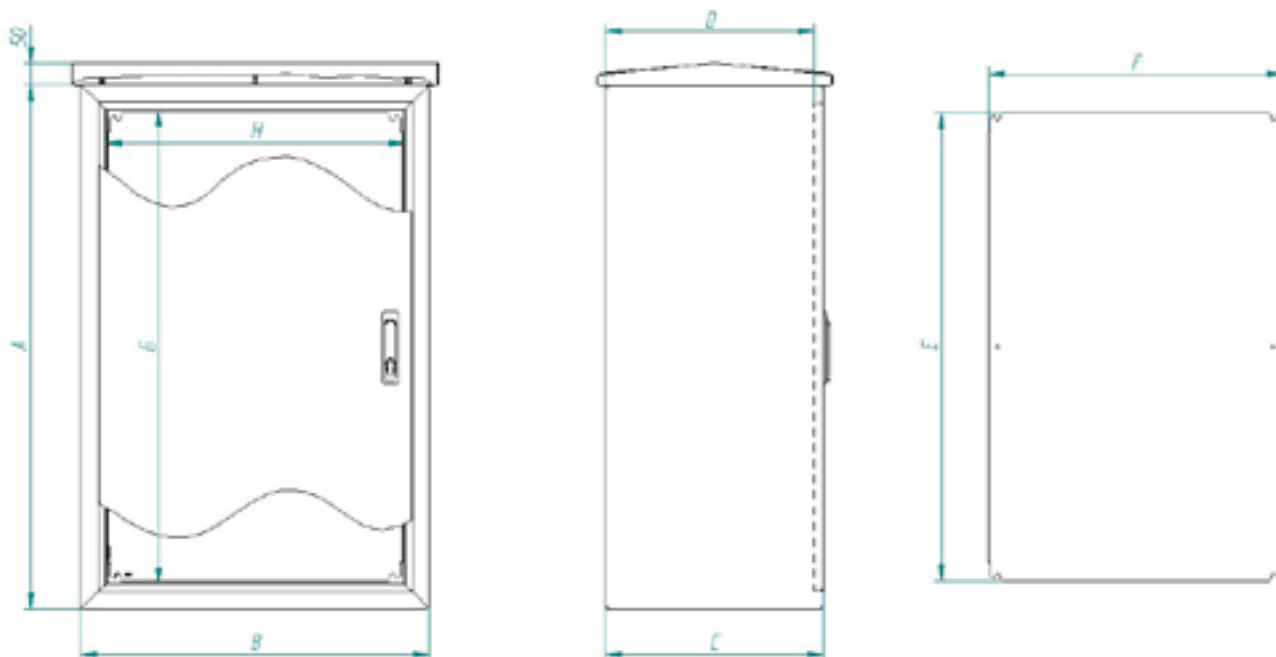
* Ask for minimum order

Separation plaque fund 30mm



GUARANTEE
MECHANICAL PARTS

Painted galvanized steel outdoor enclosure **TROPICO**



NORMS

- EN 62208 and EN 60529 norms. IP66 degree.
- UL approval Nema 1, 3r, 4 y 12. N° File E342220.
- IEC 62262 norm. Maximum IK10 hit resistance.
- IEC 60068-2-30 and IEC 60068-2-11 norms.
- 2006/95/CE directive.
- EN 60439-5 norm. Resistant to impact sharp objects.
- Maximum voltage 1000 V.
- Temperature resistant: -40°C +100°C (short time +160°C).
- Option silicone gasket: from -60°C to +180°C (short time up to +350°C).

OPTIONS

- Plinths at base for enclosures of any size. They allow enclosures to stand above the floor, with extra room for cable entry. Available as 100mm and 200mm high.
- Fasteners and anchors for ground fixing.
- Graffiti-proof protective paint.
- EMC version according to EEC 89/336 of electromagnetic compatibility.



Our enclosures are manufactured under the most stringent quality standards



Example

The best system of telecommunication rack cabinets on the market.

CHARACTERISTICS

- The best system of telecommunication rack cabinets on the market.
- Earthquake and vibration control.
- Thermo insulated and self-cooled.
- Approved water resistant sealing and UL certified, on exterior doors.
- Maximum security against vandalism and lever forced opening.
- Anti-vandalism socket.
- Painted galvanized steel RAL 7035.
- Chrome closures.
- Stainless steel hinges.
- With double wall thermo-isolation.
- Highly resistant to vandalism.

DESCRIPTION AND DESIGN

TORNADO Series specially designed for outdoor weather system: heat insulated double wall, autoventilated for better protection of electronics, servers, CCTV, telecommunications, voice, data, fiber optic, etc.. Ideal to protect electronic equipment against temperature changes.

Incorporates anti insect mesh to prevent entry of the same to the inside of the closet where the teams stand.

The interior design allows for easy placement of racks, mounting plates, trays, separators, etc.

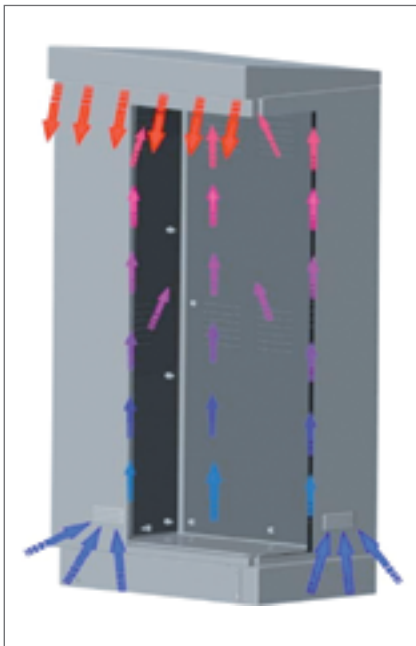
Provided with removable gland tray for easy machining holes. Includes socket 100 mm, rack 19 "rack, galvanized steel painted RAL 7035. Vandal black handle made of duralumin with key lock.

APPLICATIONS

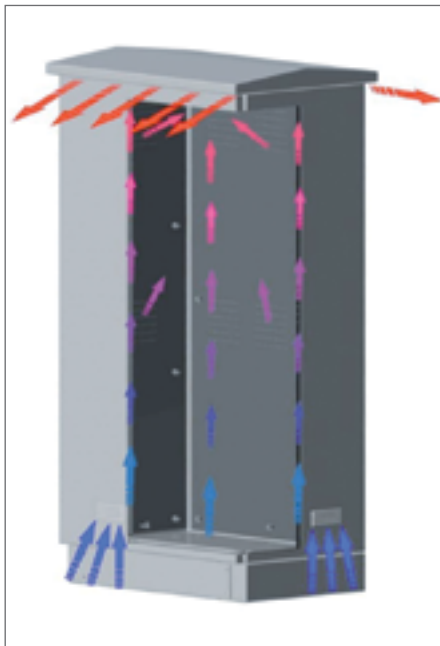
Ideal for placing computers outside, weather stations, telephony, CCTV, ETSI, fiber optics, security and video surveillance, lighting, telecommunications, signaling and traffic control or any other application that needs extra protection and is housed in outside.

AIR MOVEMENT INSIDE THE CABINET

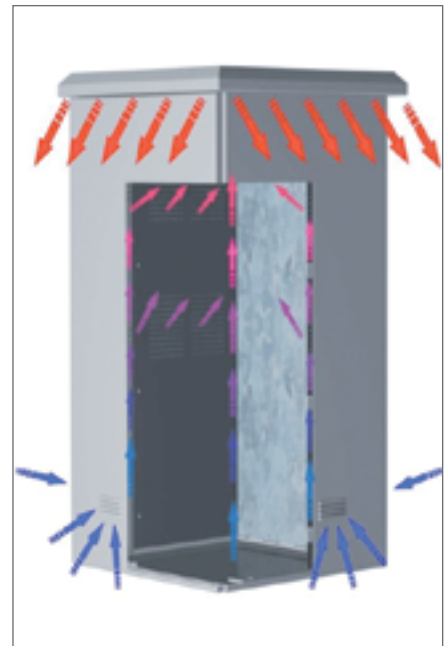
STANDARD FRONT
VENTILATION CABINET



CABINET WITH EXTRA
VENTILATION
(front and back)



CABINET WITH EXTRA
VENTILATION
(four sides)



NORMS

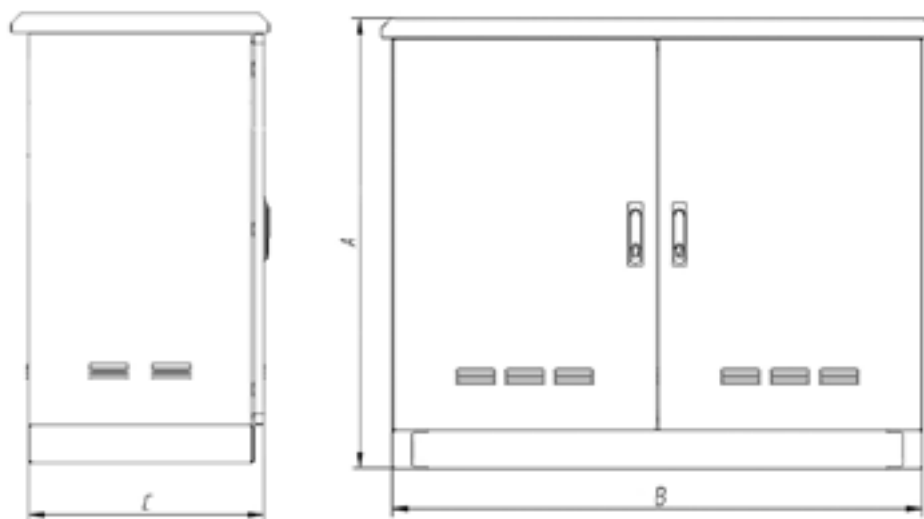
- IEC EN 62208 and EN 60529/10.91 norms. IP54 degree (up to IP66).
- UL approval Nema 1, 3r, 4 y 12. N° File E342220.
- Maximum voltage 1000V.
- Temperature resistant: -40°C +100°C (short time +160°C).
- Option silicone gasket: from -60°C to +180°C (short time up to +350°C).
- EN61969-3 norm. Mechanical Structures for Electronic Equipment and Outdoor Enclosures.

OPTIONS

- Delvalle can design a specific solution to the client's requirements.
- 19" or 21", depending on rack support position.

- Ventilation KIT: fan, dual thermostat and resistance heater.
- Several options in roof ventilation.
- Tratamiento antigraffiti.
- 200 mm plinth at base.
- Possibility of including air conditioning equipment attached to one side or the roof.
- Can also be supplied without a frame rack but with trays.
- Handle with locking system.
- Available with 1 or 2 doors.
- Full range of accessories available.
- The tray can includes micro cuts for later placement of different options.

TECHNICAL CHARACTERISTICS



REFERENCES		DIMENSIONS (mm)					
GALVANIZED	DESCRIPTION	HEIGHT (A)	WIDTH (B)	DEPTH (C)	Machanable area 2 doors	Area Side machinable	Plaque measur.,
TRG116080	TORNADO 20 U	1185	600	800	905x430	925x715	965x530
TRG116060	TORNADO 20 U	1185	600	600	905x430	925x515	965x530
TRG118080	TORNADO 20 U	1185	800	800	905x630	925x715	965x730
TRG118060	TORNADO 20 U	1185	800	600	905x630	925x515	965x730
TRG136080	TORNADO 20 U	1385	600	800	1105x430	1125x715	1165x530
TRG136060	TORNADO 25 U	1385	600	600	1105x430	1125x515	1165x530
TRG138080	TORNADO 25 U	1385	800	800	1105x630	1125x715	1165x730
TRG138060	TORNADO 25 U	1385	800	600	1105x630	1125x515	1165x730
TRG156080	TORNADO 30 U	1585	600	800	1305x430	1325x715	1365x530
TRG156060	TORNADO 30 U	1585	600	600	1305x430	1325x515	1365x530
TRG158080	TORNADO 30 U	1585	800	800	1305x630	1325x715	1365x730
TRG158060	TORNADO 30 U	1585	800	600	1305x630	1325x515	1365x730
TRG186080	TORNADO 35 U	1885	600	800	1555x430	1575x715	1615x530
TRG186060	TORNADO 35 U	1885	600	600	1555x430	1575x515	1615x530
TRG188080	TORNADO 35 U	1885	800	800	1555x630	1575x715	1615x730
TRG188060	TORNADO 35 U	1885	800	600	1555x630	1575x515	1615x730
TRG206080	TORNADO 40 U	2060	600	800	1780x430	1800x715	1840x530
TRG206060	TORNADO 40 U	2060	600	600	1780x430	1800x515	1840x530
TRG208080	TORNADO 40 U	2060	800	800	1780x630	1800x715	1840x730
TRG208060	TORNADO 40 U	2060	800	600	1780x630	1800x515	1840x730
TRG208060	TORNADO 40 U	2060	800	600	1780x630	1800x515	1840x730

REFERENCES. TORNADO 2 DOORS				
GALVANIZED	Descrp.	HEIGHT (A)	WIDTH (B)	DEPTH (C)
TRG111380D	20 U	1160	1350	800
TRG111360D				600
TRG131380D	25 U	1385		800
TRG131360D				600
TRG161380D	30 U	1610		800
TRG161360D				600
TRG181380D	35 U	1835	800	
TRG181360D			600	

* All tables refers to standard measures.
We work measure. We adapt to client



GUARANTEE
MECHANICAL PARTS

UL version: Add "UL" to the reference. Ex "TRG116080UL"
Separation plaque fund 20mm

*Rear door: Add P to the reference. Ex: TRG116080P.



Our enclosures are manufactured under the most stringent quality standards

Grandes propiedades mecánicas y alta resistencia a la torsión.



Example

CHARACTERISTICS

- Grandes propiedades mecánicas y alta resistencia a la torsión.
- Con junta hidrófuga inyectada, de forma que no puede acumularse humedad.
- Amplio espacio útil e interior.
- Dispositivo retenedor de puerta con topes.
- El armario incluye maneta antivandálica, que evita aperturas forzadas, adecuada para cierres de perfil semicilíndrico, llaves de compañía eléctrica, de gas, etc.
- Delvalle puede adaptar este diseño a la medida que requiera el cliente conservando los fundamentos de aislamiento, estanqueidad y seguridad.
- En acero galvanizado pintado RAL 7035.
- Homologado para instalaciones de intemperie.
- Bisagras en acero inoxidable.
- Amplio espacio interior

DESCRIPTION AND DESIGN

The STORM Series is designed for installation in urban and inter-urban areas, protecting the electronic equipment required for lighting, signage and video surveillance.

The STORM series are characterized by their high strength and spacious interior, with its manufacturing getting width and height than the rest useful. They are equipped with waterproof seal on exterior doors approved allowing sealing and internal stability ideal for placement in areas of extreme temperatures and harsh weather environments temperature. It is made of painted galvanized steel RAL 7035 and incorporates a vandal handle made

of a highly resistant material against vandalism and forced openings. The interior design allows easy placement of racks, mounting plates or separators.

APPLICATIONS

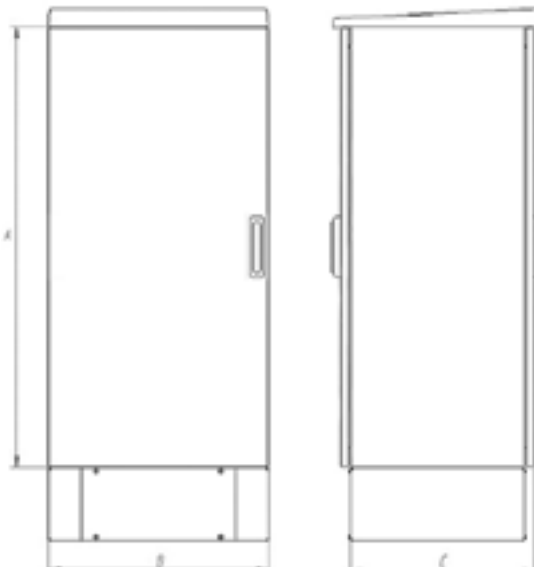
Our cabinets STORM series are specially designed for outdoor use. As its name suggests, its placement on roads is common for either signaling or lighting, as well as their use in monitoring in urban or interurban meteorological weather stations, telecommunications, telephony, fiber optic video.

TECHNICAL CHARACTERISTICS

FRONT DOOR



FRONT AND REAR DOOR



STORM PAINTED GALVANIZED				
REFERENCES	DIMENSIONS			
I DOOR	HEIGHT -A-	WIDTH -B-	DEPTH -C-	U's
RDG606040	600	600	400	12 U
RDG606050			500	
RDG606060			600	
RDG606080			800	
RDG806040	800	600	400	17 U
RDG806060			600	
RDG106060	1000	600	600	22 U
RDG126040	1200		400	24 U
RDG126050			500	
RDG126060			600	
RDG126080		800		
RDG146040	1450	800	400	30 U
RDG146050			500	
RDG146060			600	
RDG146080			800	
RDG148040	800	800	400	30 U
RDG148050			500	
RDG148060			600	
RDG148080			800	
RDG168080	1600	900	800	35 U
RDG159080	1500		800	33 U
RDG196040	1900	600	400	40 U
RDG196050			500	
RDG196060			600	
RDG196080			800	
RDG198040	800	800	400	40 U
RDG198050			500	
RDG198060			600	
RDG198080			800	

STORM PAINTED GALVANIZED						
REFERENCES	DIMENSIONS					
REAR DOOR	HEIGHT -A-	WIDTH -B-	DEPTH -C-	U's		
RDG606080P	600	600	800	12 U		
RDG126080P	1200		800	24 U		
RDG146080P	1450	800	800	30 U		
RDG148040P	1450		400			
RDG148050P	1450		500			
RDG148060P	1450		600			
RDG148080P	1450	800	800	40 U		
RDG196080P	1900		600		800	
RDG198040P	1900		800		400	40 U
RDG198050P	1900				500	
RDG198060P	1900	600				
RDG198080P	1900	800				



**GUARANTEE
MECHANICAL PARTS**

Painted galvanized steel outdoor rack **STORM** IP66

NORMS

- EN 62208 and EN 60529 norms. IP66 degree.
- UL approval Nema 1, 3r, 4 y 12. N° File E342220.
- IEC 62262 norm. Maximum IK10 resistance.
- EN 61969-3. Mechanical Structures for Electronic Equipment - outdoor enclosures -.
- IEC 60068-2-30 and IEC 60068-2-11 norms.
- 2006/95/CE directive.
- EN 60439-5 . Shock resistant against sharp objects.
- Maximum voltage 1000V.
- Temperature resistant: -40°C +100°C (short time +160°C).
- Option silicone gasket: from -60°C to +180°C (short time up to +350°C).

OPTIONS

- Diseños y pinturas especiales bajo demanda.
- Zócalo para cualquier medida que permiten elevar el armario del suelo y conseguir un alojamiento extra para entrada de cables. En alturas de 100 (estándar de serie) y 200 mm.
- Kit de ventilación (ventilador, resistencia y termostato)
- Tratamiento antigraffiti.
- Versión EMC según Norma CEE 89/336 de compatibilidad electromagnética.



Our enclosures are manufactured under the most stringent quality standards

Ventilation KIT

DESCRIPTION

After studying the requirements that our customers demand in ventilation issues, Delvalle includes a kit of accessories consisting of the following elements:

- Dual thermostat
- Roof fan
- Resistance heating



DUAL THERMOSTAT

The Electromechanical Humidistat which automatically controls the humidity inside the electrical panels, sends the signal to the fan or heater



RESISTANCE HEATING

Temperature variations inside control cabinets and housings, especially when installed outside, lead to condensation of water and consequently to malfunction and corrosion.



ROOF FAN

Placing a fan at the top of the cabinet brings a continuous flow of air inside.

REFERENCE

Reference TR01 AC01

DELVALLE, EXPERTS IN VENTILATION AND CLIMATE CONTROL

One solution for every need. Our engineers equipment will find the best climate control installation and get a better performance and greater energy and cost savings.



Offering possibilities, manufacturing solutions



STAINLESS STEEL ENCLOSURES



OUTDOOR ENCLOSURES



EX ATEX ENCLOSURES



LED LIGHTING



INDUSTRIAL ENCLOSURES



CLIMATE CONTROL SOLUTIONS



ACCESSORIES

Consult us without obligation

Confidentiality, reliability & quality

www.delvallebox.com
comercial@delvalle.es
+34 945 601 381

ALSO ONLINE





Enclosures & Cabinets for Special Requirements



Paso del Prao, 6. 01320 Oyón (Álava). Spain
Phone. +34 945 601 381
www.delvallebox.com - comercial@delvalle.es
Contact us, we will be available at any time.

