



INDUSTRIAL ENCLOSURE SOLUTIONS

comercial@delvalle.es | www.delvallebox.com

# FILTER FAN STAINLESS STEEL

## PRIUS SERIES IP55





## WE PUT AT YOUR DISPOSAL

We offer over **50 years** providing solutions to demanding customers who require very specific characteristics and behaviour according to the sector and their needs.

## WHEREVER YOU GO

We are committed to working closely with our customers, providing them with **exceptional service** and offering an advanced and extensive range of products with very competitive prices.

## HIGH STANDARD OF QUALITY AND SERVICES

We only use materials provided by companies who offer the very **highest quality**, suitable and certified products. Our success is due to top quality assurance: ISO 9001, SGS, UL, TÜV, ISO 14000 and Ohsas 18001.

## CUSTOMIZE TOTALLY YOUR ENCLOSURE

Our production systems can give custom-made solutions **on demand**. Every colour from RAL chart is available to be personalized. A variety of protection standards thanks to our own painting facilities.



**100%**  
Diseñado y fabricado íntegramente en España  
*Entirely designed and manufactures in Spain*

## CONTACT US

Confidentiality, reliability & quality

[www.delvallebox.com](http://www.delvallebox.com)  
[comercial@delvalle.es](mailto:comercial@delvalle.es)  
+34 945 601 381

ALSO ONLINE



## Please contact our technical sales department

A team of professionals with high experience and ability to solve all your queries



# FILTER FAN STAINLESS STEEL PRIUS SERIES IP55



Examples



## Low Consumption, High Efficiency and Very Silent

Built-in filter fan, high performance, low power, and soundless, with slim design, only 4 mm, and affordable price.

These fans are ideal for the removal of large heat loads inside the cabinets in an economical and easy way.

Its compact design, easy mounting and disassembly for quick cleaning make it ideal for use in any heat dissipation inside the enclosure. Quick assembly thanks to the mounting fast "Clip-on" with self-adhesive gasket.



[FOR MORE INFORMATION CLICK HERE](#)



## APPLICATIONS

Specially designed for use in installations that need a high level of protection IP55.



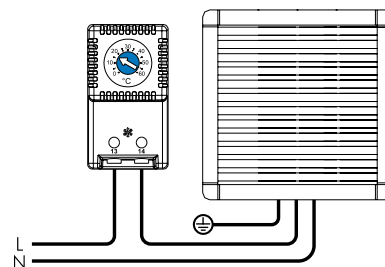
## ADVANTAGES

- Mounting fast "Clip-on".
- Self-adhesive gasket.
- Air flow direction "inside-out".
- Ball bearing.
- Maximum reliable and efficient.
- Panels with thickness in range 1.2 - 2.4 mm.
- Duty cycle 100%.
- The fan is supplied with filter designed with easy cleaning and high resistance.
- Stainless steel AISI 304 or AISI 316 (option).



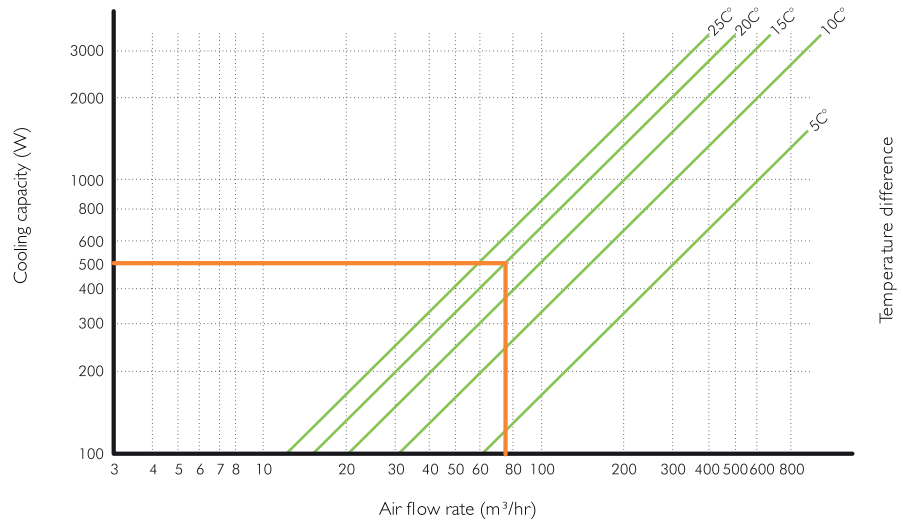
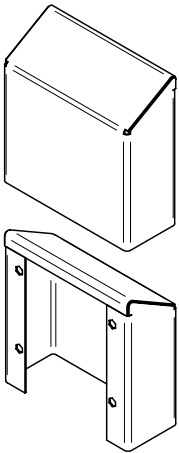
## OPTIONS

- We recommend install our thermostats (\*).
- Flow direction "outside-in".
- UL approved (underwriters laboratories) File N° E301228.



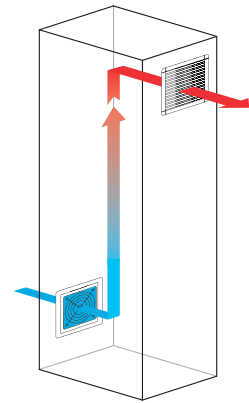
# FILTER FAN STAINLESS STEEL PRIUS SERIES IP55

## OPERATING DIAGRAM

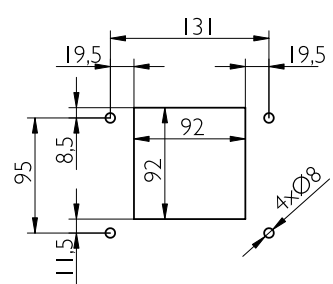
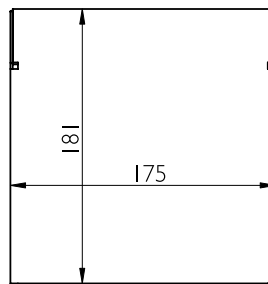
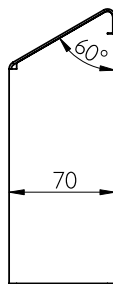
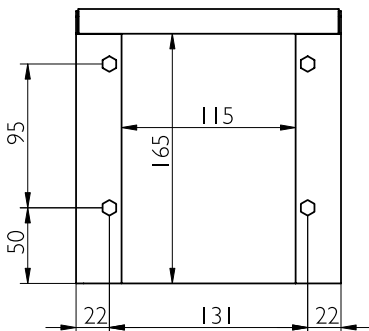


## NORMS

- IP55/Class I Norm IEC 60529.
- Built under directive 2014/35/UE low voltage.
- Operating temperature -10°C +70°C.
- Filter mat (Eurovent) EU2 and EU3 (depending on model).
- Material ABS UL94V-O colour RAL 7035.
- Life time +50.000 hours at 40°C.



## MODEL MVP024 (air flow 24m³/h)



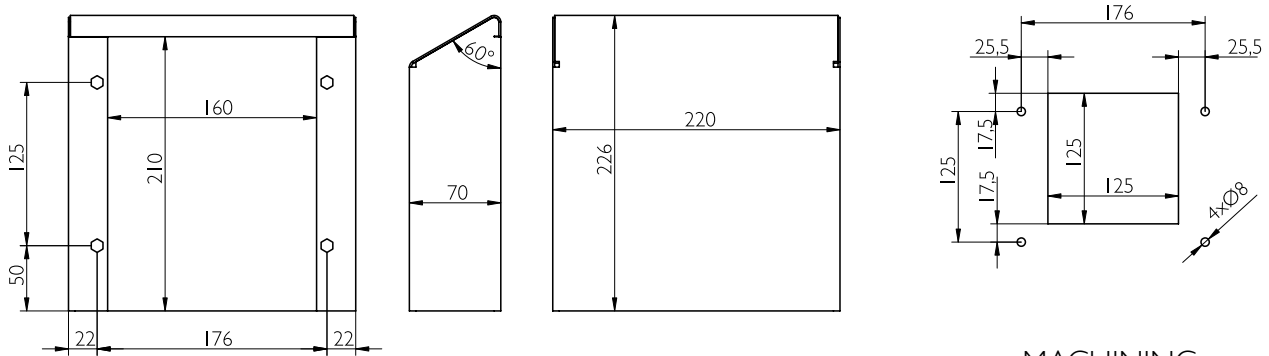
MACHINING

### REFERENCE - MVP024

REFERENCE	AIR FLOW	POWER SUPPLY	POWER	CURRENT CONSUMPTION	OVERCURRENT PROTECTION	ELECTRIC CONNECTION	NOISE	FILTER MAT (EUROVENT)	MECHINING MOUNTING
MVP024AS + MVP024CUBX	24m³/h	230V/50-60Hz	13W	0,10A	Impedance	faston 2,8x0,5mm	30dB	EU2	92x92 <sup>+0,5</sup> <sub>0</sub>
MVP024BS+ MVP024CUBX		115V/50-60Hz		0,14A					
MVP024DS+ MVP024CUBX		12VCD	3W	0,25A		2-pole terminal 1,5mm²	35dB		
MVP024ES+ MVP024CUBX		24VCD	4W	0,16A					
Version flow direction "outdoor-in"		Delete "S" to the reference Ex. "MVP024AS"							
Version Norme UL		Add "UL" to the reference Ex. "MVP024AS5UL"							
Version EMC		Add "M" to the reference. Ex. "MVP024AS5M"							
Version AISI 316		Replace "MVP024CUBX" in the reference by "MVP024CUBX6"							

# FILTER FAN STAINLESS STEEL PRIUS SERIES IP55

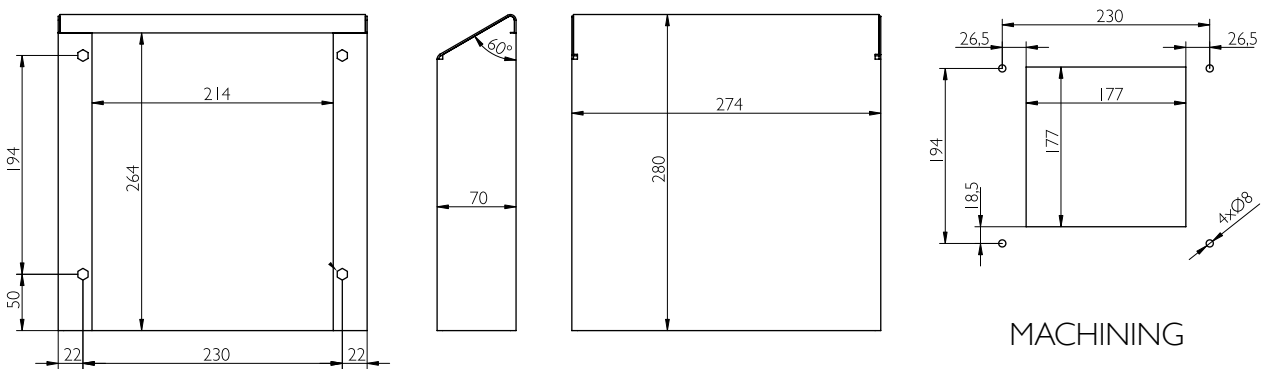
## MODEL MVP055 (air flow 55m<sup>3</sup>/h)



MACHINING

REFERENCE - MVP055									
REFERENCE	AIR FLOW	POWER SUPPLY	POWER	CURRENT CONSUMPTION	OVERCURRENT PROTECTION	ELECTRIC CONNECTION	NOISE	FILTER MAT (EUROVENT)	MECHINING MOUNTING
MVP055AS + MVP055CUBX	55m <sup>3</sup> /h	230V/50-60Hz	22W	0,14A	Impedance	faston 2,8x0,5mm	43dB	EU3	125x125 <sup>+1</sup> / <sub>0</sub>
MVP055BS + MVP055CUBX		115V/50-60Hz		0,26A					
MVP055ES + MVP055CUBX		24VCD	9W	0,37A					
MVP055FS + MVP055CUBX		48VCD	13W	0,27A					
Version flow direction "outdoor-in"		Delete "S" to the reference Ex. "MVP055AS"							
Version Norme UL		Add "UL" to the reference Ex. "MVP055AS5UL"							
Version EMC		Add "M" to the reference Ex. "MVP55AS5M"							
Version AISI 316		Replace "MV055UBX" in the reference by "MVP055CUBX6"							

## MODEL MVP120 (air flow 120m<sup>3</sup>/h)

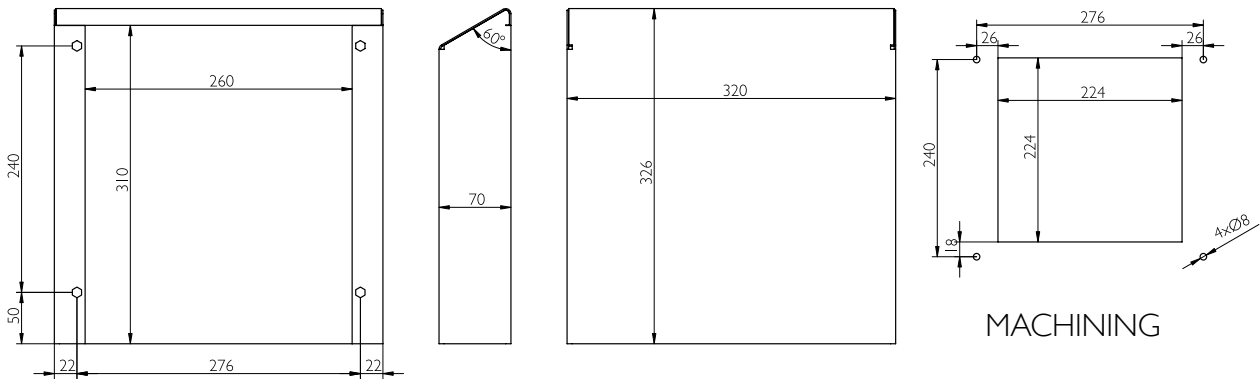


MACHINING

REFERENCE - MPV120									
REFERENCE	AIR FLOW	POWER SUPPLY	POWER	CURRENT CONSUMPTION	OVERCURRENT PROTECTION	ELECTRIC CONNECTION	NOISE	FILTER MAT (EUROVENT)	MECHINING MOUNTING
MVP120AS + MVP120CUBX	120m <sup>3</sup> /h	230V/50-60Hz	22W	0,14A	Impedance	faston 2,8x0,5mm	43dB	EU3	177x177 <sup>+1</sup> / <sub>0</sub>
MVP120BS + MVP120CUBX		115V/50-60Hz		0,26A					
MVP120ES + MVP120CUBX		24VCD	9W	0,37A					
MVP120FS + MVP120CUBX		48VCD	13W	0,27A					
Version flow direction "outdoor-in"		Delete "S" to the reference Ex. "MVP120AS"							
Version Norme UL		Add "UL" to the reference Ex. "MVP120AS5UL"							
Version EMC		Add "M" to the reference Ex. "MVP120AS5M"							
Version AISI 316		Replace "MVP120CUBX" in the reference by "MVP120CUBX6"							

# FILTER FAN STAINLESS STEEL PRIUS SERIES IP55

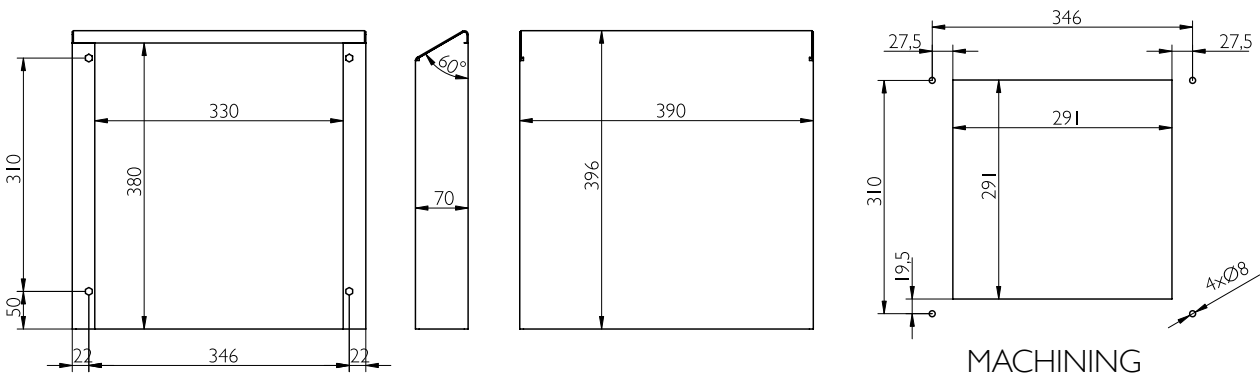
## MODELS MVP230 / MVP370 (air flow 230m<sup>3</sup>/h / 370m<sup>3</sup>/h)



### REFERENCE - MVP230 / MVP370

REFERENCE	AIR FLOW	POWER SUPPLY	POWER	CURRENT CONSUMPTION	OVERCURRENT PROTECTION	ELECTRIC CONNECTION	NOISE	FILTER MAT (EUROVENT)	MECHINING MOUNTING
MVP230AS + MVP230CUBX	230m <sup>3</sup> /h	230V/50-60Hz	40W	0,17A	Thermal	3-pole terminal 2,5mm <sup>2</sup>	53dB	EU3	224x224 +1
MVP230BS + MVP230CUBX		115V/50-60Hz		0,34A					
MVP230ES + MVP230CUBX		24VCD	26W	1,08A	Impedance		61dB		
MVP230FS + MVP230CUBX		48VCD	33W	0,68A					
MVP370AS + MVP230CUBX	370m <sup>3</sup> /h	230V/50-60Hz	70W	0,40A	Thermal	4-pole terminal 1,5mm <sup>2</sup>	65dB		
MVP370BS + MVP230CUBX		115V/50-60Hz		0,80A					
MVP370CS + MVP230CUBX		400V/50-60Hz	60W	0,18A					
Version flow direction "outdoor-in"	Delete "S" to the reference Ex. "MVP230AS"								
Version Norme UL	Add "UL" to the reference Ex. "MVP230AS5UL"								
Version EMC	Add "M" to the reference. Ex. "MVP230AS5M"								
Version AISI 316	Replace "MVP230CUBX" in the reference by "MVP230CUBX6"								

## MODELS MVP500 / MVP630 (air flow 500m<sup>3</sup>/h / 630m<sup>3</sup>/h)



### REFERENCE - MVP500 / MVP630

REFERENCE	AIR FLOW	POWER SUPPLY	POWER	CURRENT CONSUMPTION	OVERCURRENT PROTECTION	ELECTRIC CONNECTION	NOISE	FILTER MAT (EUROVENT)	MECHINING MOUNTING
MVP500AS + MVP500CUBX	500m <sup>3</sup> /h	230V/50-60Hz	70W	0,40A	Thermal	3-pole terminal 2,5mm <sup>2</sup>	65dB	EU3	291x291 +1
MVP500BS + MVP500CUBX		115V/50-60Hz		0,80A					
MVP500CS + MVP500CUBX		400V/50-60Hz	60W	0,18A					
MVP630AS + MVP500CUBX	630m <sup>3</sup> /h	230V/50-60Hz	130W	0,55A	Thermal	4-pole terminal 1,5mm <sup>2</sup>	72dB		
MVP630BS + MVP500CUBX		115V/50-60Hz		1,10A					
Version flow direction "outdoor-in"	Delete "S" to the reference Ex. "MVP500AS"								
Version Norme UL	Add "UL" to the reference Ex. "MVP500AS5UL"								
Version EMC	Add "M" to the reference. Ex. "MVP500AS5M"								
Version AISI 316	Replace "MVP500CUBX" in the reference by "MVP500CUBX6"								

## OTHER ELEMENTS OF VENTILATION AND CLIMATE CONTROL

DELVALLE, EXPERTS IN VENTILATION AND CLIMATE CONTROL

*One solution for every need. Our engineers equipment will find the best climate control installation and get a better performance and greater energy and cost savings*



AIR  
CONDITIONERS



THERMOELECTRIC  
COOLERS

## TEMPERATURE CONTROL



FILTER FANS



RESISTANCE HEATERS

## CUSTOMIZED ENCLOSURE SOLUTIONS DELVALLE

*Delvalle has more than 50 years of experience using the latest technology to implement and obtain the most innovative products on offer to all our customers. Delvalle is an ideal partner, combining an advanced and wide range of products at very competitive prices.*

*The customized manufacture of all electrical enclosures and cabinets Delvallebox is carry out with the most advanced technical methods and with the precision and consciousness of a craftsman. This makes the difference from competitors and is the best way to gain our customers' trust.*

*In Delvallebox we bear in mind that customers perceive the quality very clearly. In every product (for instance, in the cabinets here presented) safety and useful solutions are what customers value most.*



STAINLESS STEEL  
INDUSTRIAL ENCLOSURES



OUTDOOR ELECTRICAL  
ENCLOSURES



GLOBAL ELECTRICAL  
SOLUTIONS FOR URBAN AREAS



GALVANIZED STEEL  
ELECTRICAL ENCLOSURES



# ATEX INDUSTRIAL ENCLOSURES

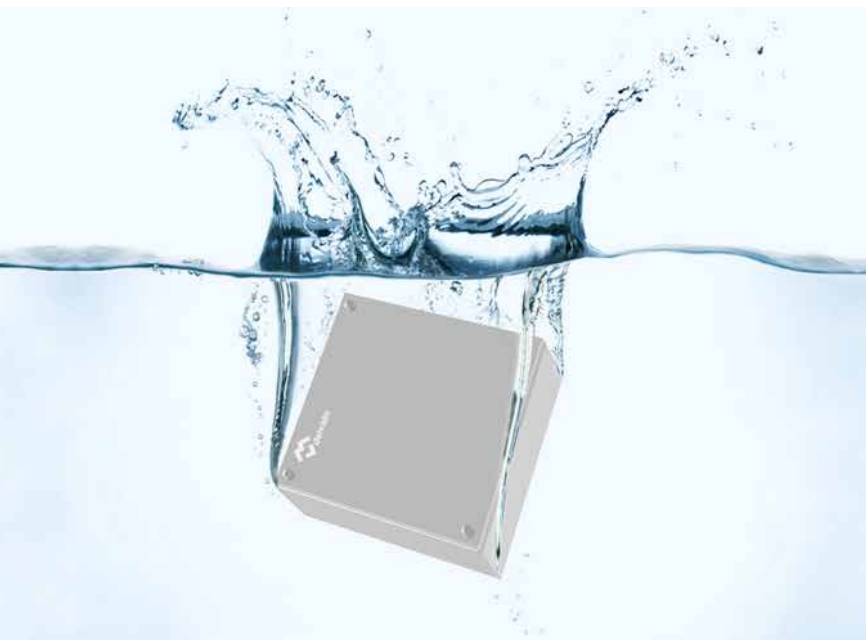


### SLOPED ROOF ENCLOSURES - HYGIENIC



**INDUSTRIAL ENCLOSURES IP66, IP67, IP68 AND IP69K**

Buy direct from manufacturer of custom made IP66, IP67, IP68 and IP69K heavy duty industrial and waterproof electrical enclosures AISI 304L and 316L made by standard IEC 60529. Delvalle has tested all sizes and dimensions of waterproof enclosures according to EN 60529:2018. All weather resistant enclosures are more than simply rainproof, they meet a minimum of Nema 4X and IP66, IP67, IP68 and IP69k requirements to ensure your electronics are protected. From Junction boxes to industrial enclosures, Delvalle weatherproof enclosures offer a wide range of sizes and styles to keep your project waterproof.

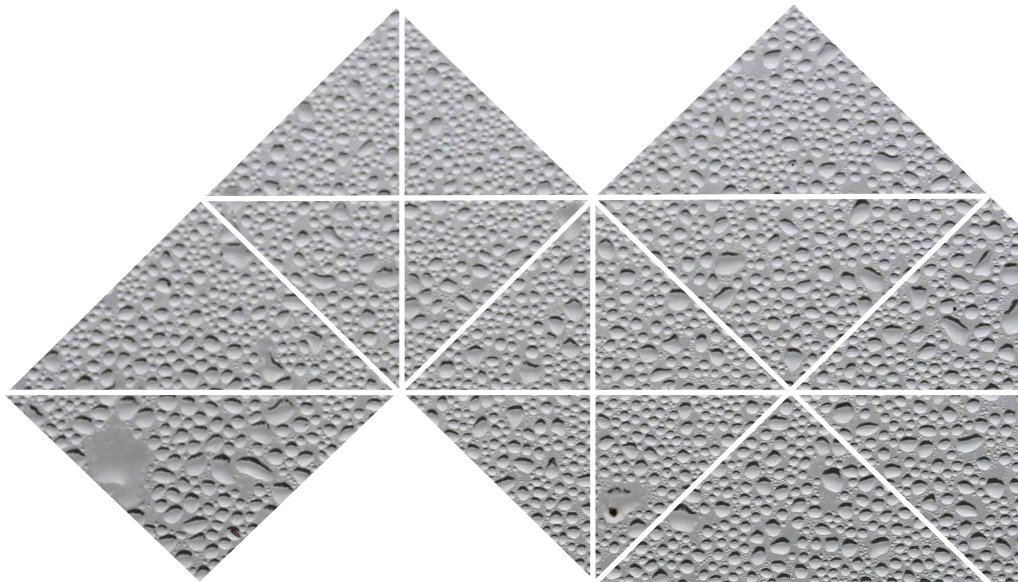


## CLIMATE CONTROL COOLING FOR ENCLOSURES



### CABLE GLANDS FOR ELECTRICAL ENCLOSURES





Paso del Prao, 6. 01320 Oyón (Álava). Spain  
P. +34 945 601 381  
comercial@delvalle.es | [www.delvallebox.com](http://www.delvallebox.com)  
**Contact us, we will be available at any time**

