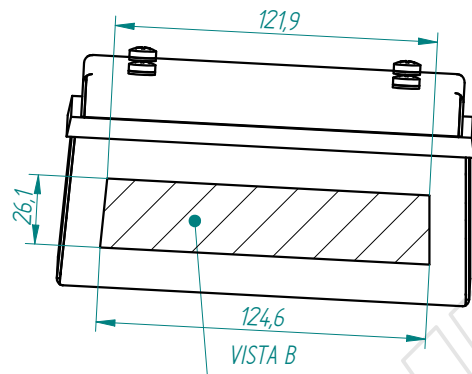
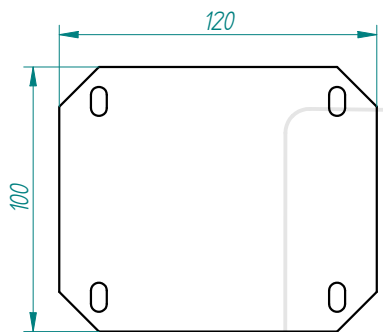
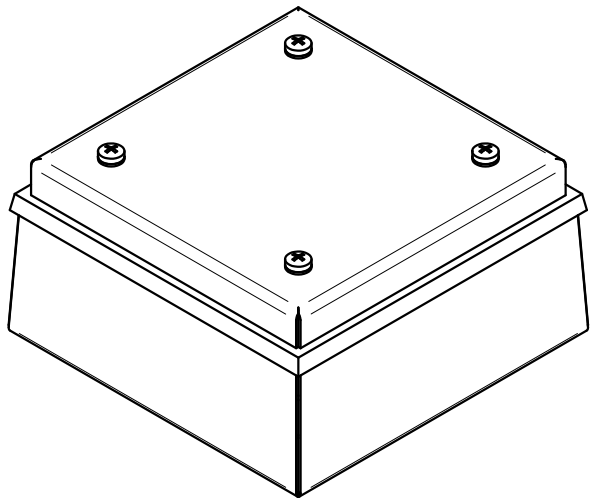
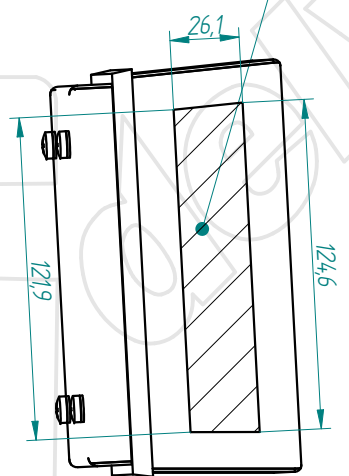
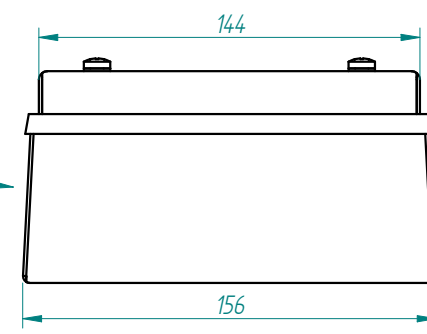


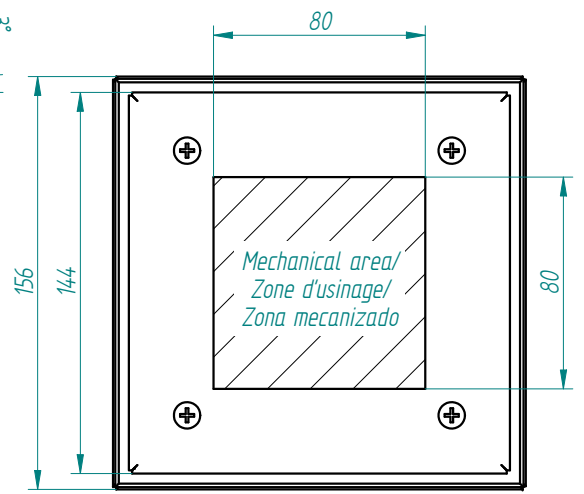
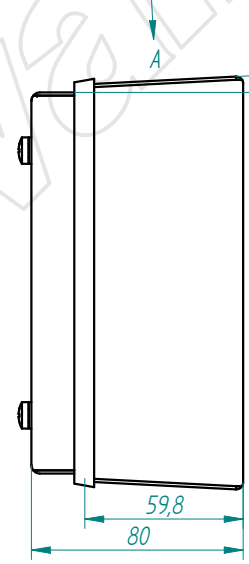
This present document and its contents are confidential, and are the exclusive intellectual and / or industrial property of DELVALLE. In addition to any technology, design, invention, work, process, know-how, calculation, manual, method, solution, idea, improvement, drawing, diagram, modification, contribution and, in short, any associated information or documentation involving industrial or intellectual property developed or supplied by DELVALLE on the occasion of the quote, order execution or incorporated into the design or operation of the supply. The recipient may not use such property in his favour or in that of a third party for purposes other than the fulfilment of the order and the operation and maintenance of the supply, without the prior written consent of DELVALLE. It is strictly forbidden to totally or partially reproduce this document and to misuse it and / or to show it to third parties. The infringing parties shall be required to pay the corresponding compensation for damages, and any other legal or criminal responsibilities. The infringement may give rise to.



Mechanical area/
Zone d'usage/
Zona mecanizado



VISTA A



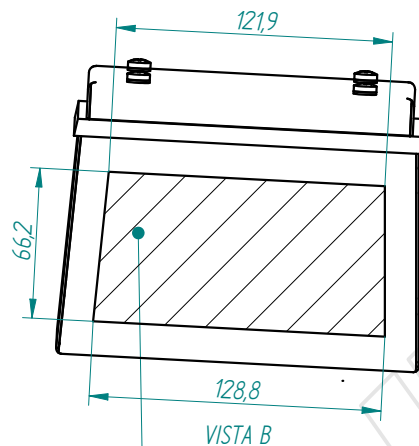
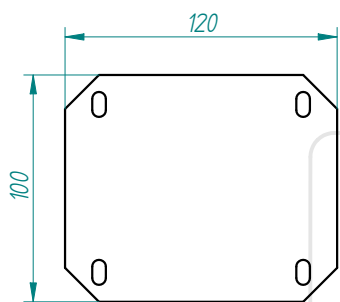
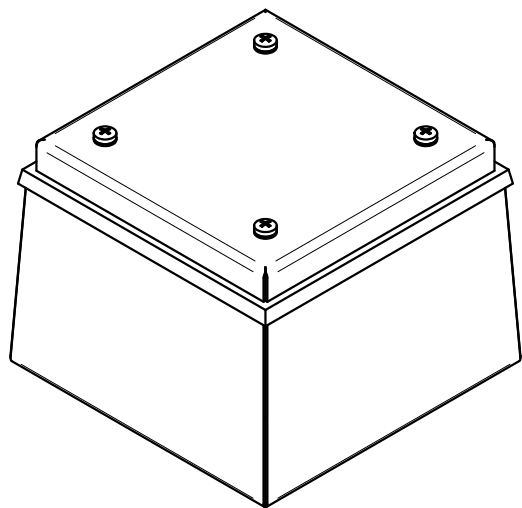
Mechanical area/
Zone d'usage/
Zona mecanizado



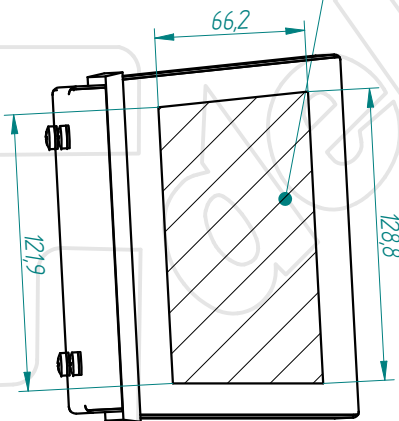
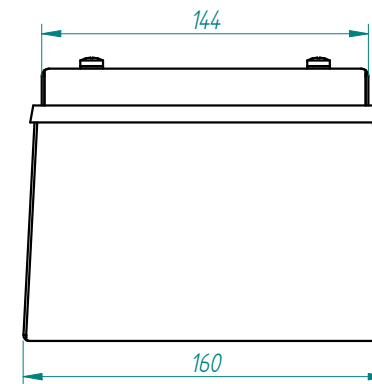
TOLERANCIA GENERAL DE MECANIZACION según DIN 7168	Creación del documento	17/06/2015	D.MTNEZ	A	Referencia: - plegado: - acabado:	DIBUJADO:	17/06/2015	FIRMA:	D.Martínez	DESIGNACIÓN: geo hygienic-150x150x80-estandar	Nº PLANO:
	MODIFICACIONES	FECHA:	FIRMA:	REVISIÓN:		APROBADO:	17/06/2015	D.Martínez			



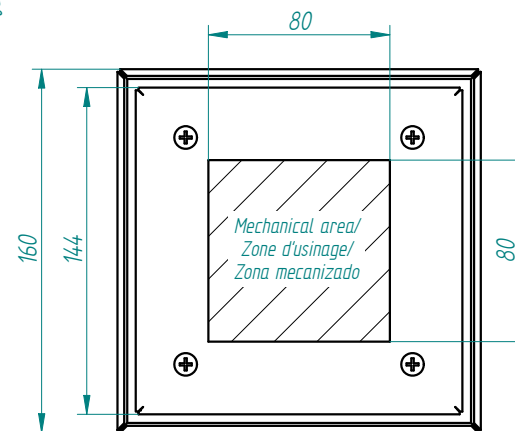
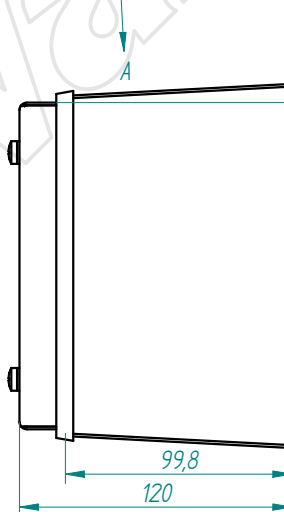
This present document and its contents are confidential, and are the exclusive intellectual and / or industrial property of DELVALLE. In addition to any technology, design, invention, work, process, know-how, calculation, manual, method, solution, idea, improvement, drawing, diagram, modification, contribution and, in short, any associated information or documentation involving industrial or intellectual property developed or supplied by DELVALLE on the occasion of the quote, order execution or incorporated into the design or operation of the supply. The recipient may not use such property in his favour or in that of a third party for purposes other than the fulfilment of the order and the operation and maintenance of the supply, without the prior written consent of DELVALLE. It is strictly forbidden to totally or partially reproduce this document and to misuse it and / or to show it to third parties. The infringing parties shall be required to pay the corresponding compensation for damages, and any other legal or criminal responsibilities, the infringement may give rise to.



Mechanical area/
Zone d'usinage/
Zona mecanizado



VISTA A



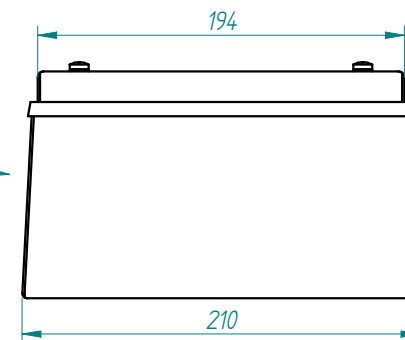
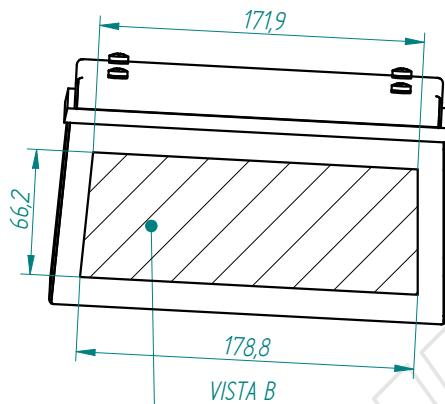
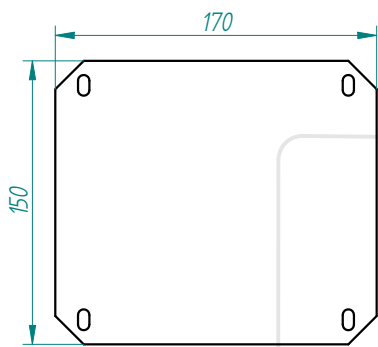
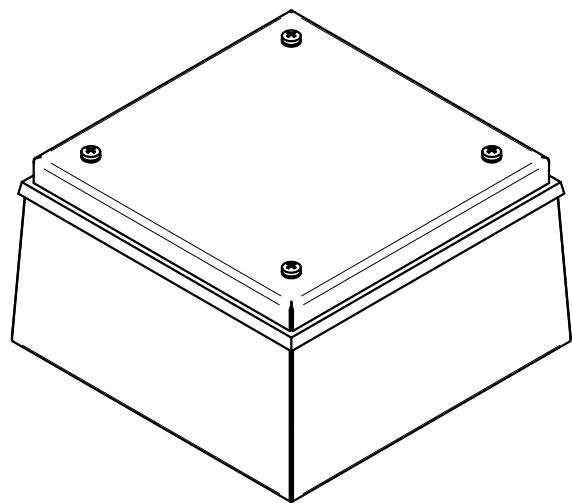
Mechanical area/
Zone d'usinage/
Zona mecanizado



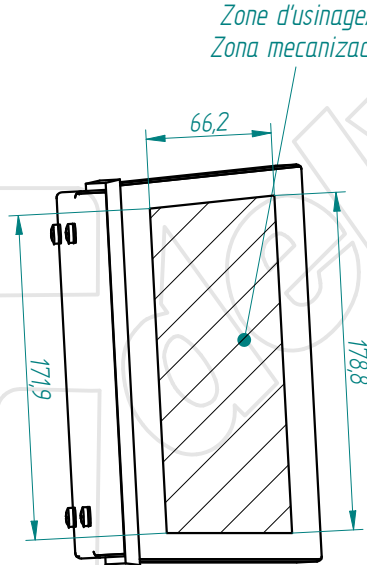
TOLERANCIA GENERAL DE MECANIZACION según DIN 7168					Referencia:		FECHA:	FIRMA:
						DIBUJADO:	18/06/2015	D.Martínez
						APROBADO:	18/06/2015	D.Martínez
	Creación del documento	18/06/2015	D.MTNEZ	A		DESIGNACIÓN:	Nº PLANO:	
	MODIFICACIONES	FECHA:	FIRMA:	REVISIÓN:	- plegado: - acabado:	geo hygienic-150x150x120-estandar		



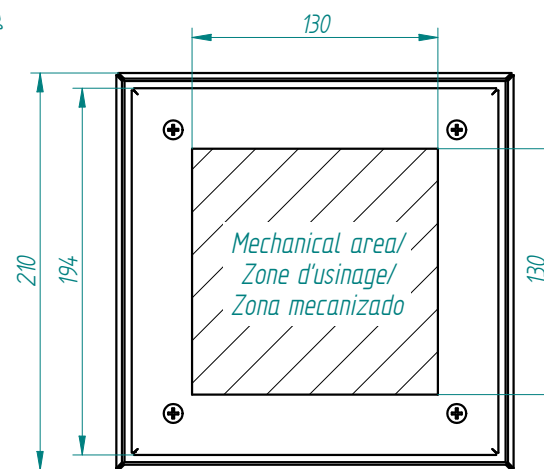
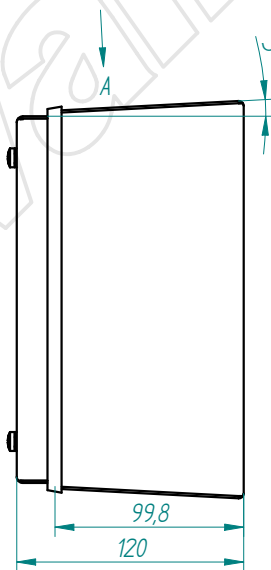
This present document and its contents are confidential, and are the exclusive intellectual and / or industrial property of DELVALLE. In addition to any technology, design, invention, work, process, know-how, calculation, manual, method, solution, idea, improvement, drawing, diagram, modification, contribution and, in short, any associated information or documentation involving industrial or intellectual property developed or supplied by DELVALLE on the occasion of the quote, order execution or incorporated into the design or operation of the supply. The recipient may not use such property in his favour or in that of a third party for purposes other than the fulfilment of the order and the operation and maintenance of the supply, without the prior written consent of DELVALLE. It is strictly forbidden to totally or partially reproduce this document and to misuse it and / or to show it to third parties. The infringing parties shall be required to pay the corresponding compensation for damages, and any other legal or criminal responsibilities, the infringement may give rise to.



Mechanical area/
Zone d'usinage/
Zona mecanizado



VISTA A



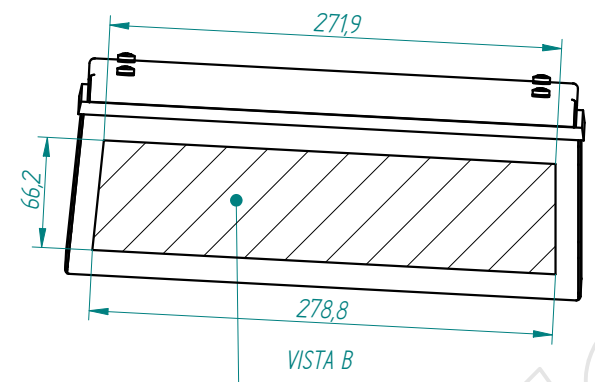
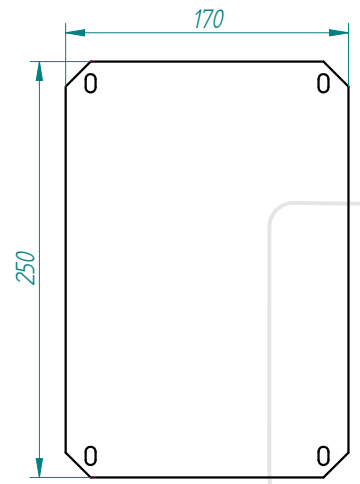
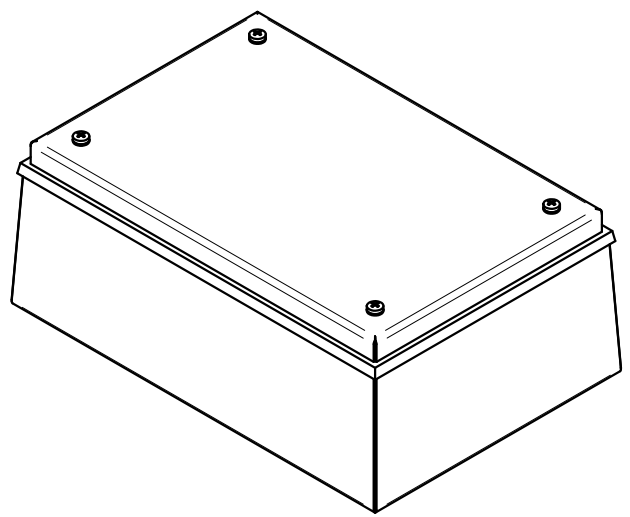
Mechanical area/
Zone d'usinage/
Zona mecanizado



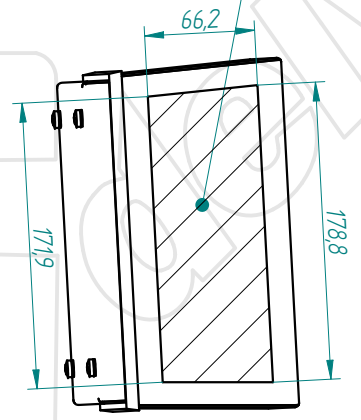
TOLERANCIA GENERAL DE MECANIZACION segun DIN 7168	Creación del documento	17/06/2015	D.MTNEZ	A	Referencia: - plegado: acabado:	DIBUJADO:	17/06/2015	FIRMA:	D.Martinez	DESIGNACIÓN: geo hygienic-200x200x120-estandar	N° PLANO:
	MODIFICACIONES	FECHA:	FIRMA:	REVISIÓN:		APROBADO:	17/06/2015	D.Martinez			



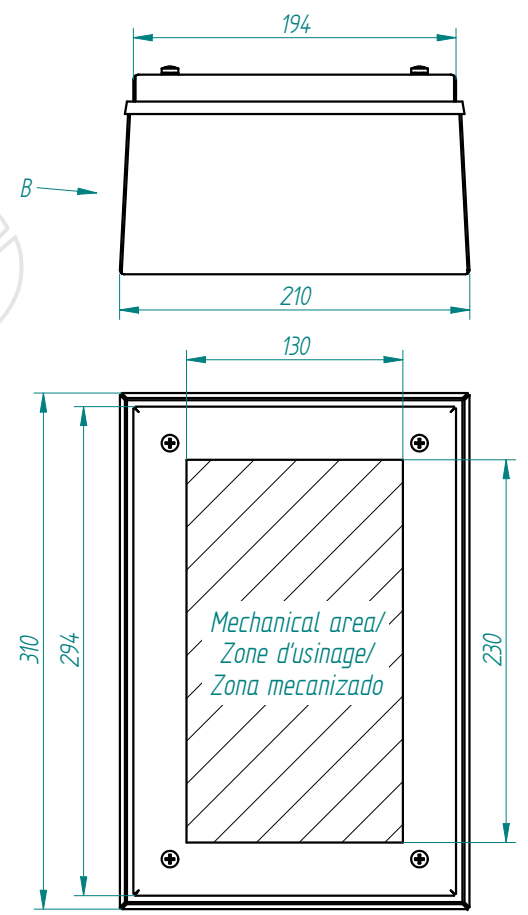
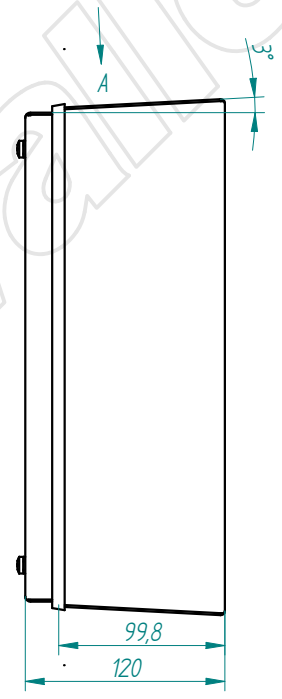
This present document and its contents are confidential, and are the exclusive intellectual and / or industrial property of DEVALLE. In addition to any technology, design, invention, work, process, know-how, calculation, manual, method, solution, idea, improvement, drawing, diagram, modification, contribution and, in short, any associated information or documentation involving industrial or intellectual property developed or supplied by DEVALLE on the occasion of the quote, order execution or incorporated into the design or operation of the supply. The recipient may not use such property in his favour or in that of a third party for purposes other than the fulfilment of the order and the operation and maintenance of the supply, without the prior written consent of DEVALLE. It is strictly forbidden to totally or partially reproduce this document and to misuse it and / or to show it to third parties. The infringing parties shall be required to pay the corresponding compensation for damages and any other legal or criminal responsibility. The infringement may give rise to.



Mechanical area/
Zone d'usage/
Zona mecanizado




VISTA A

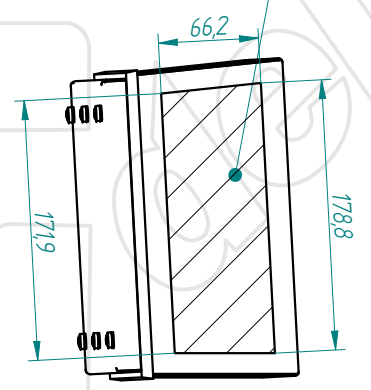
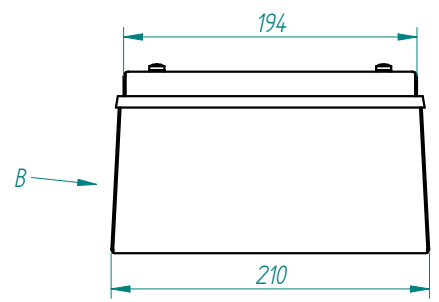
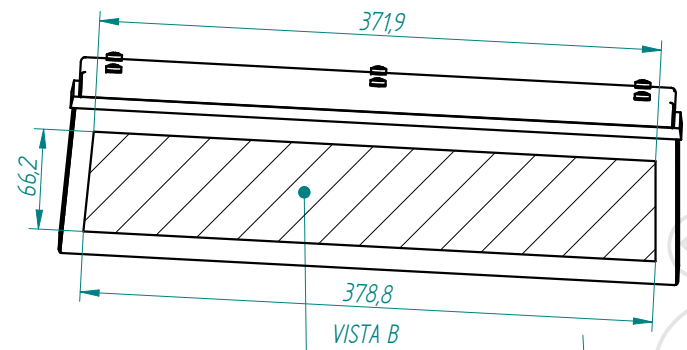
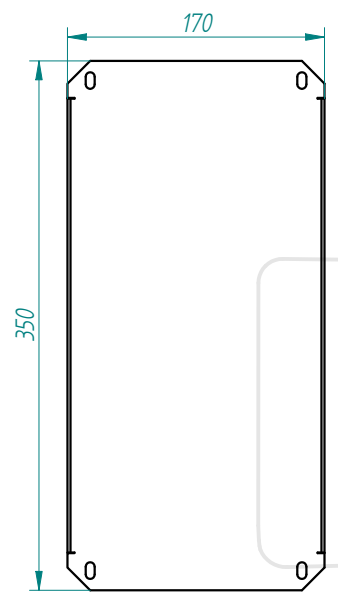
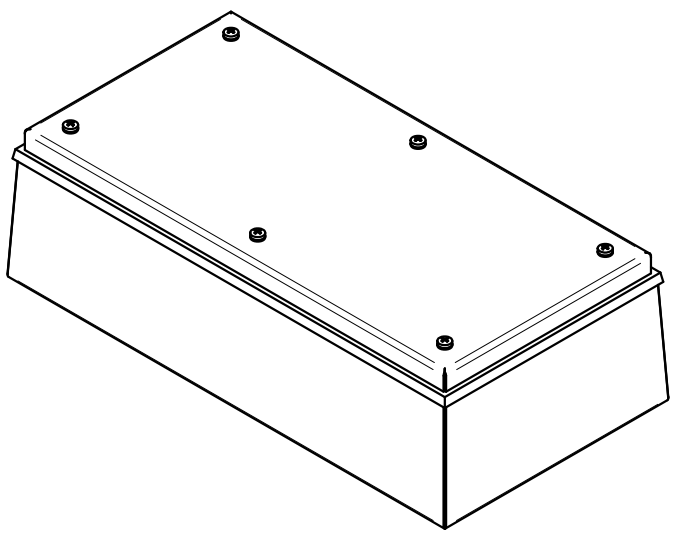


Mechanical area/
Zone d'usage/
Zona mecanizado

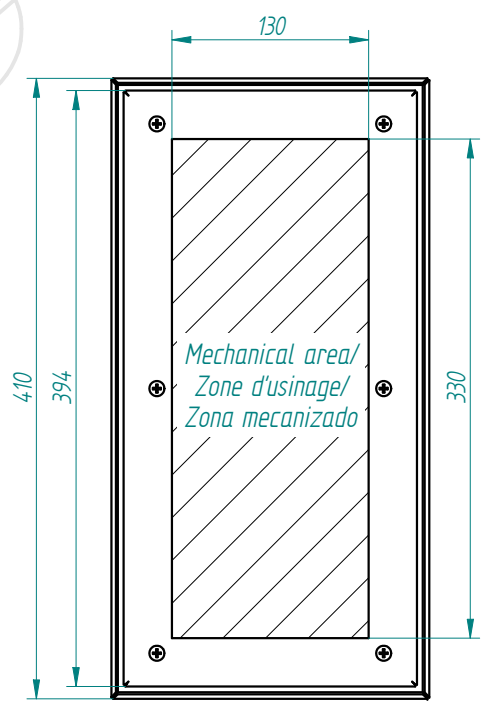
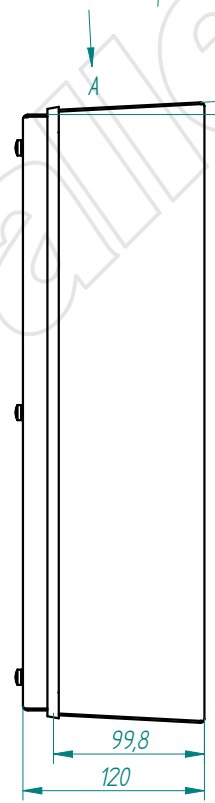


TOLERANCIA GENERAL DE MECANIZACION según DIN 7168	Creación del documento	18/06/2015	D.MTNEZ	A	Referencia: - plegado: - acabado:	DIBUJADO:	18/06/2015	FIRMA: D.Martínez	 Nº PLANO:
	MODIFICACIONES	FECHA:	FIRMA:	REVISIÓN:		APROBADO:	18/06/2015	D.Martínez	
DESIGNACIÓN:						geo hygienic-300x200x120-estandar			

This present document and its contents are confidential, and are the exclusive intellectual and / or industrial property of DEVALLE. In addition to any technology, design, invention, work, process, know-how, calculation, manual, method, solution, idea, improvement, drawing, diagram, modification, contribution and, in short, any associated information or documentation involving industrial or intellectual property developed or supplied by DEVALLE on the occasion of the quote, order execution or incorporated into the design or operation of the supply. The recipient may not use such property in his favour or in that of a third party for purposes other than the fulfilment of the order and the operation and maintenance of the supply, without the prior written consent of DEVALLE. It is strictly forbidden to totally or partially reproduce this document and to misuse it or to show it to third parties. The infringing parties shall be required to pay the corresponding compensation for damages, and any other legal or criminal responsibility is the infringer may give rise to.



Mechanical area/
Zone d'usinage/
Zona mecanizado



Mechanical area/
Zone d'usinage/
Zona mecanizado

VISTA A

Referencia:

DIBUJADO:	FECHA:	FIRMA:
APROBADO:	17/06/2015	D.Martinez
	17/06/2015	D.Martinez



TOLERANCIA GENERAL
DE MECANIZACION
segun DIN 7168

Creación del documento	17/06/2015	D.MTNEZ	A
MODIFICACIONES	FECHA:	FIRMA:	REVISIÓN:

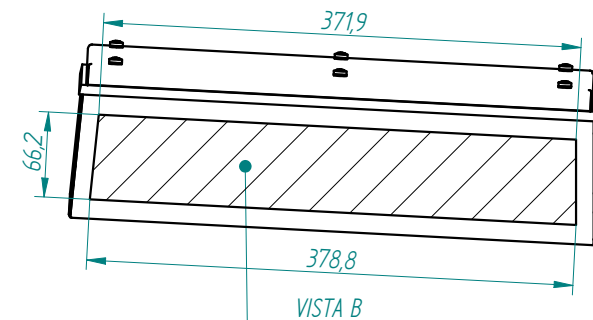
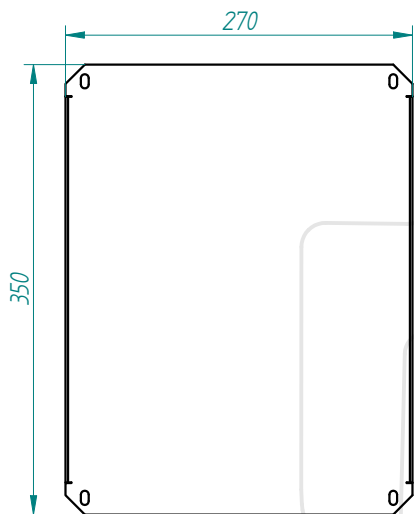
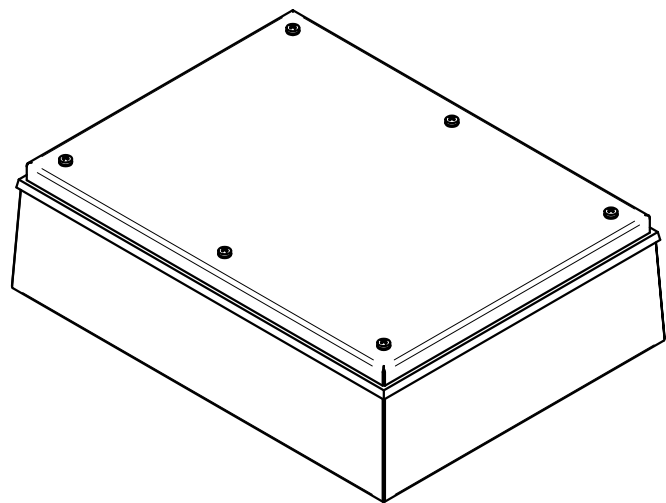
-
plegado:
acabado:

DESIGNACIÓN:
geo hygienic-400x200x120-estandar

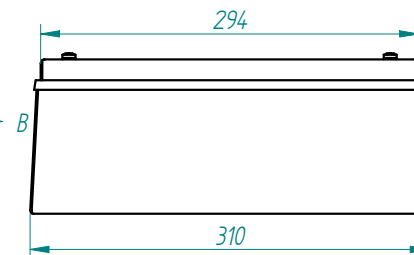
Nº PLANO:



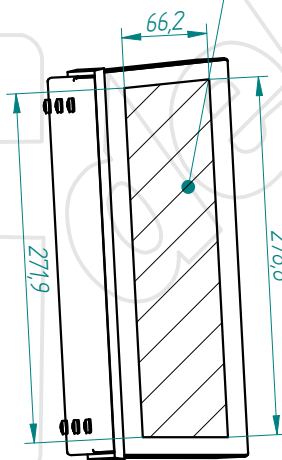
This present document and its contents are confidential, and are the exclusive intellectual and / or industrial property of DELVALLE. In addition to any technology, design, invention, work, process, know-how, calculation, manual, method, solution, idea, improvement, drawing, diagram, modification, contribution and, in short, any associated information or documentation involving industrial or intellectual property developed or supplied by DELVALLE on the occasion of the quote, order execution or incorporated into the design or operation of the supply. The recipient may not use such property in his favour or in that of a third party for purposes other than the fulfilment of the order and the operation and maintenance of the supply, without the prior written consent of DELVALLE. It is strictly forbidden to totally or partially reproduce this document and to misuse it and / or to show it to third parties. The infringing parties shall be required to pay the corresponding compensation for damages, and any other legal or criminal responsibility is the infringement may give rise to.



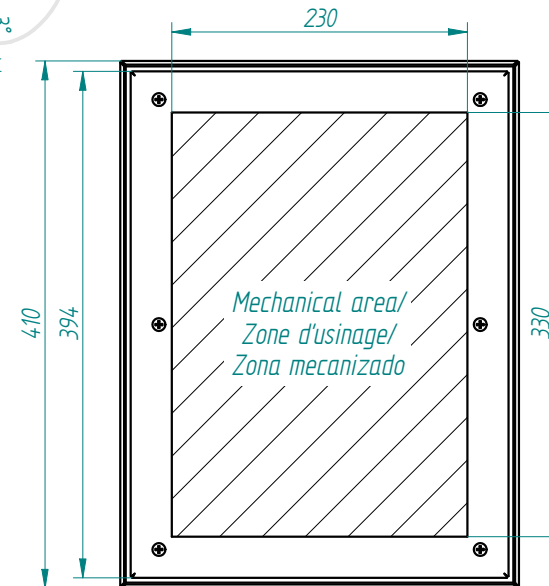
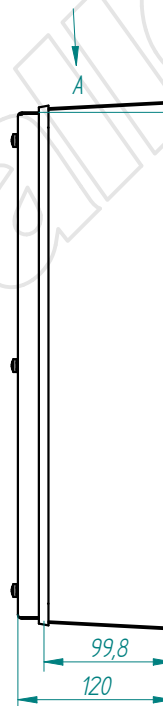
VISTA B



Mechanical area/
Zone d'usinage/
Zona mecanizado




VISTA A



Mechanical area/
Zone d'usinage/
Zona mecanizado



TOLERANCIA GENERAL DE MECANIZACION segun DIN 7168					Referencia:		FECHA: 17/06/2015	FIRMA: D.Martinez	 Nº PLANO:
	Creación del documento	17/06/2015	D.MTNEZ	A	- plegado: acabado.	DESIGNACIÓN: geo hygienic-400x300x120-estandar	APROBADO: 17/06/2015	D.Martinez	
	MODIFICACIONES	FECHA:	FIRMA:	REVISIÓN:					