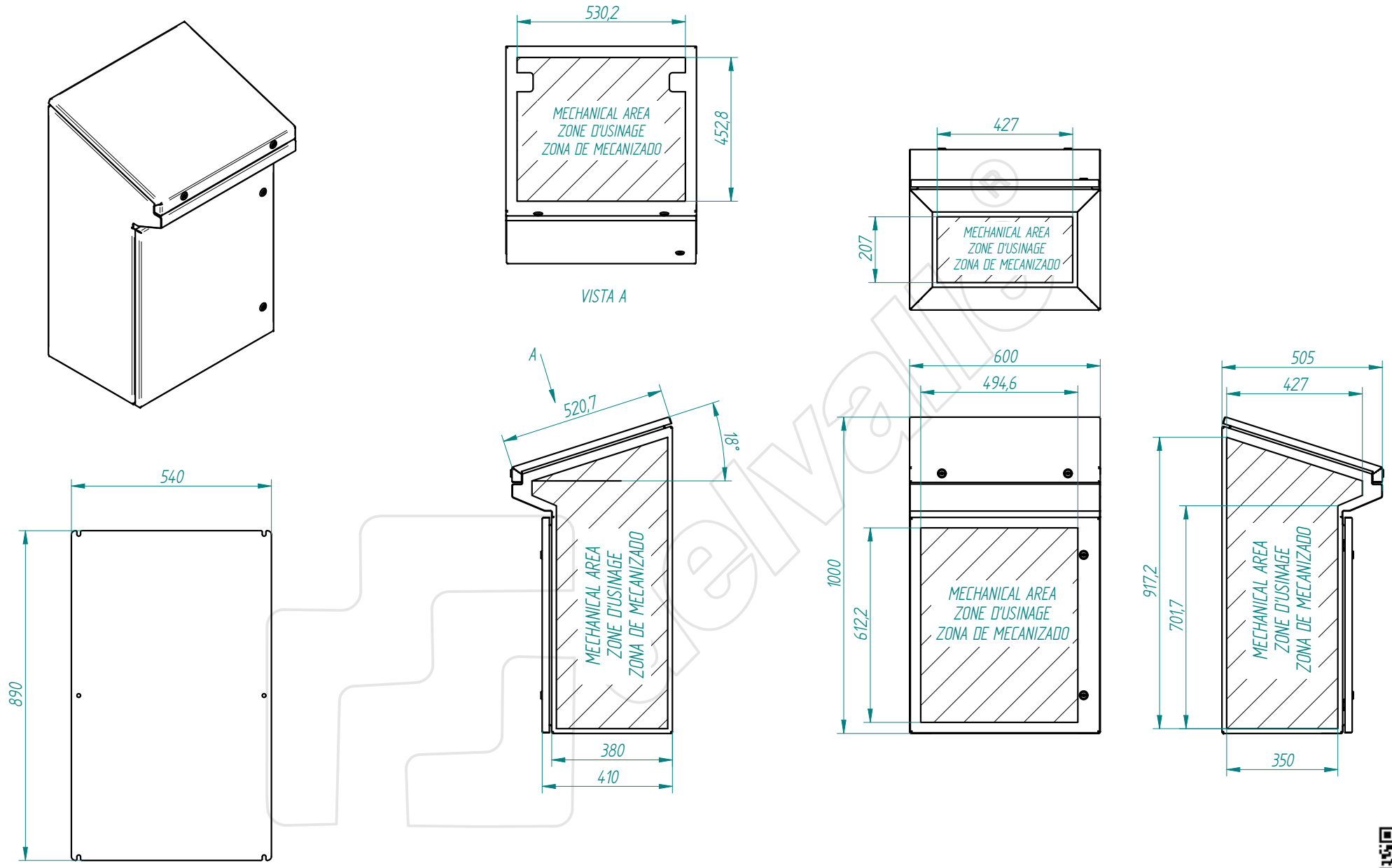



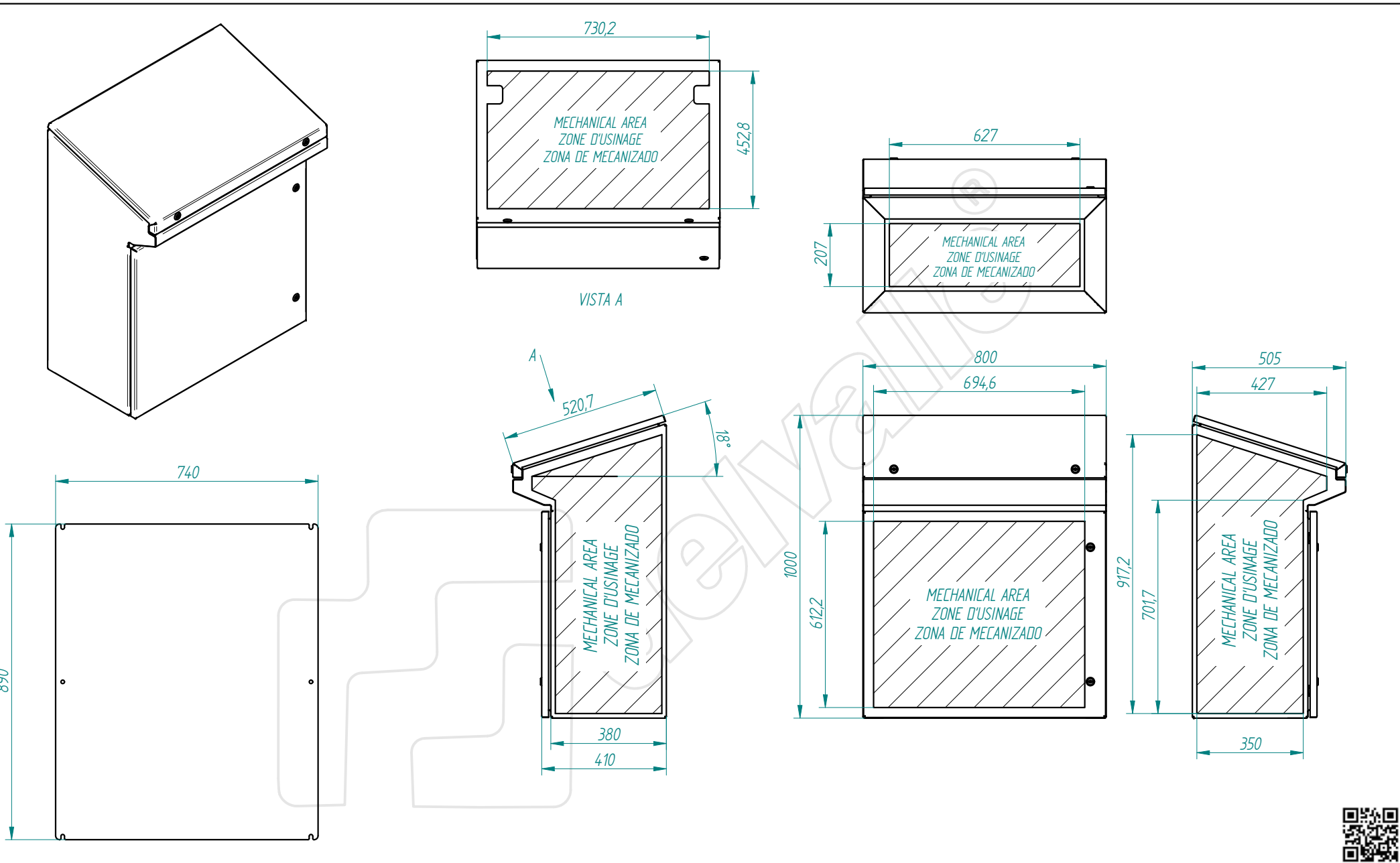
This present document and its contents are confidential, and are the exclusive intellectual and / or industrial property of DELVALLE. In addition to any technology, design, invention, work, process, know-how, calculation, manual, method, solution, idea, improvement, drawing, diagram, modification, contribution and, in short, any associated information or documentation involving industrial or intellectual property developed or supplied by DELVALLE on the occasion of the quote, order execution or incorporated into the design or operation of the supply. The recipient may not use such property in his favour or in that of a third party for purposes other than the fulfilment of the order and the operation and maintenance of the supply, without the prior written consent of DELVALLE. It is strictly forbidden to totally or partially reproduce this document and to misuse it and / or to show it to third parties. The infringing parties shall be required to pay the corresponding compensation for damages, and any other legal or criminal responsibility if the infringement may give rise to.




GENERAL TOLERANCE MACHINING according to DIN 7168					Reference:  - Bend: Finish:	DRAWING:	DATE:	SIGN:	
						APPROVED:	24/04/2015	D.Martinez	
	<i>Document creation</i>	24/04/2015	D.MTNEZ	A		APPOINTMENT:			PLAN NUM.:
MODIFICATIONS						riviera-1000x600x380-estandar			



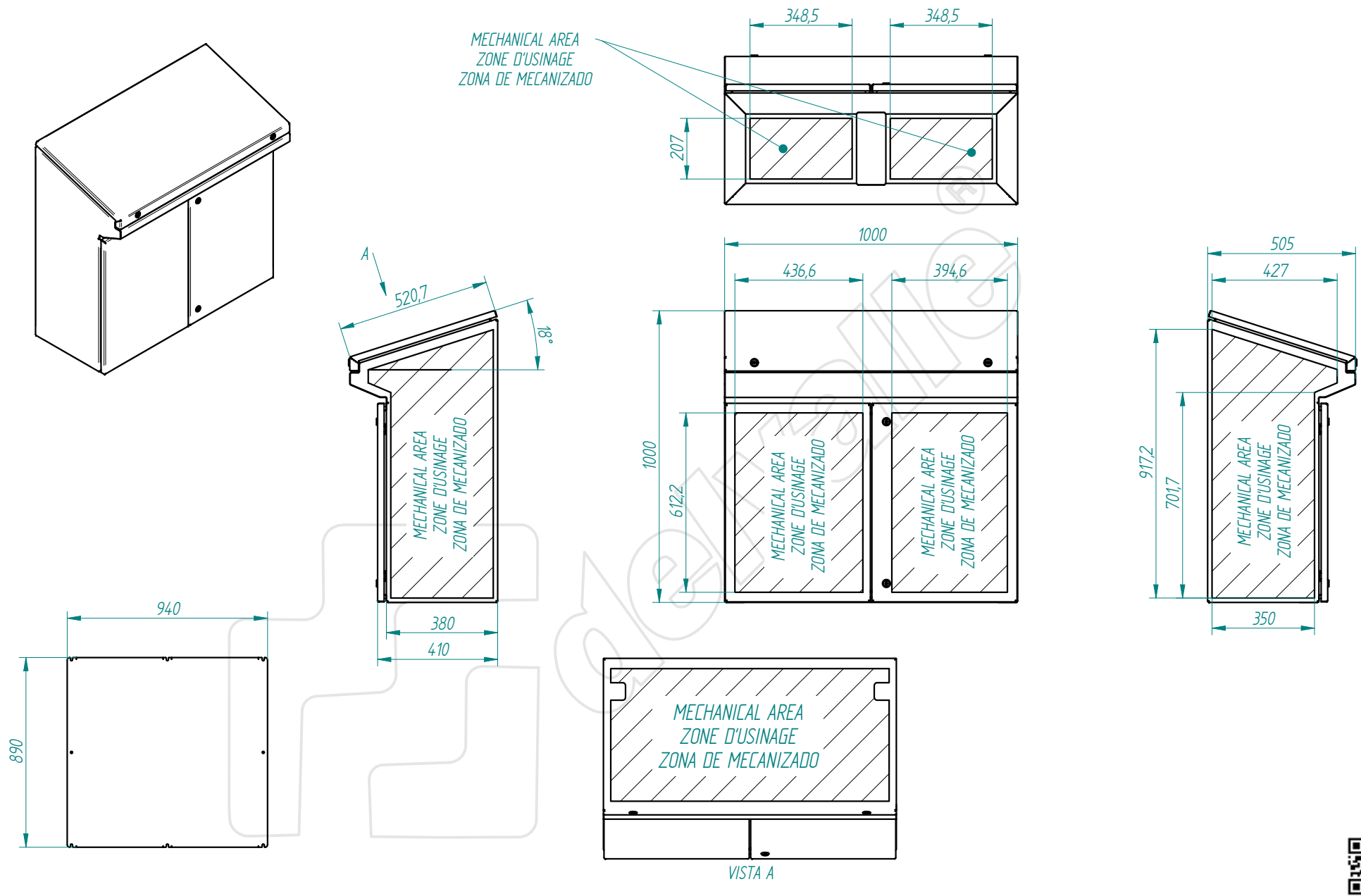
This present document and its contents are confidential, and are the exclusive intellectual and / or industrial property of DELVALLE. In addition to any technology, design, invention, work, process, know-how, calculation, manual, method, solution, idea, improvement, drawing, diagram, modification, contribution and, in short, any associated information or documentation involving industrial or intellectual property developed or supplied by DELVALLE on the occasion of the quote, order execution or incorporated into the design or operation of the supply. The recipient may not use such property in his favour or in that of a third party for purposes other than the fulfilment of the order and the operation and maintenance of the supply, without the prior written consent of DELVALLE. It is strictly forbidden to totally or partially reproduce this document and to misuse it and / or to show it to third parties. The infringing parties shall be required to pay the corresponding compensation for damages, and any other legal or criminal, responsible for the infringement may sue for it.




GENERAL TOLERANCE MACHINING according to DIN 7168					Reference:  - Bend: Finish:	DRAWING:	DATE:	SIGN:	 PLAN NUM.:
	<i>Document creation</i> MODIFICATIONS	23/04/2015	D.MTNEZ	A		23/04/2015 23/04/2015	D.Martinez D.Martinez	APPOINTMENT: <b>riviera-1000x800x380-estandar</b>	

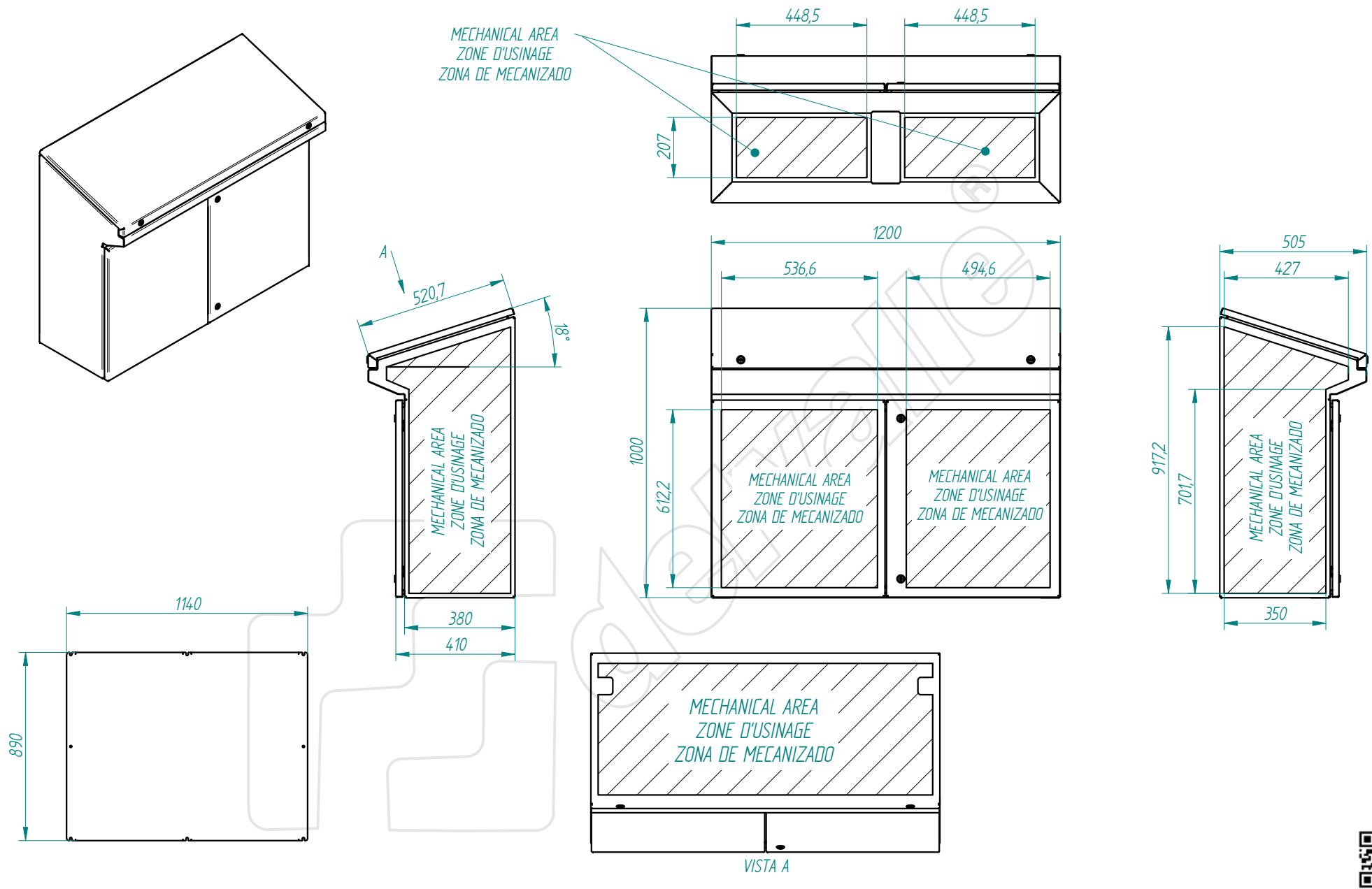



This present document and its contents are confidential, and are the exclusive intellectual and / or industrial property of DELVALLE. In addition to any technology, design, invention, work, process, know-how, calculation, manual, method, solution, idea, improvement, drawing, diagram, modification, contribution and, in short, any associated information or documentation involving industrial or intellectual property developed or supplied by DELVALLE on the occasion of the quote, order execution or incorporated into the design or operation of the supply. The recipient may not use such property in his favour or in that of a third party for purposes other than the fulfilment of the order and the operation and maintenance of the supply, without the prior written consent of DELVALLE. It is strictly forbidden to totally or partially reproduce this document and to misuse it and / or to show it to third parties. The infringing parties shall be required to pay the corresponding compensation for damages, and any other legal or criminal responsibility is the infringement may give rise to.



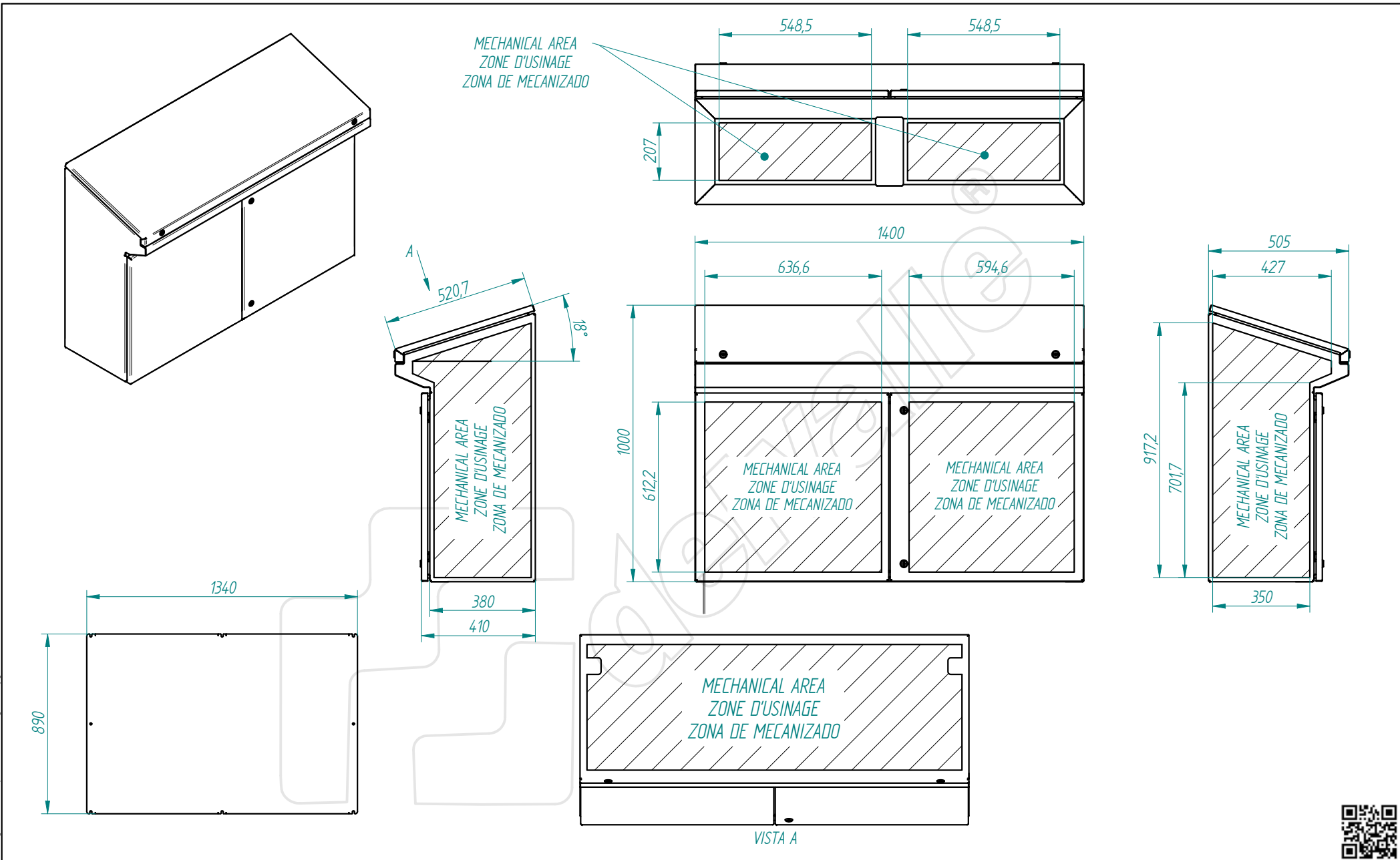
GENERAL TOLERANCE MACHINING according to DIN 7168					Reference: - Bend: Finish:	DRAWING:	DATE:	SIGN:	
						APPROVED:	23/04/2015	D.Martinez	
	<i>Document creation</i>	23/04/2015	D.MTNEZ	A		APPOINTMENT:			PLAN NUM.:
	MODIFICATIONS					riviera 2p-1000x1000x380-estandar			

This present document and its contents are confidential, and are the exclusive intellectual and / or industrial property of DELVALLE. In addition to any technology, design, invention, work, process, know-how, calculation, manual, method, solution, idea, improvement, drawing, diagram, modification, contribution and, in short, any associated information or documentation involving industrial or intellectual property developed or supplied by DELVALLE on the occasion of the quote, order execution or incorporated into the design or operation of the supply. The recipient may not use such property in his favour or in that of a third party for purposes other than the fulfilment of the order and the operation and maintenance of the supply, without the prior written consent of DELVALLE. It is strictly forbidden to totally or partially reproduce this document and to misuse it and / or to show it to third parties. The infringing parties shall be required to pay the corresponding compensation for damages, and any other legal or criminal responsibility. The infringement may give rise to.



GENERAL TOLERANCE MACHINING according to DIN 7168					Reference:  - Bend: Finish:	DRAWING:	DATE: 24/04/2015	SIGN: D.Martinez	 PLAN NUM.:
						APPROVED:	24/04/2015	D.Martinez	
	APPOINTMENT: <b>riviera 2p-1000x1200x380-estandar</b>								
Document creation	24/04/2015	D.MTNEZ	A						
MODIFICATIONS	DATE:	SIGN:	REVISION:						

This present document and its contents are confidential, and are the exclusive intellectual and / or industrial property of DELVALLE. In addition to any technology, design, invention, work, process, know-how, calculation, manual, method, solution, idea, improvement, drawing, diagram, modification, contribution and, in short, any associated information or documentation involving industrial or intellectual property developed or supplied by DELVALLE on the occasion of the quote, order execution or incorporated into the design or operation of the supply. The recipient may not use such property in his favour or in that of a third party for purposes other than the fulfilment of the order and the operation and maintenance of the supply, without the prior written consent of DELVALLE. It is strictly forbidden to totally or partially reproduce this document and to misuse it in any way. The infringing parties shall be required to pay the corresponding compensation for damages, and any other legal or criminal responsibility is the infringement may give rise to.



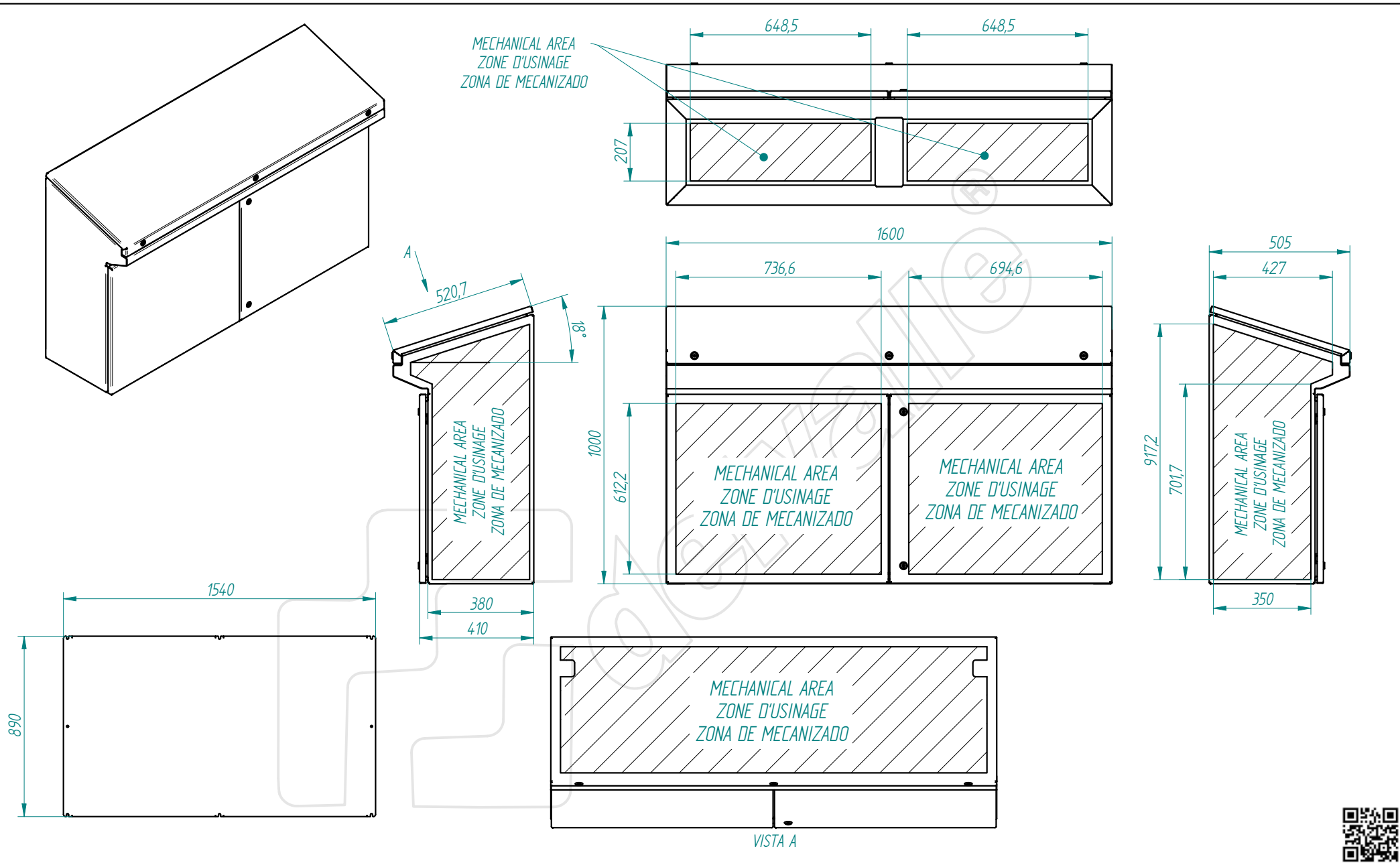
VISTA A




GENERAL TOLERANCE MACHINING according to DIN 7168					Reference: - Bend: Finish:	DRAWING:	DATE:	SIGN:
						APPROVED:	23/04/2015	D.Martinez
	<i>Document creation</i>	23/04/2015	D.MTNEZ	A		APPOINTMENT:		PLAN NUM.:
	MODIFICATIONS	DATE:	SIGN:	REVISION:		riviera 2p-1000x1400x380-estandar		



This present document and its contents are confidential, and are the exclusive intellectual and / or industrial property of DELVALLE. In addition to any technology, design, invention, work, process, know-how, calculation, manual, method, solution, idea, improvement, drawing, diagram, modification, contribution and, in short, any associated information or documentation involving industrial or intellectual property developed or supplied by DELVALLE on the occasion of the quote, order execution or incorporated into the design or operation of the supply. The recipient may not use such property in his favour or in that of a third party for purposes other than the fulfilment of the order and the operation and maintenance of the supply, without the prior written consent of DELVALLE. It is strictly forbidden to totally or partially reproduce this document and to misuse it and / or to show it to third parties. The infringing parties shall be required to pay the corresponding compensation for damages, and any other legal or criminal responsibility is the infringement may give rise to.



GENERAL TOLERANCE MACHINING according to DIN 7168					Reference:  - Bend: Finish:	DRAWING:	DATE:	SIGN:	
						APPROVED:	23/04/2015	D.Martinez	
	<i>Document creation</i>	23/04/2015	D.MTNEZ	A		APPOINTMENT:			PLAN NUM.:
	MODIFICATIONS					riviera 2p-1000x1600x380-estandar			