



Enclosures & Cabinets for Special Requirements
comercial@delvalle.es | www.delvallebox.com

STAINLESS STEEL CONSOLE RIVIERA SERIES IP66



STAINLESS
ANTICORROSIVE
GUARANTEE



MECHANICAL PARTS
GUARANTEE





WE PUT AT YOUR DISPOSAL

We offer over **45 years** providing solutions to demanding customers who require very specific characteristics and behaviour according to the sector and their needs.

WHEREVER YOU GO

We are committed to working closely with our customers, providing them with **exceptional service** and offering an advanced and extensive range of products with very competitive prices.

HIGH STANDARD OF QUALITY AND SERVICES

We only use materials provided by companies who offer the very **highest quality**, suitable and certified products. Our success is due to top quality assurance: ISO 9001, SGS, UL, TÜV, ISO 14000 and Ohsas 18001.

CUSTOMIZE TOTALLY YOUR ENCLOSURE

Our production systems can give custom-made solutions **on demand**. Every colour from RAL chart is available to be personalized. A variety of protection standards thanks to our own painting facilities.

CONTACT US

Confidentiality, reliability & quality

www.delvallebox.com
comercial@delvalle.es
 +34 945 601 381

ALSO ONLINE

Please contact our technical sales department

A team of professionals with high experience and ability to solve all your queries



STAINLESS STEEL CONSOLE RIVIERA SERIES IP66



Examples



Strength and Durability

Riviera Console Series, elegant, functional consoles manufactured in finely polished AISI 304L, EN14306 stainless steel, easily accessed, with a design which allows for IP55 protection in two doors and IP66 for one door maximum resistance of IK10.

Top door with shock absorbers which make opening easier, with dismantlable bottom and hidden hinges throughout. It comes with a galvanized mounting plate. Its drainage channels ensure liquids don't come into contact with the polyurethane joint sealings. Front door opening to 130° making easy access.

➔ [FOR MORE INFORMATION CLICK HERE](#)



APPLICATIONS

Officially approved for food, chemical, pharmaceutical, transformer and telecommunication industries for use both inside and outside, due to its advantages of high resistance to chemical agents and its durability.



NORMATIVE

- From IP55 to IP66 (W) Norm IEC EN 62208 - EN 60529.
- DIN EN ISO 14159 Machine safety – hygiene requirements pertaining to the design of machinery.
- Machinery Directive 2006/42/EC. Food machinery and cosmetic or pharmaceutical production.
- EHEDG Guideline Hygienic Design doc.13 machinery for open processes.
- DIN EN 1672-2-2005 for food industry machinery.
- Maximum IK10 resistance Norm IEC 62208 and EN 50102.
- Our electrical panels are built to CE standards 2014/35/UE.
- Comply with rules on materials intended to come into contact with food EC 1935/2004.
- RoHs compliant.
- Maximum voltage 1000V.
- Temperature resistant: -40°C +100°C (short time +160°C).
- Option silicone gasket: from -60°C to +180°C (short time up to +350°C).

ADVANTAGES

- Spacious assembly area giving great accessibility.
- Great external strength.
- Door opens to 130°.
- Standard quarter-turn double bit fasteners.
- Perfect sealing thanks to gaskets used in the joints.
- Great versatility, enables its use in almost any field.
- Delvalle supplies any measurements required including custom built holes and cut outs both for the door and enclosure.
- Wide variety of accessories
- Top door with shock absorbers
- Front door opens to 130°
- Total accessibility
- Stainless steel AISI 304L or AISI 316L

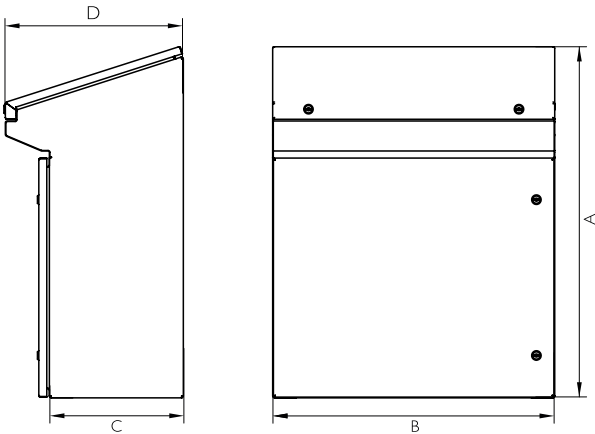
OPTIONS

- Custom made based on your needs.
- Up to IP69K -DIN 40050-9.
- Plinths/base.
- All types of ventilation and temperature control.
- Cable entry cover in front door.
- Metal leg or wheels.
- Transparent polycarbonate or tempered glass door (no IP69K).
- Manufactured in stainless steel AISI 316L EN 14404.
- Mounting plate insulator (bakelite) or stainless steel.
- EMC version according to 2014/30/UE of electromagnetic compatibility.
- Option painted galvanized steel finish in RAL 7035 or another color.

STAINLESS STEEL CONSOLE RIVIERA SERIES IP66

PLAN

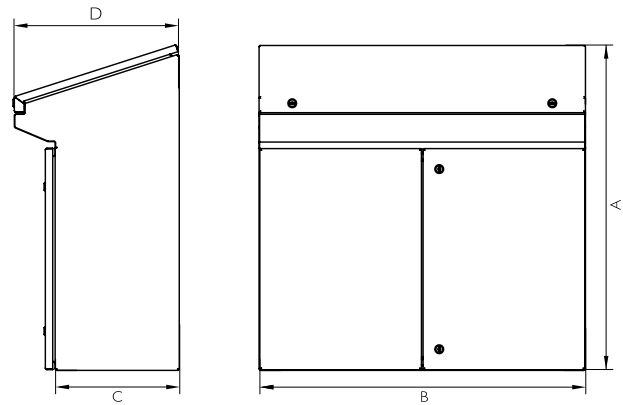
CLICK HERE TO DOWNLOAD THE FILES CAD - PLANS - CERTIFICATES



Console Riviera 2 doors



Console Riviera 3 doors



REFERENCES

REFERENCES	DIMENSIONS (mm)				
CONSOLE	N° DOORS	HEIGHT - A -	WIDTH - B -	DEPTH - C -	DEPTH - D -
MVPA106038	2	1000	600	380	500
MVPA108038	2		800		
MVPA101038	3		1000		
MVPA101238	3		1200		
MVPA101438	3		1400		
MVPA101638	3		1600		
Version IP69K		Add "/69" to the reference. Ex: "MVPA106038/69"			

REFERENCES	DIMENSIONS (mm)		
SOCLE	HEIGHT - A -	WIDTH - B -	DEPTH - C -
MVZA106038	100	600	380
MVZA206038	200		
MVZA108038	100	800	
MVZA208038	200		
MVZA101038	100	1000	
MVZA201038	200		
MVZA101238	100	1200	
MVZA201238	200		
MVZA101438	100	1400	
MVZA201438	200		
MVZA101638	100	1600	
MVZA201638	200		



STAINLESS ANTICORROSIVE GUARANTEE



MECHANICAL PARTS GUARANTEE

DELVALLE OFFERS OTHER SOLUTIONS

www.delvallebox.com

comercial@delvalle.es

+34 945 601 381

ALSO ONLINE

→ FOR MORE INFORMATION CLICK HERE

STAINLESS STEEL
INDUSTRIAL ENCLOSURES



OUTDOOR HEAVY DUTY
ELECTRICAL ENCLOSURES



OUTDOOR TELECOM 19
RACKS & CABINETS



GALVANIZED STEEL
ELECTRICAL ENCLOSURES



HYGIENIC DESIGN ENCLOSURES



ALUMINIUM ELECTRICAL
ENCLOSURES



DELVALLE OFFERS OTHER SOLUTIONS

→ FOR MORE INFORMATION CLICK HERE

www.delvallebox.com

comercial@delvalle.es

+34 945 601 381

ALSO ONLINE

WATERPROOF SHEET STEEL ELECTRICAL ENCLOSURES



CLIMATE CONTROL COOLING FOR ELECTRICAL ENCLOSURES



NEMA ELECTRICAL ENCLOSURE TYPE 1-3R-4X-12



MODULAR DISTRIBUTION ENCLOSURES



EMC ELECTRICAL ENCLOSURES SOLUTIONS



CABLE GLANDS & ENTRY SEALS FOR CABINETS





Enclosures & Cabinets for Special Requirements



Paso del Prao, 6. 01320 Oyón (Álava). Spain
P. +34 945 601 381
www.delvallebox.com - comercial@delvalle.es
Contact us, we will be available at any time

