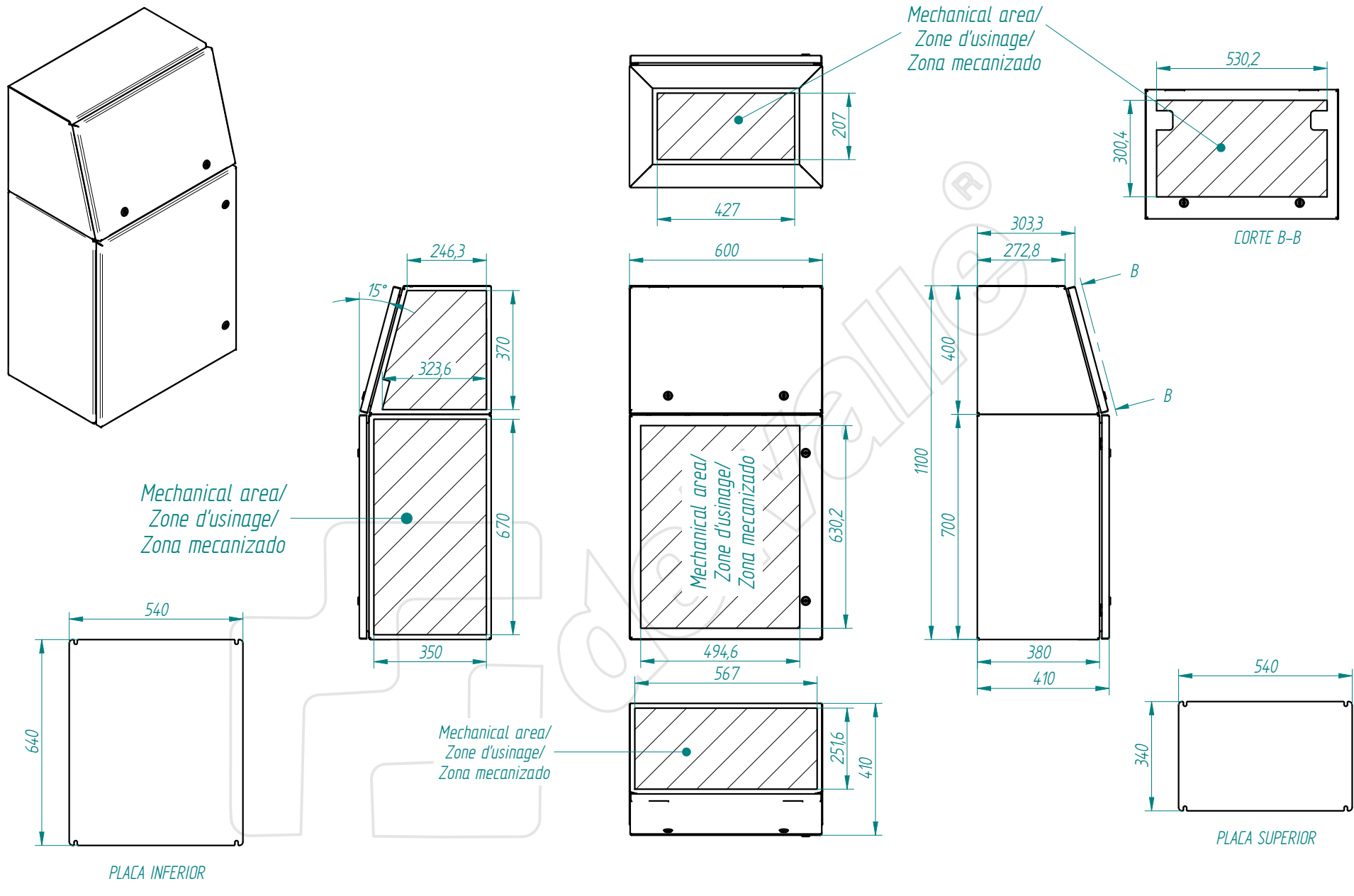


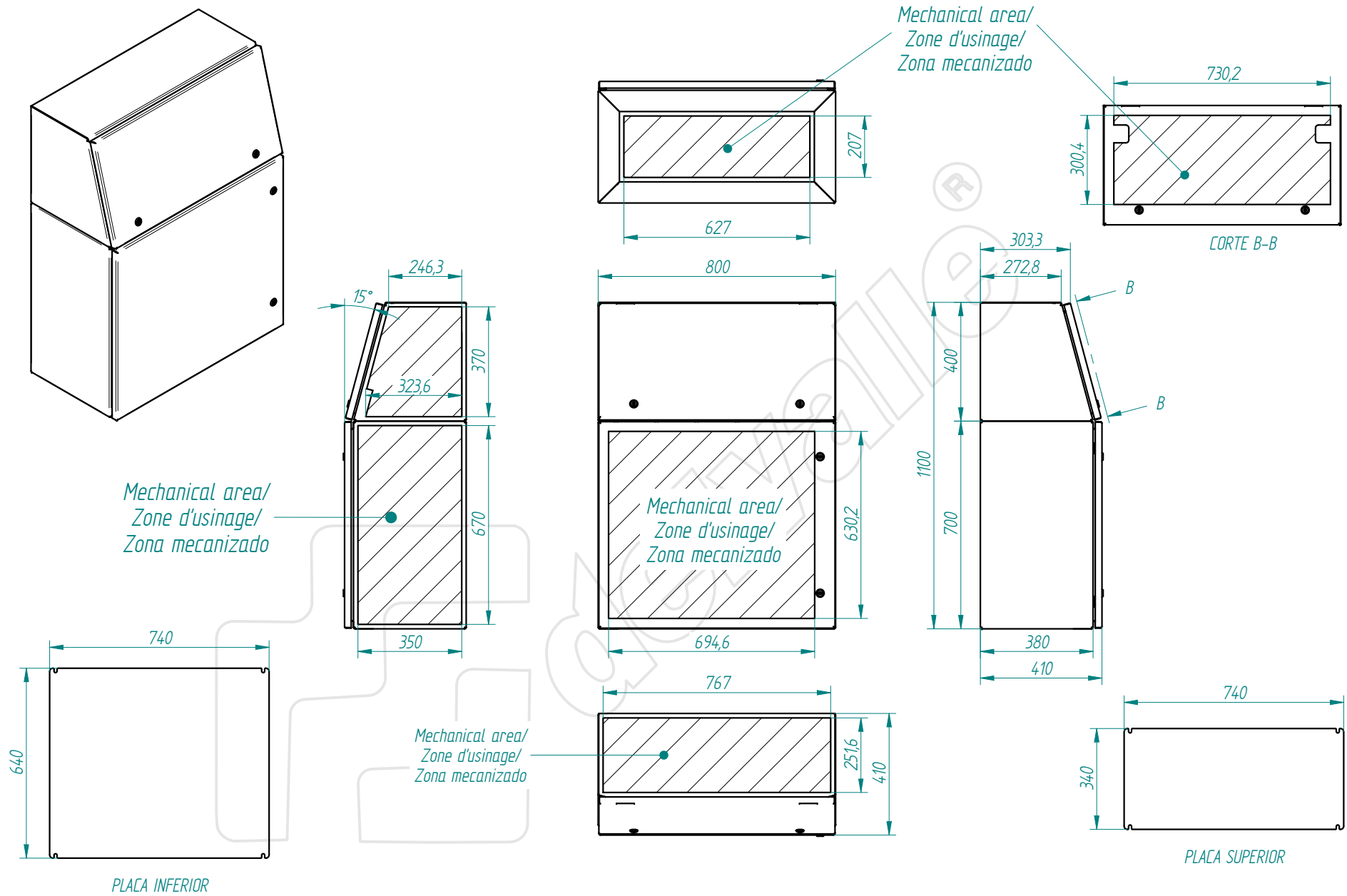
This present document and its contents are confidential, and are the exclusive intellectual and / or industrial property of DEVALLE. In addition to any technology, design, invention, work, process, know-how, calculation, manual, solution, work, improvement, drawing, modification, contribution and, in short, any associated information or documentation involving industrial or intellectual property developed or supplied by DEVALLE on the occasion of the quote, order execution or incorporated into the design or operation of the supply. The recipient may not use such property in his favour or in that of a third party for purposes other than the fulfilment of the order and the operation and maintenance of the supply, without the prior written consent of DEVALLE. It is strictly forbidden to totally or partially reproduce this document and to misuse it and / or to show it to third parties. The infringing parties shall be required to pay the corresponding compensation for damages, and any other legal or criminal responsibilities. The infringement may give rise to.



TOLERANCIA GENERAL DE MECANIZACION según DIN 7168					Referencia:			
						DIBUJADO: 22/05/2015	FECHA: 22/05/2015	
Creación del documento		22/05/2015	D.MTNEZ	A	-	DESIGNACIÓN:		Nº PLANO:
MODIFICACIONES		FECHA:	FIRMA:	REVISIÓN:	plegado: acabado:	atrium 2 modulos-1414x600x410-estandar		



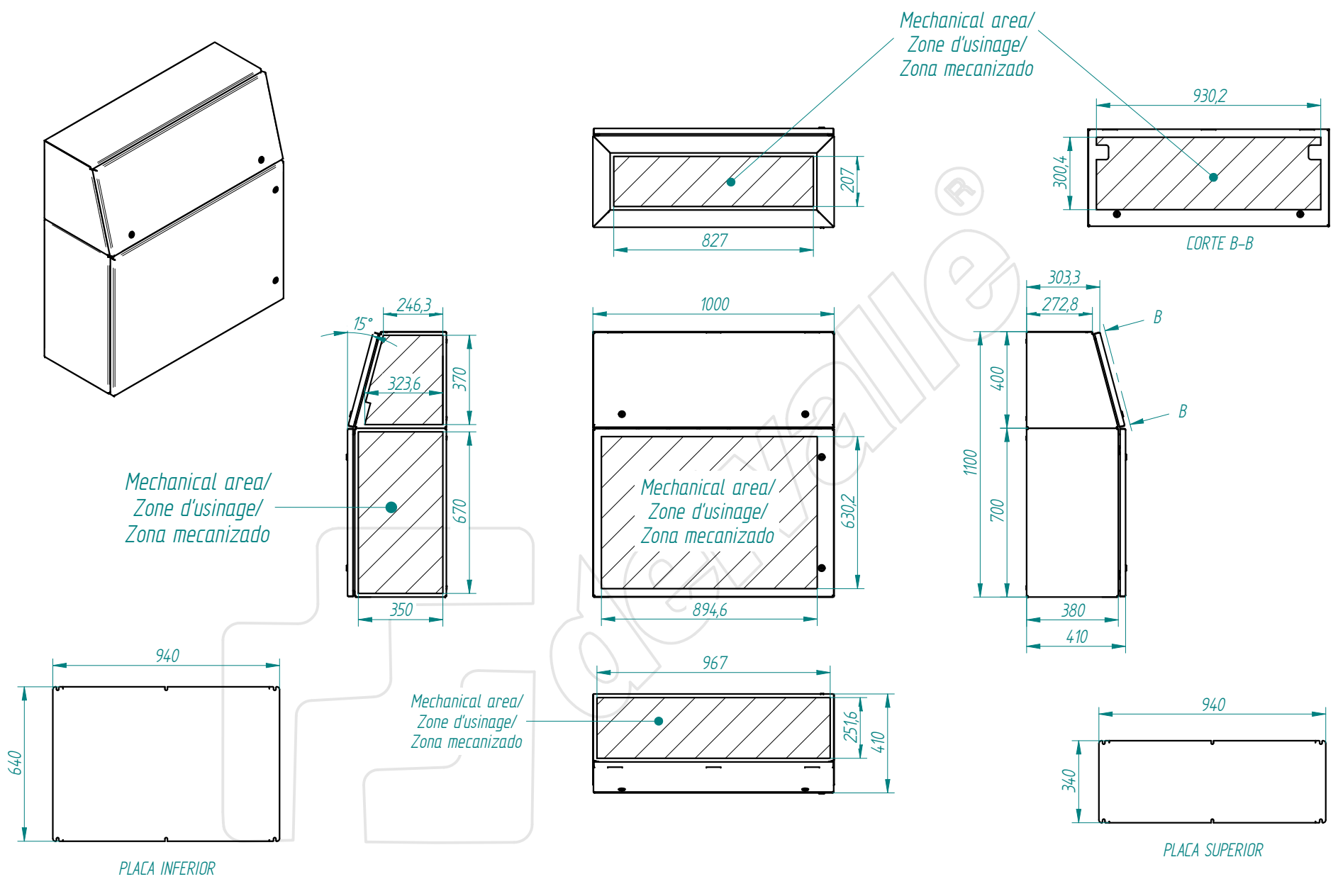
This present document and its contents are confidential, and are the exclusive intellectual and / or industrial property of DELVALLE. In addition to any technology, design, invention, work, process, know-how, calculation, manual, method, solution, idea, improvement, drawing, diagram, modification, contribution and, in short, any associated information or documentation involving industrial or intellectual property developed or supplied by DELVALLE on the occasion of the quote, order execution or incorporated into the design or operation of the supply. The recipient may not use such property in his favour or in that of a third party for purposes other than the fulfilment of the order and the operation and maintenance of the supply, without the prior written consent of DELVALLE. It is strictly forbidden to totally or partially reproduce this document and to misuse it and / or to show it to third parties. The infringing parties shall be required to pay the corresponding compensation for damages, and any other legal or criminal responsibilities, the infringement may give rise to.




TOLERANCIA GENERAL DE MECANIZACION según DIN 7168					Referencia:			
						DIBUJADO: 22/05/2015	FECHA: 22/05/2015	
Creación del documento		22/05/2015	D.MTNEZ	A	-	DESIGNACIÓN:		Nº PLANO:
MODIFICACIONES		FECHA:	FIRMA:	REVISIÓN:	plegado: acabado:	atrium 2 modulos-1414x800x410-estandar		



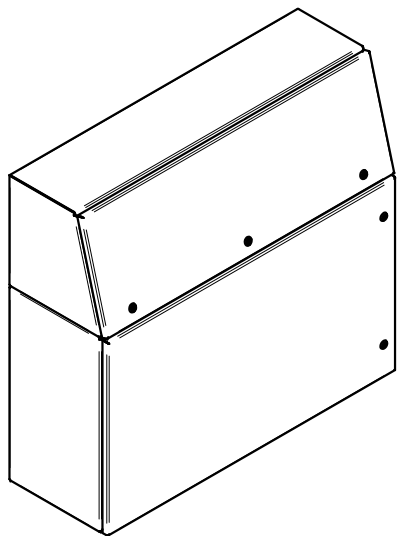
This present document and its contents are confidential, and are the exclusive intellectual and / or industrial property of DEVALLE. In addition to any technology, design, invention, work, process, know-how, calculation, manual, method, solution, idea, improvement, drawing, modification, contribution and, in short, any associated information or documentation involving industrial or intellectual property developed or supplied by DEVALLE on the occasion of the quote, order execution or incorporated into the design or operation of the supply. The recipient may not use such property in his favour or in that of a third party for purposes other than the fulfilment of the order and the operation and maintenance of the supply, without the prior written consent of DEVALLE. It is strictly forbidden to totally or partially reproduce this document and to misuse it and / or to show it to third parties. The infringing parties shall be required to pay the corresponding compensation for damages, and any other legal or criminal responsibilities, the infringement may give rise to.



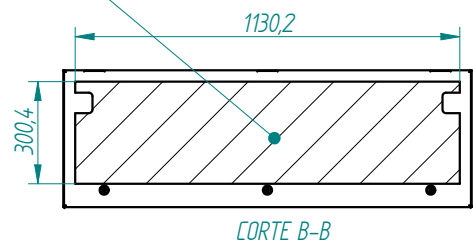
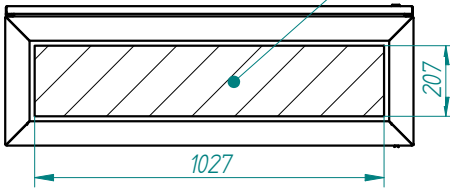
TOLERANCIA GENERAL DE MECANIZACION según DIN 7168					Referencia:			 Nº PLANO:
						DIBUJADO: 22/05/2015	FIRMA: D.Martínez	
						APROBADO: 22/05/2015	FIRMA: D.Martínez	
Creación del documento		22/05/2015	D.MTNEZ	A	-	DESIGNACIÓN:		atrium 2 modulos-1414x1000x410-estandar
MODIFICACIONES		FECHA:	FIRMA:	REVISIÓN:	plegado: acabado:			



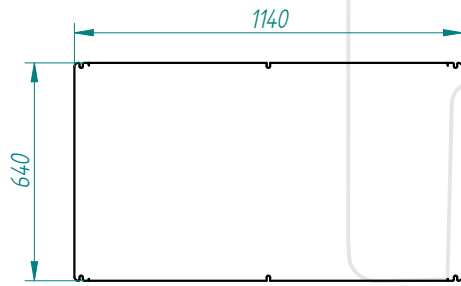
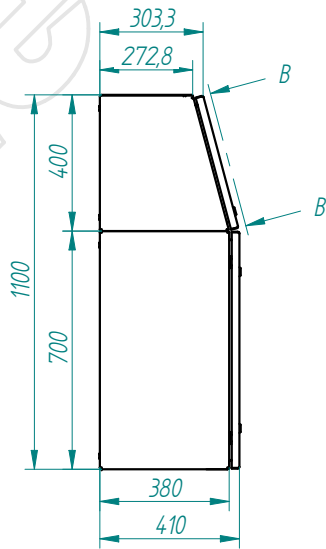
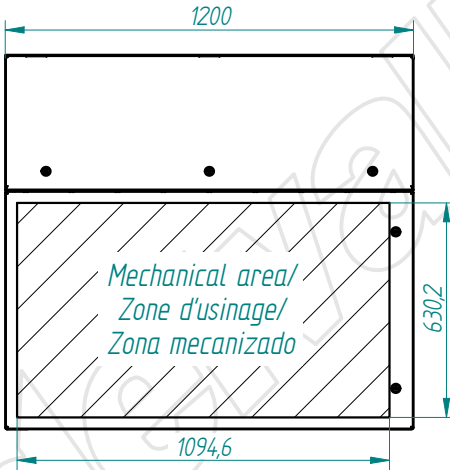
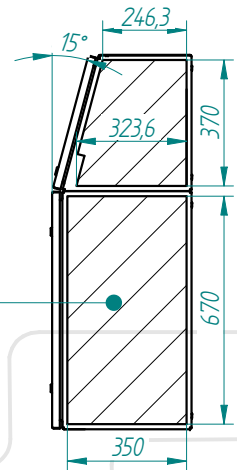
This present document and its contents are confidential, and are the exclusive intellectual and / or industrial property of DEVALLE. In addition to any technology, design, invention, work, process, know-how, calculation, manual, method, solution, idea, improvement, drawing, diagram, modification, contribution and, in short, any associated information or documentation involving industrial or intellectual property developed or supplied by DEVALLE on the occasion of the quote, order execution or incorporated into the design or operation of the supply. The recipient may not use such property in his favour or in that of a third party for purposes other than the fulfilment of the order and the operation and maintenance of the supply, without the prior written consent of DEVALLE. It is strictly forbidden to totally or partially reproduce this document and to misuse it and / or to show it to third parties. The infringing parties shall be required to pay the corresponding compensation for damages, and any other legal or criminal responsibility is the infringement may give rise to.



Mechanical area/
Zone d'usage/
Zona mecanizado

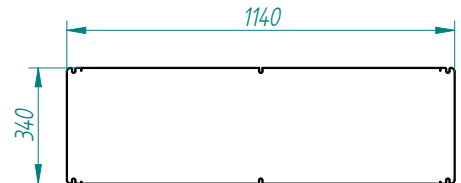
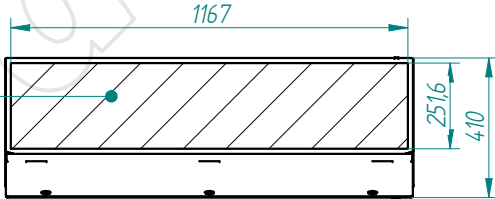


Mechanical area/
Zone d'usage/
Zona mecanizado




PLACA INFERIOR

Mechanical area/
Zone d'usage/
Zona mecanizado

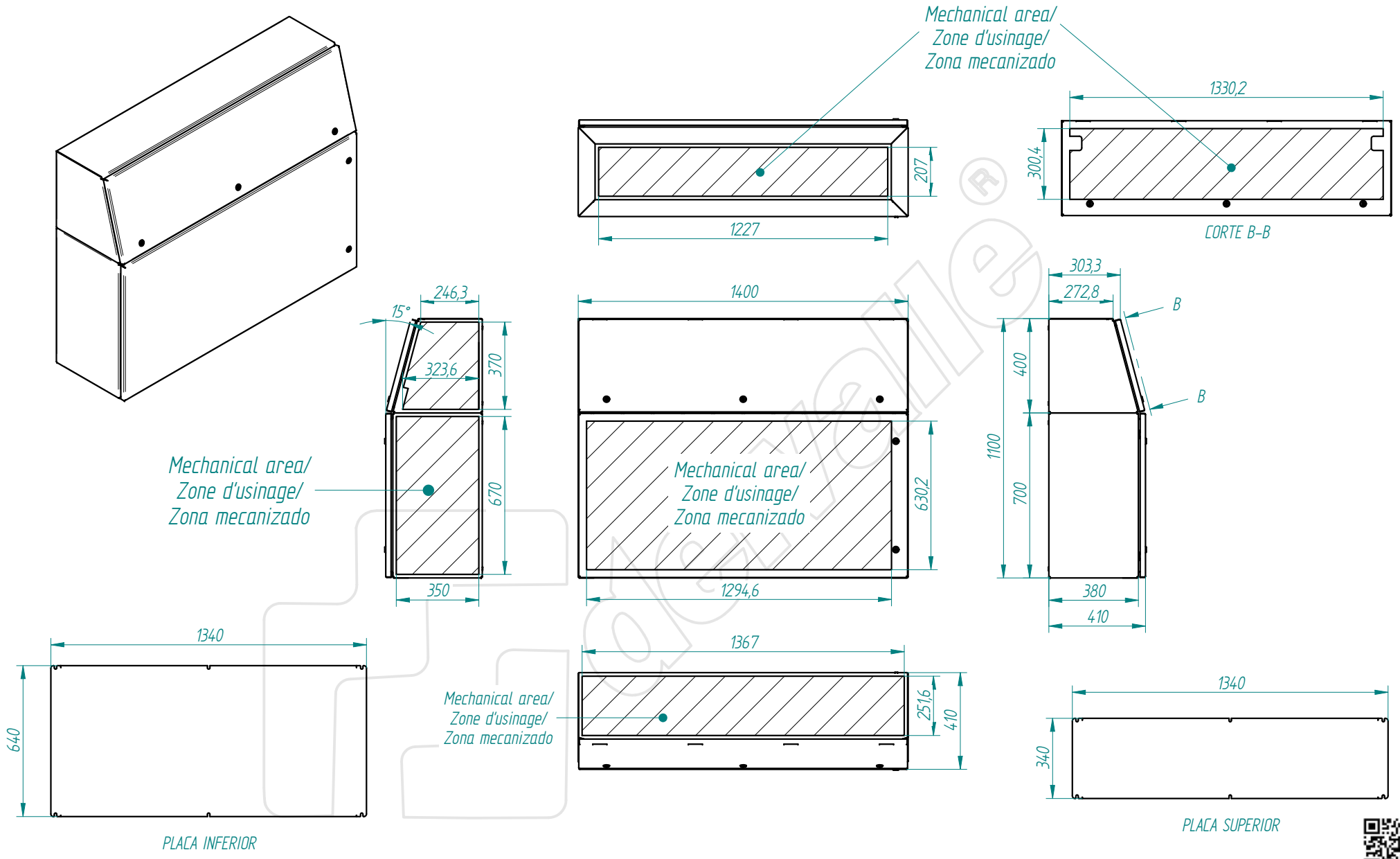


PLACA SUPERIOR



TOLERANCIA GENERAL DE MECANIZACION según DIN 7168	Creación del documento	22/05/2015	D.MTNEZ	A	Referencia: - plegado: - acabado:	DIBUJADO:	FECHA:	FIRMA:	
	MODIFICACIONES	FECHA:	FIRMA:	REVISIÓN:		APROBADO:	22/05/2015	D.Martínez	
DESIGNACIÓN:						atrium 2 modulos-1414x1200x410-estandar			Nº PLANO:

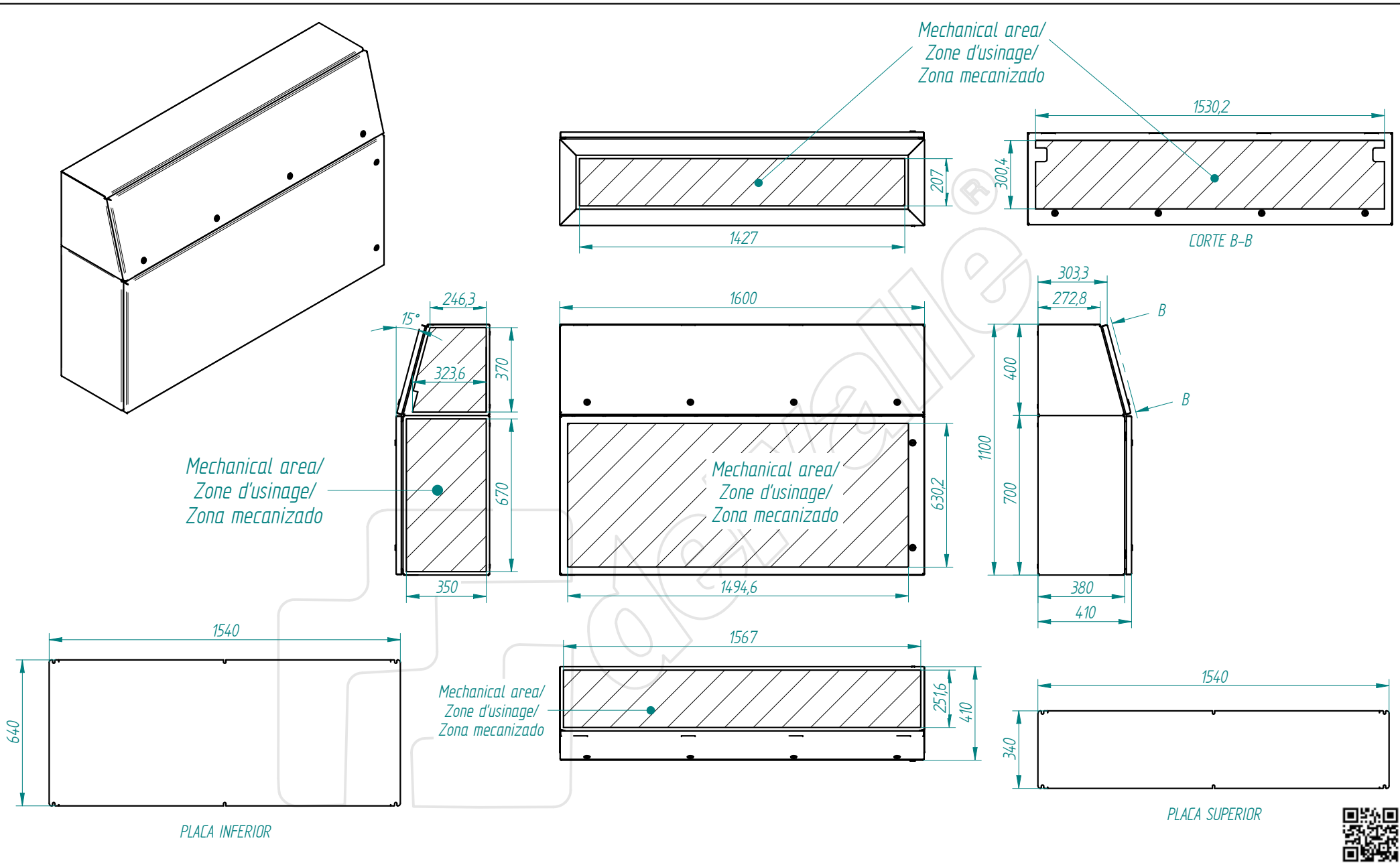
This present document and its contents are confidential, and are the exclusive intellectual and / or industrial property of DEVALLE. In addition to any technology, design, invention, work, process, know-how, calculation, manual, method, solution, idea, improvement, drawing, diagram, modification, contribution and, in short, any associated information or documentation involving industrial or intellectual property developed or supplied by DEVALLE on the occasion of the quote, order execution or incorporated into the design or operation of the supply. The recipient may not use such property in his favour or in that of a third party for purposes other than the fulfilment of the order and the operation and maintenance of the supply, without the prior written consent of DEVALLE. It is strictly forbidden to totally or partially reproduce this document and to misuse it and / or to show it to third parties. The infringing parties shall be required to pay the corresponding compensation for damages, and any other legal or criminal responsibilities that the infringement may give rise to.




TOLERANCIA GENERAL DE MECANIZACION según DIN 7168					Referencia:				
						DIBUJADO:	FECHA:	FIRMA:	
						APROBADO:	22/05/2015	D.Martínez	
Creación del documento		22/05/2015	D.MTNEZ	A	DESIGNACIÓN:		Nº PLANO:		
MODIFICACIONES		FECHA:	FIRMA:	REVISIÓN:	atrium 2 modulos-1414x1400x410-estandar				

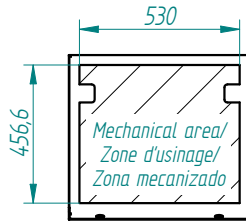
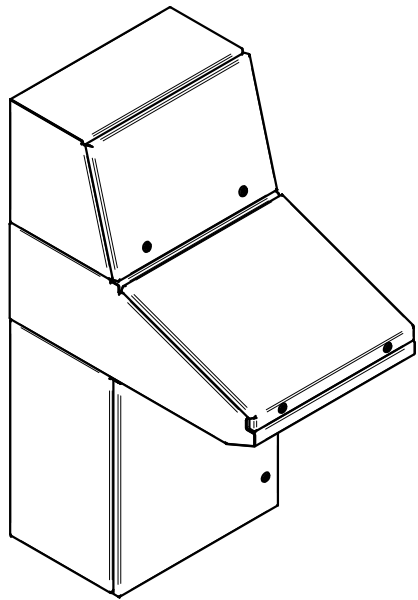


This present document and its contents are confidential, and are the exclusive intellectual and / or industrial property of DEVALLE ., in addition to any technology, design, invention, work, process, know-how, calculation, manual, method, solution, idea, improvement, drawing, diagram, modification, contribution and, in short, any associated information or documentation involving industrial or intellectual property developed or supplied by DEVALLE on the occasion of the quote, order execution or incorporated into the design or operation of the supply. The recipient may not use such property in his favour or in that of a third party for purposes other than the fulfilment of the order and the operation and maintenance of the supply, without the prior written consent of DEVALLE. It is strictly forbidden to totally or partially reproduce this document and to misuse it and / or to show it to third parties. The infringing parties shall be required to pay the corresponding compensation for damages, and any other legal or criminal, responsible & the infringement may give rise to.

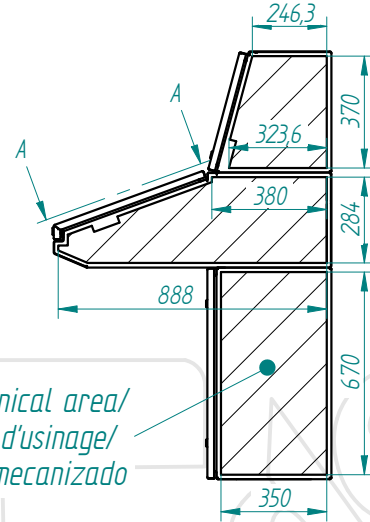


TOLERANCIA GENERAL DE MECANIZACION según DIN 7168					Referencia:		FECHA:		FIRMA:	
						DIBUJADO:	22/05/2015	D.Martínez		
						APROBADO:	22/05/2015	D.Martínez	Nº PLANO:	
Creación del documento				22/05/2015	D.MTNEZ	A	DESIGNACIÓN:			atrium 2 modulos-1414x1600x410-estandar
MODIFICACIONES				FECHA:	FIRMA:	REVISIÓN:	-			

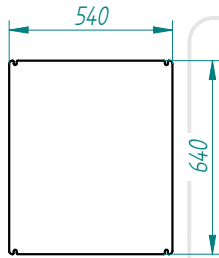
This present document and its contents are confidential, and are the exclusive intellectual and / or industrial property of DEVALLE. In addition to any technology, design, invention, work, process, know-how, calculation, manual, method, solution, idea, improvement, drawing, diagram, modification, contribution and, in short, any associated information or documentation involving industrial or intellectual property developed or supplied by DEVALLE on the occasion of the quote, order execution or incorporated into the design or operation of the supply. The recipient may not use such property in his favour or in that of a third party for purposes other than the fulfilment of the order and the operation and maintenance of the supply, without the prior written consent of DEVALLE. It is strictly forbidden to totally or partially reproduce this document and to misuse it or to show it to third parties. The infringing parties shall be required to pay the corresponding compensation for damages, and any other legal or criminal responsibility is the infringement may give rise to.



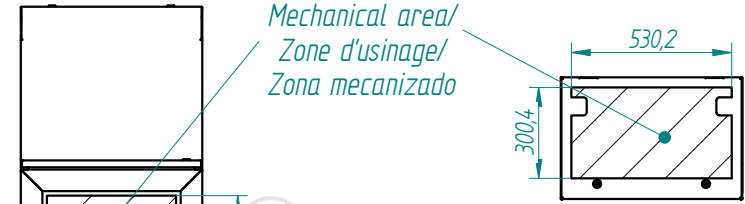
CORTE A-A



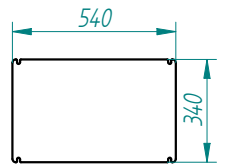
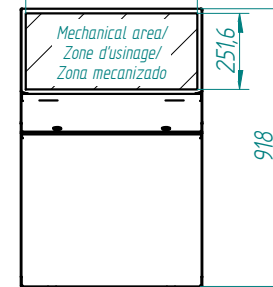
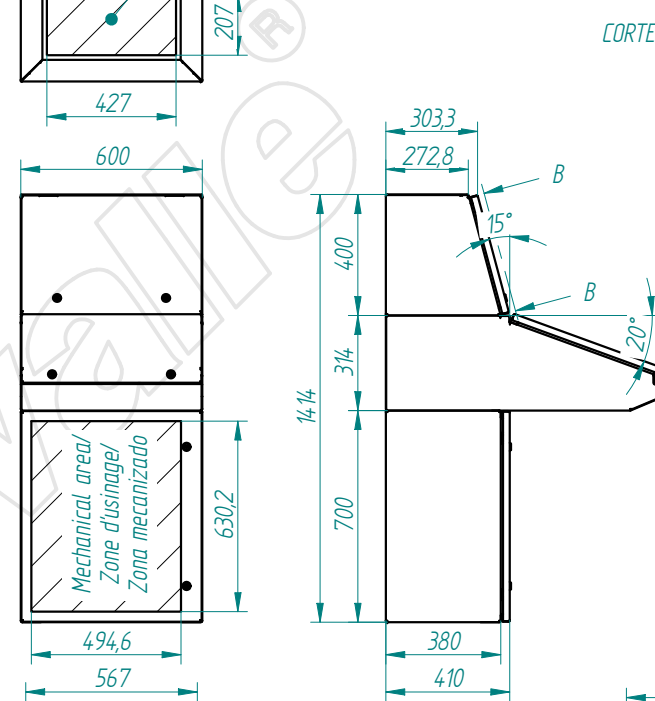
Mechanical area/
Zone d'usinage/
Zona mecanizado




PLACA INFERIOR



CORTE B-B

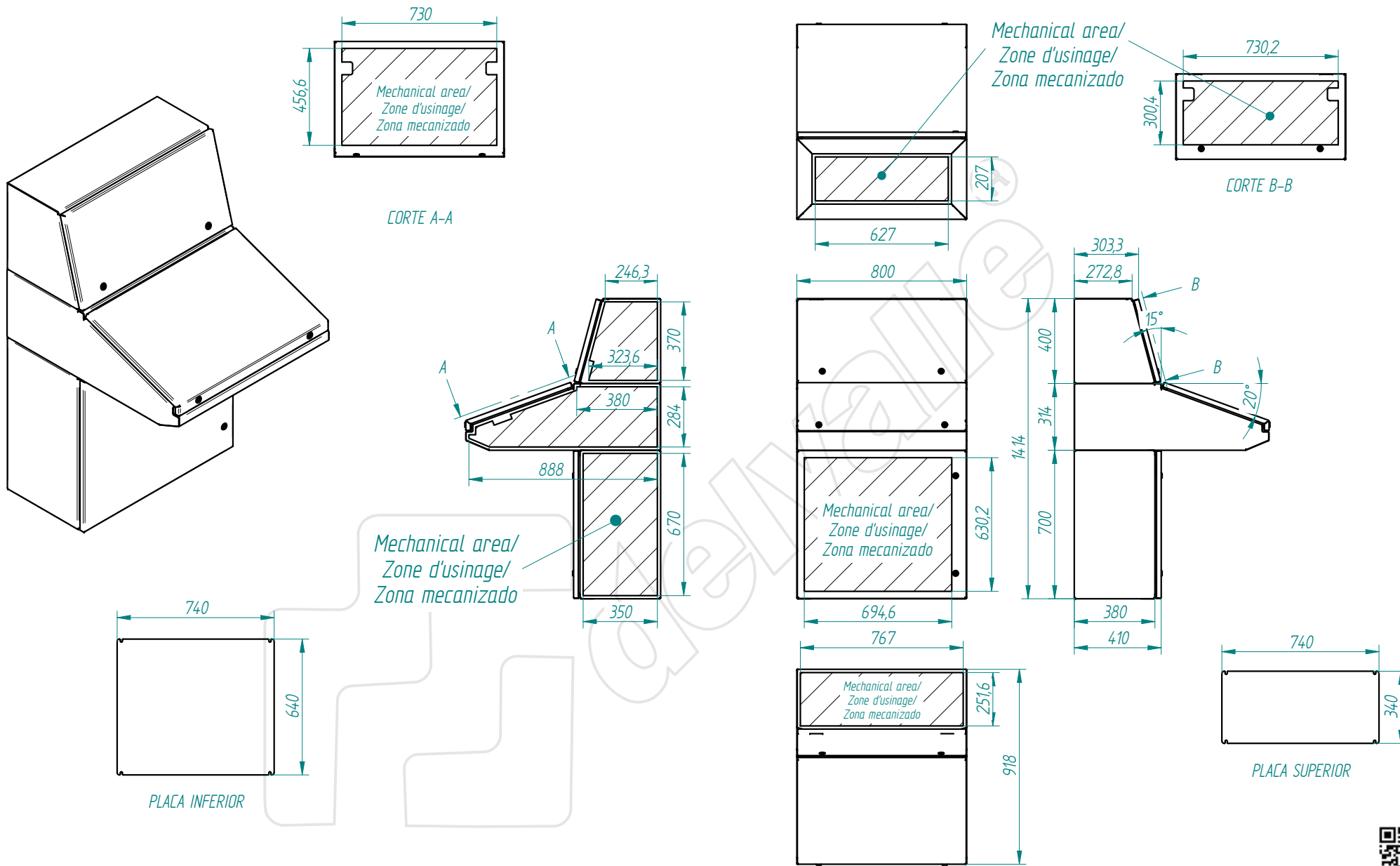



PLACA SUPERIOR

TOLERANCIA GENERAL DE MECANIZACION segun DIN 7168					Referencia: - plegado: acabado:	DIBUJADO: 19/05/2015	FECHA: 19/05/2015	FIRMA: D.Martinez	 N° PLANO:
	Creación del documento	19/05/2015	D.MTNEZ	A		APROBADO: 19/05/2015	D.Martinez	DESIGNACIÓN: atrium 3 modulos-1414x600x918-estandar	
	MODIFICACIONES	FECHA:	FIRMA:	REVISIÓN:					



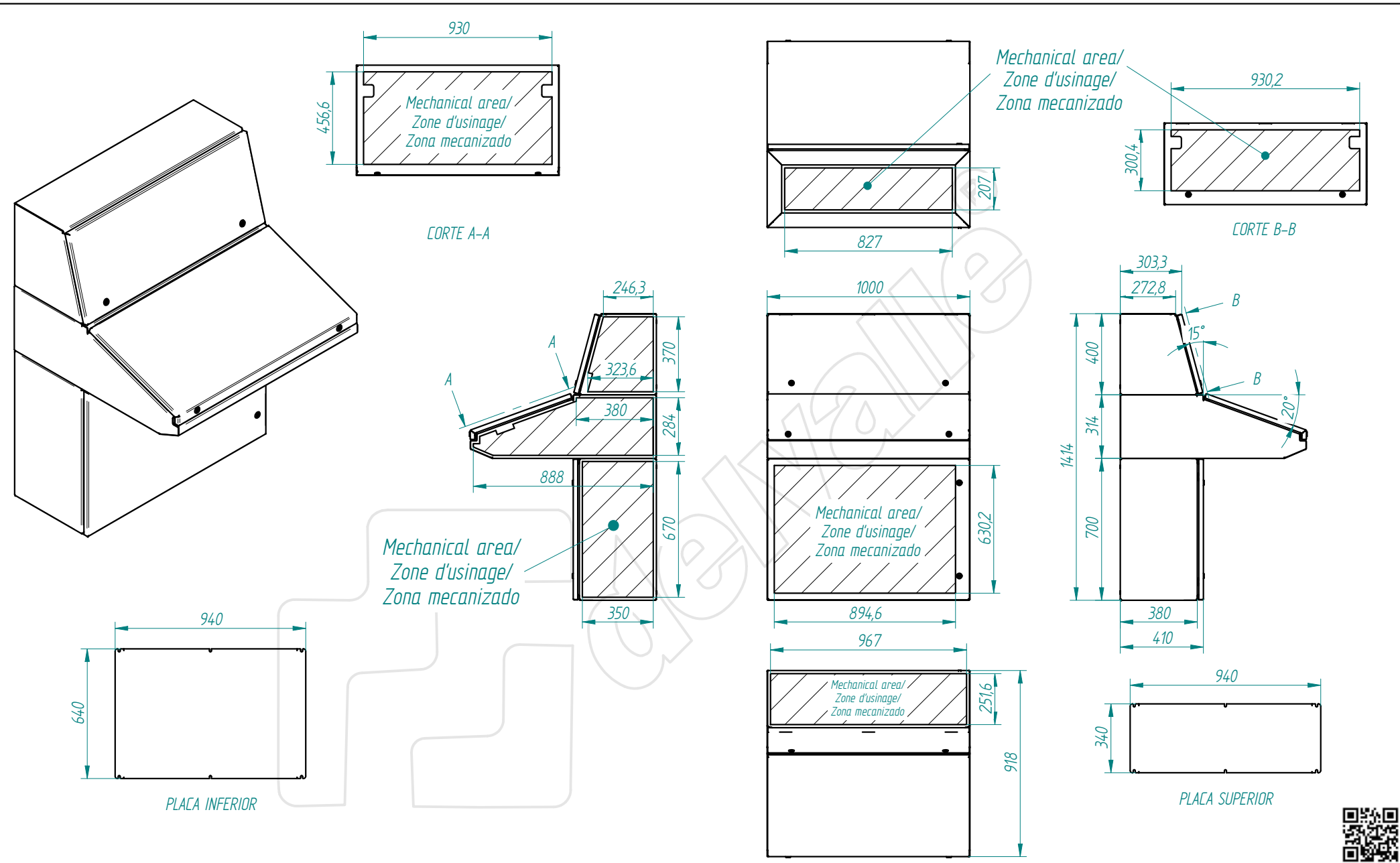
This present document and its contents are confidential, and are the exclusive intellectual and / or industrial property of DEVALLE. In addition to any technology, design, invention, work, process, know-how, calculation, manual, method, solution, idea, improvement, drawing, diagram, modification, contribution and, in short, any associated information or documentation involving industrial or intellectual property developed or supplied by DEVALLE on the occasion of the quote, order execution or incorporated into the design or operation of the supply. The recipient may not use such property in his favour or in that of a third party for purposes other than the fulfilment of the order and the operation and maintenance of the supply, without the prior written consent of DEVALLE. It is strictly forbidden to totally or partially reproduce this document and to misuse it or to show it to third parties. The infringing parties shall be required to pay the corresponding compensation for damages, and any other legal or criminal responsibility is the infringement may give rise to.




TOLERANCIA GENERAL DE MECANIZACION según DIN 7168	Creación del documento	21/05/2015	D.MTNEZ	A	Referencia: - plegado: - acabado:	DIBUJADO:	FECHA:	FIRMA:	 N° PLANO:
	MODIFICACIONES	FECHA:	FIRMA:	REVISIÓN:		APROBADO:	21/05/2015	D.Martinez	
DESIGNACIÓN:						atrium 3 modulos-1414x800x918-estandar			

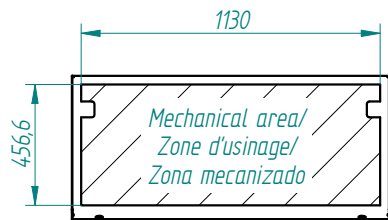
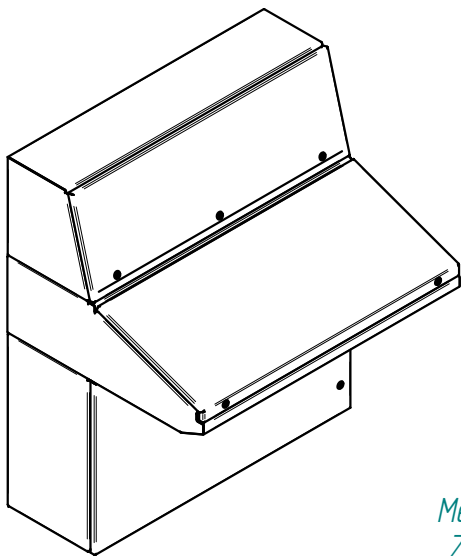


This present document and its contents are confidential, and are the exclusive intellectual and / or industrial property of DELVALLE. In addition to any technology, design, invention, work, process, know-how, calculation, manual, method, solution, drawing, improvement, diagram, modification, contribution and, in short, any associated information or documentation involving industrial or intellectual property developed or supplied by DELVALLE on the occasion of the quote, order execution or incorporated into the design or operation of the supply. The recipient may not use such property in his favour or in that of a third party for purposes other than the fulfilment of the order and the operation and maintenance of the supply, without the prior written consent of DELVALLE. It is strictly forbidden to totally or partially reproduce this document and to misuse it or to show it to third parties. The infringing parties shall be required to pay the corresponding compensation for damages, and any other legal or criminal responsibility is the infringement may give rise to.

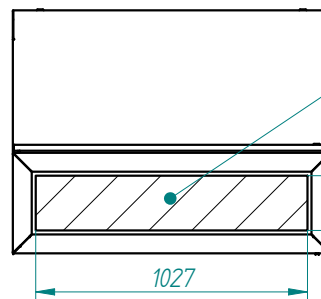


TOLERANCIA GENERAL DE MECANIZACION según DIN 7168	Creación del documento	21/05/2015	D.MTNEZ	A	Referencia: - plegado: - acabado:	DIBUJADO:	FECHA:	FIRMA:	 N° PLANO:
	MODIFICACIONES	FECHA:	FIRMA:	REVISIÓN:		APROBADO:	21/05/2015	D.Martínez	
						DESIGNACIÓN:		atrium 3 modulos-1414x1000x918-estandar	

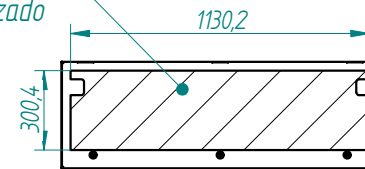
This present document and its contents are confidential, and are the exclusive intellectual and / or industrial property of DELVALLE. In addition to any technology, design, invention, work, process, know-how, calculation, manual, method, solution, idea, improvement, drawing, modification, contribution and, in short, any associated information or documentation involving industrial or intellectual property developed or supplied by DELVALLE on the occasion of the quote, order execution or incorporated into the design or operation of the supply. The recipient may not use such property in his favour or in that of a third party for purposes other than the fulfilment of the order and the operation and maintenance of the supply, without the prior written consent of DELVALLE. It is strictly forbidden to totally or partially reproduce this document and to misuse it or to show it to third parties. The infringing parties shall be required to pay the corresponding compensation for damages, and any other legal or criminal responsibilities. The infringement may give rise to.



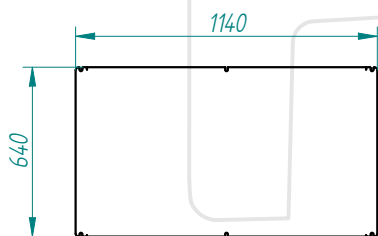
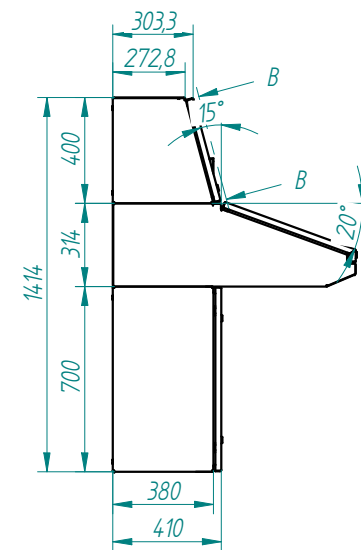
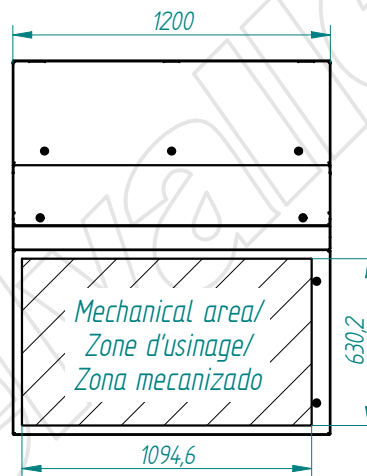
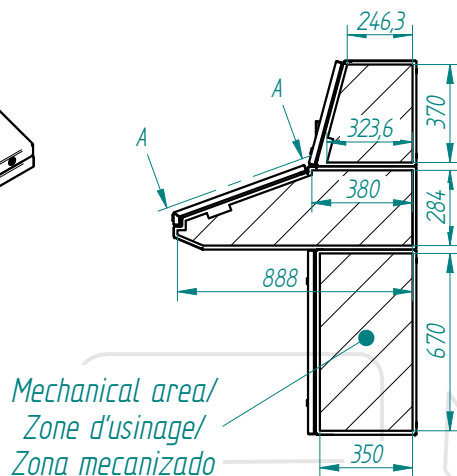
CORTE A-A



Mechanical area/
Zone d'usinage/
Zona mecanizado

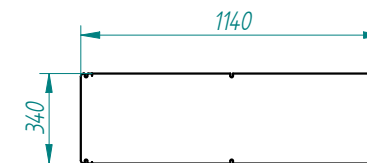
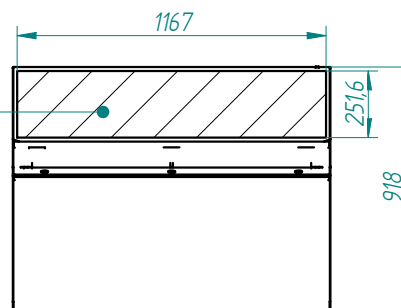


CORTE B-B



PLACA INFERIOR

Mechanical area/
Zone d'usinage/
Zona mecanizado



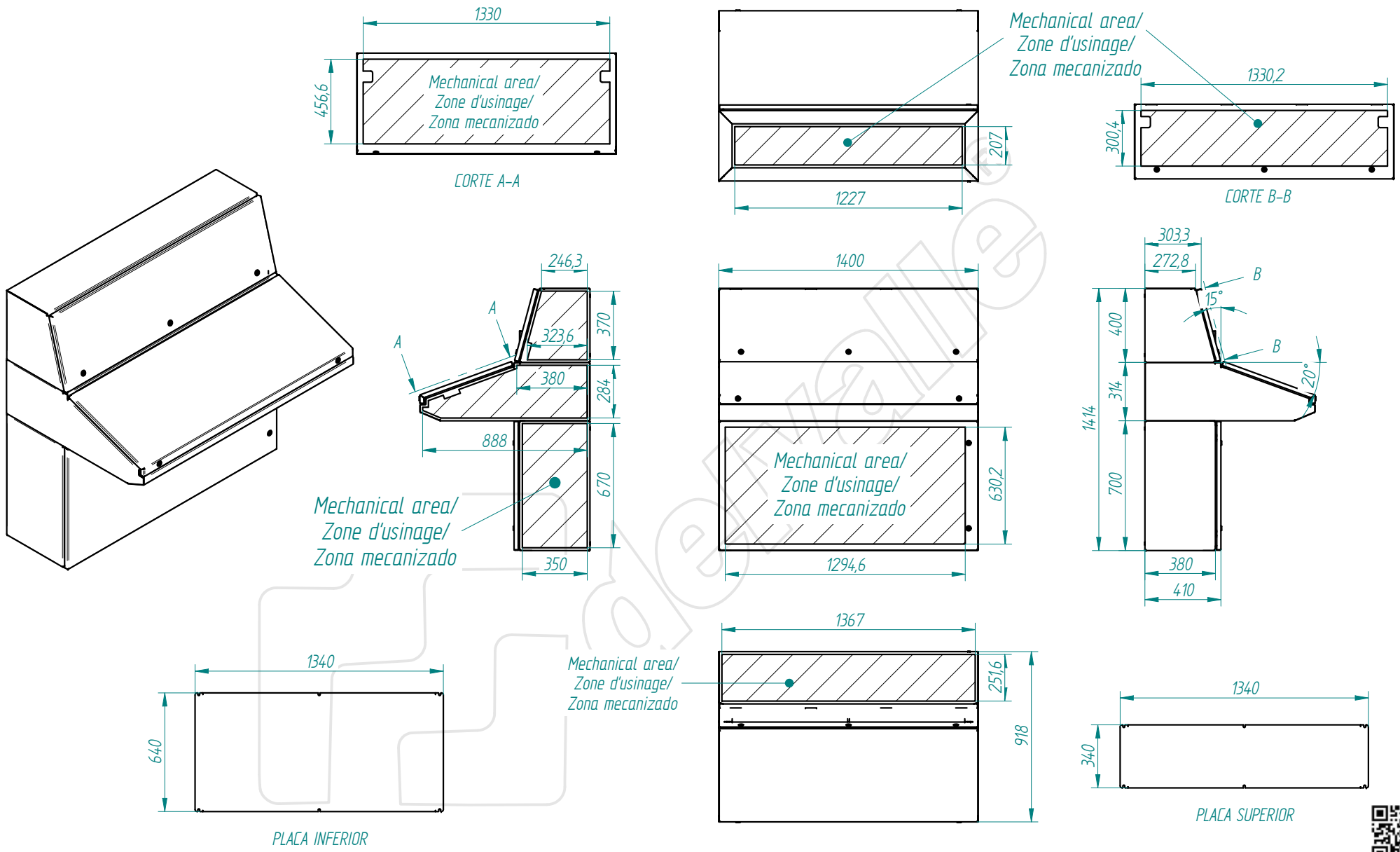
PLACA SUPERIOR



TOLERANCIA GENERAL DE MECANIZACION según DIN 7168	Creación del documento	21/05/2015	D.MTNEZ	A	Referencia: - plegado: - acabado:	DIBUJADO:	21/05/2015	FIRMA: D.Martínez	
	MODIFICACIONES	FECHA:	FIRMA:	REVISIÓN:		APROBADO:	21/05/2015	D.Martínez	
						DESIGNACIÓN:	atrium 3 modulos-1414x1200x918-estandar		
								Nº PLANO:	



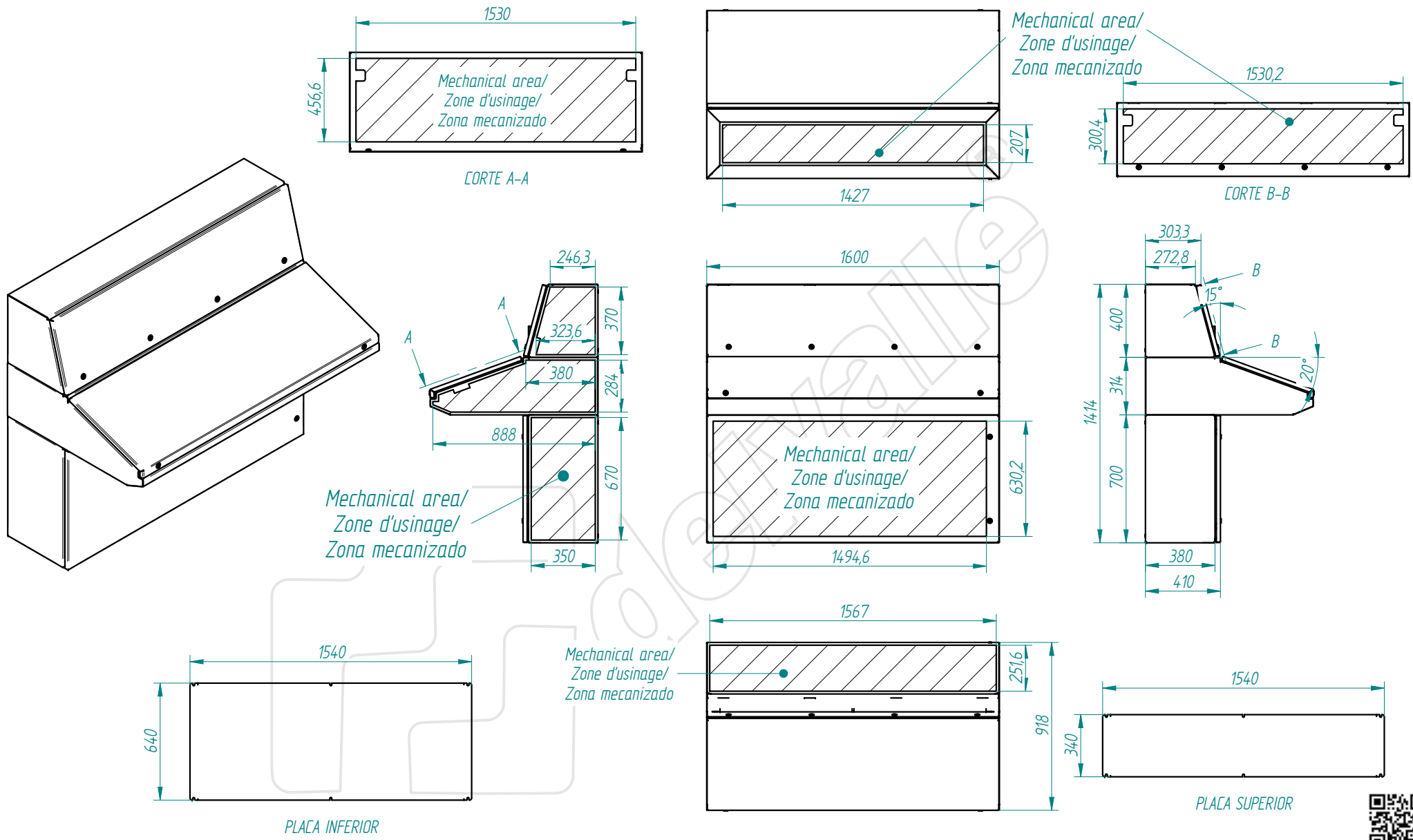
This present document and its contents are confidential, and are the exclusive intellectual and / or industrial property of DELVALLE. In addition to any technology, design, invention, work, process, know-how, calculation, manual, method, solution, idea, improvement, drawing, diagram, modification, contribution and, in short, any associated information or documentation involving industrial or intellectual property developed or supplied by DELVALLE on the occasion of the quote, order execution or incorporated into the design or operation of the supply. The recipient may not use such property in his favour or in that of a third party for purposes other than the fulfilment of the order and the operation and maintenance of the supply, without the prior written consent of DELVALLE. It is strictly forbidden to totally or partially reproduce this document and to misuse it or to show it to third parties. The infringing parties shall be required to pay the corresponding compensation for damages, and any other legal or criminal, responsible and the infringer may give rise to.



TOLERANCIA GENERAL DE MECANIZACION según DIN 7168					Referencia:				
						DIBUJADO: 21/05/2015	FECHA: 21/05/2015	FIRMA: D.Martinez	
						APROBADO: 21/05/2015		D.Martinez	
Creación del documento		21/05/2015	D.MTNEZ	A	-	DESIGNACIÓN: atrium 3 modulos-1414x1400x918-estandar			
MODIFICACIONES		FECHA:	FIRMA:	REVISIÓN:	plegado: acabado:	Nº PLANO:			



This present document and its contents are confidential, and are the exclusive intellectual and / or industrial property of DELVALLE. In addition to any technology, design, invention, work, process, know-how, calculation, manual, method, solution, idea, improvement, drawing, diagram, modification, contribution and, in short, any associated information or documentation involving industrial or intellectual property developed or supplied by DELVALLE on the occasion of the quote, order execution or incorporated into the design or operation of the supply. The recipient may not use such property in his favour or in that of a third party for purposes other than the fulfilment of the order and the operation and maintenance of the supply, without the prior written consent of DELVALLE. It is strictly forbidden to totally or partially reproduce this document and to misuse it or to show it to third parties. The infringing parties shall be required to pay the corresponding compensation for damages, and any other legal or criminal responsibility as the infringement may give rise to.



TOLERANCIA GENERAL DE MECANIZACION según DIN 7168					Referencia: - plegado: acabado:	DIBUJADO: 21/05/2015	FECHA: 21/05/2015	FIRMA: D.Martínez
	Creación del documento	21/05/2015	D.MTNEZ	A		APROBADO: 21/05/2015	D.Martínez	DESIGNACIÓN: atrium 3 modulos-1414x1600x918-estandar
	MODIFICACIONES	FECHA:	FIRMA:	REVISIÓN:		Nº PLANO:		

