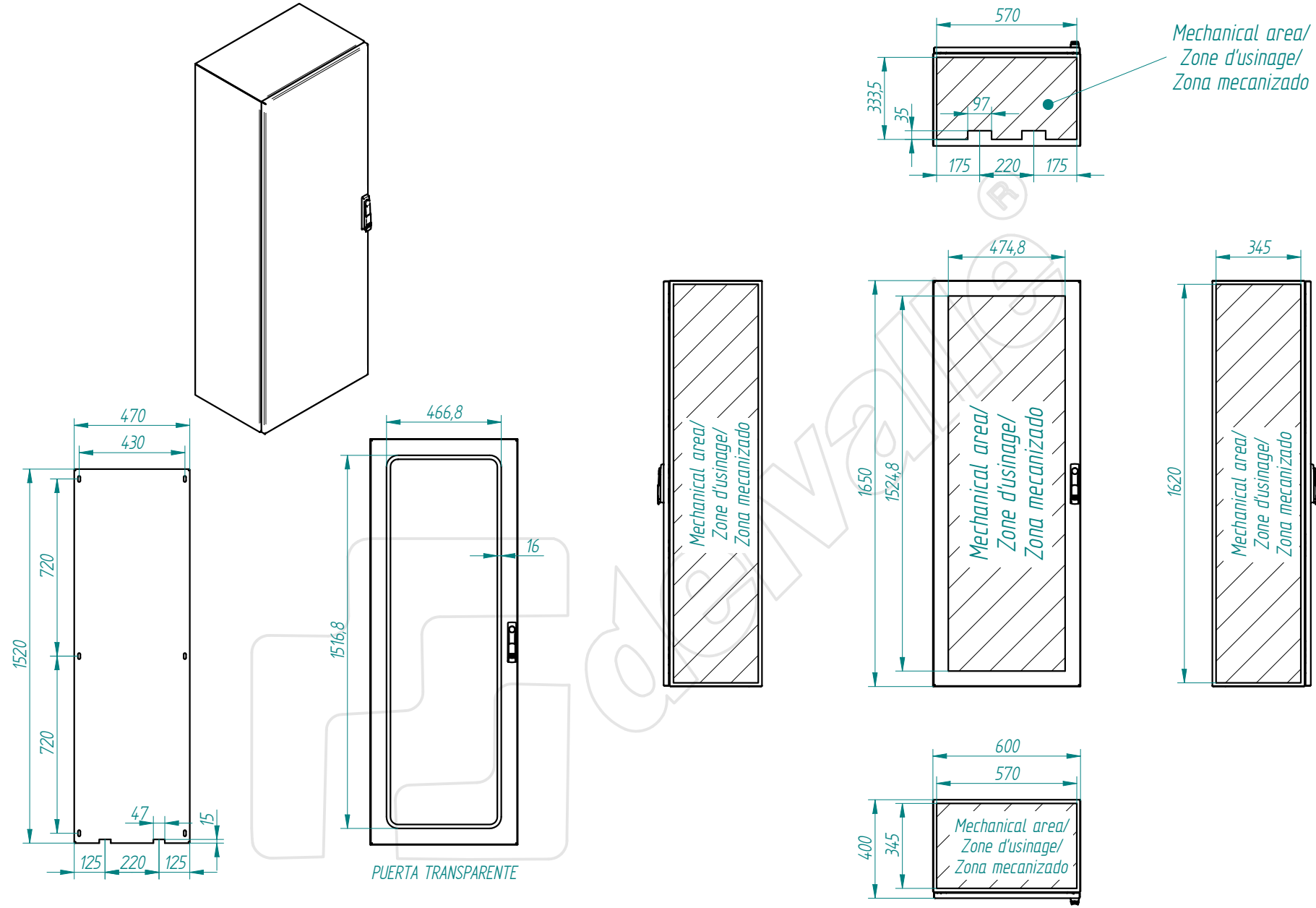



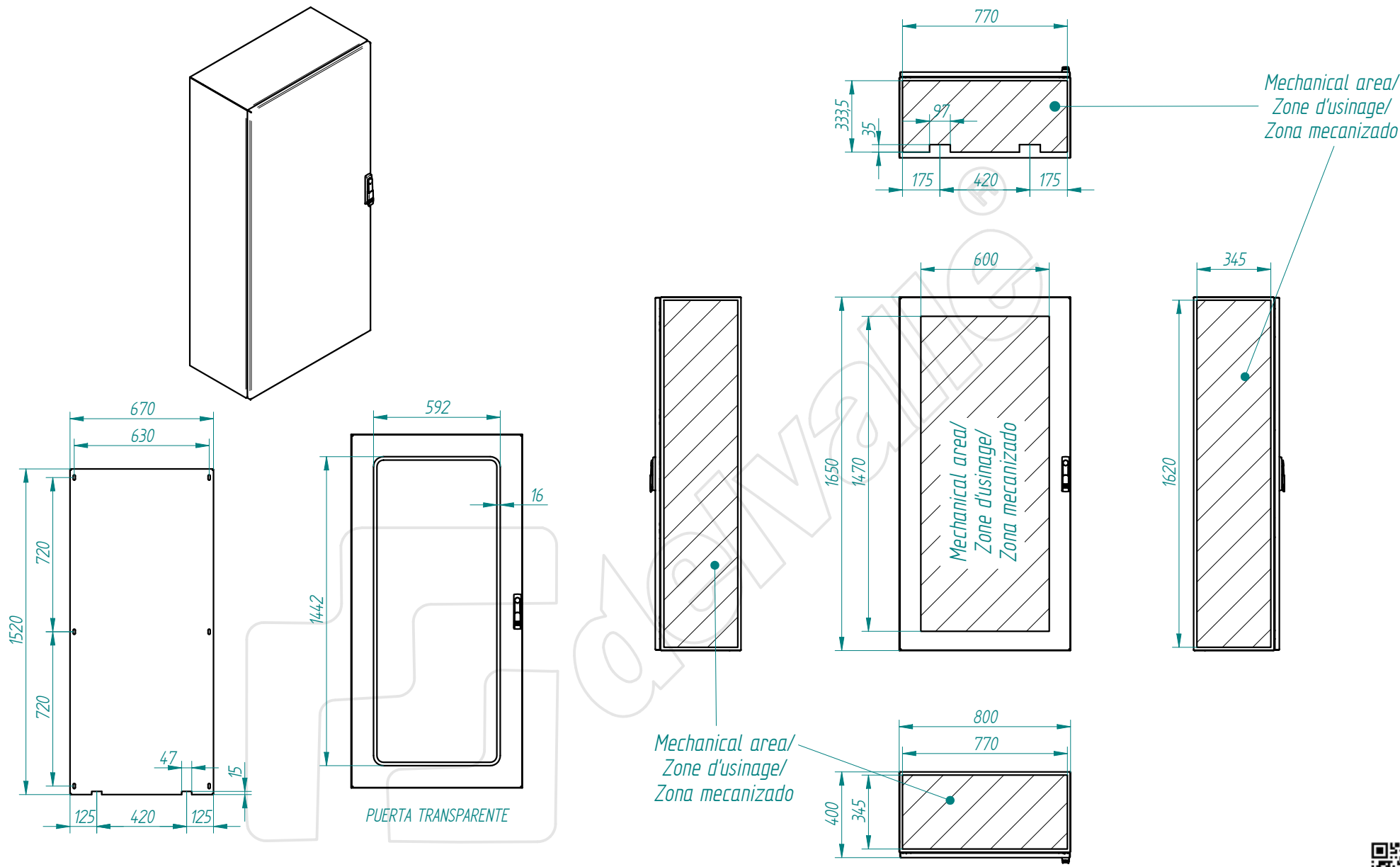
This present document and its contents are confidential, and are the exclusive intellectual and / or industrial property of DELVALLE. In addition to any technology, design, invention, work, process, know-how, calculation, manual, method, solution, idea, improvement, drawing, modification, contribution and, in short, any associated information or documentation involving industrial or intellectual property developed or supplied by DELVALLE on the occasion of the quote, order execution or incorporated into the design or operation of the supply. The recipient may not use such property in his favour or in that of a third party for purposes other than the fulfilment of the order and the operation and maintenance of the supply, without the prior written consent of DELVALLE. It is strictly forbidden to totally or partially reproduce this document and to misuse it and / or to show it to third parties. The infringing parties shall be required to pay the corresponding compensation for damages, and any other legal or criminal responsibility if the infringement may give rise to.



TOLERANCIA GENERAL DE MECANIZACION según DIN 7168				Referencia:	FECHA:		FIRMA:	
					10/06/2015		D.Martínez	
Creación del documento	10/06/2015	D.MTNEZ	A	- plegado: acabado:	DESIGNACIÓN:			Nº PLANO:
MODIFICACIONES	FECHA:	FIRMA:	REVISIÓN:		TRIBECA1P-1650x600x400-estandar			



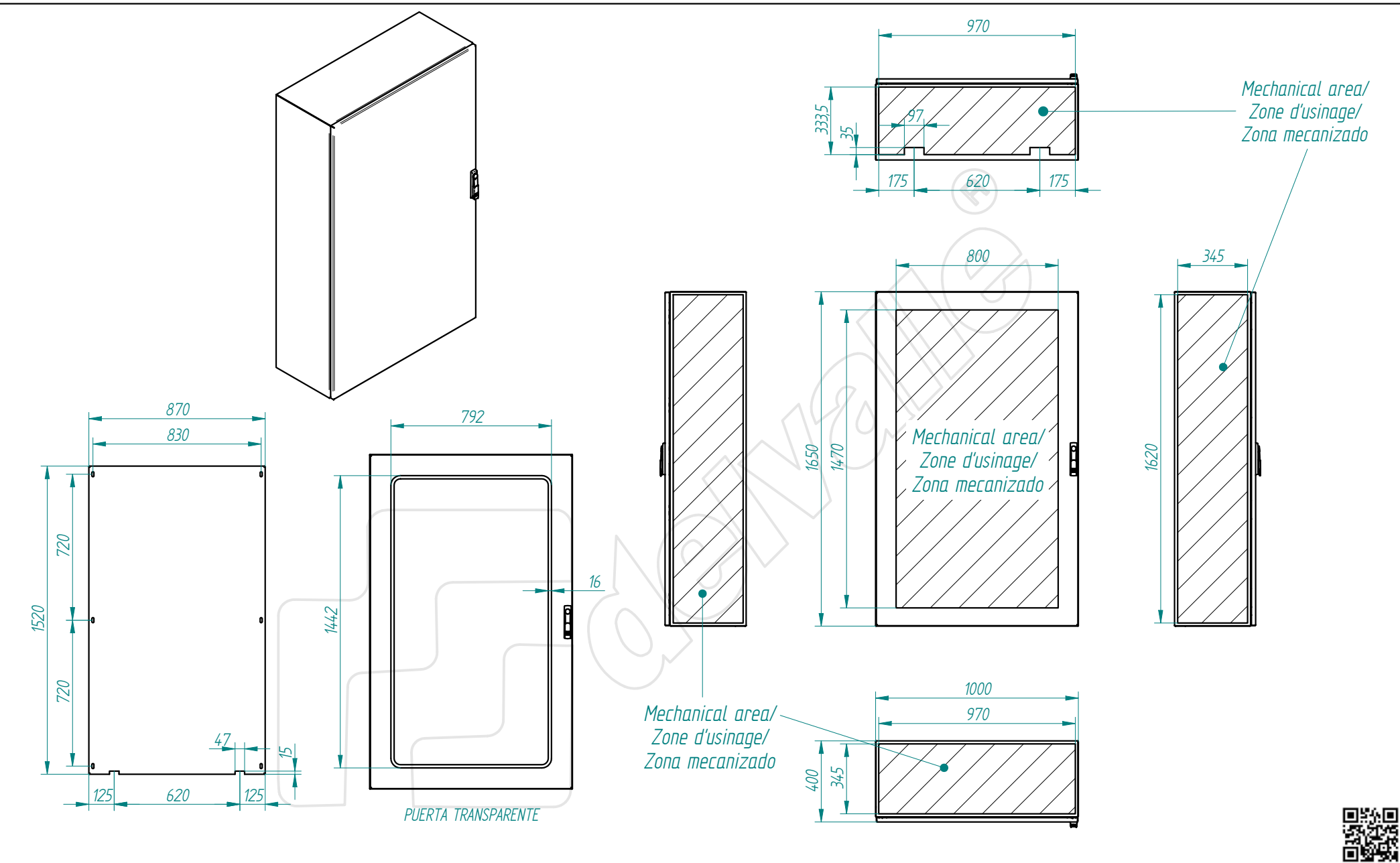
This present document and its contents are confidential, and are the exclusive intellectual and / or industrial property of DELVALLE. In addition to any technology, design, invention, work, process, know-how, calculation, manual, method, solution, idea, improvement, drawing, diagram, modification and, in short, any associated information or documentation involving industrial or intellectual property developed or supplied by DELVALLE on the occasion of the quote, order execution or incorporated into the design or operation of the supply. The recipient may not use such property in his favour or in that of a third party for purposes other than the fulfilment of the order and the operation and maintenance of the supply, without the prior written consent of DELVALLE. It is strictly forbidden to totally or partially reproduce this document and to misuse it and / or to show it to third parties. The infringing parties shall be required to pay the corresponding compensation for damages, and any other legal or criminal responsibility is the infringer's sole responsibility.




TOLERANCIA GENERAL DE MECANIZACION según DIN 7168	Creación del documento	10/06/2015	D.MTNEZ	A	Referencia: - plegado: - acabado:	DIBUJADO:	10/06/2015	FIRMA: D.Martinez
	MODIFICACIONES	FECHA:	FIRMA:	REVISIÓN:		APROBADO:	10/06/2015	D.Martinez
DESIGNACIÓN: TRIBECA1P-1650x800x400-estandar						Nº PLANO:		



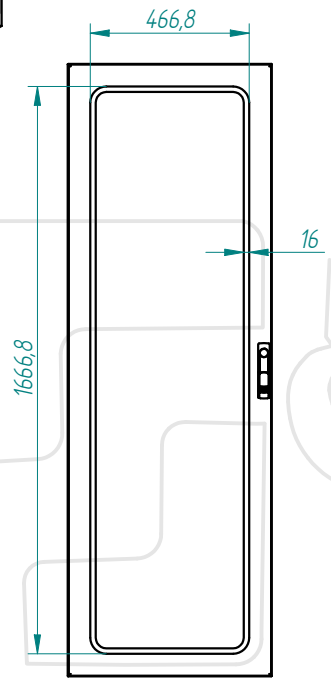
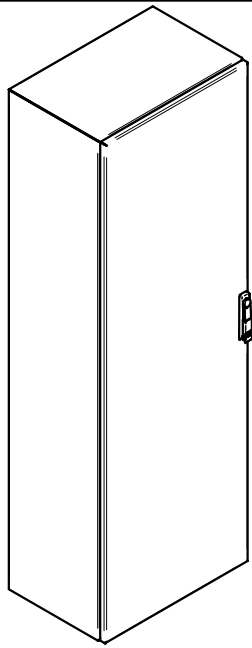
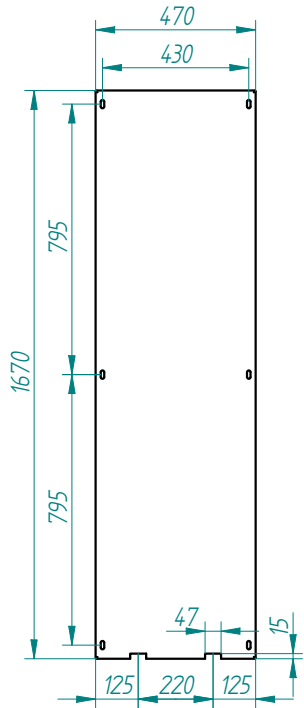
This present document and its contents are confidential, and are the exclusive intellectual and / or industrial property of DELVALLE. In addition to any technology, design, invention, work, process, know-how, calculation, manual, method, solution, idea, improvement, drawing, diagram, modification, contribution and, in short, any associated information or documentation involving industrial or intellectual property developed or supplied by DELVALLE on the occasion of the quote, order execution or incorporation into the design or operation of the supply. The recipient may not use such property in his favour or in that of a third party for purposes other than the fulfilment of the order and the operation and maintenance of the supply, without the prior written consent of DELVALLE. It is strictly forbidden to totally or partially reproduce this document and to misuse it and / or to show it to third parties. The infringing parties shall be required to pay the corresponding compensation for damages, and any other legal or criminal responsibilities, the infringement may give rise to.



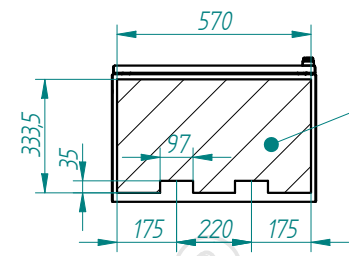
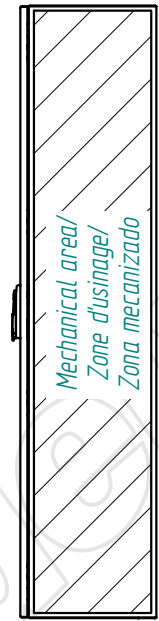
TOLERANCIA GENERAL DE MECANIZACION según DIN 7168	Creación del documento	10/06/2015	D.MTNEZ	A	Referencia: - plegado: - acabado:	DIBUJADO:	10/06/2015	FIRMA:	D.Martinez	
	MODIFICACIONES	FECHA:	FIRMA:	REVISIÓN:		APROBADO:	10/06/2015	D.Martinez	DESIGNACIÓN:	



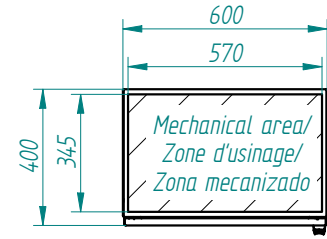
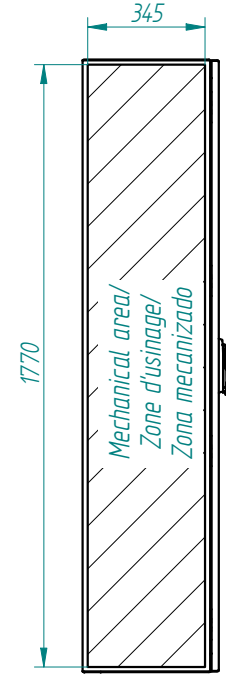
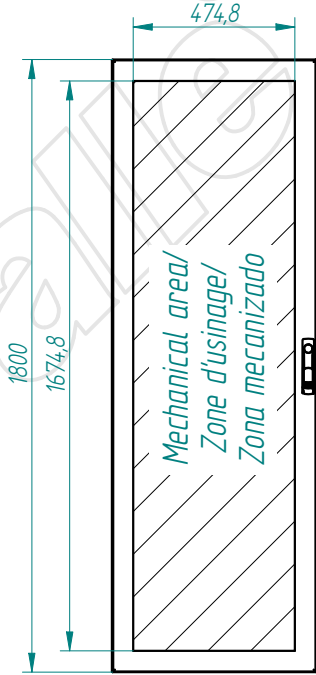
This present document and its contents are confidential, and are the exclusive intellectual and / or industrial property of DELVALLE. In addition to any technology, design, invention, work, process, know-how, calculation, manual, method, solution, idea, improvement, drawing, diagram, modification, contribution and, in short, any associated information or documentation involving industrial or intellectual property developed or supplied by DELVALLE on the occasion of the quote, order execution or incorporated into the design or operation of the supply. The recipient may not use such property in his favour or in that of a third party for purposes other than the fulfilment of the order and the operation and maintenance of the supply, without the prior written consent of DELVALLE. It is strictly forbidden to totally or partially reproduce this document and to misuse it and / or to show it to third parties. The infringing parties shall be required to pay the corresponding compensation for damages, and any other legal or criminal responsibilities, the infringement may give rise to.




PUERTA TRANSPARENTE



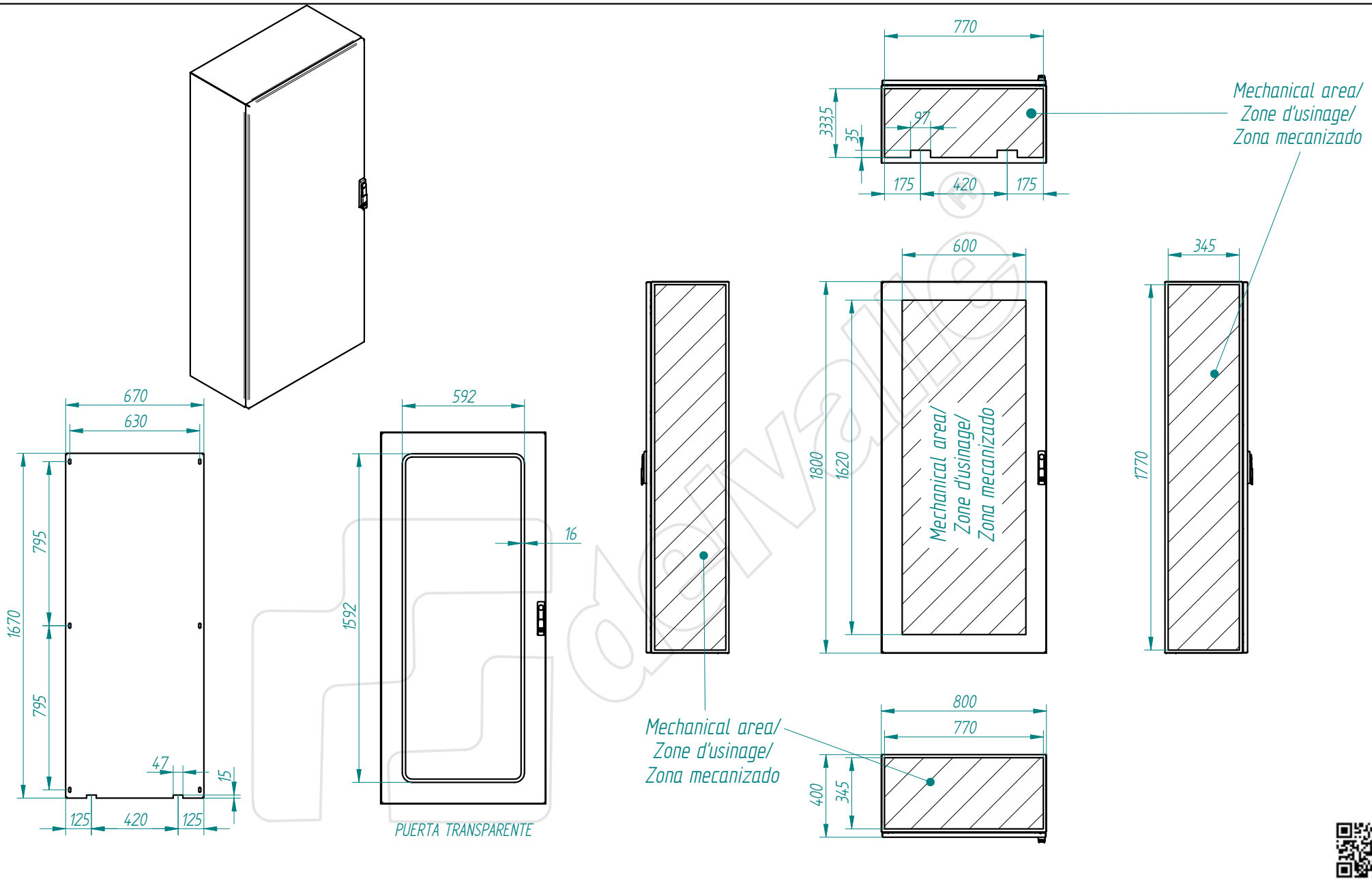
Mechanical area/  
Zone d'usinage/  
Zona mecanizado




TOLERANCIA GENERAL DE MECANIZACION según DIN 7168	Creación del documento	10/06/2015	D.MTNEZ	A	-	Referencia:	DIBUJADO:	10/06/2015	FIRMA:	D.Martínez	
	MODIFICACIONES	FECHA:	FIRMA:	REVISIÓN:	plegado: acabado:	DESIGNACIÓN:	APROBADO:	10/06/2015	D.Martínez	Nº PLANO:	
							TRIBECA1P-1800x600x400-estandar				

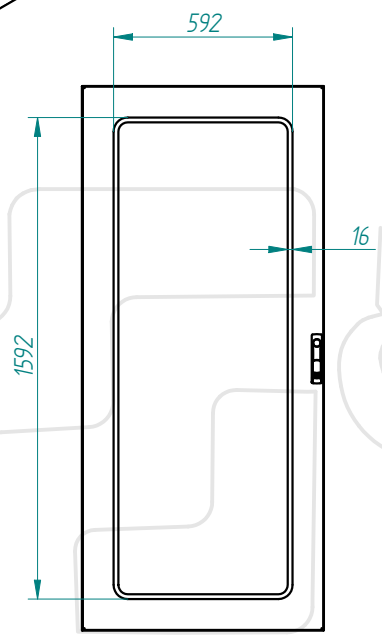
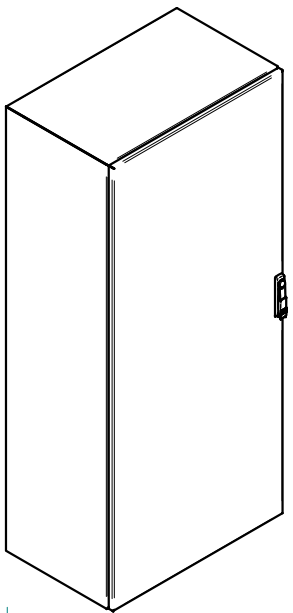
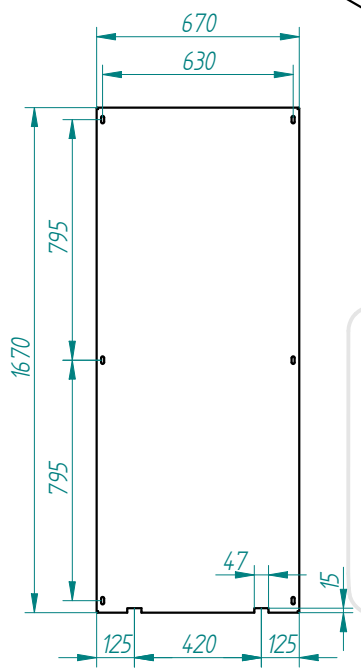


This present document and its contents are confidential, and are the exclusive intellectual and / or industrial property of DELVALLE. In addition to any technology, design, invention, work, process, know-how, calculation, manual, method, solution, drawing, improvement, contribution and, in short, any associated information or documentation involving industrial or intellectual property developed or supplied by DELVALLE on the occasion of the quote, order execution or incorporated into the design or operation of the supply. The recipient may not use such property in his favour or in that of a third party for purposes other than the fulfilment of the order and the operation and maintenance of the supply, without the prior written consent of DELVALLE. It is strictly forbidden to totally or partially reproduce this document and to misuse it and / or to show it to third parties. The infringing parties shall be required to pay the corresponding compensation for damages, and any other legal or criminal responsibility if the infringement may give rise to.

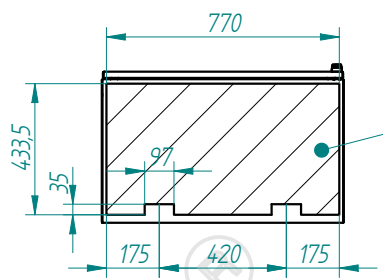
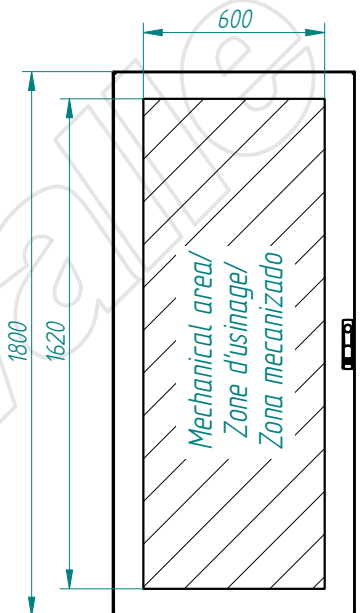
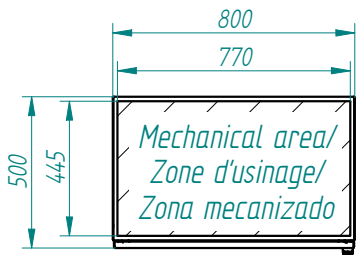


TOLERANCIA GENERAL DE MECANIZACION según DIN 7168	Creación del documento	10/06/2015	D.MTNEZ	A	Referencia: - plegado: - acabado:	DIBUJADO:	10/06/2015	FIRMA: D.Martínez	 Nº PLANO:
	MODIFICACIONES	FECHA:	FIRMA:	REVISIÓN:		APROBADO:	10/06/2015	D.Martínez	
						DESIGNACIÓN:		TRIBECA1P-1800x800x400-estandar	

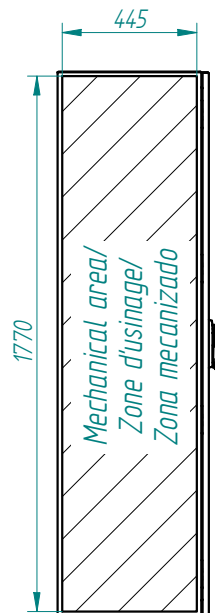
This present document and its contents are confidential, and are the exclusive intellectual and / or industrial property of DELVALLE. In addition to any technology, design, invention, work, process, know-how, calculation, manual, method, solution, idea, improvement, drawing, diagram, modification, contribution and, in short, any associated information involving industrial or intellectual property developed or supplied by DELVALLE on the occasion of the quote, order execution or incorporated into the design or operation of the supply. The recipient may not use such property in his favour or in that of a third party for purposes other than the fulfilment of the order and the operation and maintenance of the supply, without the prior written consent of DELVALLE. It is strictly forbidden to totally or partially reproduce this document and to misuse it and / or to show it to third parties. The infringing parties shall be required to pay the corresponding compensation for damages, and any other legal or criminal responsibilities, the infringement may give rise to.



PUERTA TRANSPARENTE



Mechanical area/  
Zone d'usinage/  
Zona mecanizado



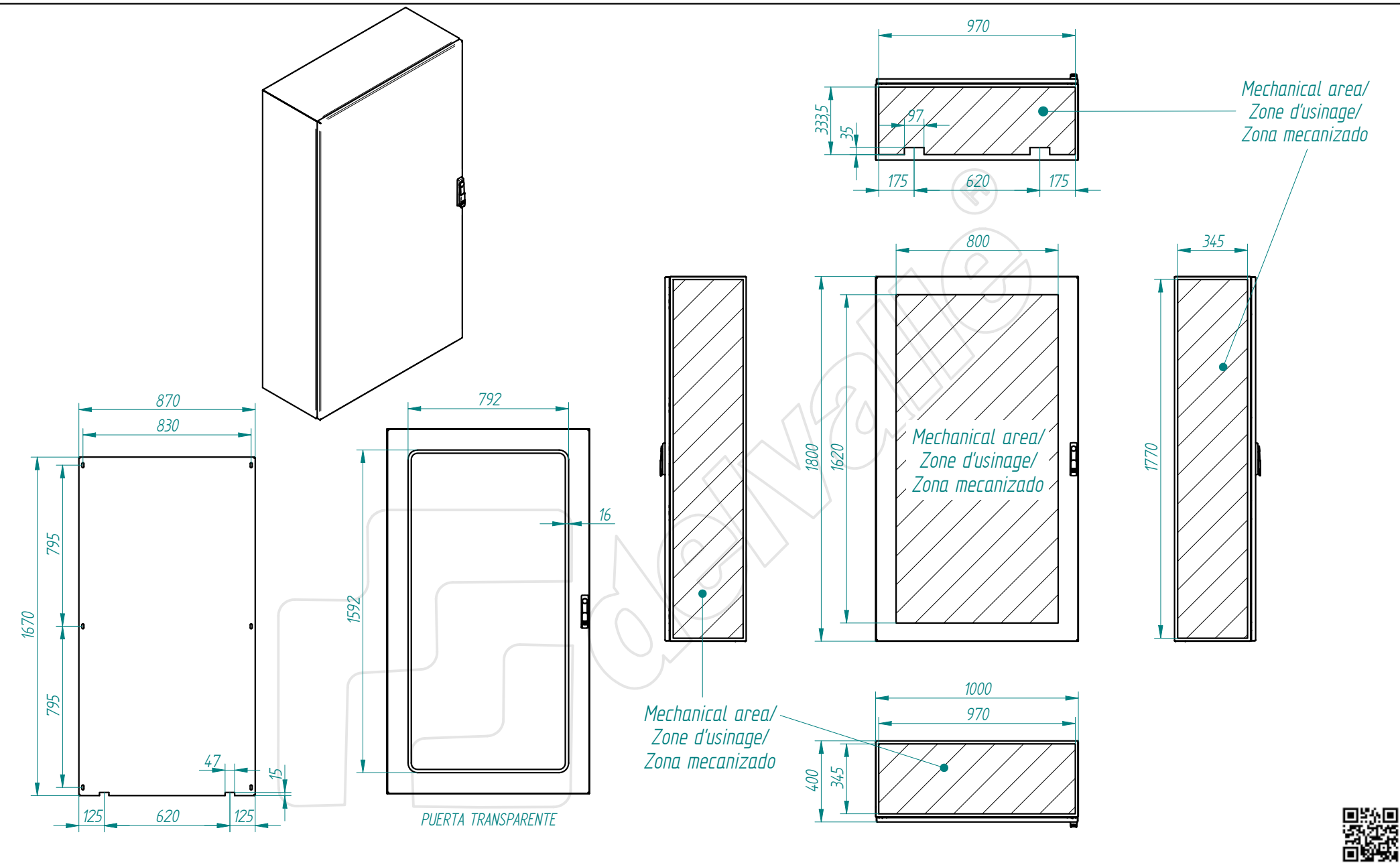
TOLERANCIA GENERAL DE MECANIZACION según DIN 7168	Creación del documento	10/06/2015	D.MTNEZ	A	Referencia: - plegado: - acabado:
	MODIFICACIONES	FECHA:	FIRMA:	REVISIÓN:	


DIBUJADO:	10/06/2015	FIRMA:	D.Martínez
APROBADO:	10/06/2015	FIRMA:	D.Martínez
DESIGNACIÓN:	TRIBECA1P-1800x800x500-estandar		

Nº PLANO:	
-----------	--



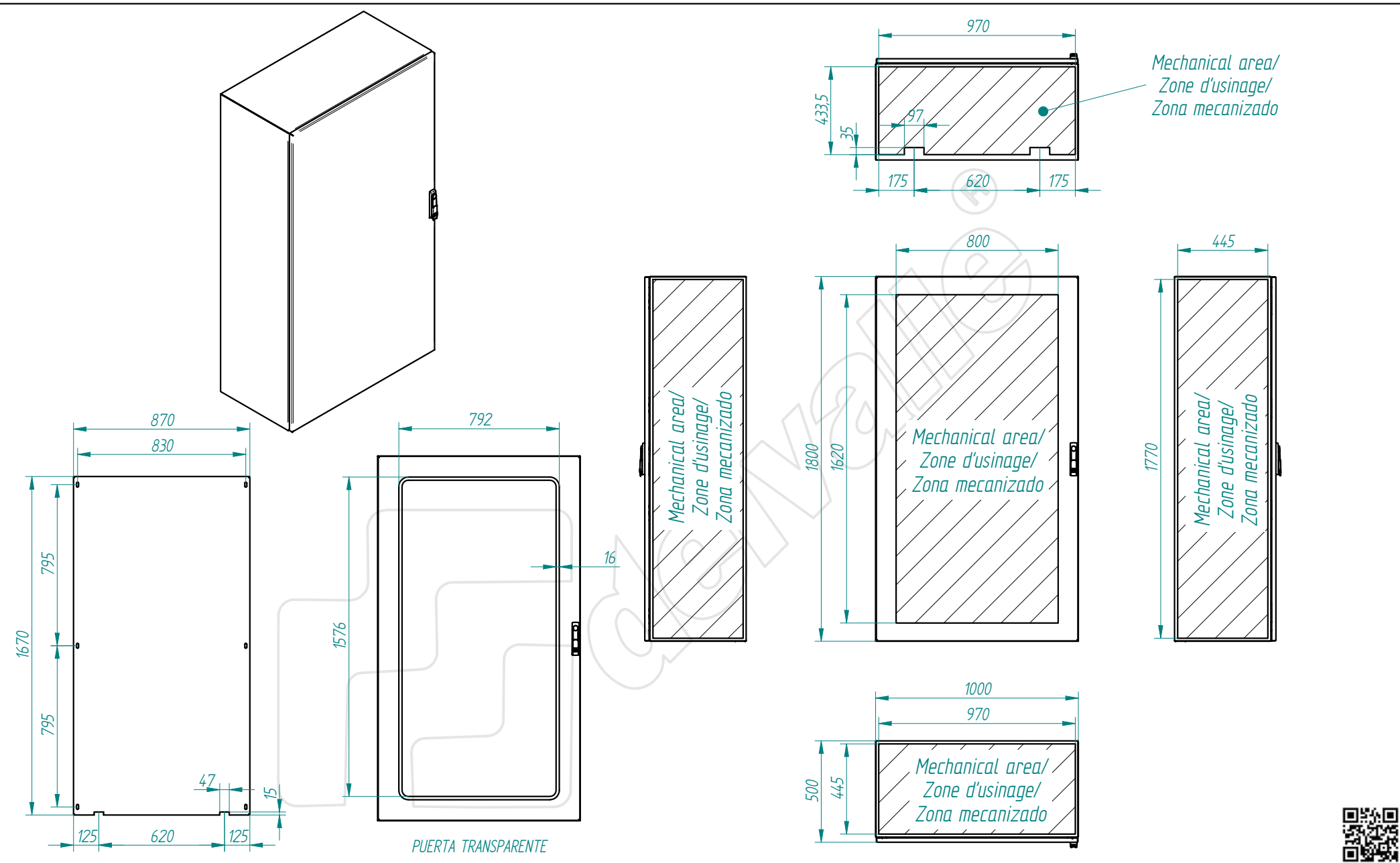
This present document and its contents are confidential, and are the exclusive intellectual and / or industrial property of DELVALLE. In addition to any technology, design, invention, work, process, know-how, calculation, manual, method, solution, idea, improvement, drawing, diagram, modification, contribution and, in short, any associated information or documentation involving industrial or intellectual property developed or supplied by DELVALLE on the occasion of the quote, order execution or incorporated into the design or operation of the supply. The recipient may not use such property in his favour or in that of a third party for purposes other than the fulfilment of the order and the operation and maintenance of the supply, without the prior written consent of DELVALLE. It is strictly forbidden to totally or partially reproduce this document and to misuse it and / or to show it to third parties. The infringing parties shall be required to pay the corresponding compensation for damages, and any other legal or criminal responsibility is the infringer's. The infringer may give rise to.




TOLERANCIA GENERAL DE MECANIZACION según DIN 7168					Referencia:		FECHA:	FIRMA:	
						DIBUJADO:	10/06/2015	D.Martínez	
						APROBADO:	10/06/2015	D.Martínez	
	Creación del documento	10/06/2015	D.MTNEZ	A	-	DESIGNACIÓN:			Nº PLANO:
	MODIFICACIONES	FECHA:	FIRMA:	REVISIÓN:	plegado: acabado:	<b>TRIBECA1P-1800x1000x400-estandar</b>			



This present document and its contents are confidential, and are the exclusive intellectual and / or industrial property of DELVALLE. In addition to any technology, design, invention, work, process, know-how, calculation, manual, method, solution, idea, improvement, drawing, diagram, modification, contribution and, in short, any associated information involving industrial or intellectual property developed or supplied by DELVALLE on the occasion of the quote, order execution or incorporated into the design or operation of the supply. The recipient may not use such property in his favour or in that of a third party for purposes other than the fulfilment of the order and the operation and maintenance of the supply, without the prior written consent of DELVALLE. It is strictly forbidden to totally or partially reproduce this document and to misuse it and / or to show it to third parties. The infringing parties shall be required to pay the corresponding compensation for damages, and any other legal or criminal responsibilities, the infringement may give rise to.

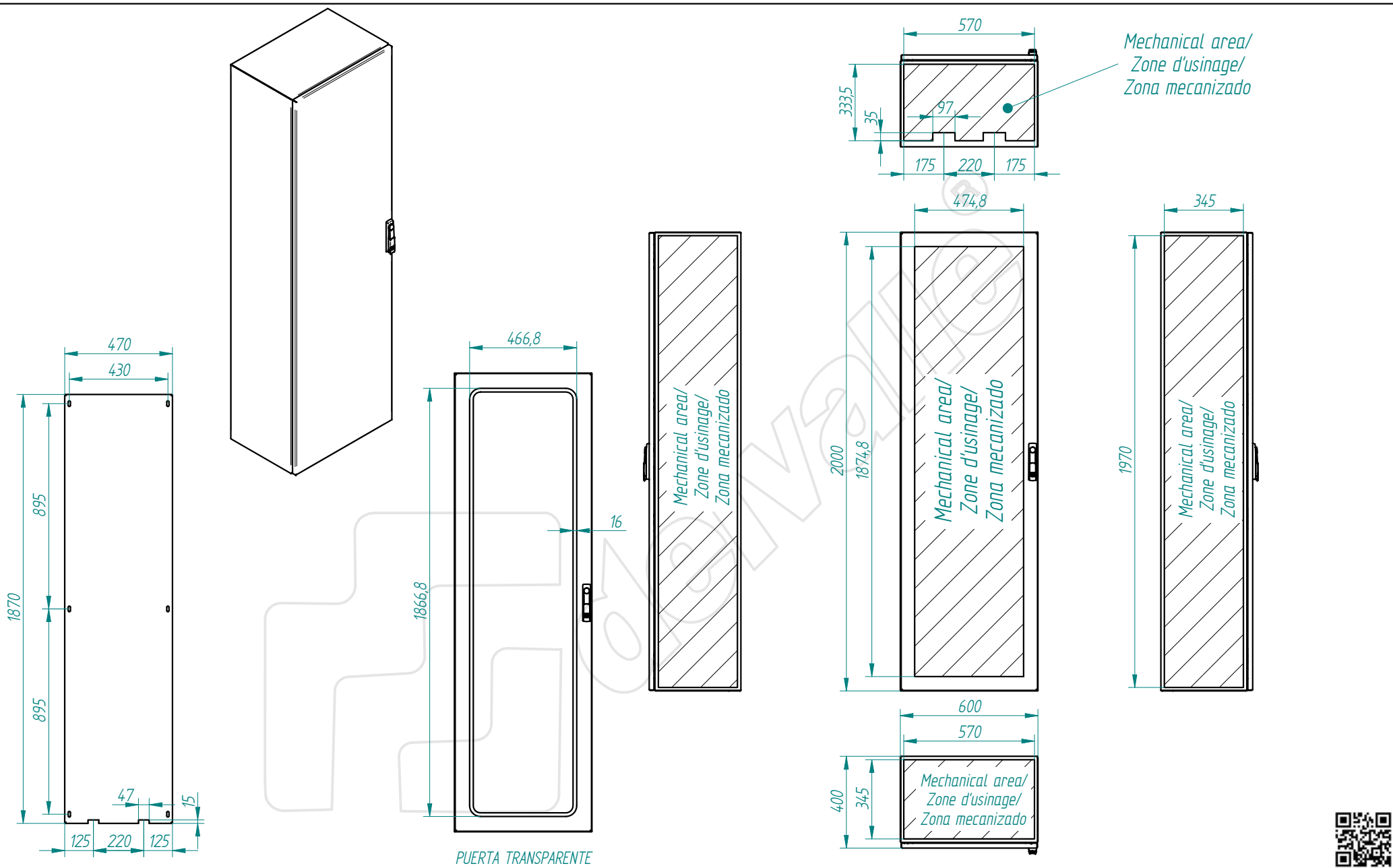


TOLERANCIA GENERAL DE MECANIZACION según DIN 7168	Creación del documento	10/06/2015	D.MTNEZ	A	Referencia: - plegado: - acabado:	DIBUJADO:	FECHA:	FIRMA:	
	MODIFICACIONES	FECHA:	FIRMA:	REVISIÓN:		APROBADO:	10/06/2015	D.Martinez	
DESIGNACIÓN: <b>TRIBECA1P-1800x1000x500-estandar</b>						Nº PLANO:			






This present document and its contents are confidential, and are the exclusive intellectual and / or industrial property of DEVALLE. In addition to any technology, design, invention, work, process, know-how, calculation, manual, method, solution, idea, improvement, drawing, diagram, modification, contribution and, in short, any associated information or documentation involving industrial or intellectual property developed or supplied by DEVALLE on the occasion of the quote, order execution or incorporated into the design or operation of the supply. The recipient may not use such property in his favour or in that of a third party for purposes other than the fulfilment of the order and the operation and maintenance of the supply, without the prior written consent of DEVALLE. It is strictly forbidden to totally or partially reproduce this document and to misuse it and / or to show it to third parties. The infringing parties shall be required to pay the corresponding compensation for damages, and any other legal or criminal, responsible and the infringement may give rise to.

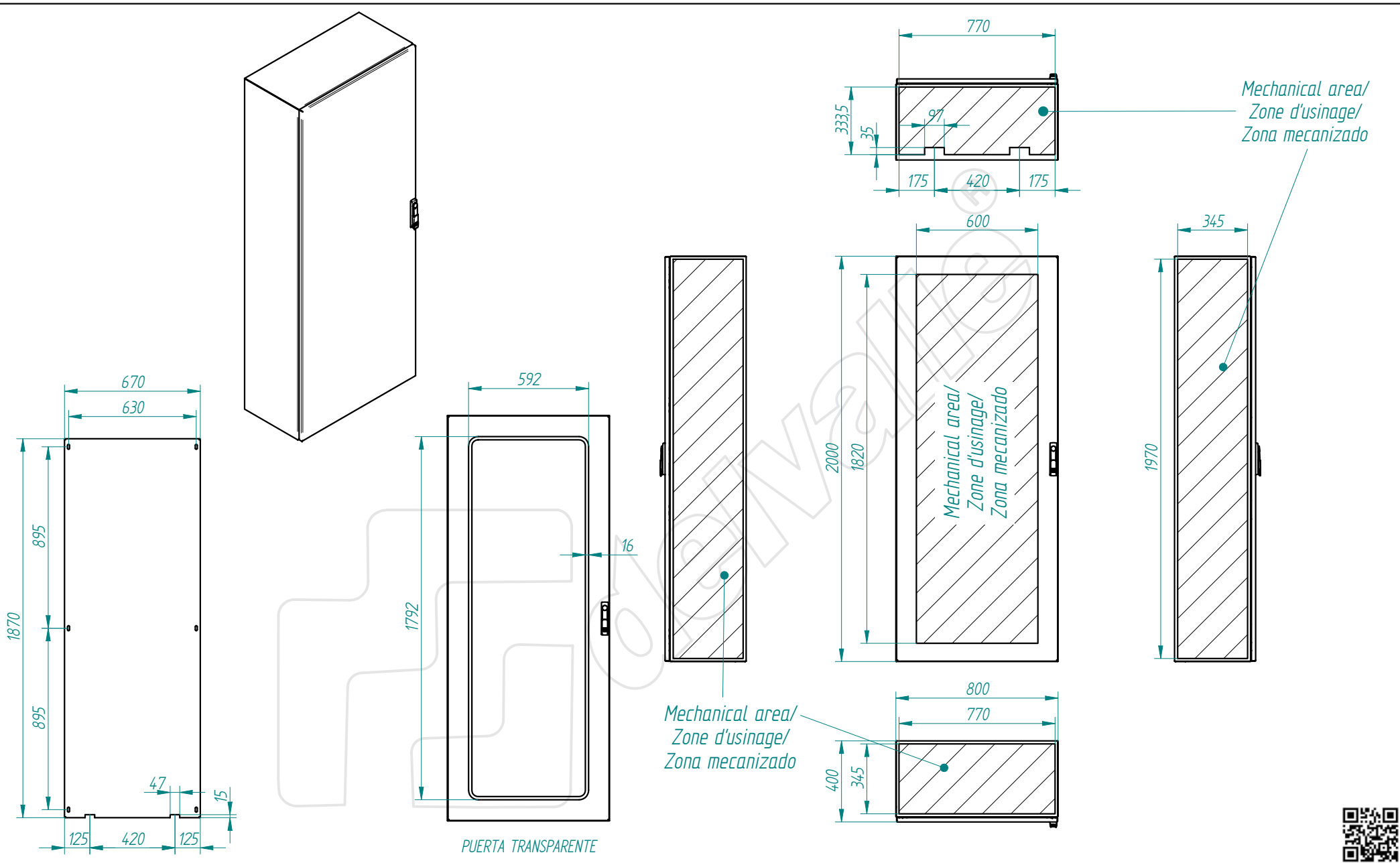



PUERTA TRANSPARENTE

TOLERANCIA GENERAL DE MECANIZACION según DIN 7168	Creación del documento	10/06/2015	D.MTNEZ	A	Referencia: - plegado: - acabado:	DIBUJADO:	10/06/2015	FIRMA:	D.Martínez	 Nº PLANO:
	MODIFICACIONES	FECHA:	FIRMA:	REVISIÓN:		APROBADO:	10/06/2015	D.Martínez		
						DESIGNACIÓN:	TRIBECA1P-2000x600x400-estandar			

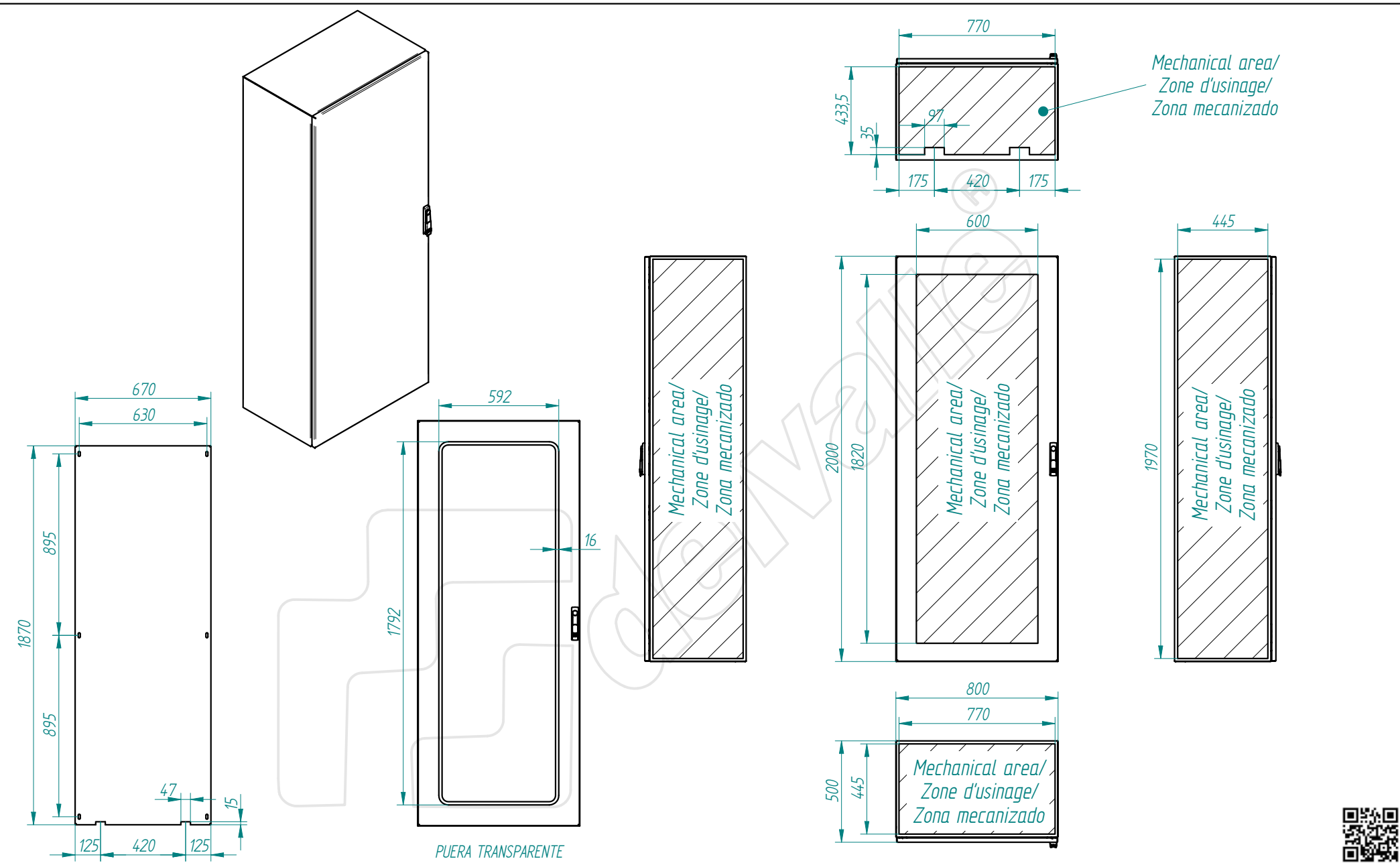



This present document and its contents are confidential, and are the exclusive intellectual and / or industrial property of DELVALLE. In addition to any technology, design, invention, work, process, know-how, calculation, manual, method, solution, idea, improvement, drawing, diagram, modification, contribution and, in short, any associated information involving industrial or intellectual property developed or supplied by DELVALLE on the occasion of the quote, order execution or incorporated into the design or operation of the supply. The recipient may not use such property in his favour or in that of a third party for purposes other than the fulfilment of the order and the operation and maintenance of the supply, without the prior written consent of DELVALLE. It is strictly forbidden to totally or partially reproduce this document and to misuse it and / or to show it to third parties. The infringing parties shall be required to pay the corresponding compensation for damages, and any other legal or criminal responsibilities, the infringement may give rise to.



TOLERANCIA GENERAL DE MECANIZACION según DIN 7168					Referencia:	DIBUJADO:	10/06/2015	FECHA:	10/06/2015	FIRMA:	D.Martínez	
	Creación del documento	10/06/2015	D.MTNEZ	A		-	APROBADO:	10/06/2015			D.Martínez	
MODIFICACIONES		FECHA:	FIRMA:	REVISIÓN:	plegado: acabado:	DESIGNACIÓN: TRIBECA1P-2000x800x400-estandar					Nº PLANO:	

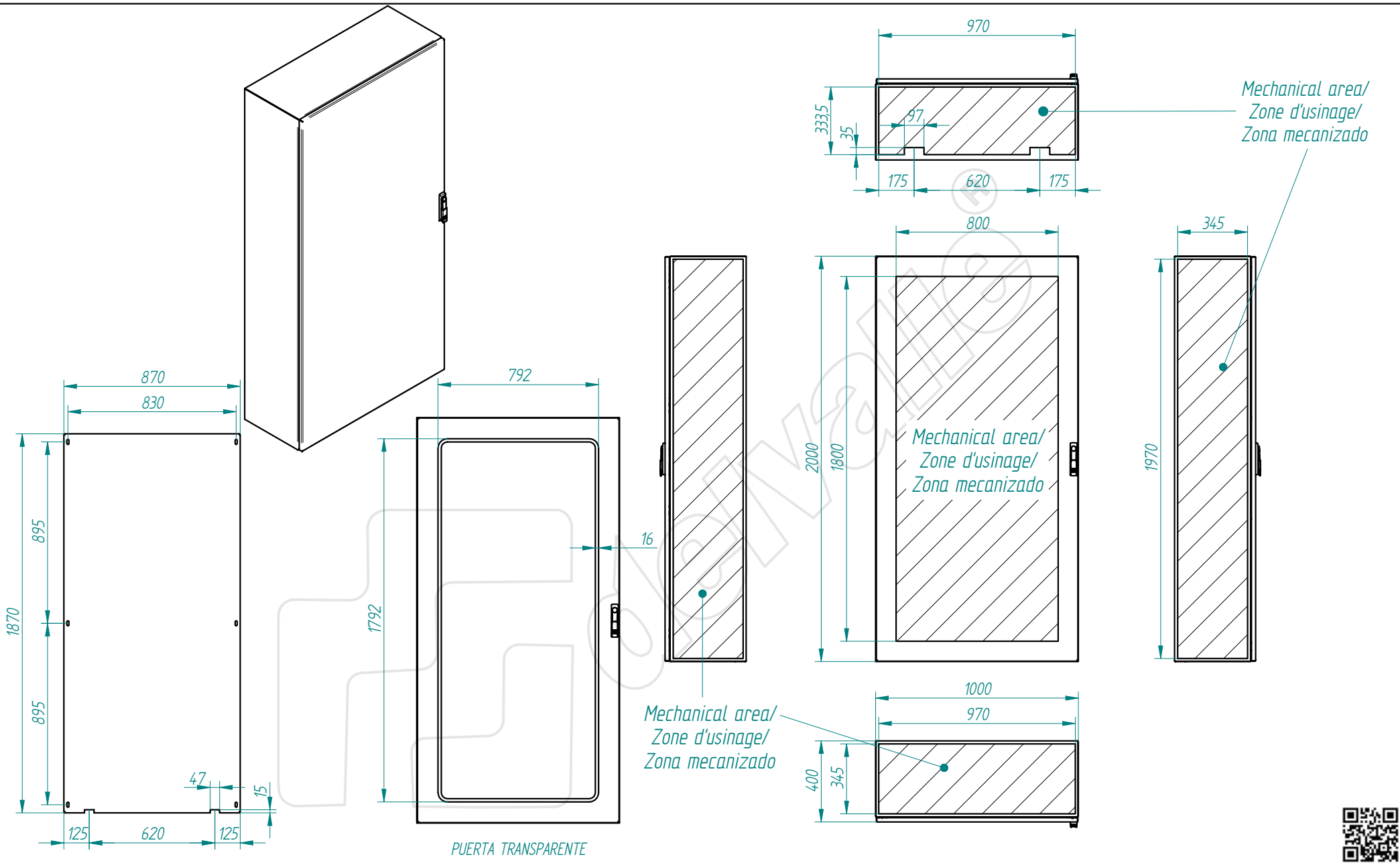
This present document and its contents are confidential, and are the exclusive intellectual and / or industrial property of DELVALLE. In addition to any technology, design, invention, work, process, know-how, calculation, manual, method, solution, idea, improvement, drawing, diagram, modification, contribution and, in short, any associated information or documentation involving industrial or intellectual property developed or supplied by DELVALLE on the occasion of the quote, order execution or incorporated into the design or operation of the supply. The recipient may not use such property in his favour or in that of a third party for purposes other than the fulfilment of the order and the operation and maintenance of the supply, without the prior written consent of DELVALLE. It is strictly forbidden to totally or partially reproduce this document and to misuse it and / or to show it to third parties. The infringing parties shall be required to pay the corresponding compensation for damages, and any other legal or criminal responsibility if the infringement may give rise to.




TOLERANCIA GENERAL DE MECANIZACION según DIN 7168				Referencia:				
					DIBUJADO: 10/06/2015	FECHA: 10/06/2015		FIRMA: D.Martínez
Creación del documento			10/06/2015	D.MTNEZ	A	DESIGNACIÓN: TRIBECA1P-2000x800x500-estandar		Nº PLANO:
MODIFICACIONES			FECHA:	FIRMA:	REVISIÓN:			



This present document and its contents are confidential, and are the exclusive intellectual and / or industrial property of DELVALLE. In addition to any technology, design, invention, work, process, know-how, calculation, manual, method, solution, idea, improvement, drawing, diagram, modification, contribution and, in short, any associated information involving industrial or intellectual property developed or supplied by DELVALLE on the occasion of the quote, order execution or incorporated into the design or operation of the supply. The recipient may not use such property in his favour or in that of a third party for purposes other than the fulfilment of the order and the operation and maintenance of the supply, without the prior written consent of DELVALLE. It is strictly forbidden to totally or partially reproduce this document and to misuse it and / or to show it to third parties. The infringing parties shall be required to pay the corresponding compensation for damages, and any other legal or criminal responsibility that the infringement may give rise to.

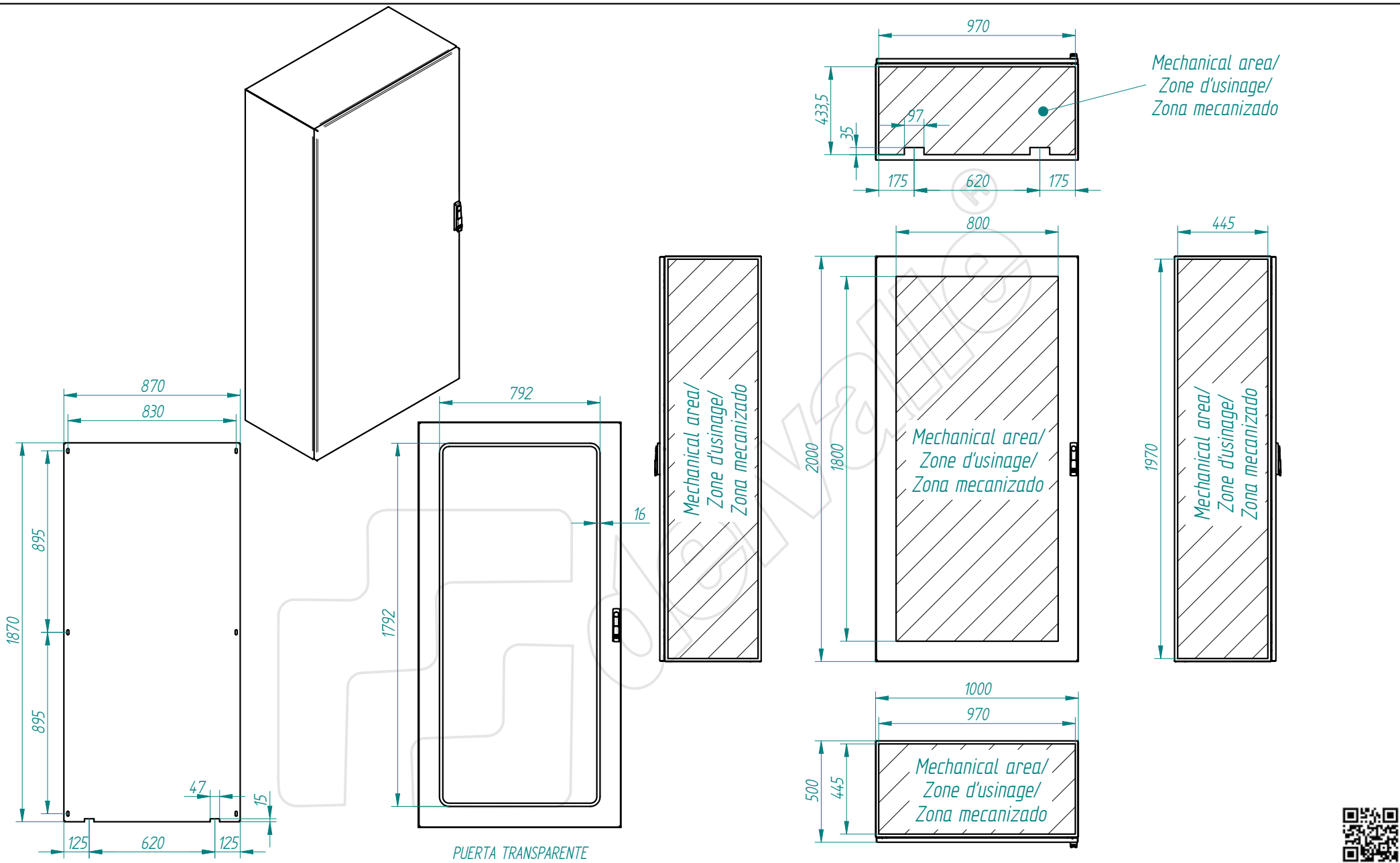



PUERTA TRANSPARENTE

TOLERANCIA GENERAL DE MECANIZACION según DIN 7168	Creación del documento	10/06/2015	D.MTNEZ	A	Referencia: - plegado: - acabado:	DIBUJADO:	10/06/2015	FIRMA: D.Martínez	
	MODIFICACIONES	FECHA:	FIRMA:	REVISIÓN:		APROBADO:	10/06/2015	D.Martínez	
DESIGNACIÓN:						TRIBECA1P-2000x1000x400-estandar			Nº PLANO:



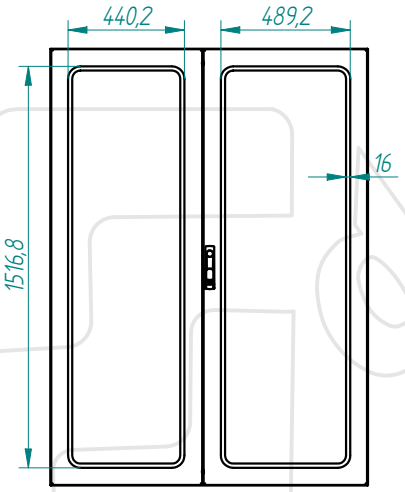
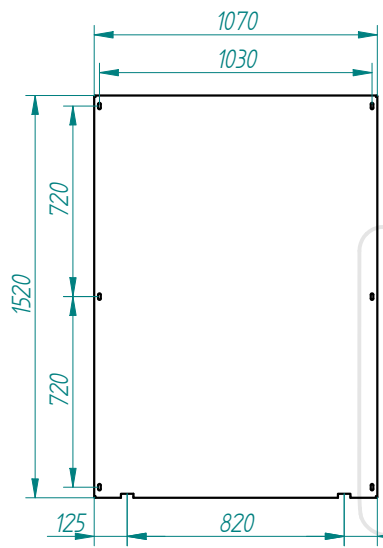
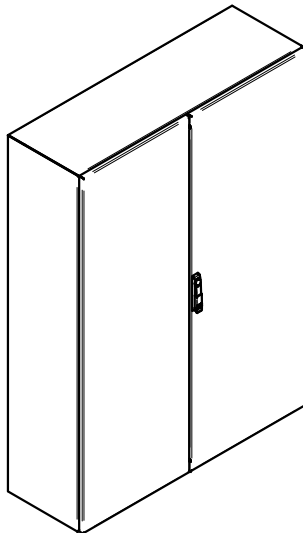
This present document and its contents are confidential, and are the exclusive intellectual and / or industrial property of DEVALLE. In addition to any technology, design, invention, work, process, know-how, calculation, manual, method, solution, idea, improvement, drawing, diagram, modification, contribution and, in short, any associated information involving industrial or intellectual property developed or supplied by DEVALLE on the occasion of the quote, order execution or incorporated into the design or operation of the supply. The recipient may not use such property in his favour or in that of a third party for purposes other than the fulfilment of the order and the operation and maintenance of the supply, without the prior written consent of DEVALLE. It is strictly forbidden to totally or partially reproduce this document and to misuse it and / or to show it to third parties. The infringing parties shall be required to pay the corresponding compensation for damages, and any other legal or criminal responsibilities, the infringement may give rise to.



TOLERANCIA GENERAL DE MECANIZACION según DIN 7168	Creación del documento	10/06/2015	D.MTNEZ	A	Referencia: - plegado: - acabado:	DIBUJADO:	FECHA: 10/06/2015	FIRMA: D.Martínez	
	MODIFICACIONES	FECHA:	FIRMA:	REVISIÓN:		APROBADO:	10/06/2015	D.Martínez	
						DESIGNACIÓN:		TRIBECA1P-2000x1000x500-estandar	

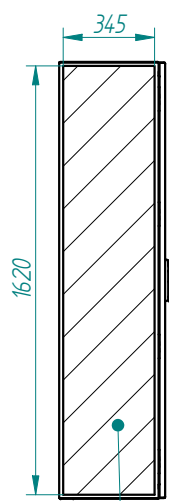
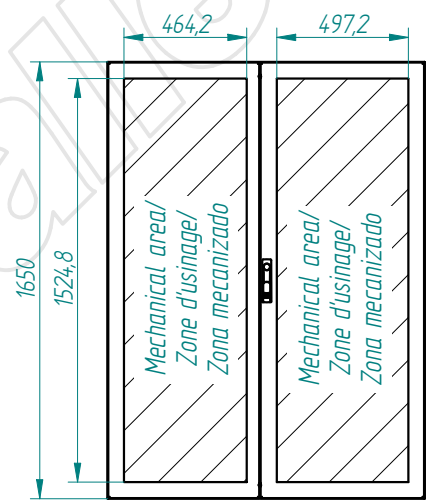
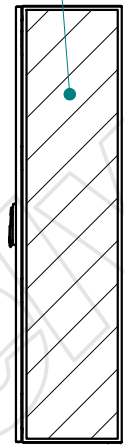
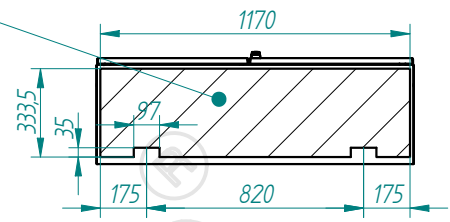


This present document and its contents are confidential, and are the exclusive intellectual and / or industrial property of DELVALLE. In addition to any technology, design, invention, work, process, know-how, calculation, manual, method, solution, idea, improvement, drawing, diagram, modification, contribution and, in short, any associated information or documentation involving industrial or intellectual property developed or supplied by DELVALLE on the occasion of the quote, order execution or incorporated into the design or operation of the supply. The recipient may not use such property in his favour or in that of a third party for purposes other than the fulfilment of the order and the operation and maintenance of the supply, without the prior written consent of DELVALLE. It is strictly forbidden to totally or partially reproduce this document and to misuse it and / or to show it to third parties. The infringing parties shall be required to pay the corresponding compensation for damages and any other legal or criminal responsibility. The infringement may give rise to.

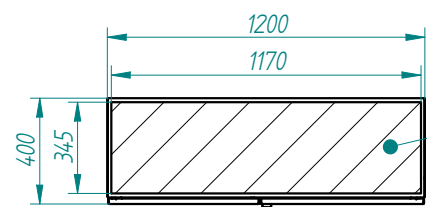



PPUERTAS TRANSPARENTES

Mechanical area/  
Zone d'usinage/  
Zona mecanizado

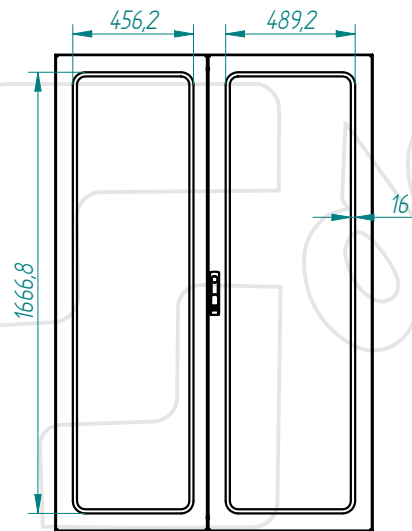
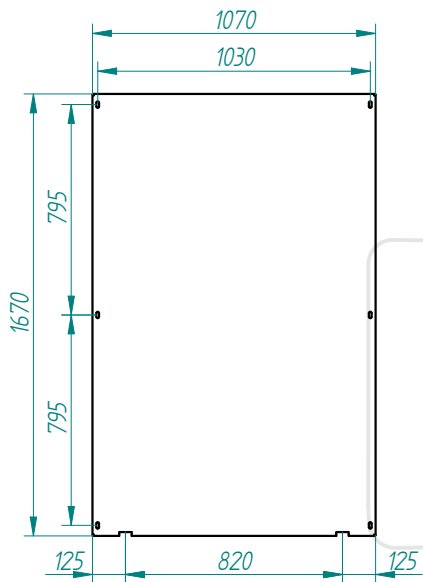
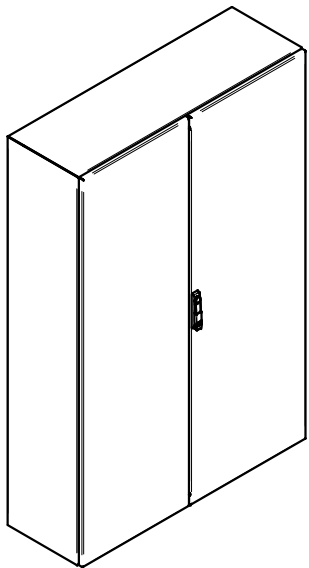


Mechanical area/  
Zone d'usinage/  
Zona mecanizado



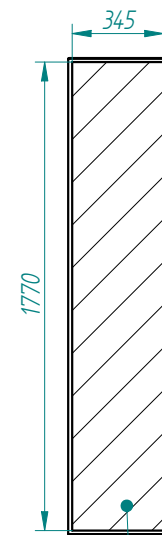
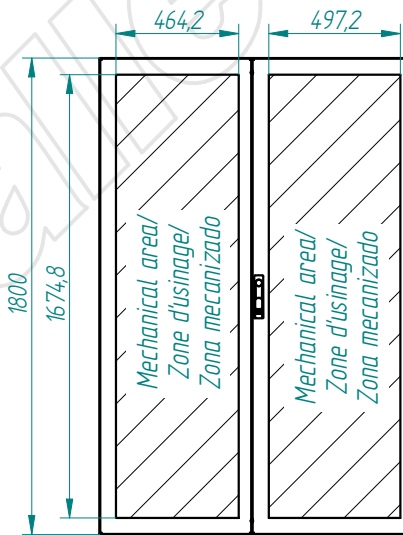
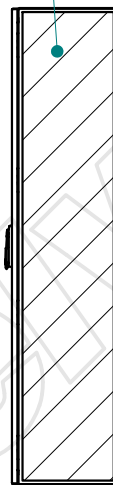
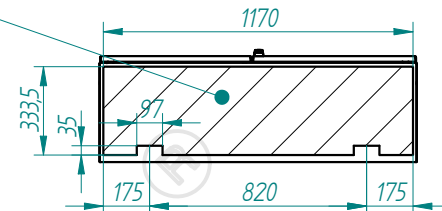
TOLERANCIA GENERAL DE MECANIZACION según DIN 7168	Creación del documento	10/06/2015	D.MTNEZ	A	Referencia: - plegado: - acabado:	DIBUJADO:	FECHA: 10/06/2015	FIRMA: D.Martinez	 N° PLANO:
	MODIFICACIONES	FECHA:	FIRMA:	REVISIÓN:		DESIGNACIÓN: <b>TRIBECA2P-1650x1200x400-estandar</b>	APROBADO:	10/06/2015	

This present document and its contents are confidential, and are the exclusive intellectual and / or industrial property of DELVALLE. In addition to any technology, design, invention, work, process, know-how, calculation, manual, method, solution, idea, improvement, drawing, diagram, modification, contribution and, in short, any associated information or documentation involving industrial or intellectual property developed or supplied by DELVALLE on the occasion of the quote, order execution or incorporated into the design or operation of the supply. The recipient may not use such property in his favour or in that of a third party for purposes other than the fulfilment of the order and the operation and maintenance of the supply, without the prior written consent of DELVALLE. It is strictly forbidden to totally or partially reproduce this document and to misuse it and / or to show it to third parties. The infringing parties shall be required to pay the corresponding compensation for damages, and any other legal or criminal responsibility is the infringement may give rise to.

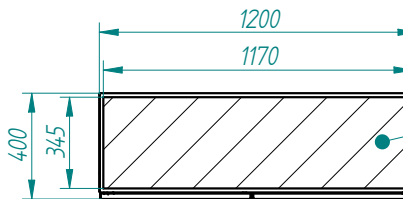



PUERTAS TRANSPARENTES

Mechanical area/  
Zone d'usinage/  
Zona mecanizado



Mechanical area/  
Zone d'usinage/  
Zona mecanizado

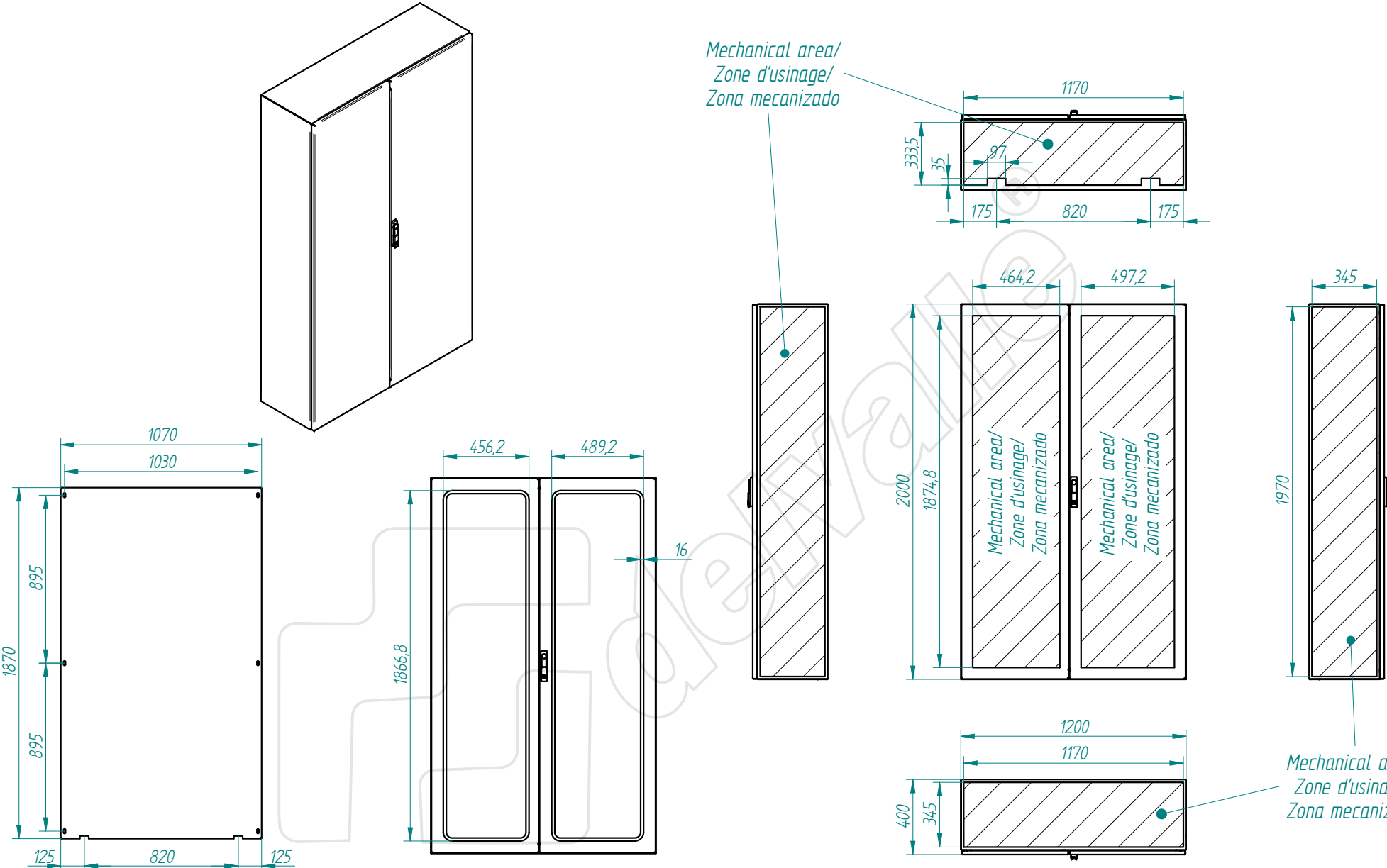


TOLERANCIA GENERAL DE MECANIZACION según DIN 7168	Creación del documento	10/06/2015	D.MTNEZ	A	Referencia: - plegado: - acabado:	DIBUJADO:	FECHA:	FIRMA:	 N° PLANO:
	MODIFICACIONES	FECHA:	FIRMA:	REVISIÓN:		10/06/2015 D.Martínez D.Martínez	TRIBECA2P-1800x1200x400-estandar		





This present document and its contents are confidential, and are the exclusive intellectual and / or industrial property of DELVALLE. In addition to any technology, design, invention, work, process, know-how, calculation, manual, method, solution, idea, improvement, drawing, diagram, modification, contribution and, in short, any associated information or documentation involving industrial or intellectual property developed or supplied by DELVALLE on the occasion of the quote, order execution or incorporated into the design or operation of the supply. The recipient may not use such property in his favour or in that of a third party for purposes other than the fulfilment of the order and the operation and maintenance of the supply, without the prior written consent of DELVALLE. It is strictly forbidden to totally or partially reproduce this document and to misuse it and / or to show it to third parties. The infringing parties shall be required to pay the corresponding compensation for damages, and any other legal or criminal responsibility is the infringement may give rise to.

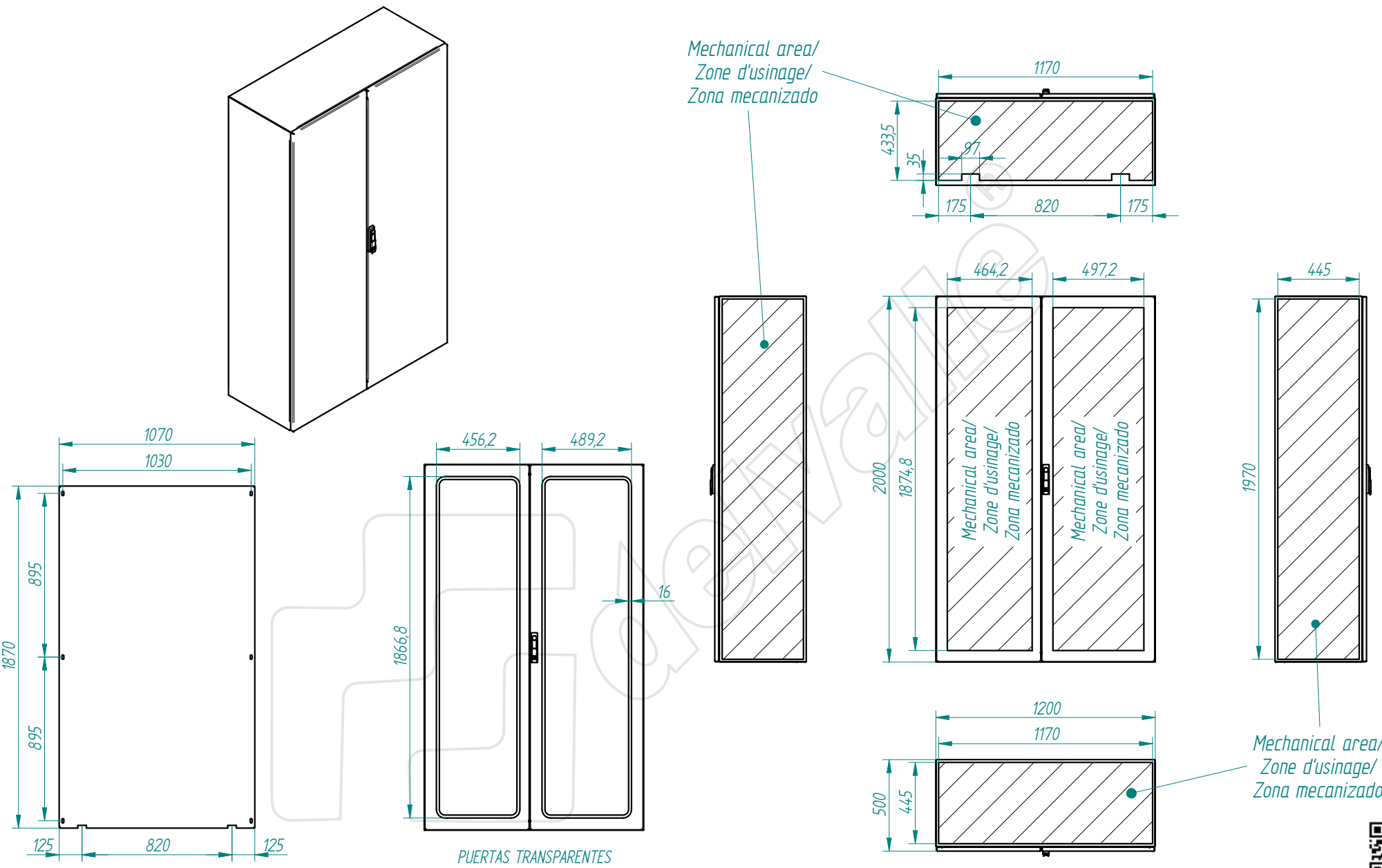


PUERTAS TRANSPARENTES


TOLERANCIA GENERAL DE MECANIZACION según DIN 7168	Creación del documento	10/06/2015	D.MTNEZ	A	Referencia: - plegado: - acabado:	DIBUJADO:	10/06/2015	FIRMA: D.Martínez
	MODIFICACIONES	FECHA:	FIRMA:	REVISIÓN:		APROBADO:	10/06/2015	D.Martínez
DESIGNACIÓN: <b>TRIBECA2P-2000x1200x400-estandar</b>						Nº PLANO:		



This present document and its contents are confidential, and are the exclusive intellectual and / or industrial property of DELVALLE. In addition to any technology, design, invention, work, process, know-how, calculation, manual, method, solution, idea, improvement, drawing, diagram, modification, contribution and, in short, any associated information involving industrial or intellectual property developed or supplied by DELVALLE on the occasion of the quote, order execution or incorporated into the design or operation of the supply. The recipient may not use such property in his favour or in that of a third party for purposes other than the fulfilment of the order and the operation and maintenance of the supply, without the prior written consent of DELVALLE. It is strictly forbidden to totally or partially reproduce this document and to misuse it and / or to show it to third parties. The infringing parties shall be required to pay the corresponding compensation for damages, and any other legal or criminal responsibility is the infringement may give rise to.

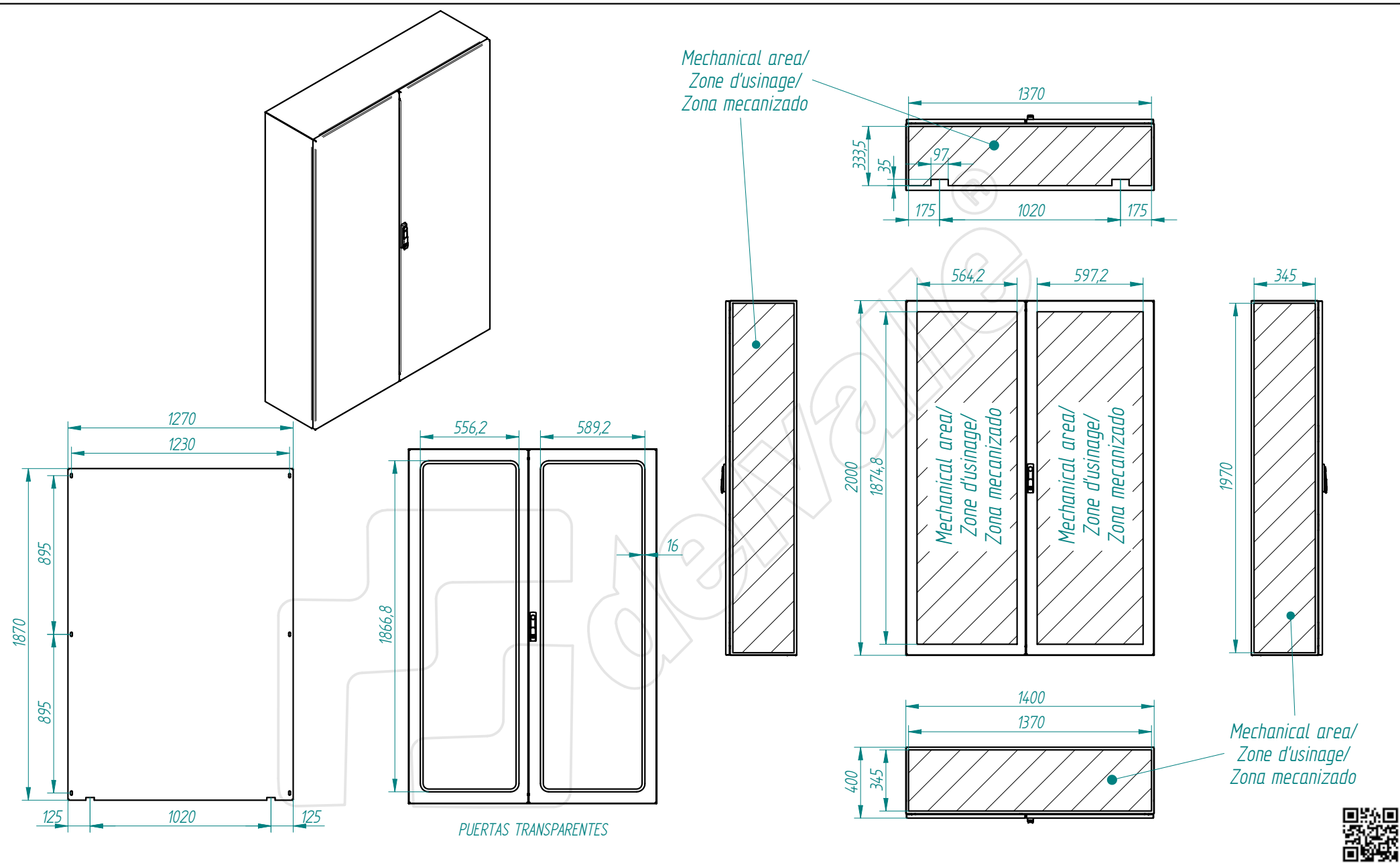


PUERTAS TRANSPARENTES

TOLERANCIA GENERAL DE MECANIZACION según DIN 7168	Creación del documento	10/06/2015	D.MTNEZ	A	Referencia: - plegado: - acabado:	DIBUJADO:	10/06/2015	FIRMA:	D.Martínez	 N° PLANO:
	MODIFICACIONES	FECHA:	FIRMA:	REVISIÓN:		DESIGNACIÓN:	10/06/2015	D.Martínez	TRIBECA2P-2000x1200x500-estandar	



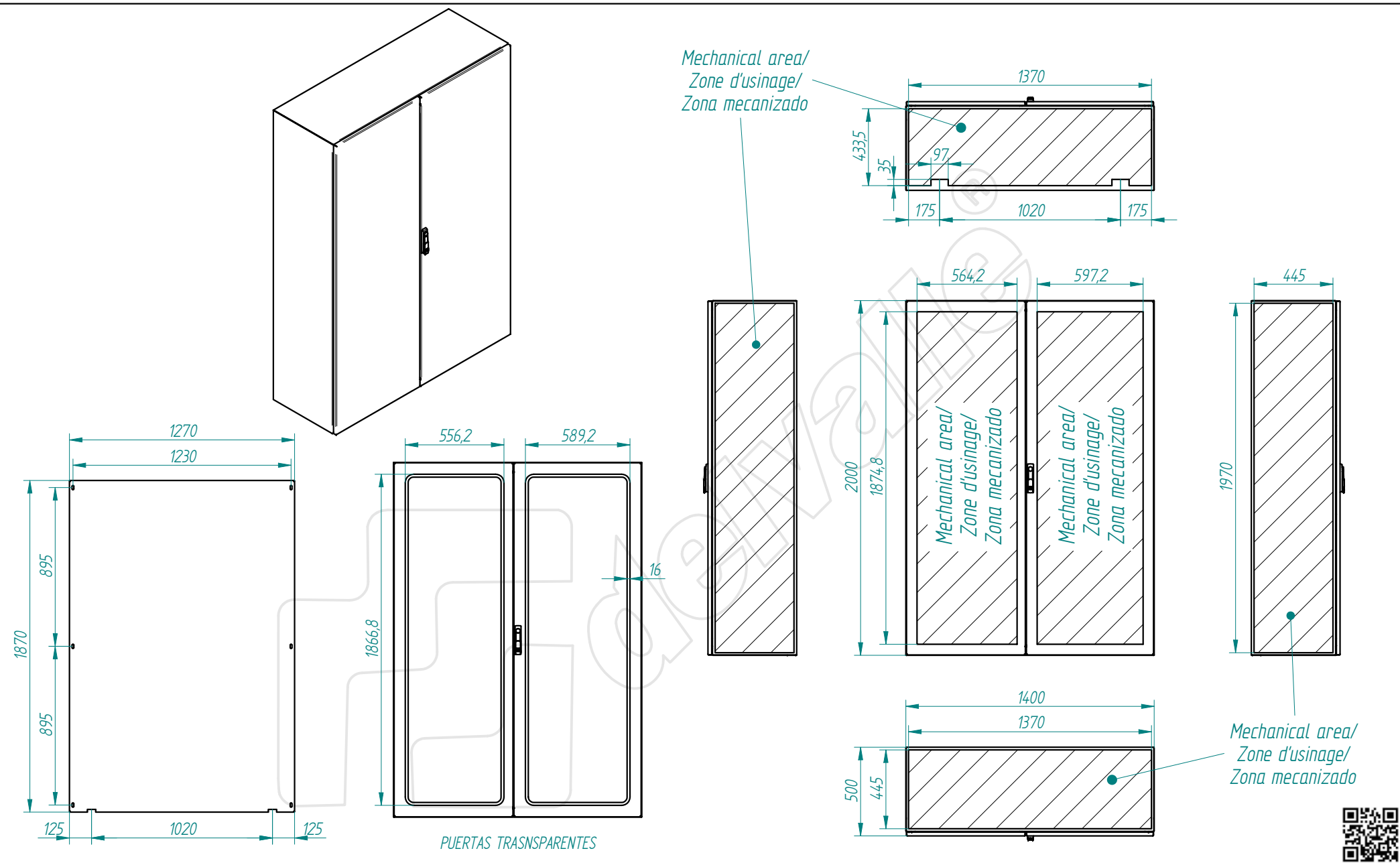
This present document and its contents are confidential, and are the exclusive intellectual and / or industrial property of DELVALLE. In addition to any technology, design, invention, work, process, know-how, calculation, manual, method, solution, idea, improvement, drawing, diagram, modification, contribution and, in short, any associated information involving industrial or intellectual property developed or supplied by DELVALLE on the occasion of the quote, order execution or incorporated into the design or operation of the supply. The recipient may not use such property in his favour or in that of a third party for purposes other than the fulfilment of the order and the operation and maintenance of the supply, without the prior written consent of DELVALLE. It is strictly forbidden to totally or partially reproduce this document and to misuse it and / or to show it to third parties. The infringing parties shall be required to pay the corresponding compensation for damages, and any other legal or criminal responsibilities of the infringer may give rise to.



TOLERANCIA GENERAL DE MECANIZACION según DIN 7168				Referencia:			
					DIBUJADO: 10/06/2015	FIRMA: D.Martinez	
					APROBADO: 10/06/2015	FIRMA: D.Martinez	Nº PLANO:
Creación del documento			10/06/2015	D.MTNEZ	A	DESIGNACIÓN:	
MODIFICACIONES			FECHA:	FIRMA:	REVISIÓN:		



This present document and its contents are confidential, and are the exclusive intellectual and / or industrial property of DELVALLE... in addition to any technology, design, invention, work, process, know-how, calculation, manual, method, solution, idea, improvement, drawing, diagram, modification, contribution and, in short, any associated information involving industrial or intellectual property developed or supplied by DELVALLE on the occasion of the quote, order execution or incorporated into the design or operation of the supply. The recipient may not use such property in his favour or in that of a third party for purposes other than the fulfilment of the order and the operation and maintenance of the supply, without the prior written consent of DELVALLE. It is strictly forbidden to totally or partially reproduce this document and to misuse it and / or to show it to third parties. The infringing parties shall be required to pay the corresponding compensation for damages, and any other legal or criminal responsibility is the infringement may give rise to.

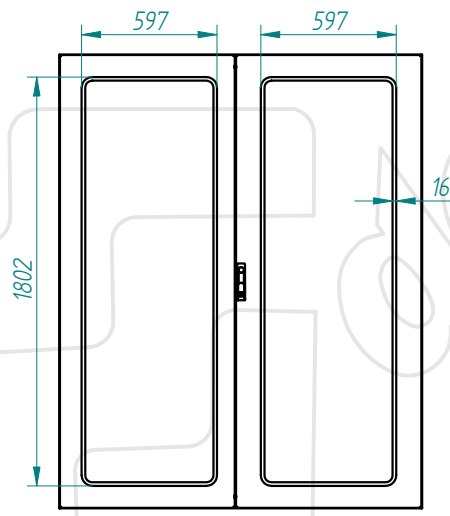
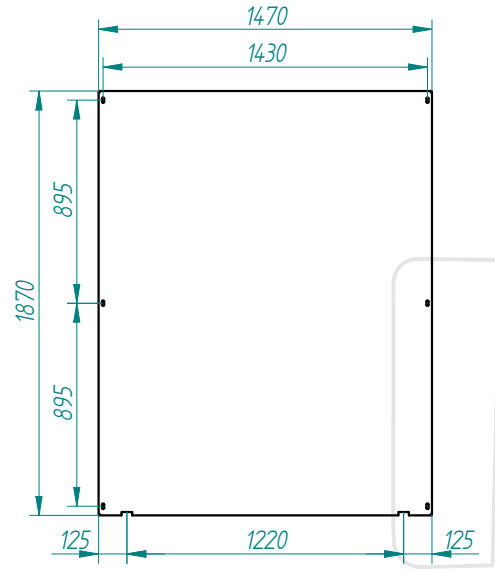
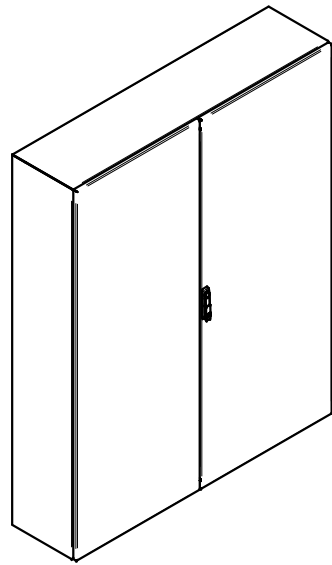


TOLERANCIA GENERAL DE MECANIZACION según DIN 7168	Creación del documento	10/06/2015	D.MTNEZ	A	Referencia: - plegado: - acabado:
	MODIFICACIONES	FECHA:	FIRMA:	REVISIÓN:	

DIBUJADO:	FECHA:	FIRMA:
APROBADO:	10/06/2015	D.Martinez
DESIGNACIÓN:		
TRIBECA2P-2000x1400x500-estandar		

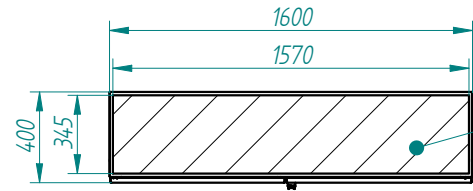
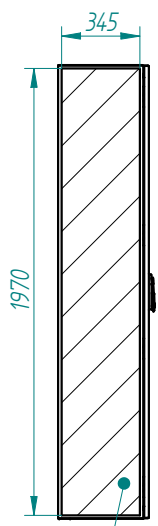
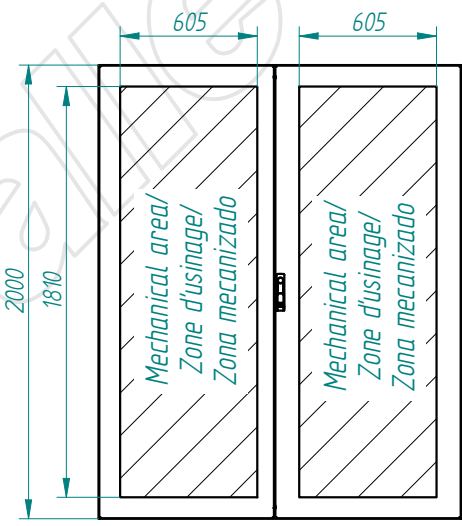
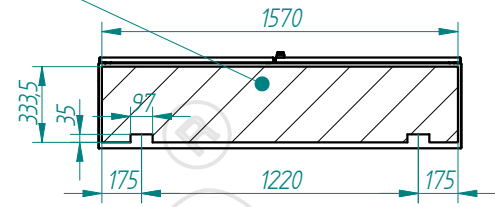
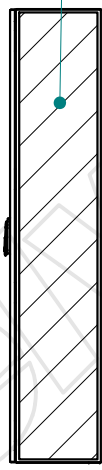
Nº PLANO:

This present document and its contents are confidential, and are the exclusive intellectual and / or industrial property of DELVALLE. In addition to any technology, design, invention, work, process, know-how, calculation, manual, method, solution, idea, improvement, drawing, diagram, modification, contribution and, in short, any associated information or documentation involving industrial or intellectual property developed or supplied by DELVALLE on the occasion of the quote, order execution or incorporated into the design or operation of the supply. The recipient may not use such property in his favour or in that of a third party for purposes other than the fulfilment of the order and the operation and maintenance of the supply, without the prior written consent of DELVALLE. It is strictly forbidden to totally or partially reproduce this document and to misuse it and / or to show it to third parties. The infringing parties shall be required to pay the corresponding compensation for damages, and any other legal or criminal responsibility is the infringer's sole responsibility.




PUERTAS TRANSPARENTES

Mechanical area/  
Zone d'usinage/  
Zona mecanizado

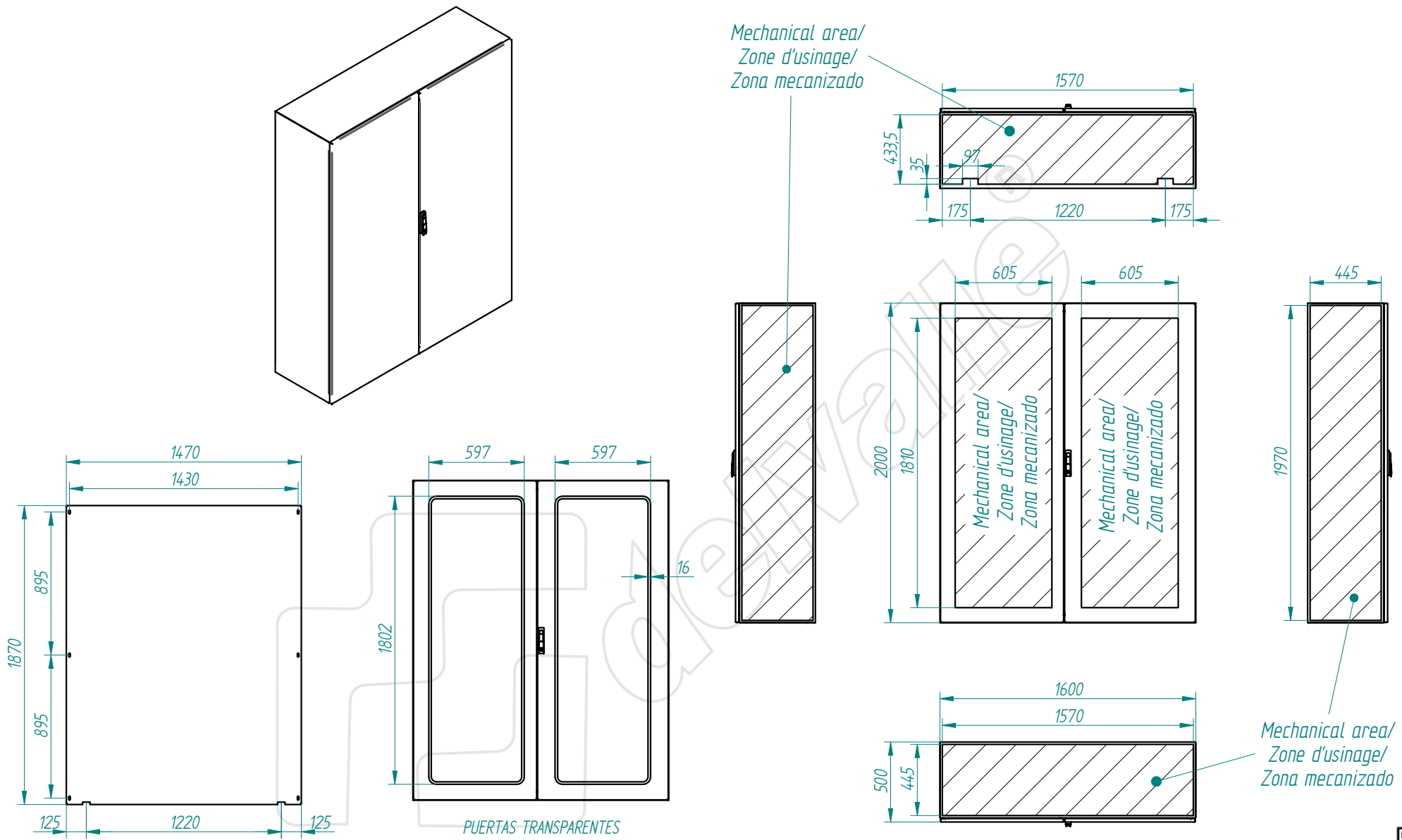


Mechanical area/  
Zone d'usinage/  
Zona mecanizado



TOLERANCIA GENERAL DE MECANIZACION según DIN 7168	Creación del documento	10/06/2015	D.MTNEZ	A	Referencia: - plegado: - acabado:	DIBUJADO:	FECHA:	FIRMA:	 Nº PLANO:
	MODIFICACIONES	FECHA:	FIRMA:	REVISIÓN:		APROBADO:	10/06/2015	D.Martinez	
						DESIGNACIÓN:	TRIBECA 2P-2000x1600x400-estandar		

This present document and its contents are confidential, and are the exclusive intellectual and / or industrial property of DELVALLE. In addition to any technology, design, invention, work, process, know-how, calculation, manual, method, solution, idea, improvement, drawing, diagram, modification, contribution and, in short, any associated information or documentation involving industrial or intellectual property developed or supplied by DELVALLE on the occasion of the quote, order execution or incorporated into the design or operation of the supply. The recipient may not use such property in his favour or in that of a third party for purposes other than the fulfilment of the order and the operation and maintenance of the supply, without the prior written consent of DELVALLE. It is strictly forbidden to totally or partially reproduce this document and to misuse it and / or to show it to third parties. The infringing parties shall be required to pay the corresponding compensation for damages, and any other legal or criminal responsibilities that the infringement may give rise to.



TOLERANCIA GENERAL DE MECANIZACION según DIN 7168	Creación del documento	10/06/2015	D.MTNEZ	A	Referencia: - plegado: - acabado:	DIBUJADO:	10/06/2015	FIRMA: D.Martínez
	MODIFICACIONES	FECHA:	FIRMA:	REVISIÓN:		APROBADO:	10/06/2015	D.Martínez
DESIGNACIÓN: <b>TRIBECA2P-2000x1600x500-estandar</b>						Nº PLANO:		

