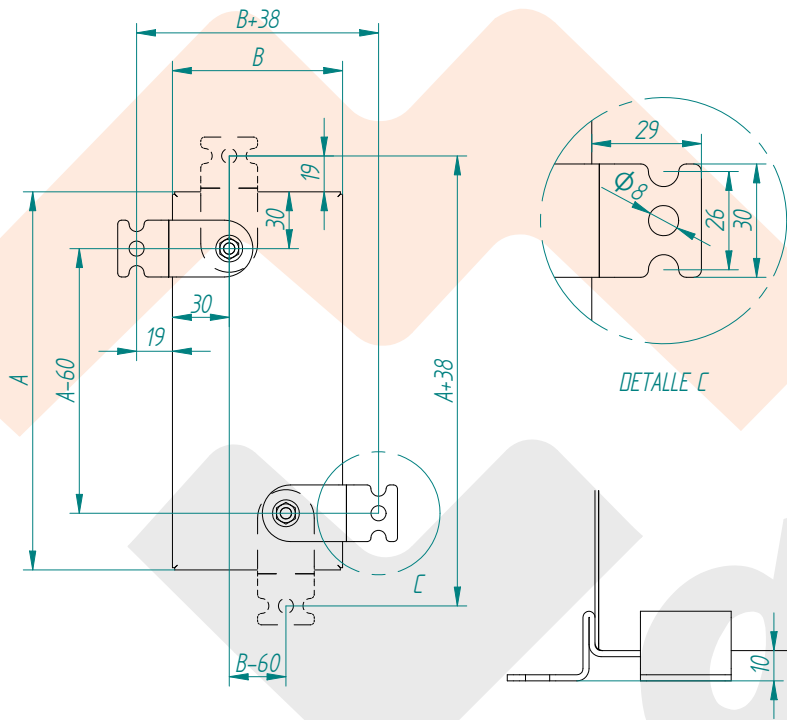
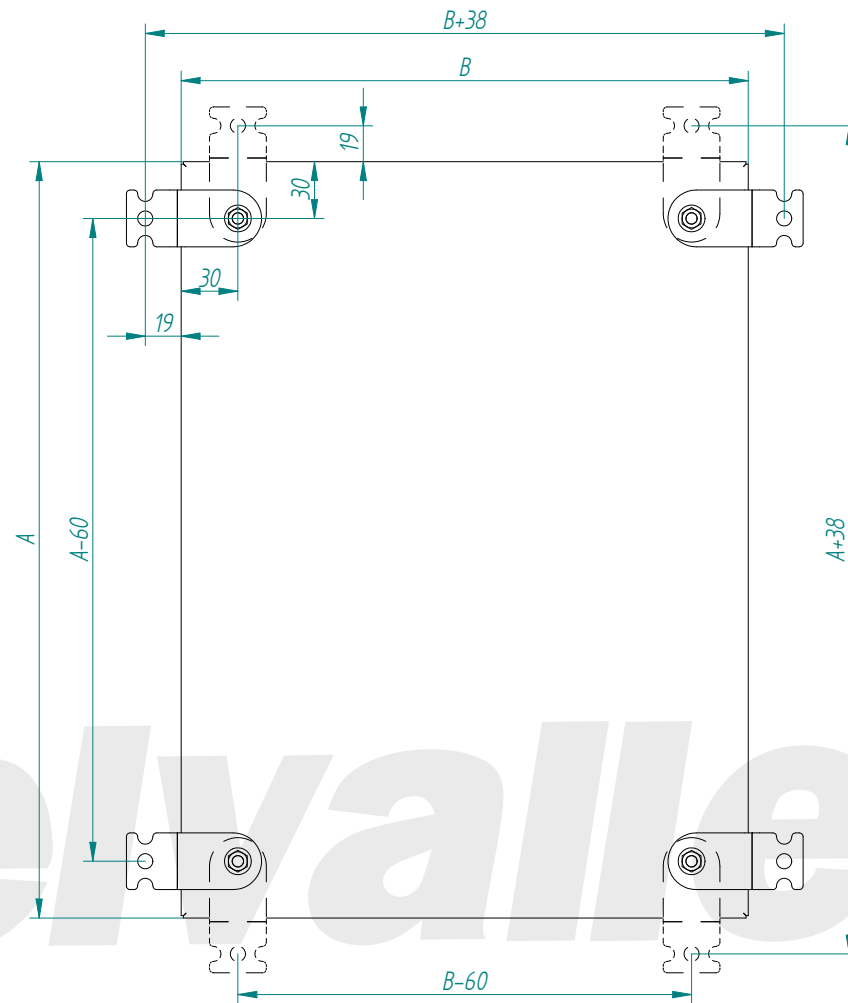


This present document and its contents are confidential and are the exclusive intellectual and / or industrial property of DELVALLE . In addition to any technology, design, invention, work, process, know-how, calculation, manual, method, solution, idea, improvement, drawing, diagram, modification, combination and, in short, any associated information involving industrial or intellectual property developed or supplied by DELVALLE on the occasion of the quote, order execution or incorporated into the design or operation of the supply. The recipient may not use such property in his favour or in that of a third party for purposes other than the fulfilment of the order and the operation and maintenance of the supply without the prior written consent of DELVALLE. It is strictly forbidden to totally or partially reproduce this document and to misuse it and / or to show it to third parties. The infringing parties shall be required to pay the corresponding compensation for damages and any other legal or criminal responsibilities. The infringement may give rise to.



B \ A	<200	=200	>200
<200	X	X	X
=200	X	X	
>200	X		

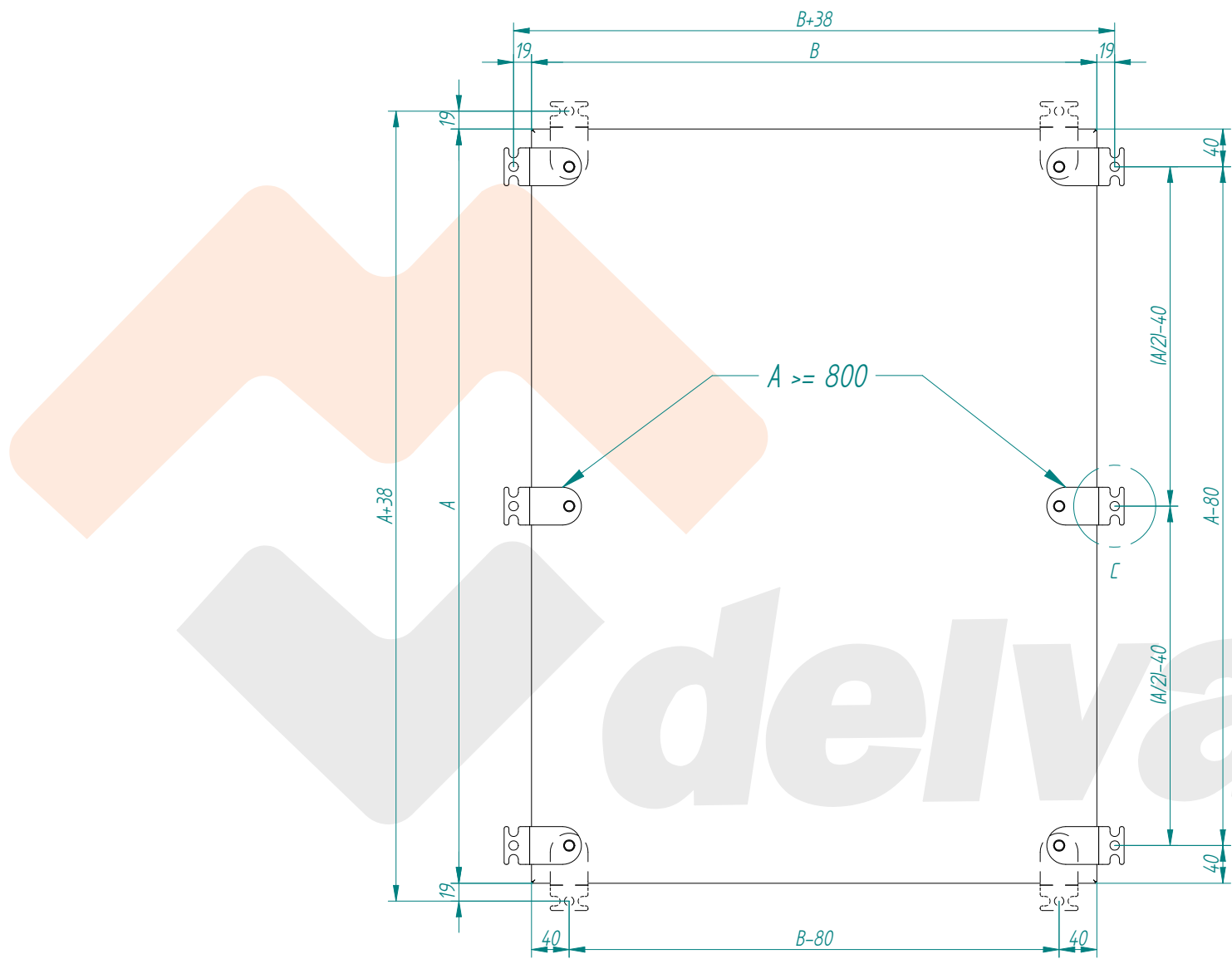


B \ A	<200	=200	>200
<200			
=200			X
>200		X	X

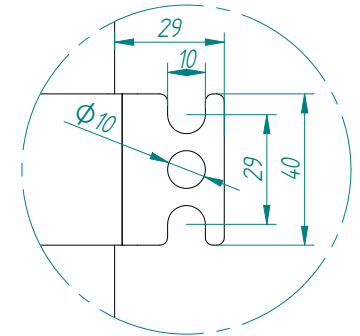


MODIFICATIONS		DATE:	NAME:	REVISION:	Material:	GENERAL TOLERANCE MACHINING according to DIN 7168	DIMENSIONAL UNIT mm	SCALE		
Document creation		15/06/2021	Inaki Beni	A	Weight:	In order to ensure the IP protection of the enclosures, components and / or devices with a similar or higher IP must be installed in all the existing cut-outs.	PLAN NUM:		APPOINTMENT: Mounting brackets GEO	
					IP: (IEC 60529:2004)					
					IK: (IEC 62262:2002)					

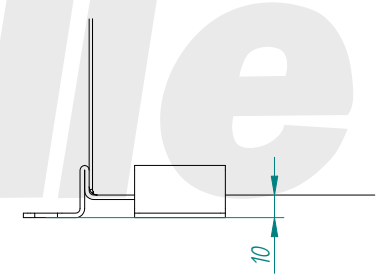
This present document and its contents are confidential and are the exclusive intellectual and / or industrial property of DELVALLE . In addition to any technology, design, invention, work, process, know-how, calculation, manual, method, solution, idea, improvement, drawing, diagram, modification, combination and, in short, any associated information or documentation involving industrial or intellectual property developed or supplied by DELVALLE on the occasion of the quote, order execution or incorporated into the design or operation of the supply. The recipient may not use such property in his favour or in that of a third party for purposes other than the fulfilment of the order and the operation and maintenance of the supply without the prior written consent of DELVALLE. It is strictly forbidden to totally or partially reproduce this document and to misuse it and / or to show it to third parties. The infringing parties shall be required to pay the corresponding compensation for damages and any other legal or criminal responsibilities. The infringement may give rise to.



	4 SOPORTES	6 SOPORTES
A < 800	X	
A = 800		X
A > 800		X



DETALLE C



MODIFICATIONS	DATE:	NAME:	REVISION:	Material:	GENERAL TOLERANCE MACHINING according to DIN 7168	DIMENSIONAL UNIT mm	SCALE		
Document creation	15/06/2021	Inaki Beni	A	Weight:	In order to ensure the IP protection of the enclosures, components and / or devices with a similar or higher IP must be installed in all the existing cut-outs.	PLAN NUM:			
				IP: (IEC 60529:2004)					
				IK: (IEC 62262:2002)					
				APPOINTMENT:	Mounting brackets LUXOR				