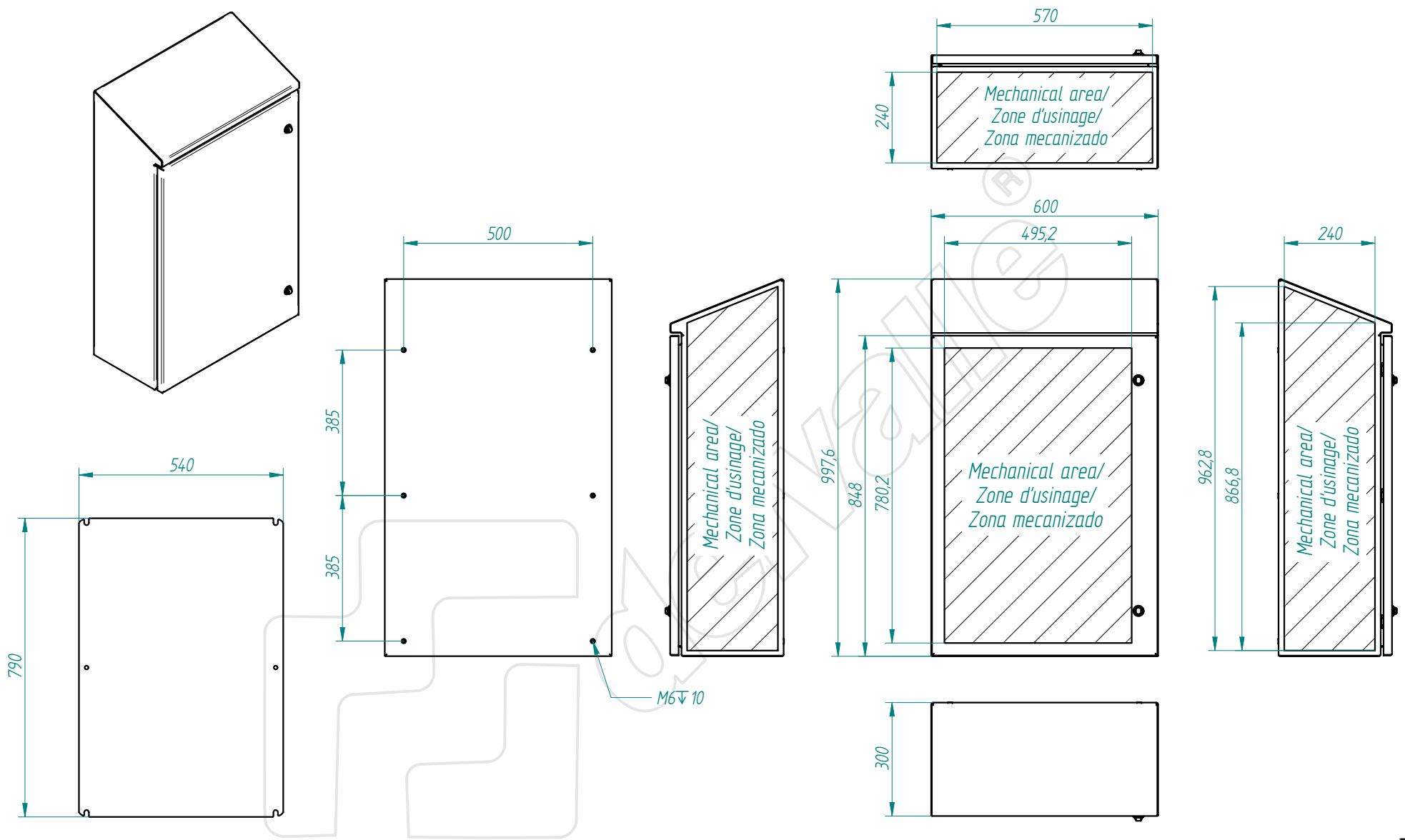



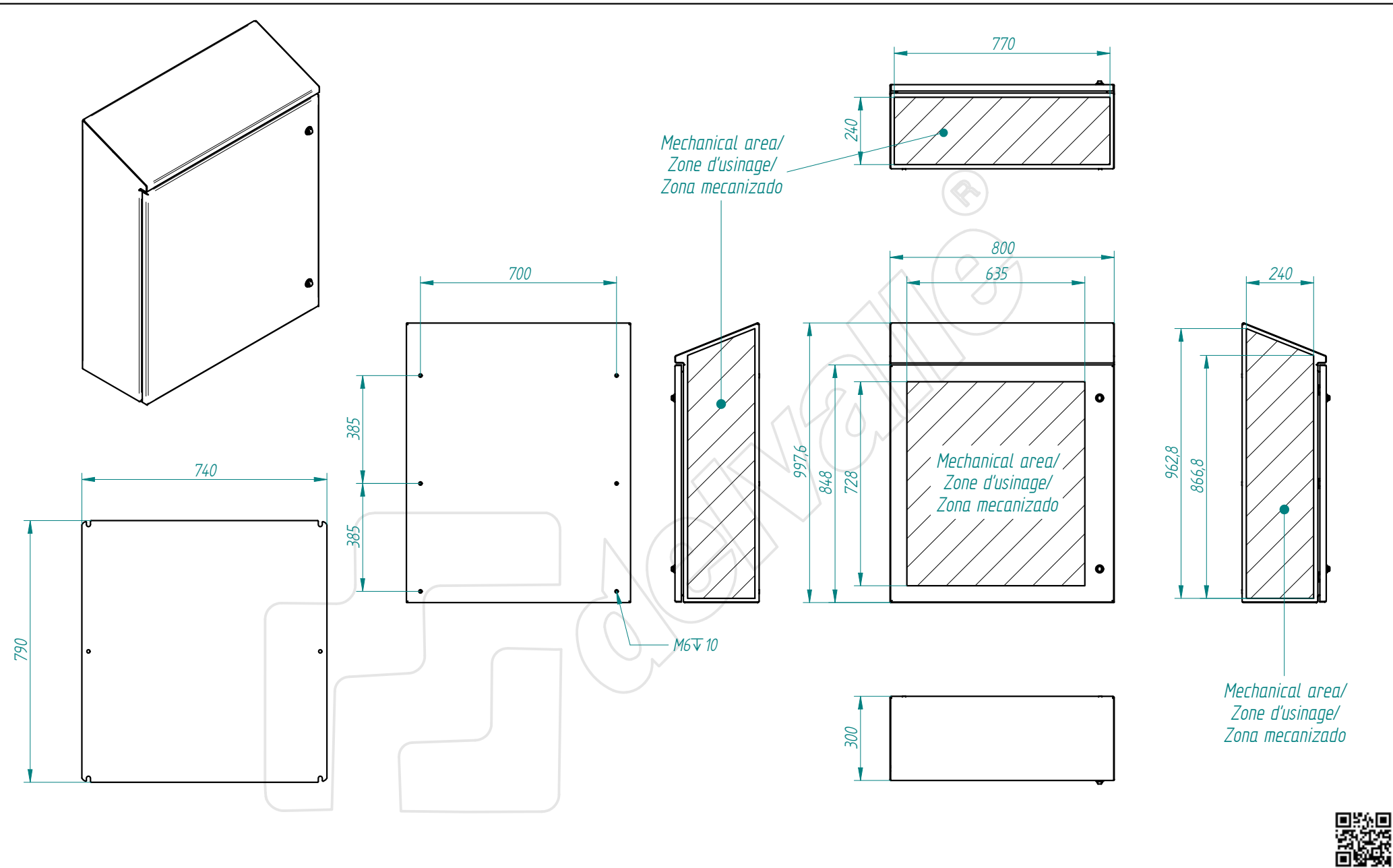
This present document and its contents are confidential, and are the exclusive intellectual and / or industrial property of DELVALLE ., in addition to any technology, design, invention, work, process, know-how, calculation, manual, method, solution, idea, improvement, drawing, diagram, modification and, in short, any associated information or documentation involving industrial or intellectual property developed or supplied by DELVALLE on the occasion of the quote, order execution or incorporated into the design or operation of the supply. The recipient may not use such property in his favour or in that of a third party for purposes other than the fulfilment of the order and the operation and maintenance of the supply, without the prior written consent of DELVALLE. It is strictly forbidden to totally or partially reproduce this document and to misuse it and / or to show it to third parties. The infringing parties shall be required to pay the corresponding compensation for damages, and any other legal or criminal responsibility is the infringement may give rise to.



TOLERANCIA GENERAL DE MECANIZACION según DIN 7168	Creación del documento	23/07/2014	D.MTNEZ	A	Referencia: - plegado: - acabado:	DIBUJADO:	23/07/2014	FIRMA:	D.Martínez	
	MODIFICACIONES	FECHA:	FIRMA:	REVISIÓN:		APROBADO:	23/07/2014	D.Martínez	DESIGNACIÓN:	
						fresh luxor-1000x600x300-estandar				



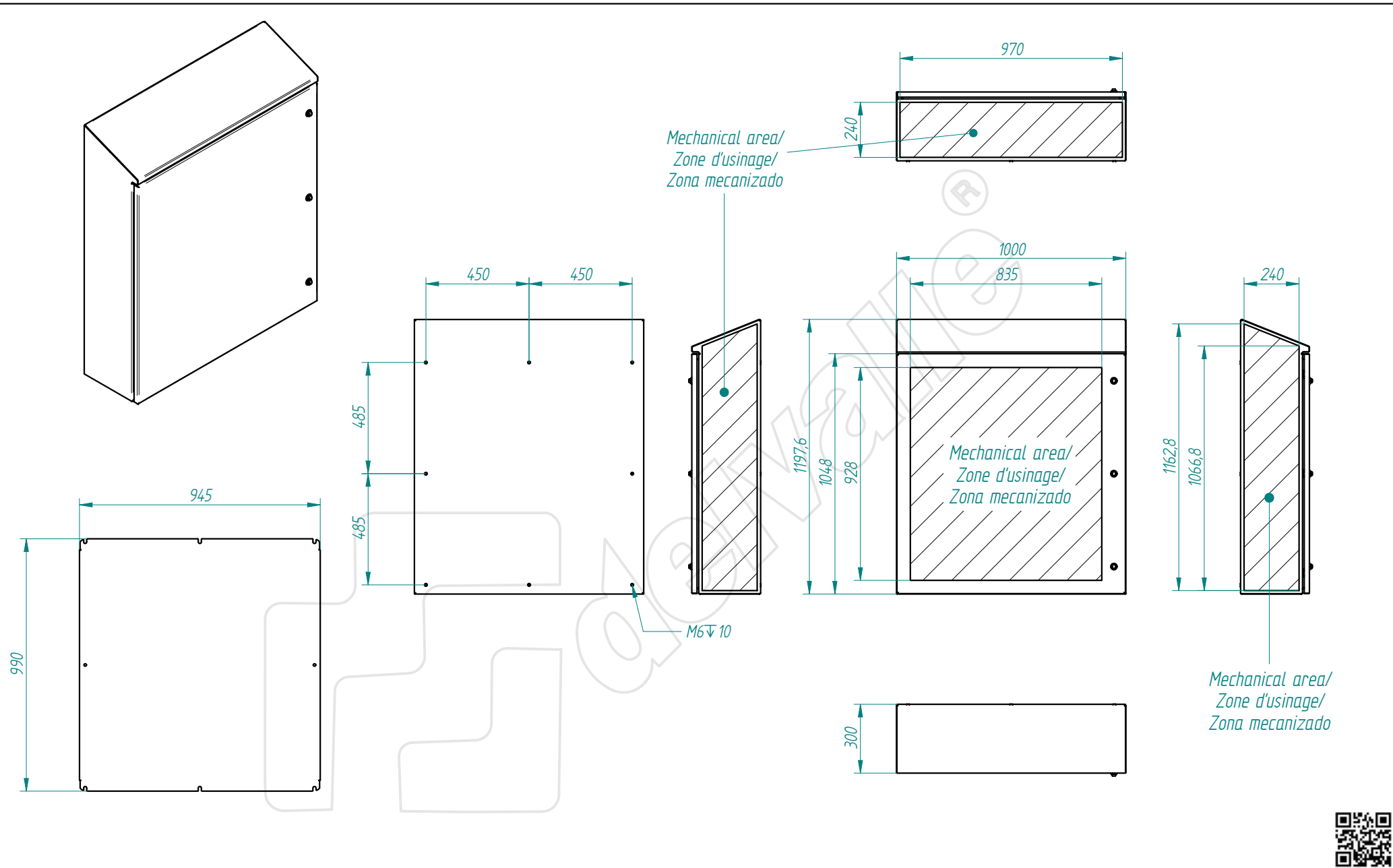
This present document and its contents are confidential, and are the exclusive intellectual and / or industrial property of DELVALLE. In addition to any technology, design, invention, work, process, know-how, calculation, manual, method, solution, idea, improvement, drawing, diagram, modification, contribution and, in short, any associated information or documentation involving industrial or intellectual property developed or supplied by DELVALLE on the occasion of the quote, order execution or incorporated into the design or operation of the supply. The recipient may not use such property in his favour or in that of a third party for purposes other than the fulfilment of the order and the operation and maintenance of the supply, without the prior written consent of DELVALLE. It is strictly forbidden to totally or partially reproduce this document and to misuse it and / or to show it to third parties. The infringing parties shall be required to pay the corresponding compensation for damages, and any other legal or criminal responsibility is the infringement may give rise to.




TOLERANCIA GENERAL DE MECANIZACION según DIN 7168					Referencia:		FECHA:	FIRMA:
						DIBUJADO:	23/07/2014	D.Martinez
						APROBADO:	23/07/2014	D.Martinez
	Creación del documento	23/07/2014	D.MTNEZ	A	-	DESIGNACIÓN:		Nº PLANO:
	MODIFICACIONES	FECHA:	FIRMA:	REVISIÓN:	plegado: acabado:	fresh luxor-1000x800x300-estandar		



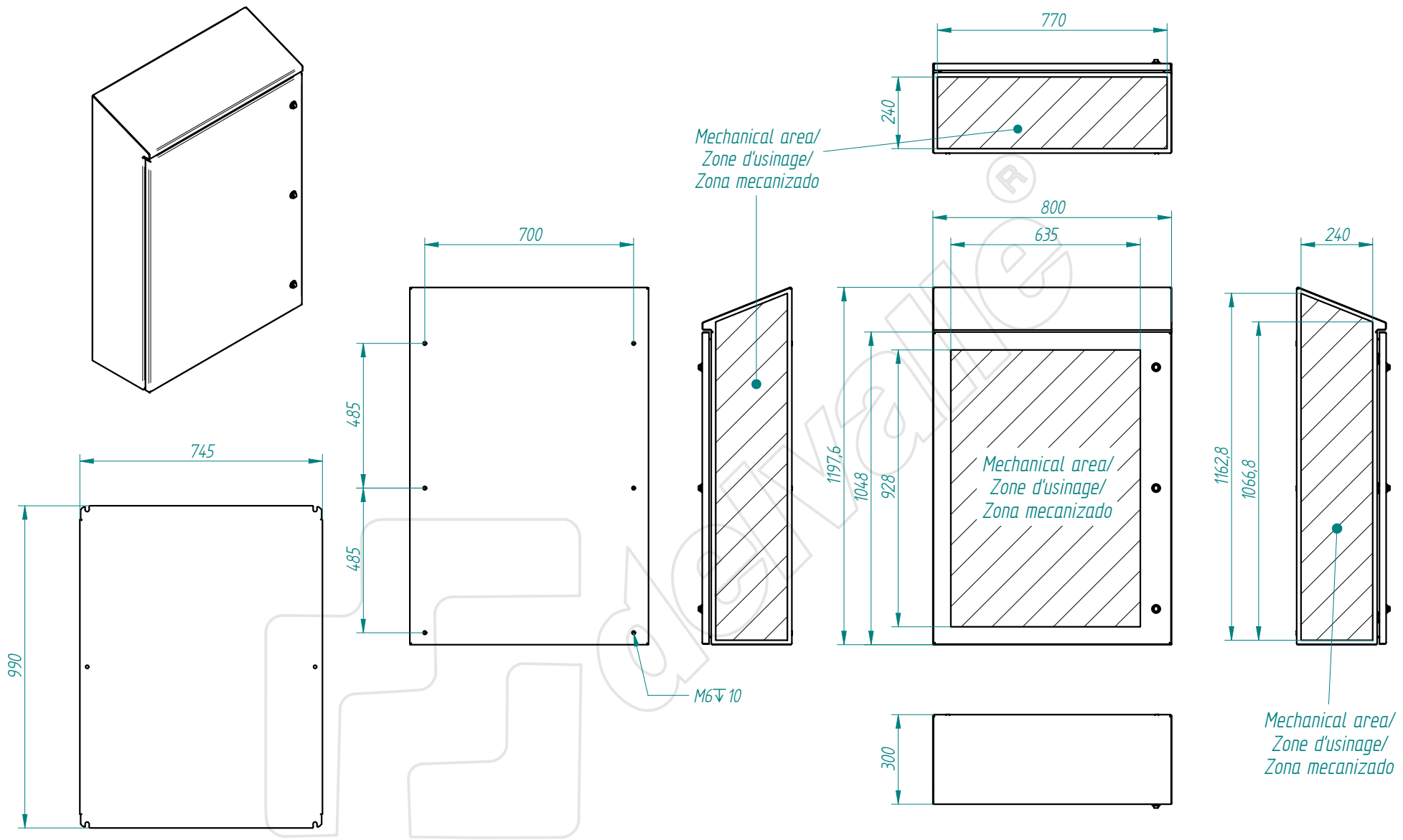
This present document and its contents are confidential, and are the exclusive intellectual and / or industrial property of DELVALLE. In addition to any technology, design, invention, work, process, know-how, calculation, manual, method, solution, idea, improvement, drawing, diagram, modification, contribution and, in short, any associated information or documentation involving industrial or intellectual property developed or supplied by DELVALLE on the occasion of the quote, order execution or incorporated into the design or operation of the supply. The recipient may not use such property in his favour or in that of a third party for purposes other than the fulfilment of the order and the operation and maintenance of the supply, without the prior written consent of DELVALLE. It is strictly forbidden to totally or partially reproduce this document and to misuse it and / or to show it to third parties. The infringing parties shall be required to pay the corresponding compensation for damages, and any other legal or criminal responsibility is the infringement may give rise to.



TOLERANCIA GENERAL DE MECANIZACION según DIN 7168					Referencia:		FECHA:	FIRMA:	
						DIBUJADO:	23/07/2014	D.Martinez	
						APROBADO:	23/07/2014	D.Martinez	
	Creación del documento	23/07/2014	D.MTNEZ	A	-	DESIGNACIÓN:			Nº PLANO:
	MODIFICACIONES	FECHA:	FIRMA:	REVISIÓN:	plegado: acabado:	fresh luxor-1200x1000x300-estandar			



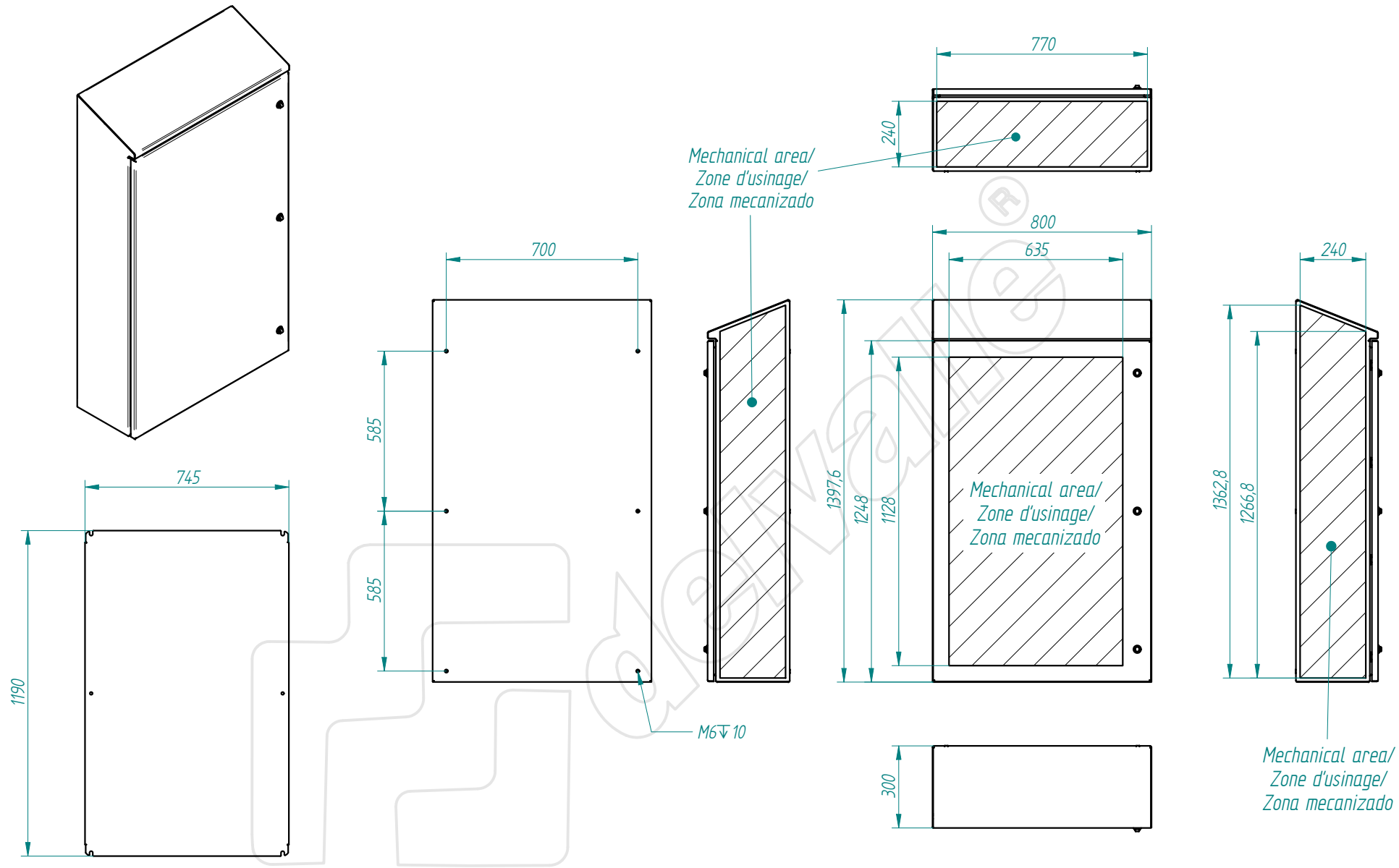
This present document and its contents are confidential, and are the exclusive intellectual and / or industrial property of DELVALLE. In addition to any technology, design, invention, work, process, know-how, calculation, manual, solution, idea, improvement, drawing, diagram, modification, contribution and, in short, any associated information or documentation involving industrial or intellectual property developed or supplied by DELVALLE on the occasion of the quote, order execution or incorporated into the design or operation of the supply. The recipient may not use such property in his favour or in that of a third party for purposes other than the fulfilment of the order and the operation and maintenance of the supply, without the prior written consent of DELVALLE. It is strictly forbidden to totally or partially reproduce this document and to misuse it and / or to show it to third parties. The infringing parties shall be required to pay the corresponding compensation for damages, and any other legal or criminal responsibility if the infringement may give rise to.




TOLERANCIA GENERAL DE MECANIZACION según DIN 7168	Creación del documento	23/07/2014	D.MTNEZ	A	Referencia: - plegado: - acabado:	DIBUJADO:	23/07/2014	FIRMA: D.Martinez
	MODIFICACIONES	FECHA:	FIRMA:	REVISIÓN:		APROBADO:	23/07/2014	D.Martinez
DESIGNACIÓN: fresh luxor-1200x800x300-estandar						Nº PLANO:		

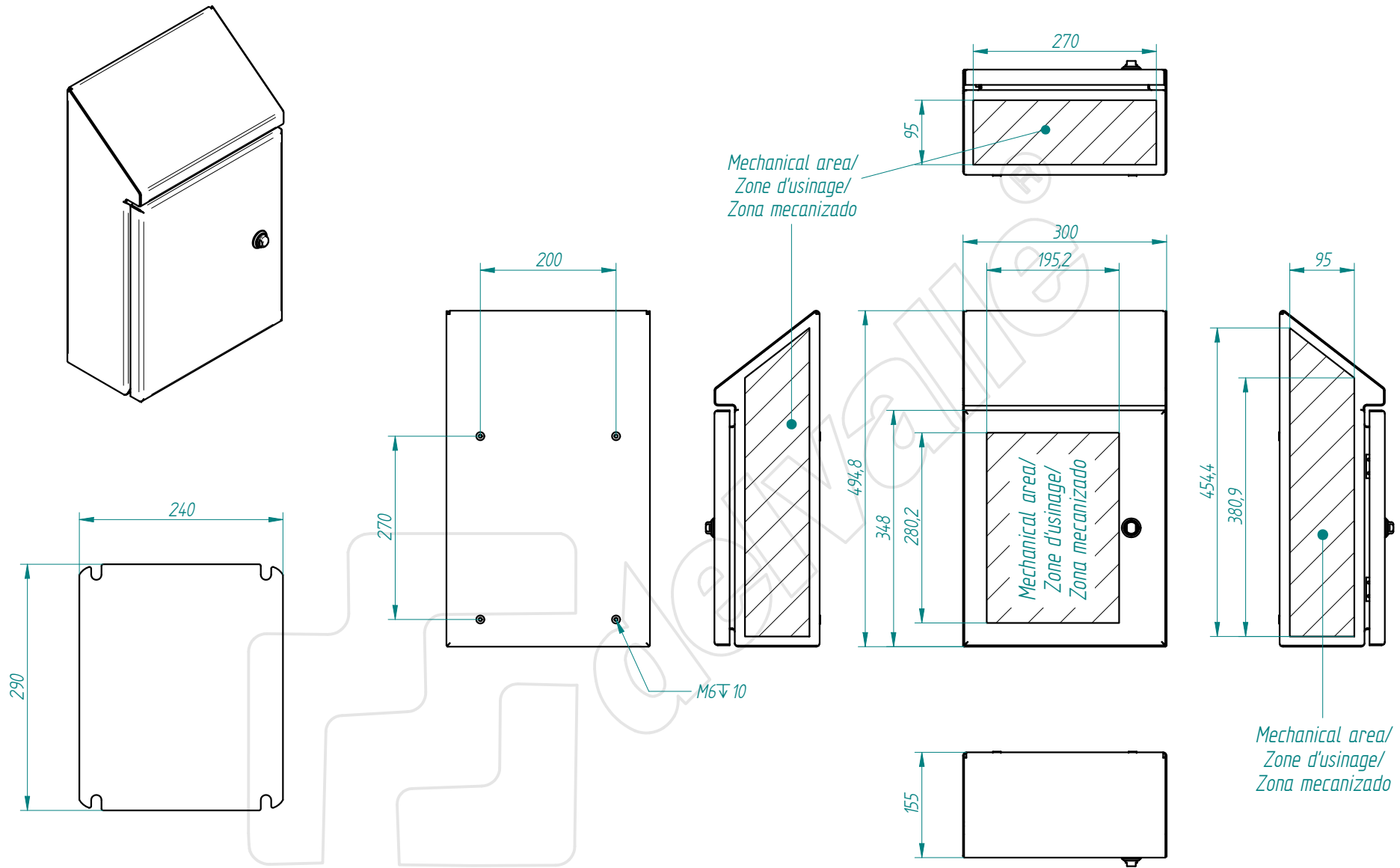



This present document and its contents are confidential, and are the exclusive intellectual and / or industrial property of DELVALLE. In addition to any technology, design, invention, work, process, know-how, calculation, manual, method, solution, idea, improvement, drawing, diagram, modification, contribution and, in short, any associated information or documentation involving industrial or intellectual property developed or supplied by DELVALLE on the occasion of the quote, order execution or incorporated into the design or operation of the supply. The recipient may not use such property in his favour or in that of a third party for purposes other than the fulfilment of the order and the operation and maintenance of the supply, without the prior written consent of DELVALLE. It is strictly forbidden to totally or partially reproduce this document and to misuse it and / or to show it to third parties. The infringing parties shall be required to pay the corresponding compensation for damages and any other legal or criminal responsibility. The infringement may give rise to.



TOLERANCIA GENERAL DE MECANIZACION segun DIN 7168	Creación del documento	23/07/2014	D.MTNEZ	A	Referencia: - plegado: - acabado:	DIBUJADO:	23/07/2014	FIRMA:	D.Martínez	 N° PLANO:
	MODIFICACIONES	FECHA:	FIRMA:	REVISIÓN:		APROBADO:	23/07/2014	D.Martínez		
DESIGNACIÓN:						fresh luxor-1400x800x300-estandar				

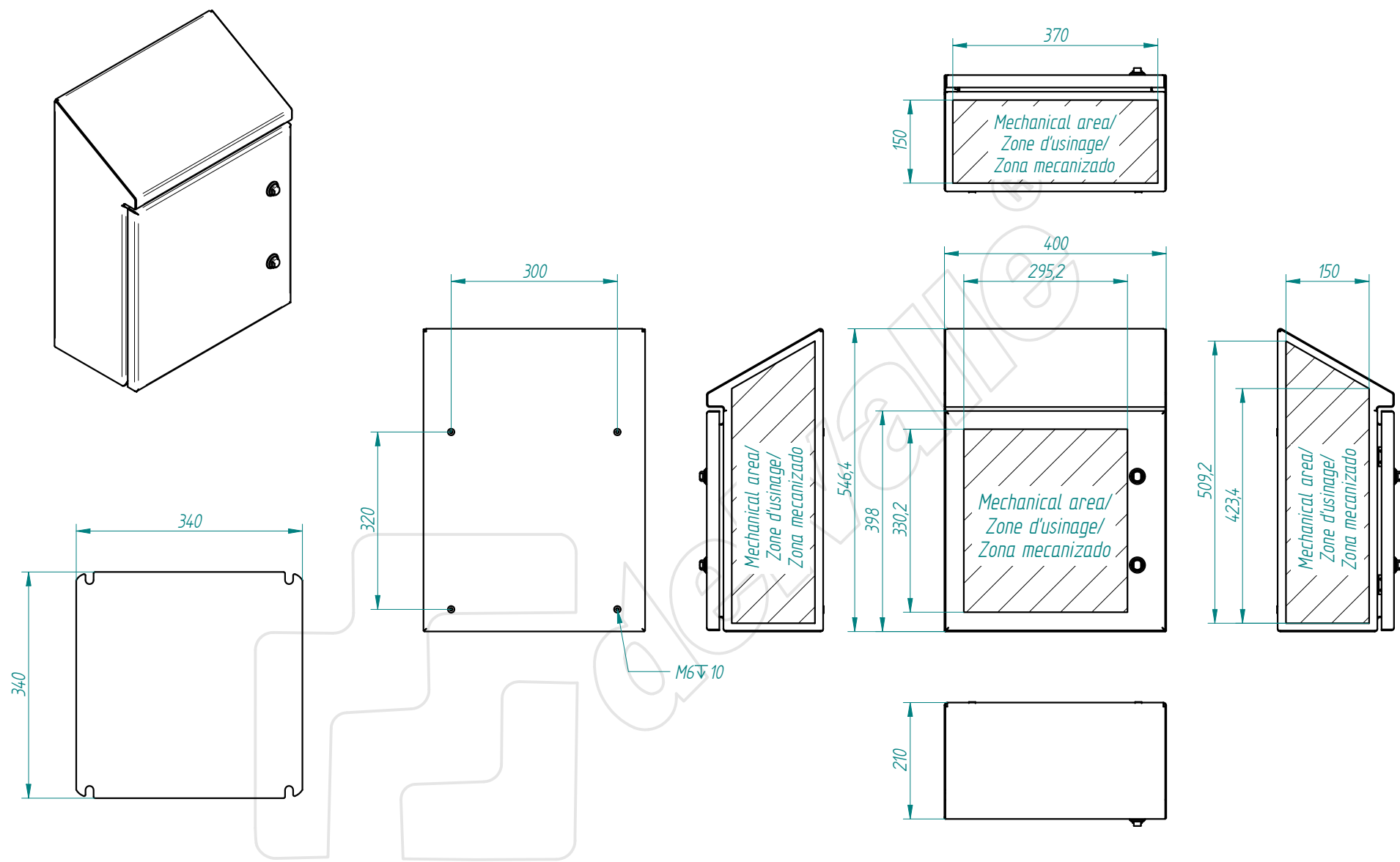
This present document and its contents are confidential, and are the exclusive intellectual and / or industrial property of DEVALLE. In addition to any technology, design, invention, work, process, know-how, calculation, manual, method, solution, idea, improvement, drawing, diagram, modification, contribution and, in short, any associated information or documentation involving industrial or intellectual property developed or supplied by DEVALLE on the occasion of the quote, order execution or incorporated into the design or operation of the supply. The recipient may not use such property in his favour or in that of a third party for purposes other than the fulfilment of the order and the operation and maintenance of the supply, without the prior written consent of DEVALLE. It is strictly forbidden to totally or partially reproduce this document and to misuse it and / or to show it to third parties. The infringing parties shall be required to pay the corresponding compensation for damages, and any other legal or criminal responsibilities. The infringement may give rise to.



TOLERANCIA GENERAL DE MECANIZACION segun DIN 7168	Creación del documento	23/07/2014	D.MTNEZ	A	Referencia: - plegado: acabado.	DIBUJADO:	FECHA:	FIRMA:	 N° PLANO:
	MODIFICACIONES	FECHA:	FIRMA:	REVISIÓN:		APROBADO:	23/07/2014	D.Martinez	
						DESIGNACIÓN:	23/07/2014	D.Martinez	
						fresh luxor-500x300x155-estandar			

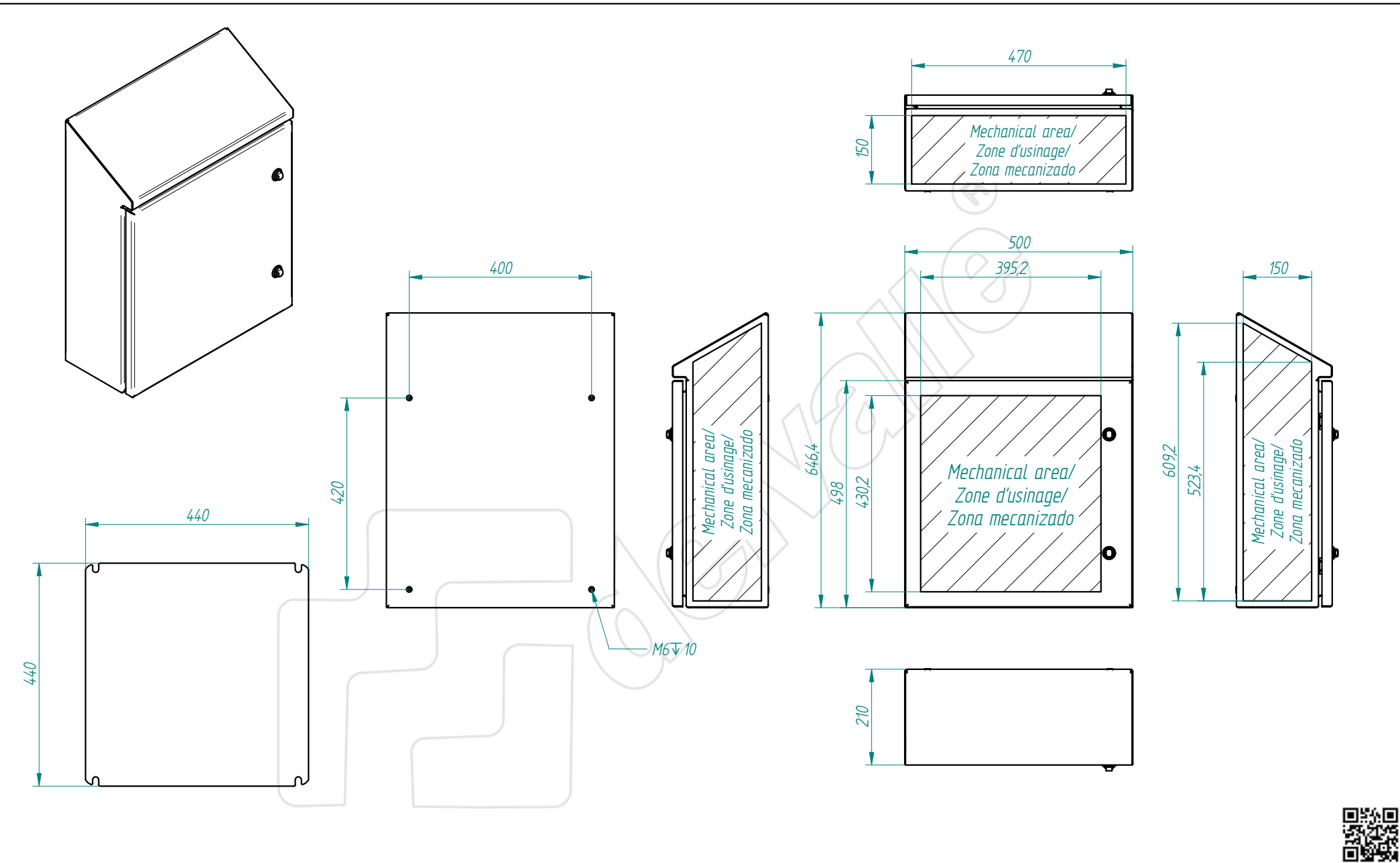



This present document and its contents are confidential, and are the exclusive intellectual and / or industrial property of DEVALLE... in addition to any technology, design, invention, work, process, know-how, calculation, manual, method, solution, idea, improvement, drawing, modification, contribution and, in short, any associated information or documentation involving industrial or intellectual property developed or supplied by DEVALLE on the occasion of the quote, order execution or incorporated into the design or operation of the supply. The recipient may not use such property in his favour or in that of a third party for purposes other than the fulfilment of the order and the operation and maintenance of the supply, without the prior written consent of DEVALLE. It is strictly forbidden to totally or partially reproduce this document and to misuse it and / or to show it to third parties. The infringing parties shall be required to pay the corresponding compensation for damages, and any other legal or criminal responsibilities, the infringement may give rise to.



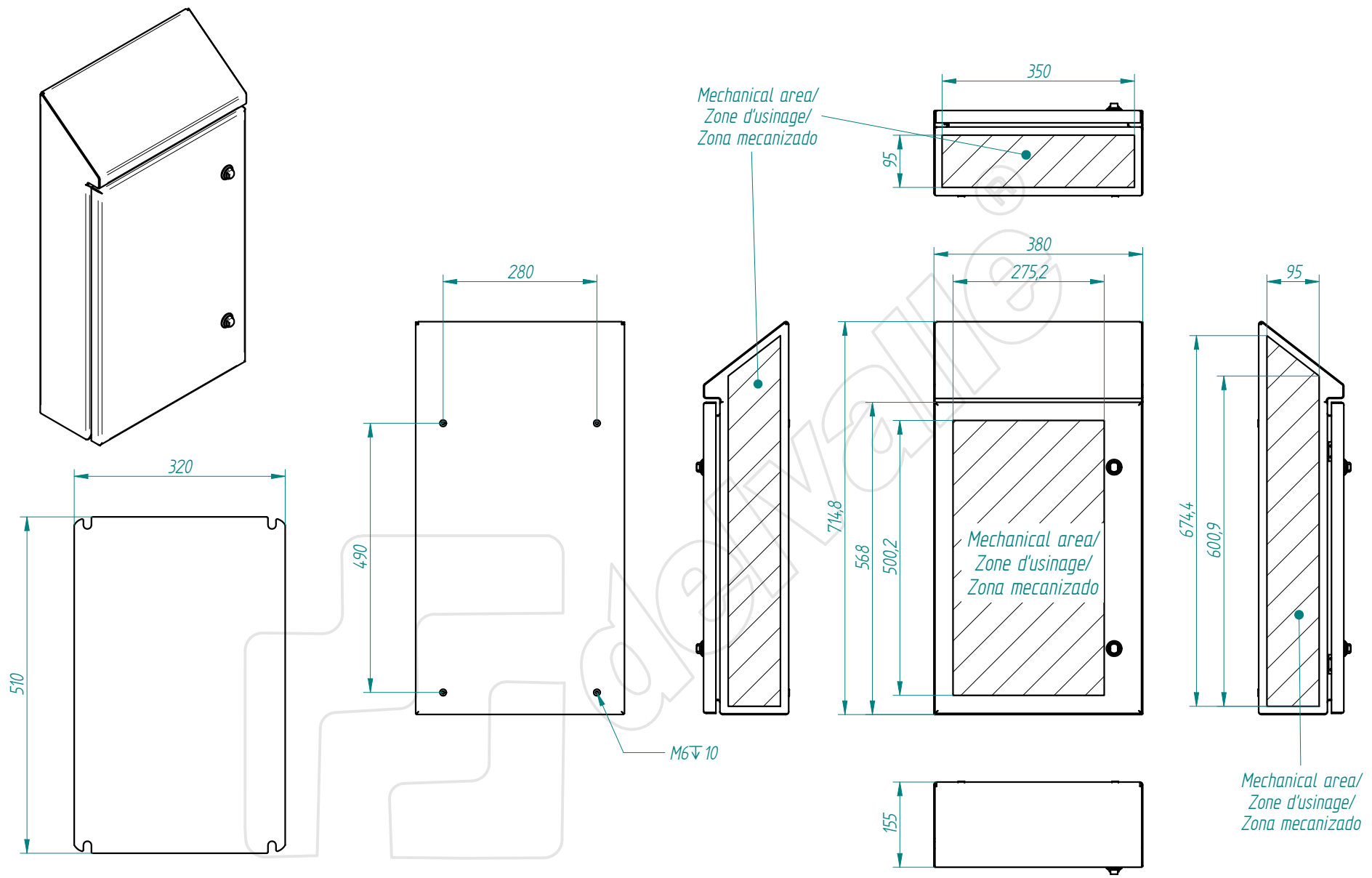
TOLERANCIA GENERAL DE MECANIZACION segun DIN 7168					Referencia:		FECHA:	FIRMA:	
							DIBUJADO: 23/07/2014	D.Martinez	
						APROBADO: 23/07/2014	D.Martinez		
	Creación del documento	23/07/2014	D.MTNEZ	A	-	DESIGNACIÓN:			Nº PLANO:
	MODIFICACIONES	FECHA:	FIRMA:	REVISIÓN:	plegado: acabado:	fresh luxor-550x400x210-estandar			


This present document and its contents are confidential, and are the exclusive intellectual and / or industrial property of DELVALLE. In addition to any technology, design, invention, work, process, know-how, calculation, manual, method, solution, idea, improvement, drawing, diagram, modification, contribution and, in short, any associated information or documentation involving industrial or intellectual property developed or supplied by DELVALLE on the occasion of the quote, order execution or incorporated into the design or operation of the supply. The recipient may not use such property in his favour or in that of a third party for purposes other than the fulfilment of the order and the operation and maintenance of the supply, without the prior written consent of DELVALLE. It is strictly forbidden to totally or partially reproduce this document and to misuse it or to show it to third parties. The infringing parties shall be required to pay the corresponding compensation for damages and any other legal or criminal responsibility. The infringement may give rise to.



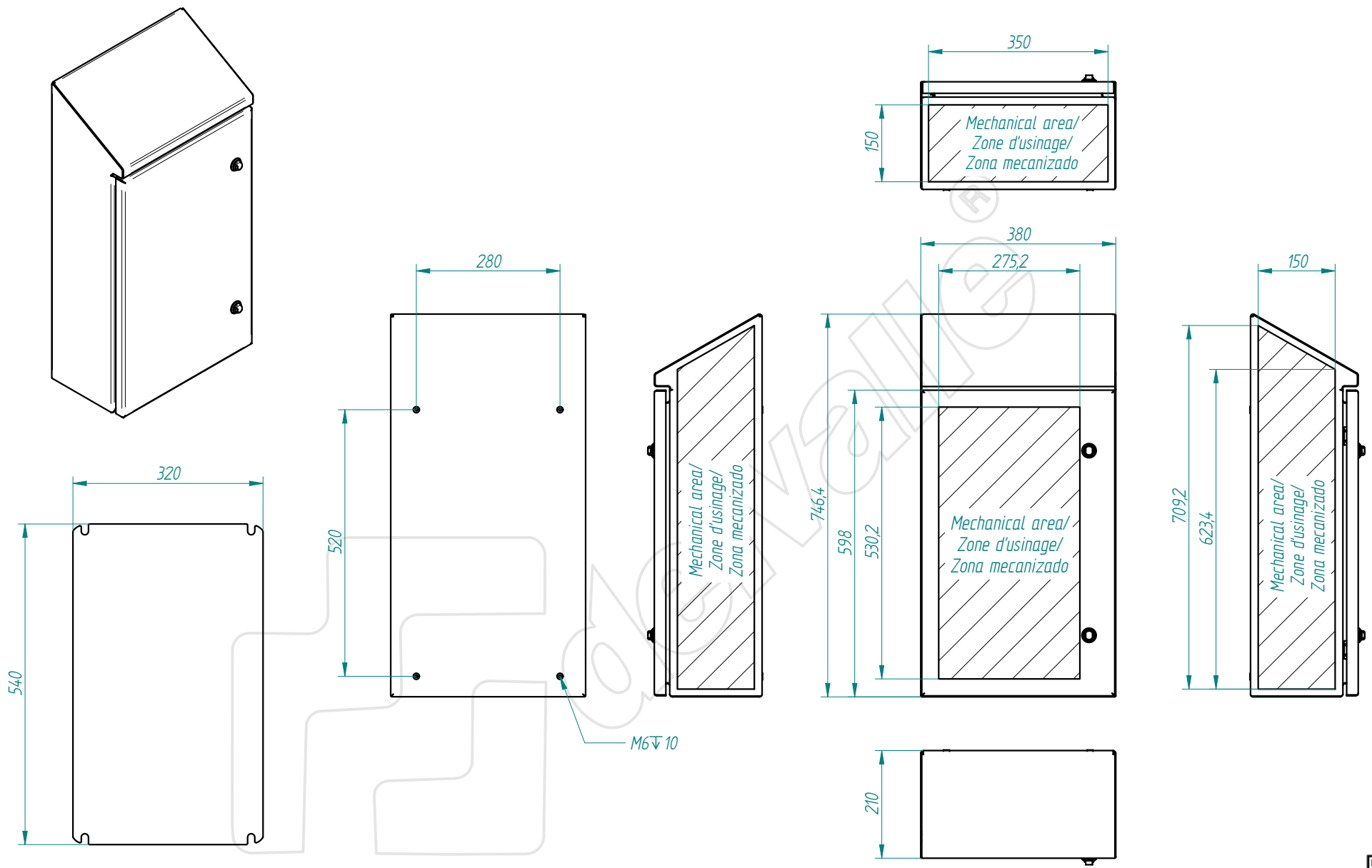
TOLERANCIA GENERAL DE MECANIZACION según DIN 7168					Referencia: - plegado: - acabado:	DIBUJADO:	FECHA:	FIRMA:	 Nº PLANO:	
						23/07/2014	D.MTNEZ	A		D.Martinez
	Creación del documento	23/07/2014	D.MTNEZ	A			23/07/2014	D.Martinez		
MODIFICACIONES	FECHA:	FIRMA:	REVISIÓN:			DESIGNACIÓN: fresh luxor-650x500x210-estandar				


This present document and its contents are confidential, and are the exclusive intellectual and / or industrial property of DELVALLE. In addition to any technology, design, invention, work, process, know-how, calculation, manual, method, solution, idea, improvement, drawing, diagram, modification, contribution and, in short, any associated information or documentation involving industrial or intellectual property developed or supplied by DELVALLE on the occasion of the quote, order execution or incorporated into the design or operation of the supply. The recipient may not use such property in his favour or in that of a third party for purposes other than the fulfilment of the order and the operation and maintenance of the supply, without the prior written consent of DELVALLE. It is strictly forbidden to totally or partially reproduce this document and to misuse it and / or to show it to third parties. The infringing parties shall be required to pay the corresponding compensation for damages, and any other legal or criminal responsibilities. The infringement may give rise to.



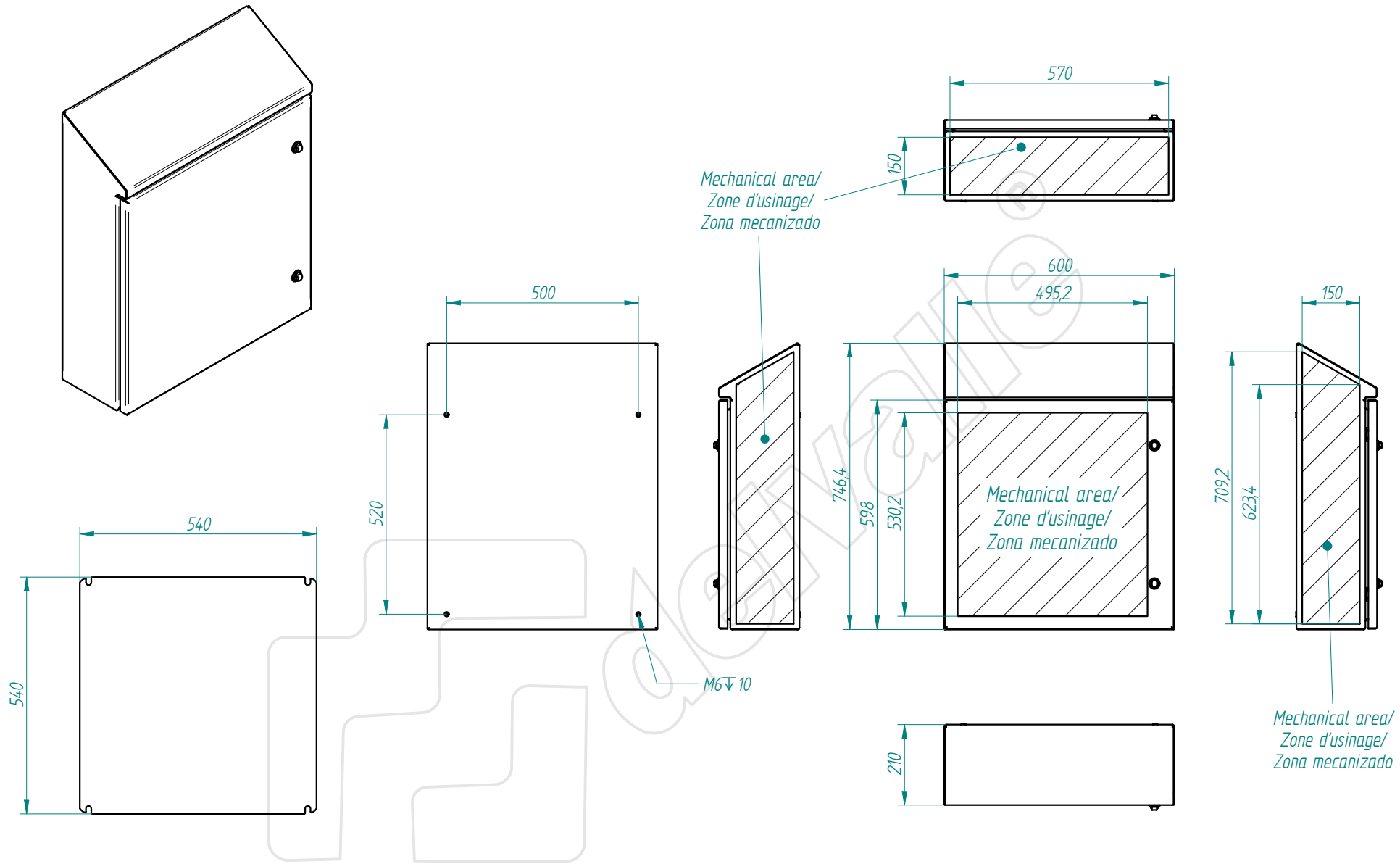
TOLERANCIA GENERAL DE MECANIZACION segun DIN 7168	Creación del documento	23/07/2014	D.MTNEZ	A	Referencia: - plegado: - acabado:	DIBUJADO:	FECHA:	FIRMA:	
	MODIFICACIONES	FECHA:	FIRMA:	REVISIÓN:		APROBADO:	23/07/2014	D.Martinez	
DESIGNACIÓN:						Nº PLANO:			
fresh luxor-720x380x155-estandar									


This present document and its contents are confidential, and are the exclusive intellectual and / or industrial property of DEVALLE. In addition to any technology, design, invention, work, process, know-how, calculation, manual, method, solution, idea, improvement, drawing, diagram, modification, contribution and, in short, any associated information or documentation involving industrial or intellectual property developed or supplied by DEVALLE on the occasion of the quote, order execution or incorporated into the design or operation of the supply. The recipient may not use such property in his favour or in that of a third party for purposes other than the fulfilment of the order and the operation and maintenance of the supply, without the prior written consent of DEVALLE. It is strictly forbidden to totally or partially reproduce this document and to misuse it and / or to show it to third parties. The infringing parties shall be required to pay the corresponding compensation for damages, and any other legal or criminal responsibility is the infringement may give rise to.



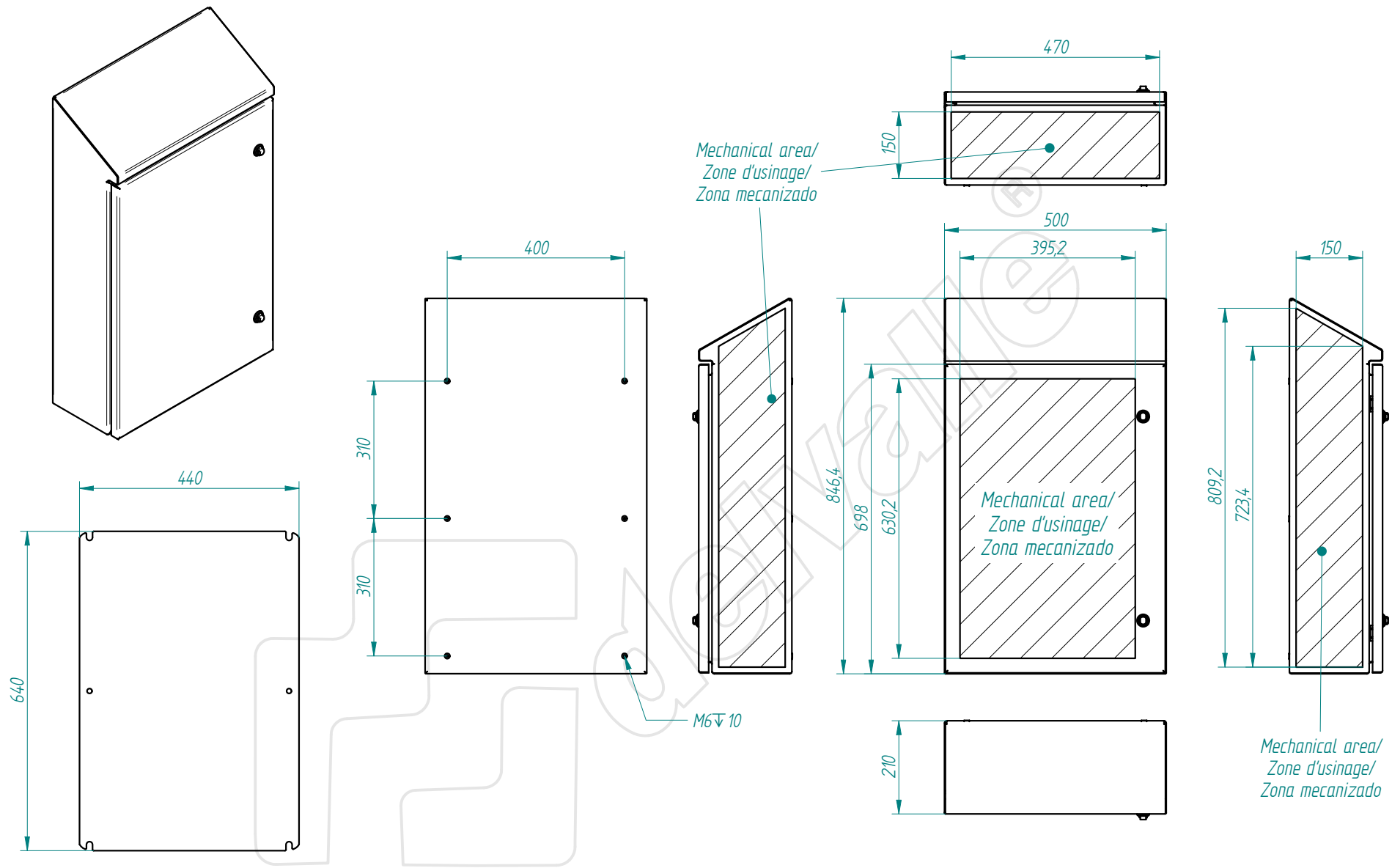
TOLERANCIA GENERAL DE MECANIZACION segun DIN 7168	Creación del documento	23/07/2014	D.MTNEZ	A	Referencia: - plegado: acabado:	DIBUJADO:	23/07/2014	FIRMA:	D.Martínez	 Nº PLANO:
	MODIFICACIONES	FECHA:	FIRMA:	REVISIÓN:		APROBADO:	23/07/2014	D.Martínez		
DESIGNACIÓN:						fresh luxor-750x380x210-estandar				


This present document and its contents are confidential, and are the exclusive intellectual and / or industrial property of DELVALLE. In addition to any technology, design, invention, work, process, know-how, calculation, manual, method, solution, idea, improvement, drawing, diagram, modification, contribution and, in short, any associated information or documentation involving industrial or intellectual property developed or supplied by DELVALLE on the occasion of the quote, order execution or incorporated into the design or operation of the supply. The recipient may not use such property in his favour or in that of a third party for purposes other than the fulfilment of the order and the operation and maintenance of the supply, without the prior written consent of DELVALLE. It is strictly forbidden to totally or partially reproduce this document and to misuse it and / or to show it to third parties. The infringing parties shall be required to pay the corresponding compensation for damages, and any other legal or criminal responsibility is the infringer's sole responsibility.



TOLERANCIA GENERAL DE MECANIZACION según DIN 7168					Referencia:		FECHA:	FIRMA:	
						DIBUJADO:	23/07/2014	D.Martínez	
						APROBADO:	23/07/2014	D.Martínez	
	Creación del documento	23/07/2014	D.MTNEZ	A	-	DESIGNACIÓN:	Nº PLANO:		
	MODIFICACIONES	FECHA:	FIRMA:	REVISIÓN:	plegado: acabado:	fresh luxor-750x600x210-estandar			

This present document and its contents are confidential, and are the exclusive intellectual and / or industrial property of DELVALLE. In addition to any technology, design, invention, work, process, know-how, calculation, manual, method, solution, idea, improvement, drawing, diagram, modification, contribution and, in short, any associated information or documentation involving industrial or intellectual property developed or supplied by DELVALLE on the occasion of the quote, order execution or incorporated into the design or operation of the supply. The recipient may not use such property in his favour or in that of a third party for purposes other than the fulfilment of the order and the operation and maintenance of the supply, without the prior written consent of DELVALLE. It is strictly forbidden to totally or partially reproduce this document and to misuse it and / or to show it to third parties. The infringing parties shall be required to pay the corresponding compensation for damages, and any other legal or criminal responsibility is the infringement may give rise to.



TOLERANCIA GENERAL DE MECANIZACION según DIN 7168					Referencia:		FECHA:	FIRMA:	
						DIBUJADO:	23/07/2014	D.Martínez	
						APROBADO:	23/07/2014	D.Martínez	
	Creación del documento	23/07/2014	D.MTNEZ	A	-	DESIGNACIÓN:			Nº PLANO:
	MODIFICACIONES	FECHA:	FIRMA:	REVISIÓN:	plegado: acabado:	fresh luxor-850x500x210-estandar			