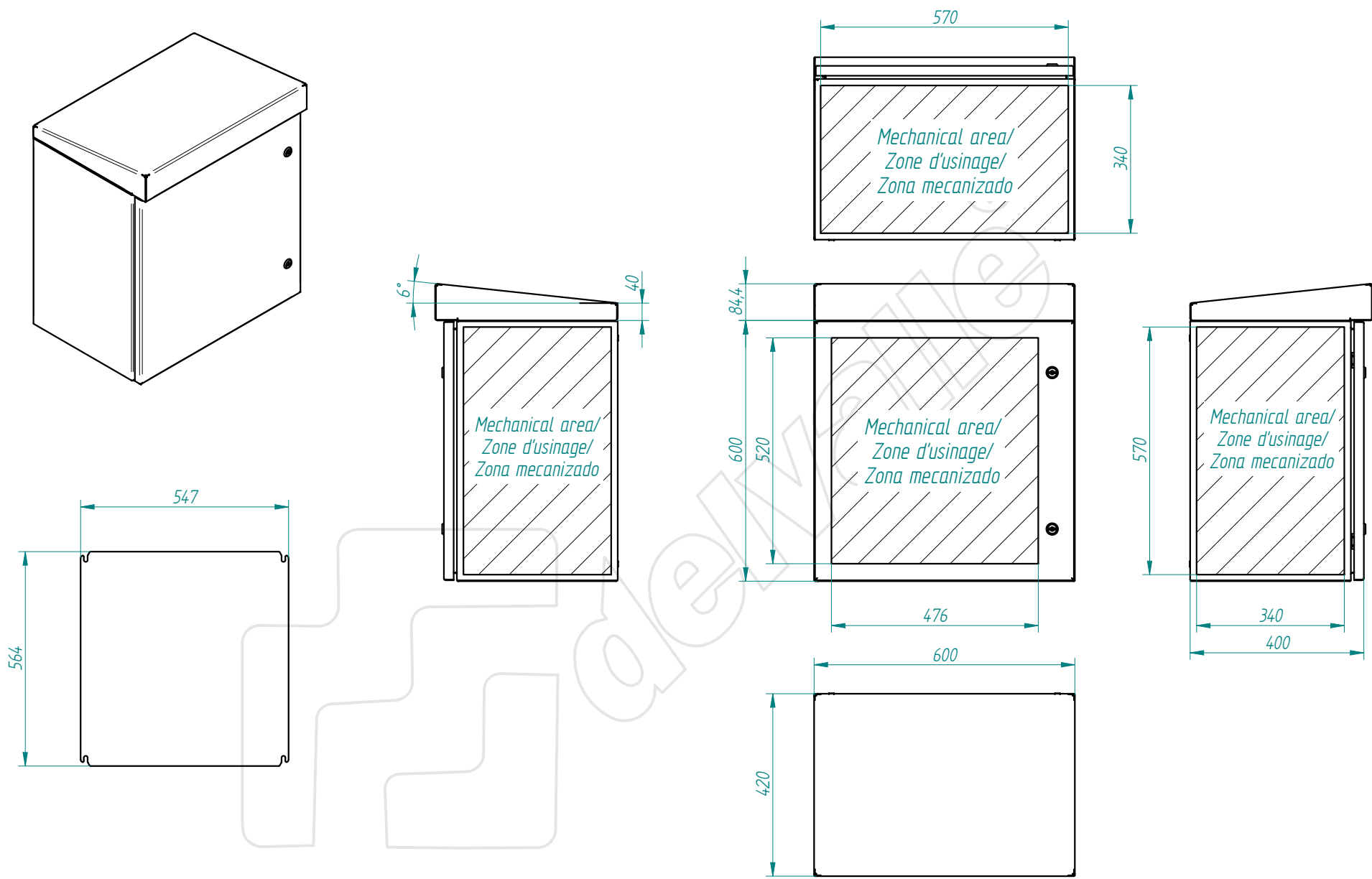



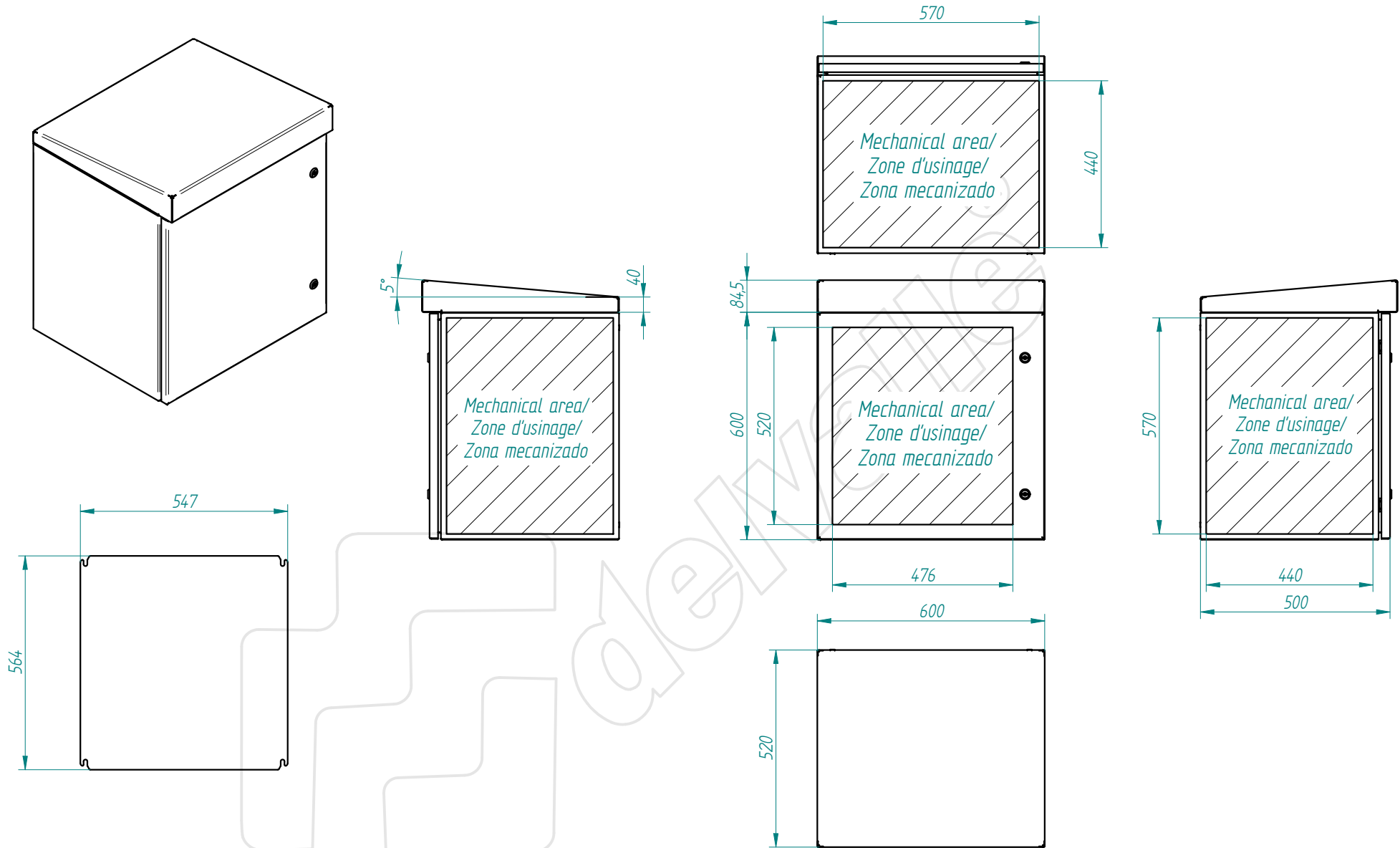
This present document and its contents are confidential, and are the exclusive intellectual and / or industrial property of DELVALLE. In addition to any technology, design, invention, work, process, know-how, calculation, manual, improvement, drawing, diagram, modification, contribution and, in short, any associated information or documentation involving industrial or intellectual property developed or supplied by DELVALLE on the occasion of the quote, order execution or incorporated into the design or operation of the supply. The recipient may not use such property in his favour or in that of a third party for purposes other than the fulfilment of the order and the operation and maintenance of the supply, without the prior written consent of DELVALLE. It is strictly forbidden to totally or partially reproduce this document and to misuse it and / or to show it to third parties. The infringing parties shall be required to pay the corresponding compensation for damages, and any other legal or criminal responsibility is the infringer's sole responsibility.




TOLERANCIA GENERAL DE MECANIZACION segun DIN 7168				Referencia:			FIRMA: D.Martinez	
	Creación del documento	10/09/2014	D.MTNEZ	A				Nº PLANO:
	MODIFICACIONES	FECHA:	FIRMA:	REVISIÓN:	- plegado: acabado:	DESIGNACIÓN:	road -600x600x400-estandar	



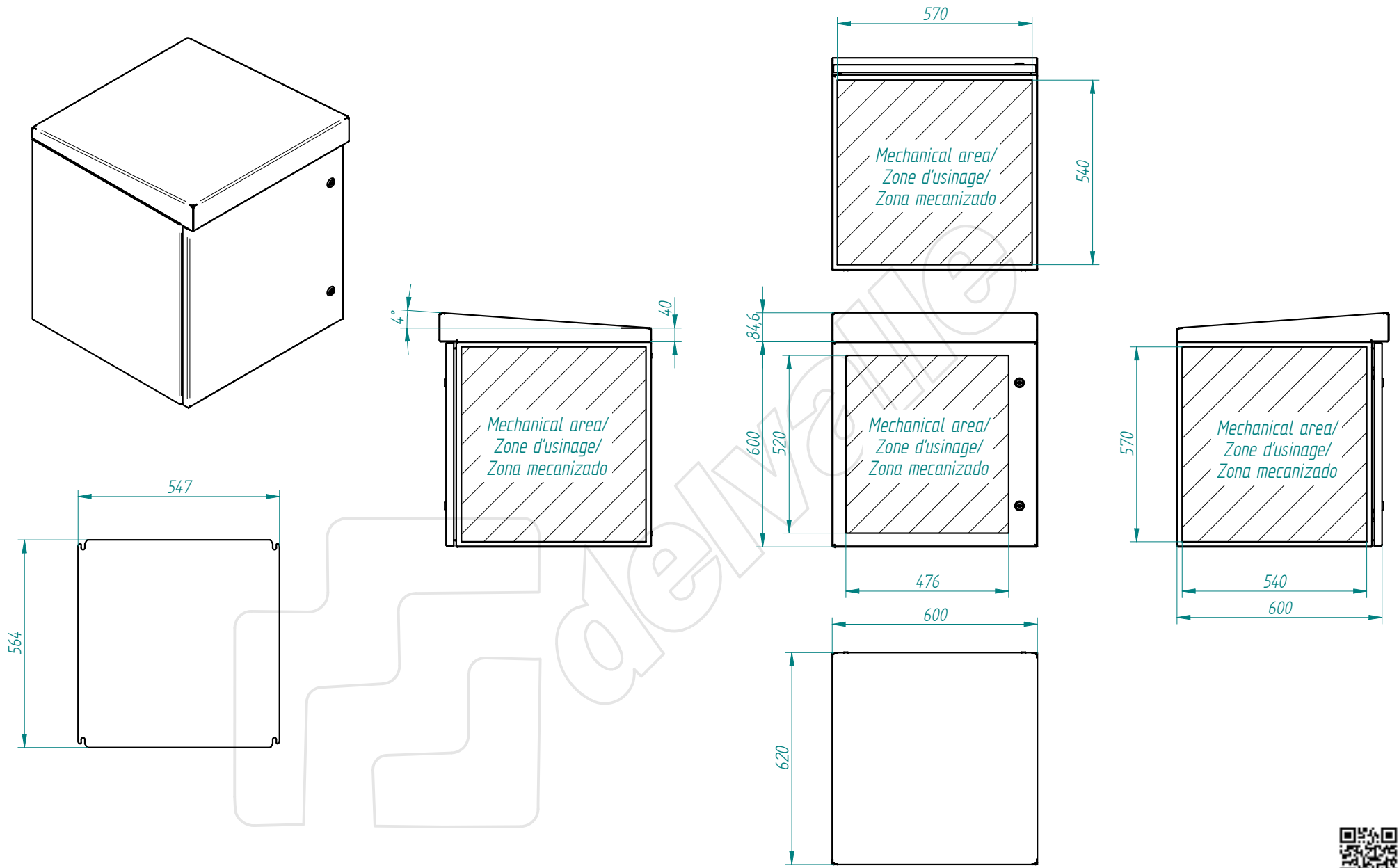
This present document and its contents are confidential, and are the exclusive intellectual and / or industrial property of DELVALLE. In addition to any technology, design, invention, work, process, know-how, calculation, manual, method, solution, idea, improvement, drawing, diagram, modification, contribution and, in short, any associated information or documentation involving industrial or intellectual property developed or supplied by DELVALLE on the occasion of the quote, order execution or incorporated into the design or operation of the supply. The recipient may not use such property in his favour or in that of a third party for purposes other than the fulfilment of the order and the operation and maintenance of the supply, without the prior written consent of DELVALLE. It is strictly forbidden to totally or partially reproduce this document and to misuse it or to show it to third parties. The infringing parties shall be required to pay the corresponding compensation for damages, and any other legal or criminal responsibility is the infringement may give rise to.




TOLERANCIA GENERAL DE MECANIZACION según DIN 7168					Referencia:		FECHA:	FIRMA:	
							DIBUJADO:	10/09/2014	
						APROBADO:	10/09/2014	D.Martínez	
	Creación del documento	10/09/2014	D.MTNEZ	A	-	DESIGNACIÓN:			Nº PLANO:
	MODIFICACIONES	FECHA:	FIRMA:	REVISIÓN:	plegado: acabado:	road -600x600x500-estandar			



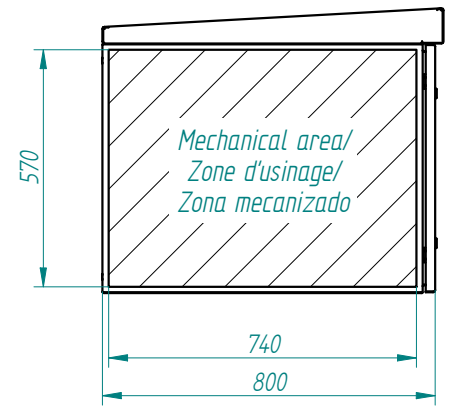
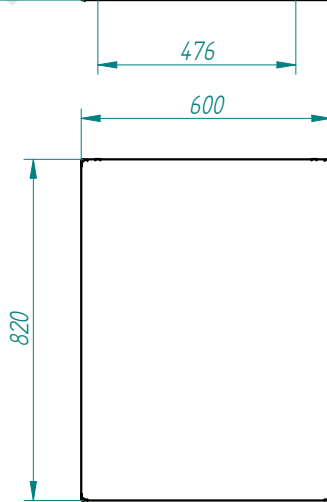
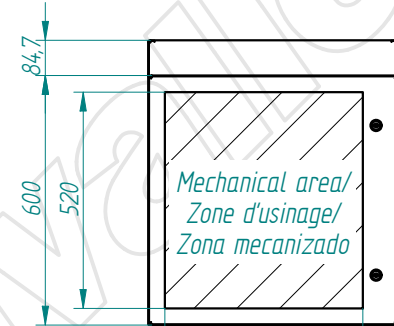
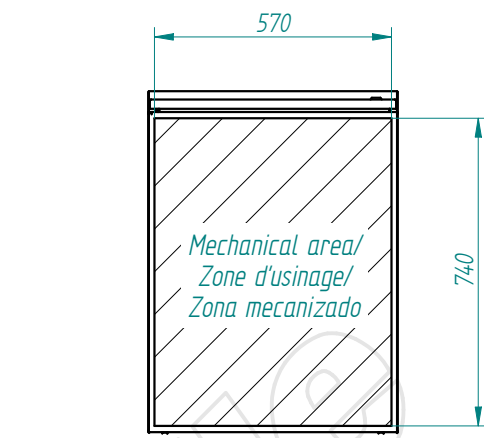
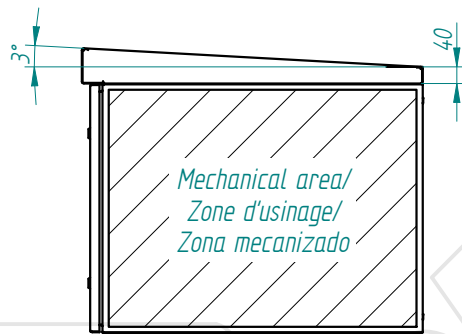
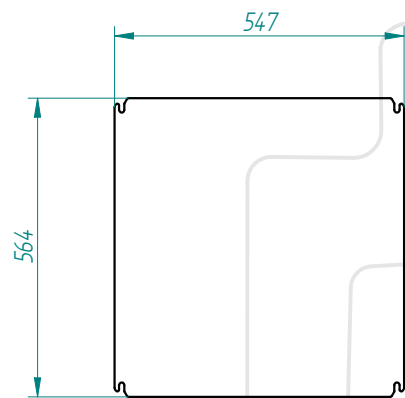
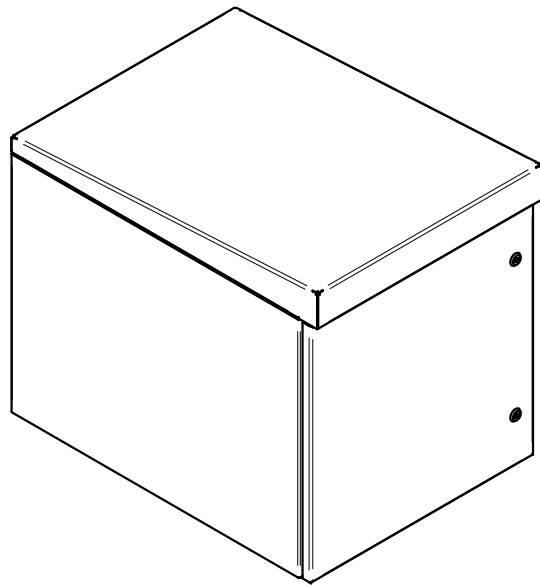
This present document and its contents are confidential, and are the exclusive intellectual and / or industrial property of DELVALLE. In addition to any technology, design, invention, work, process, know-how, calculation, manual, method, solution, idea, improvement, drawing, diagram, modification, contribution and, in short, any associated information or documentation involving industrial or intellectual property developed or supplied by DELVALLE on the occasion of the quote, order execution or incorporated into the design or operation of the supply. The recipient may not use such property in his favour or in that of a third party for purposes other than the fulfilment of the order and the operation and maintenance of the supply, without the prior written consent of DELVALLE. It is strictly forbidden to totally or partially reproduce this document and to misuse it and / or to show it to third parties. The infringing parties shall be required to pay the corresponding compensation for damages, and any other legal or criminal responsibility is the infringement may give rise to.



TOLERANCIA GENERAL DE MECANIZACION según DIN 7168				Referencia:				
	Creación del documento	10/09/2014	D.MTNEZ	A	-	DESIGNACIÓN:		Nº PLANO:
	MODIFICACIONES	FECHA:	FIRMA:	REVISIÓN:	plegado: acabado:	road -600x600x600-estandar		

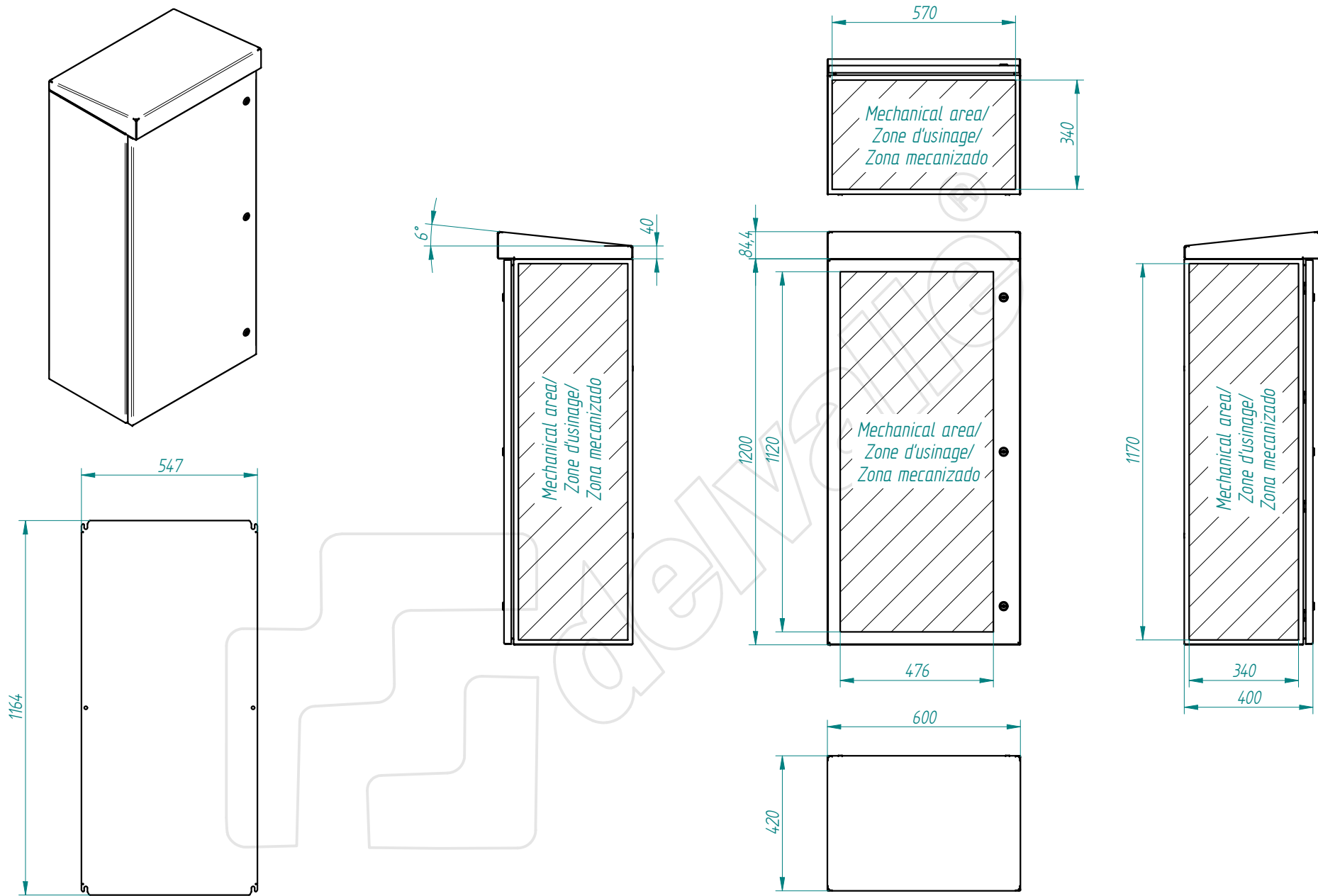


This present document and its contents are confidential, and are the exclusive intellectual and / or industrial property of DELVALLE. In addition to any technology, design, invention, work, process, know-how, calculation, manual, method, solution, idea, improvement, drawing, diagram, modification, contribution and, in short, any associated information or documentation involving industrial or intellectual property developed or supplied by DELVALLE on the occasion of the quote, order execution or incorporated into the design or operation of the supply. The recipient may not use such property in his favour or in that of a third party for purposes other than the fulfilment of the order and the operation and maintenance of the supply, without the prior written consent of DELVALLE. It is strictly forbidden to totally or partially reproduce this document and to misuse it and / or to show it to third parties. The infringing parties shall be required to pay the corresponding compensation for damages, and any other legal or criminal responsibility is the infringement may give rise to.



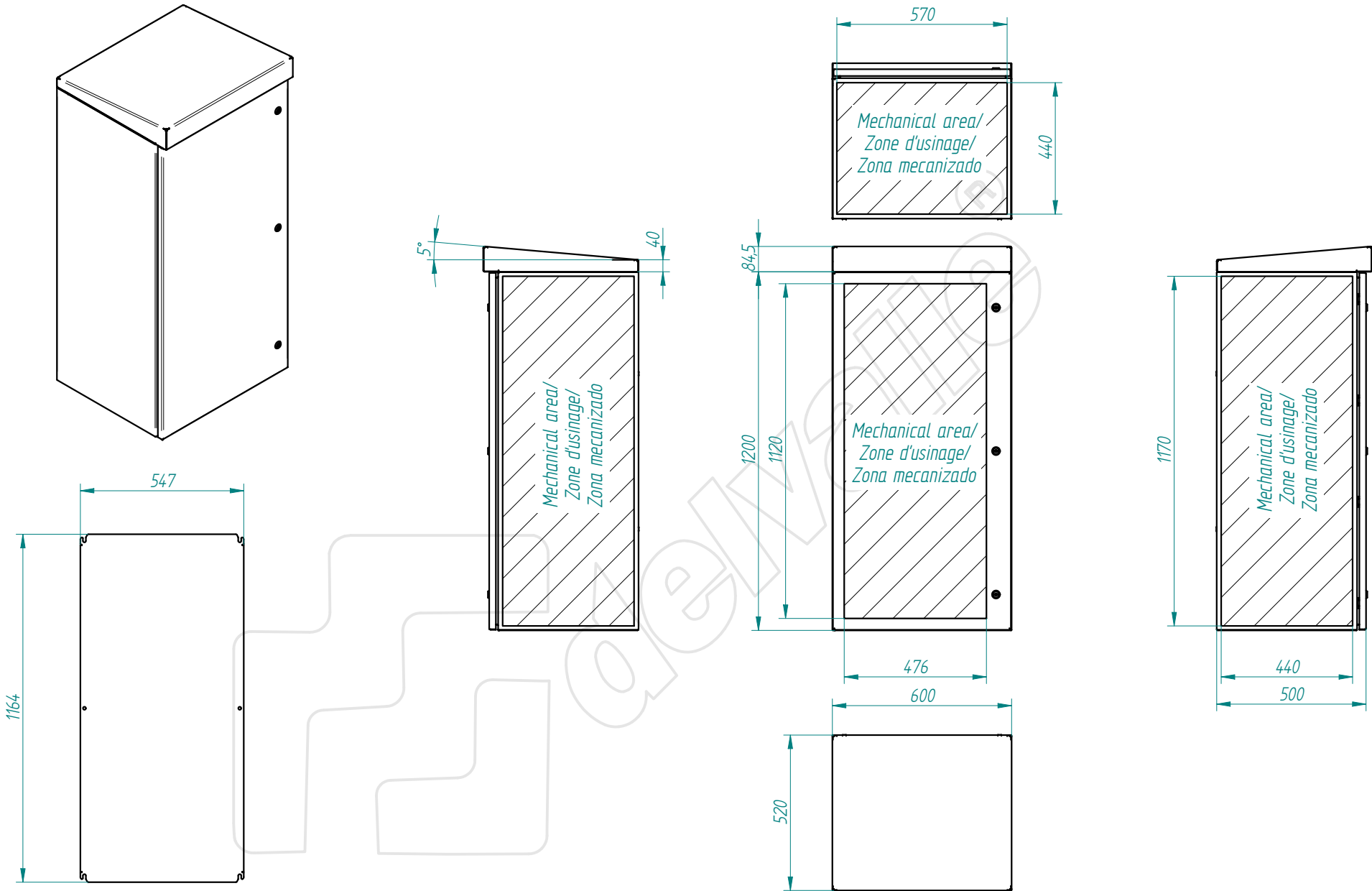
TOLERANCIA GENERAL DE MECANIZACION según DIN 7168					Referencia:						
	Creación del documento	22/04/2015	D.MTNEZ	A			DIBUJADO:	22/04/2015		FIRMA:	D.Martínez
	MODIFICACIONES	FECHA:	FIRMA:	REVISIÓN:		- plegado: acabado:	APROBADO:	22/04/2015		FIRMA:	D.Martínez
						DESIGNACIÓN:			Nº PLANO:		
						road -600x600x800-estandar					


This present document and its contents are confidential, and are the exclusive intellectual and / or industrial property of DELVALLE. In addition to any technology, design, invention, work, process, know-how, calculation, manual, method, solution, idea, improvement, drawing, diagram, modification, contribution and, in short, any associated information or documentation involving industrial or intellectual property developed or supplied by DELVALLE on the occasion of the quote, order execution or incorporated into the design or operation of the supply. The recipient may not use such property in his favour or in that of a third party for purposes other than the fulfilment of the order and the operation and maintenance of the supply, without the prior written consent of DELVALLE. It is strictly forbidden to totally or partially reproduce this document and to misuse it or to show it to third parties. The infringing parties shall be required to pay the corresponding compensation for damages and any other legal or criminal responsibility. The infringement may give rise to.



TOLERANCIA GENERAL DE MECANIZACION según DIN 7168					Referencia:		FECHA:	FIRMA:	
							DIBUJADO:	D.Martínez	
						APROBADO:	10/09/2014	D.Martínez	
	Creación del documento	10/09/2014	D.MTNEZ	A	-	DESIGNACIÓN:			Nº PLANO:
	MODIFICACIONES	FECHA:	FIRMA:	REVISIÓN:	plegado: acabado:	road -1200x600x400-estandar			

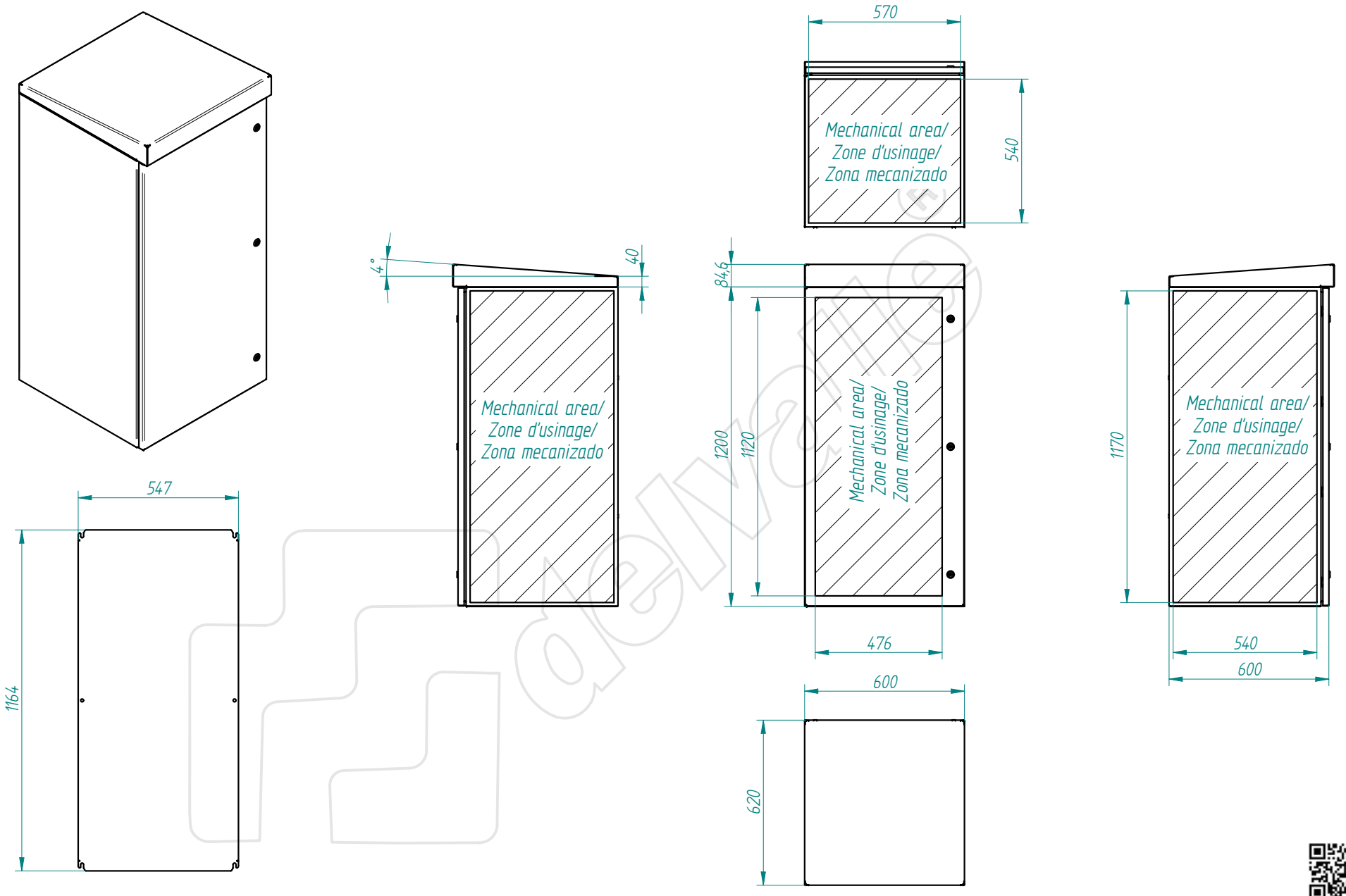
This present document and its contents are confidential, and are the exclusive intellectual and / or industrial property of DEVALLE... in addition to any technology, design, invention, work, process, know-how, calculation, manual, method, solution, idea, improvement, drawing, diagram, modification, contribution and, in short, any associated information or documentation involving industrial or intellectual property developed or supplied by DEVALLE on the occasion of the quote, order execution or incorporated into the design or operation of the supply. The recipient may not use such property in his favour or in that of a third party for purposes other than the fulfilment of the order and the operation and maintenance of the supply, without the prior written consent of DEVALLE. It is strictly forbidden to totally or partially reproduce this document and to misuse it and / or to show it to third parties. The infringing parties shall be required to pay the corresponding compensation for damages, and any other legal or criminal responsibility if the infringement may give rise to.




TOLERANCIA GENERAL DE MECANIZACION según DIN 7168	Creación del documento	10/09/2014	D.MTNEZ	A	Referencia: - plegado: - acabado:	DIBUJADO:	10/09/2014	FIRMA:	D.Martínez	 Nº PLANO:
	MODIFICACIONES	FECHA:	FIRMA:	REVISIÓN:		APROBADO:	10/09/2014	D.Martínez		
DESIGNACIÓN:						road -1200x600x500-estandar				

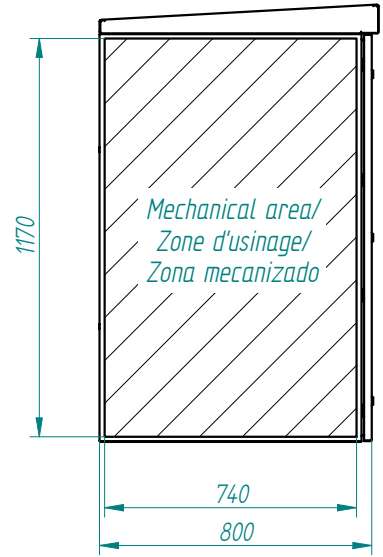
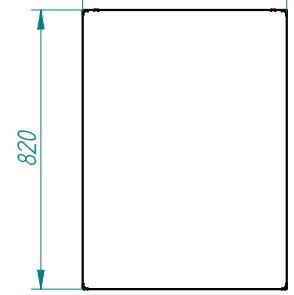
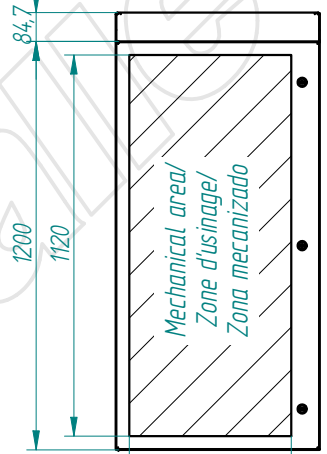
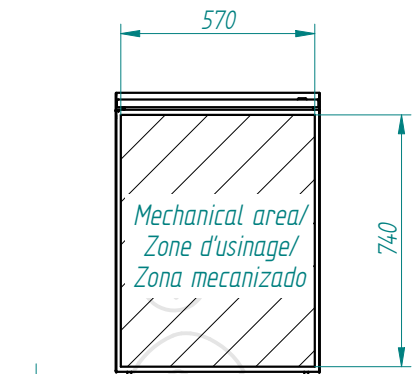
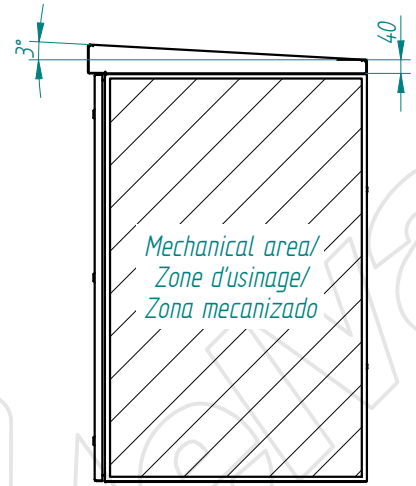
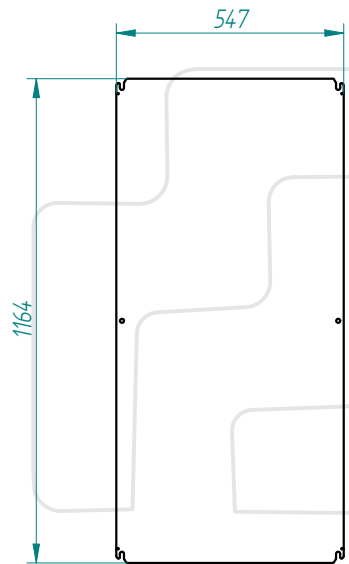
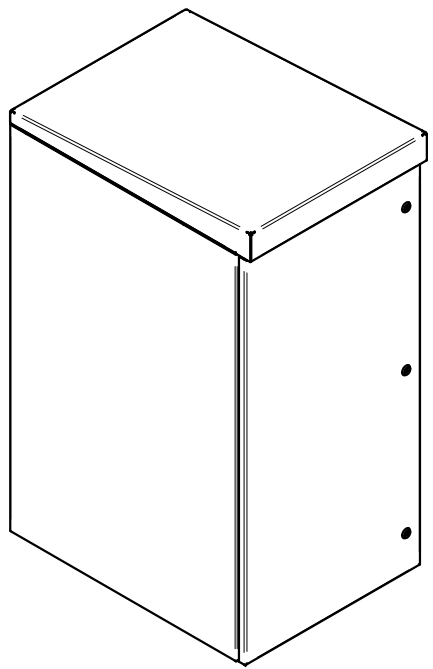



This present document and its contents are confidential, and are the exclusive intellectual and / or industrial property of DELVALLE. In addition to any technology, design, invention, work, process, know-how, calculation, manual, method, solution, idea, improvement, drawing, diagram, modification, contribution and, in short, any associated information or documentation involving industrial or intellectual property developed or supplied by DELVALLE on the occasion of the quote, order execution or incorporated into the design or operation of the supply. The recipient may not use such property in his favour or in that of a third party for purposes other than the fulfilment of the order and the operation and maintenance of the supply, without the prior written consent of DELVALLE. It is strictly forbidden to totally or partially reproduce this document and to misuse it and / or to show it to third parties. The infringing parties shall be required to pay the corresponding compensation for damages, and any other legal or criminal responsibility if the infringement may give rise to.



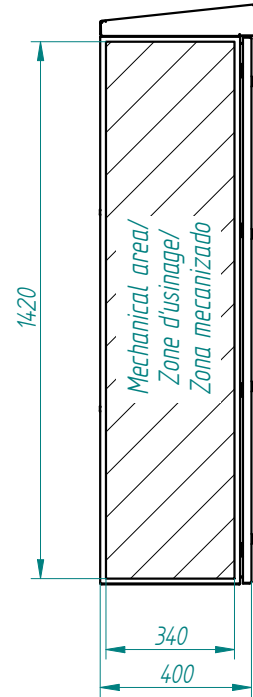
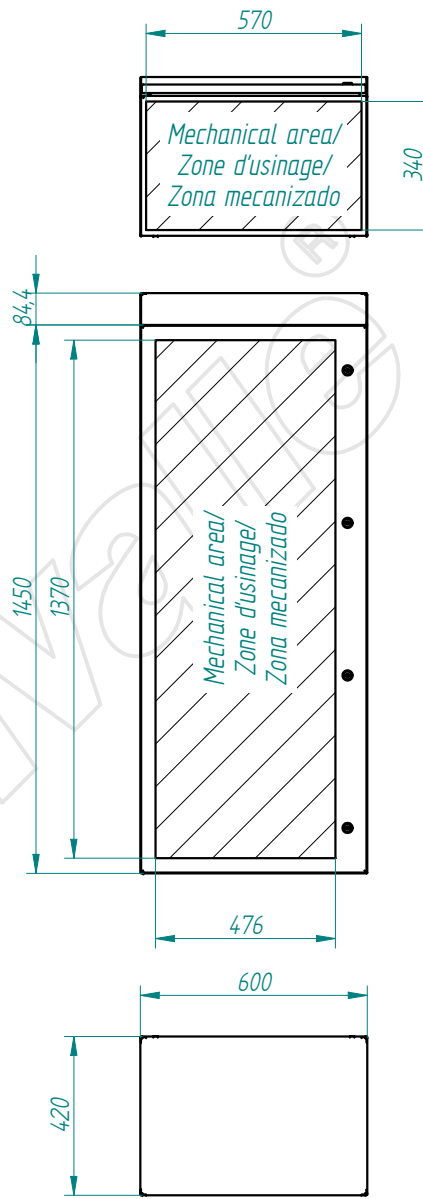
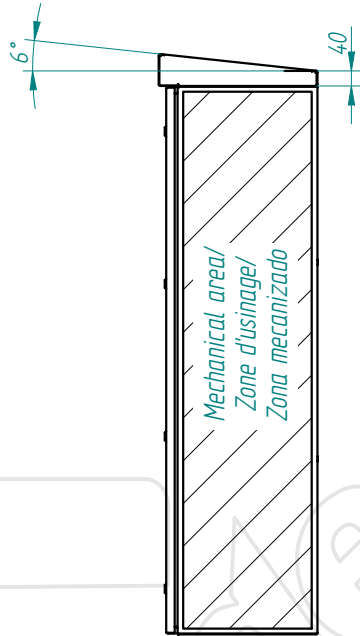
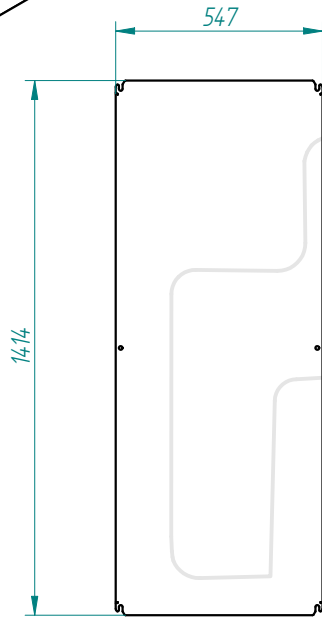
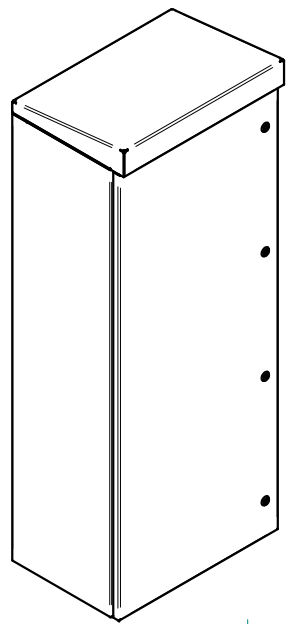
TOLERANCIA GENERAL DE MECANIZACION según DIN 7168					Referencia:		FECHA:	FIRMA:	
							DIBUJADO:	10/09/2014	
						APROBADO:	10/09/2014	D.Martínez	
	Creación del documento	10/09/2014	D.MTNEZ	A	-	DESIGNACIÓN:			Nº PLANO:
	MODIFICACIONES	FECHA:	FIRMA:	REVISIÓN:	plegado: acabado:	road -1200x600x600-estandar			


This present document and its contents are confidential, and are the exclusive intellectual and / or industrial property of DELVALLE. In addition to any technology, design, invention, work, process, know-how, calculation, manual, method, solution, idea, improvement, drawing, diagram, modification, contribution and, in short, any associated information or documentation involving industrial or intellectual property developed or supplied by DELVALLE on the occasion of the quote, order execution or incorporated into the design or operation of the supply. The recipient may not use such property in his favour or in that of a third party for purposes other than the fulfilment of the order and the operation and maintenance of the supply, without the prior written consent of DELVALLE. It is strictly forbidden to totally or partially reproduce this document and to misuse it and / or to show it to third parties. The infringing parties shall be required to pay the corresponding compensation for damages, and any other legal or criminal responsibility is the infringement may give rise to.



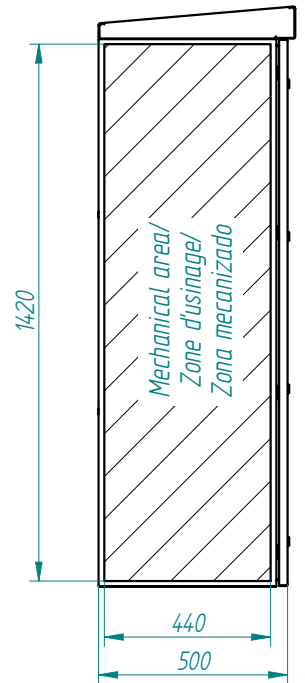
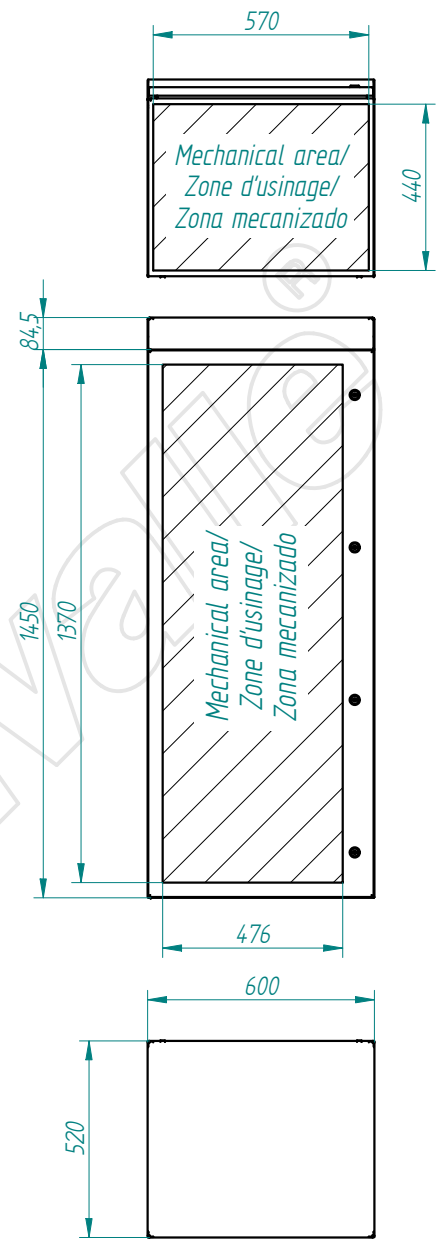
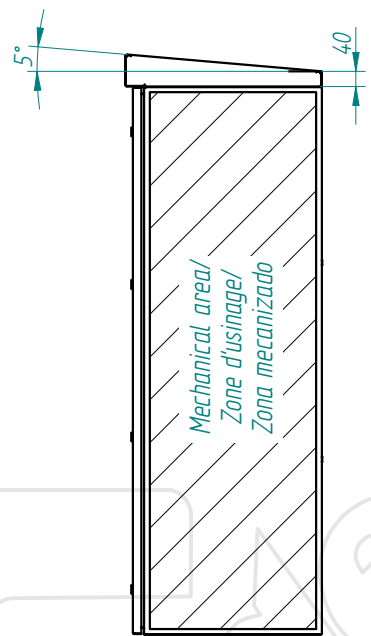
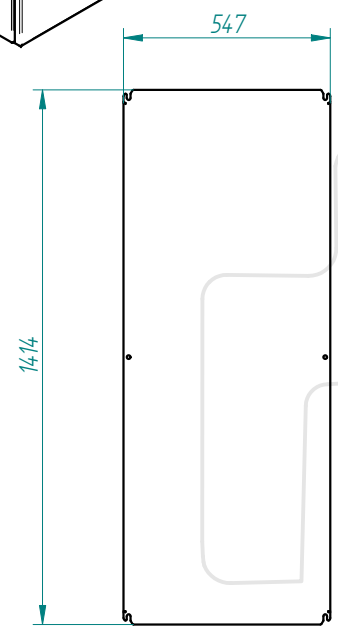
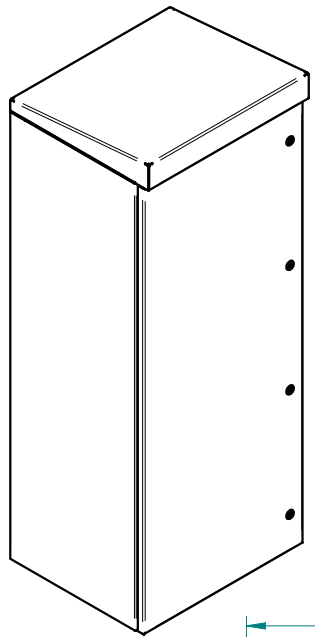
TOLERANCIA GENERAL DE MECANIZACION segun DIN 7168					Referencia:		FECHA:	FIRMA:	
						DIBUJADO:	22/04/2015	D.Martinez	
						APROBADO:	22/04/2015	D.Martinez	
	Creación del documento	22/04/2015	D.MTNEZ	A	-	DESIGNACIÓN:			Nº PLANO:
	MODIFICACIONES	FECHA:	FIRMA:	REVISIÓN:	plegado: acabado:	road -1200x600x800-estandar			


This present document and its contents are confidential, and are the exclusive intellectual and / or industrial property of DEVALLE. In addition to any technology, design, invention, work, process, know-how, calculation, manual, method, solution, idea, improvement, drawing, diagram, modification, contribution and, in short, any associated information or documentation involving industrial or intellectual property developed or supplied by DEVALLE on the occasion of the quote, order execution or incorporated into the design or operation of the supply. The recipient may not use such property in his favour or in that of a third party for purposes other than the fulfilment of the order and the operation and maintenance of the supply, without the prior written consent of DEVALLE. It is strictly forbidden to totally or partially reproduce this document and to misuse it or to show it to third parties. The infringing parties shall be required to pay the corresponding compensation for damages, and any other legal or criminal responsibility if the infringement may give rise to.



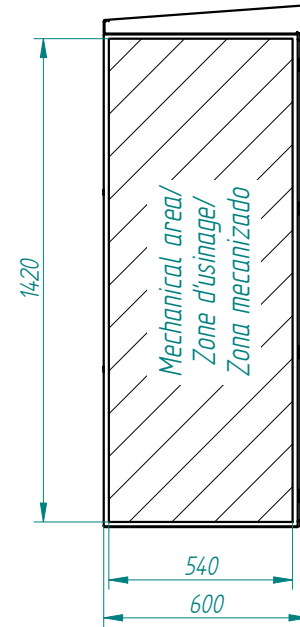
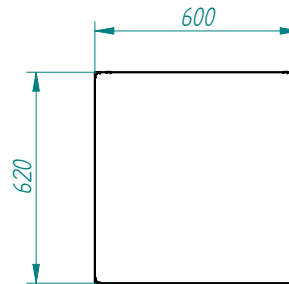
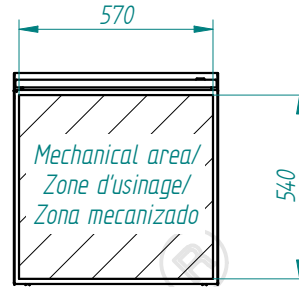
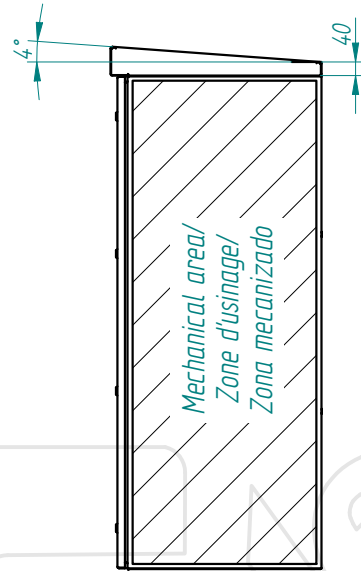
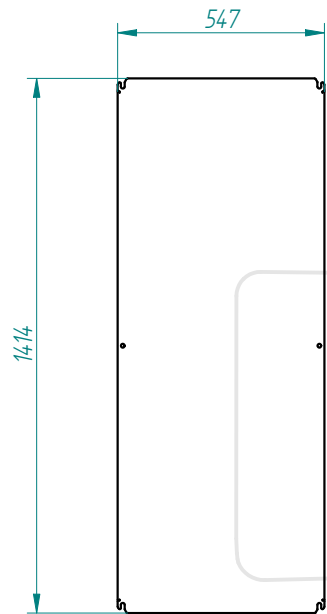
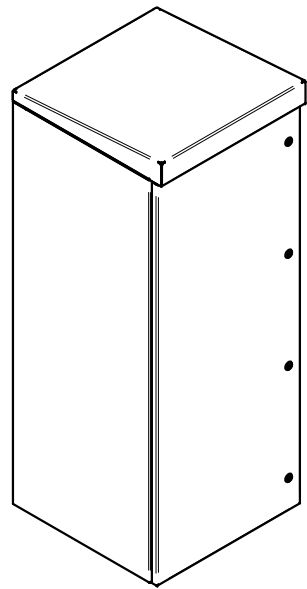
TOLERANCIA GENERAL DE MECANIZACION según DIN 7168					Referencia:		FECHA:	FIRMA:	
							DIBUJADO: 10/09/2014	D.Martínez	
						APROBADO: 10/09/2014	D.Martínez		Nº PLANO:
	Creación del documento	10/09/2014	D.MTNEZ	A	-	DESIGNACIÓN:	road -1450x600x400-estandar		
	MODIFICACIONES	FECHA:	FIRMA:	REVISIÓN:	plegado: acabado:				

This present document and its contents are confidential, and are the exclusive intellectual and / or industrial property of DEVALLE ., in addition to any technology, design, invention, work, process, know-how, calculation, manual, method, solution, idea, improvement, drawing, diagram, modification, contribution and, in short, any associated information or documentation involving industrial or intellectual property developed or supplied by DEVALLE on the occasion of the quote, order execution or incorporated into the design or operation of the supply. The recipient may not use such property in his favour or in that of a third party for purposes other than the fulfilment of the order and the operation and maintenance of the supply, without the prior written consent of DEVALLE. It is strictly forbidden to totally or partially reproduce this document and to misuse it and / or to show it to third parties. The infringing parties shall be required to pay the corresponding compensation for damages, and any other legal or criminal responsibility if the infringement may give rise to.



TOLERANCIA GENERAL DE MECANIZACION según DIN 7168					Referencia:		FECHA:	FIRMA:	
							DIBUJADO:	10/09/2014	
						APROBADO:	10/09/2014	D.Martínez	
	Creación del documento	10/09/2014	D.MTNEZ	A	-	DESIGNACIÓN:			Nº PLANO:
	MODIFICACIONES	FECHA:	FIRMA:	REVISIÓN:	plegado: acabado:	road -1450x600x500-estandar			

This present document and its contents are confidential, and are the exclusive intellectual and / or industrial property of DELVALLE. In addition to any technology, design, invention, work, process, know-how, calculation, manual, method, solution, idea, improvement, drawing, diagram, modification, contribution and, in short, any associated information or documentation involving industrial or intellectual property developed or supplied by DELVALLE on the occasion of the quote, order execution or incorporated into the design or operation of the supply. The recipient may not use such property in his favour or in that of a third party for purposes other than the fulfilment of the order and the operation and maintenance of the supply, without the prior written consent of DELVALLE. It is strictly forbidden to totally or partially reproduce this document and to misuse it or to show it to third parties. The infringing parties shall be required to pay the corresponding compensation for damages, and any other legal or criminal responsibility if the infringement may give rise to.



TOLERANCIA GENERAL
DE MECANIZACION
segun DIN 7168

Creación del documento	10/09/2014	D.MTNEZ	A
MODIFICACIONES	FECHA:	FIRMA:	REVISIÓN:

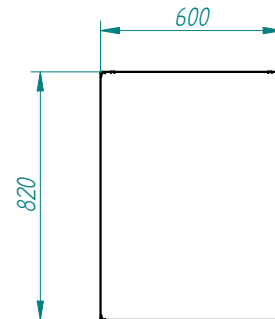
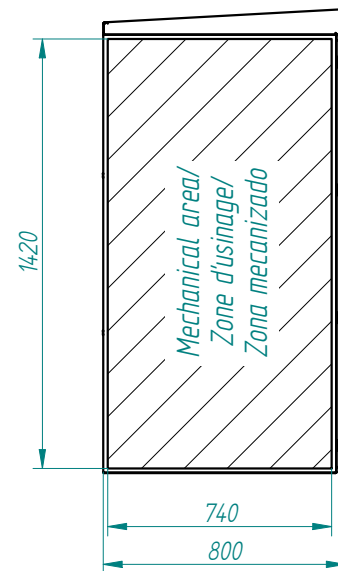
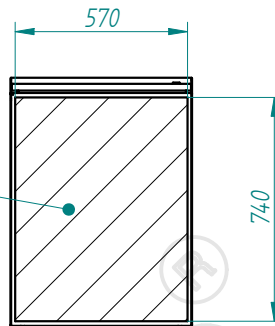
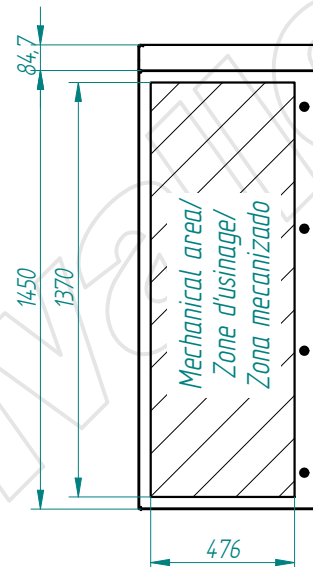
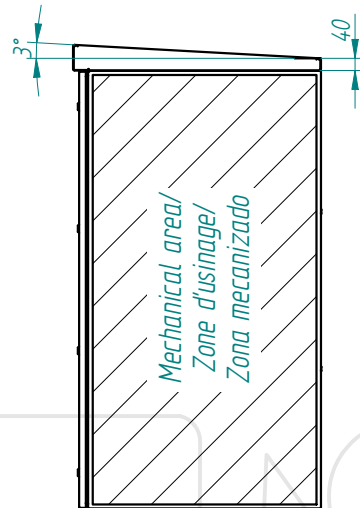
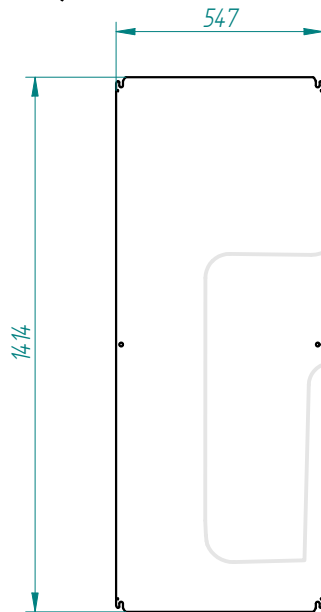
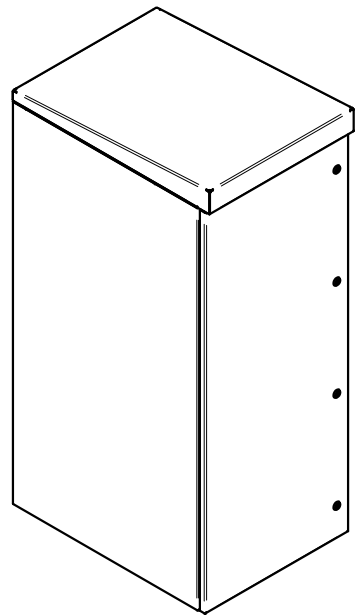
Referencia:

DIBUJADO:	10/09/2014	FIRMA:	D.Martínez
APROBADO:	10/09/2014	FIRMA:	D.Martínez
DESIGNACIÓN:	road -1450x600x600-estandar		

Nº PLANO:



This present document and its contents are confidential, and are the exclusive intellectual and / or industrial property of DEVALLE. In addition to any technology, design, invention, work, process, know-how, calculation, manual, method, solution, idea, improvement, drawing, diagram, modification, contribution and, in short, any associated information or documentation involving industrial or intellectual property developed or supplied by DEVALLE on the occasion of the quote, order execution or incorporated into the design or operation of the supply. The recipient may not use such property in his favour or in that of a third party for purposes other than the fulfilment of the order and the operation and maintenance of the supply, without the prior written consent of DEVALLE. It is strictly forbidden to totally or partially reproduce this document and to misuse it and / or to show it to third parties. The infringing parties shall be required to pay the corresponding compensation for damages, and any other legal or criminal responsibility if the infringement may give rise to.



TOLERANCIA GENERAL
DE MECANIZACION
segun DIN 7168

Creación del documento	22/04/2015	D.MTNEZ	A
MODIFICACIONES	FECHA:	FIRMA:	REVISIÓN:

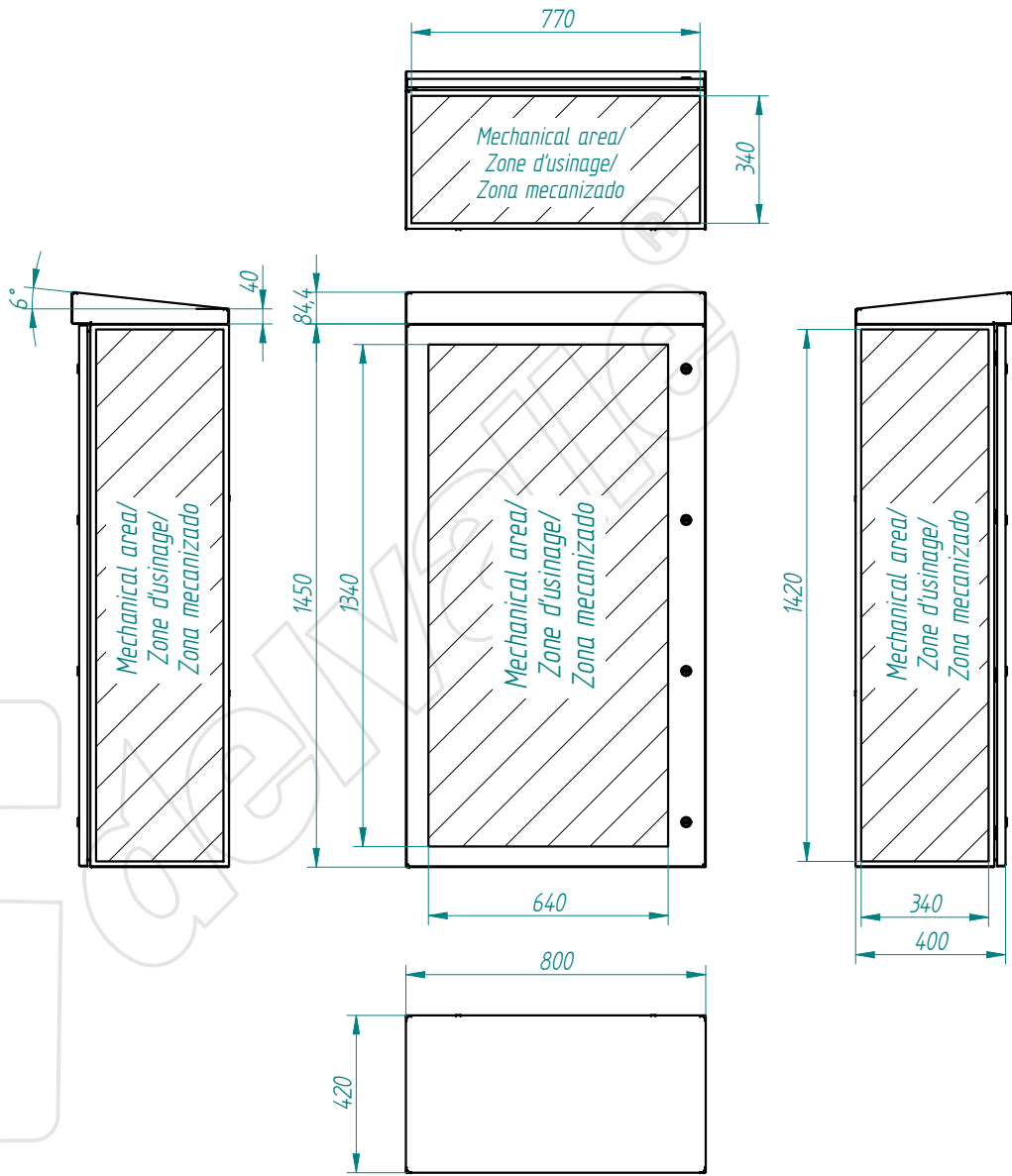
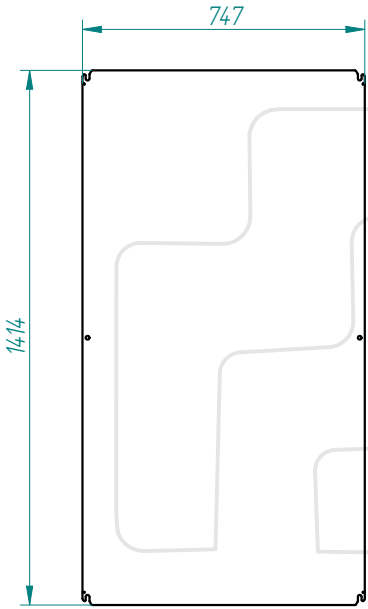
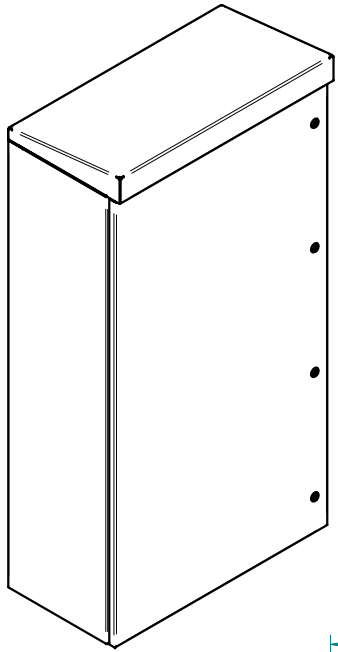
Referencia:


-
plegado:
acabado:

DIBUJADO:	FECHA:	FIRMA:
APROBADO:	22/04/2015	D.Martinez
DESIGNACIÓN:		Nº PLANO:
road -1450x600x800-estandar		



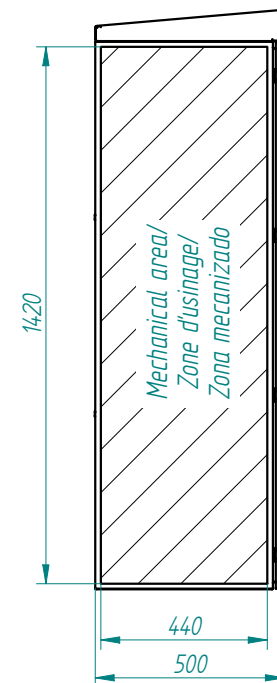
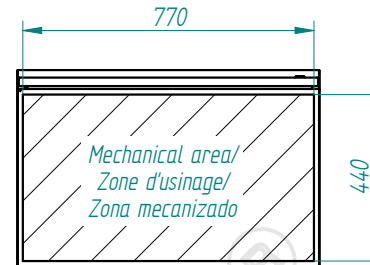
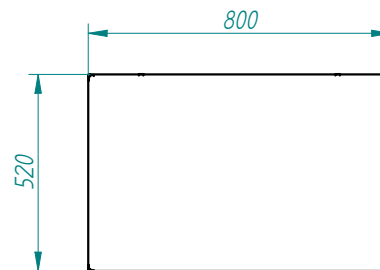
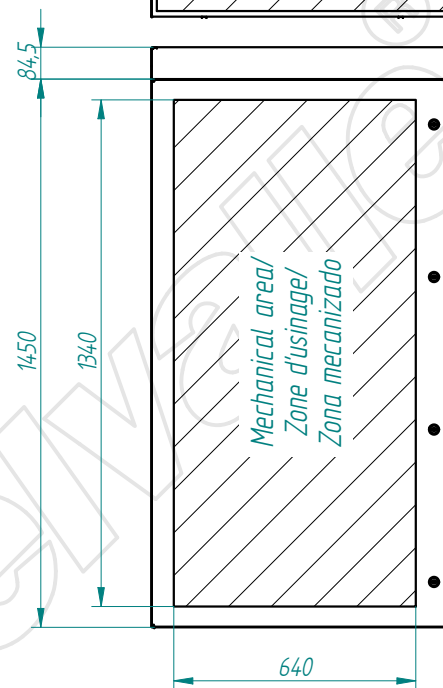
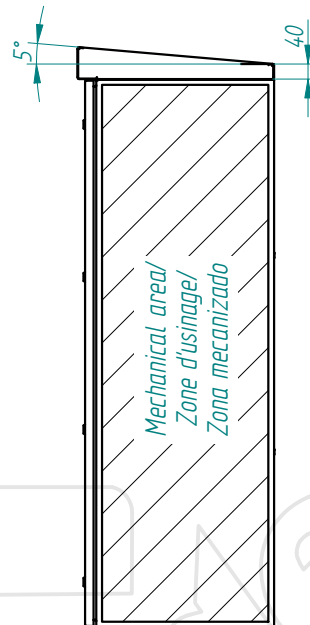
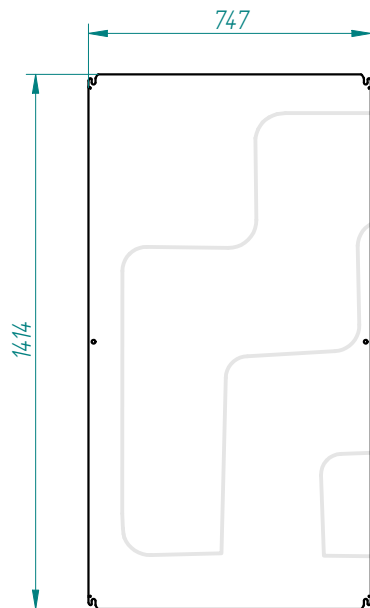
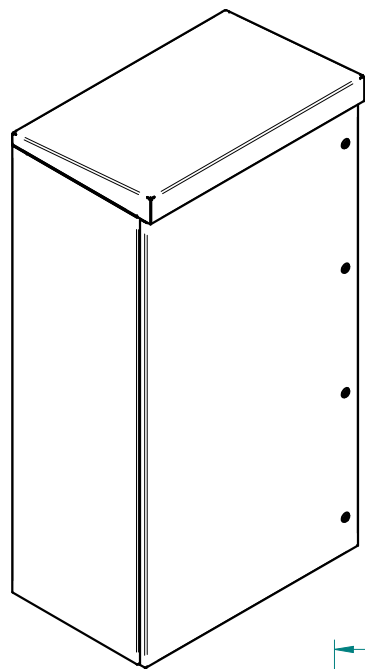
This present document and its contents are confidential, and are the exclusive intellectual and / or industrial property of DELVALLE. In addition to any technology, design, invention, work, process, know-how, calculation, manual, method, solution, idea, improvement, drawing, diagram, modification, contribution and, in short, any associated information or documentation involving industrial or intellectual property developed or supplied by DELVALLE on the occasion of the quote, order execution or incorporated into the design or operation of the supply. The recipient may not use such property in his favour or in that of a third party for purposes other than the fulfilment of the order and the operation and maintenance of the supply, without the prior written consent of DELVALLE. It is strictly forbidden to totally or partially reproduce this document and to misuse it and / or to show it to third parties. The infringing parties shall be required to pay the corresponding compensation for damages, and any other legal or criminal responsibility is the infringement may give rise to.



TOLERANCIA GENERAL DE MECANIZACION segun DIN 7168					Referencia:		FECHA:	FIRMA:	
						DIBUJADO:	22/04/2015	D.Martinez	
						APROBADO:	22/04/2015	D.Martinez	
	Creación del documento	22/04/2015	D.MTNEZ	A	-	DESIGNACIÓN:			Nº PLANO:
	MODIFICACIONES	FECHA:	FIRMA:	REVISIÓN:	plegado: acabado:	road -1450x800x400-estandar			



This present document and its contents are confidential, and are the exclusive intellectual and / or industrial property of DEVALLE. In addition to any technology, design, invention, work, process, know-how, calculation, manual, method, solution, idea, improvement, drawing, diagram, modification, contribution and, in short, any associated information or documentation involving industrial or intellectual property developed or supplied by DEVALLE on the occasion of the quote, order execution or incorporated into the design or operation of the supply. The recipient may not use such property in his favour or in that of a third party for purposes other than the fulfilment of the order and the operation and maintenance of the supply, without the prior written consent of DEVALLE. It is strictly forbidden to totally or partially reproduce this document and to misuse it and / or to show it to third parties. The infringing parties shall be required to pay the corresponding compensation for damages, and any other legal or criminal responsibility is the infringer's sole responsibility.



TOLERANCIA GENERAL
DE MECANIZACION
segun DIN 7168

Creación del documento	22/04/2015	D.MTNEZ	A
MODIFICACIONES	FECHA:	FIRMA:	REVISIÓN:

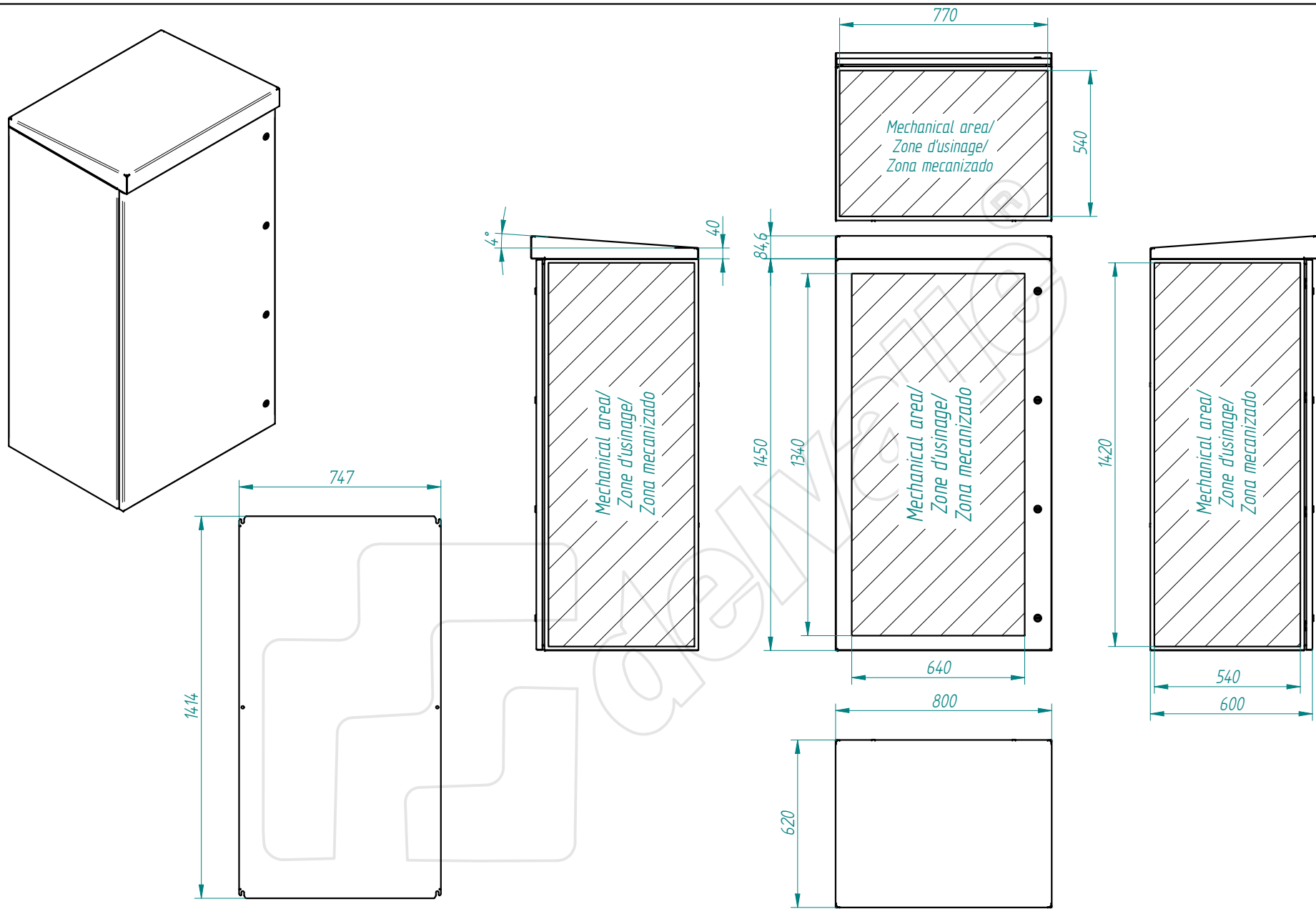
Referencia:


DIBUJADO:	FECHA:	FIRMA:
APROBADO:	22/04/2015	D.Martinez
DESIGNACIÓN:		
road -1450x800x500-estandar		

Nº PLANO:

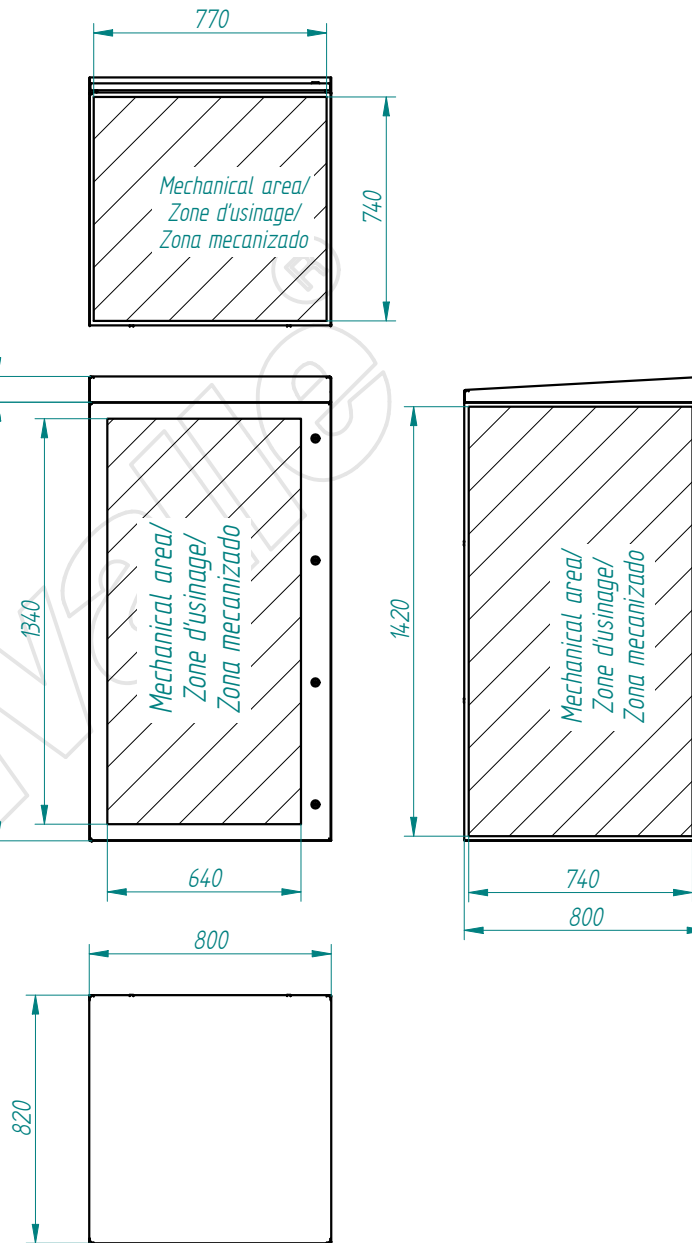
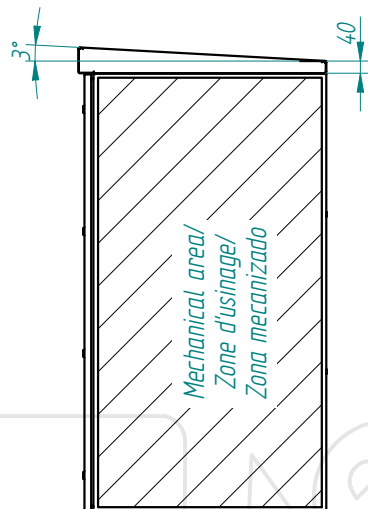
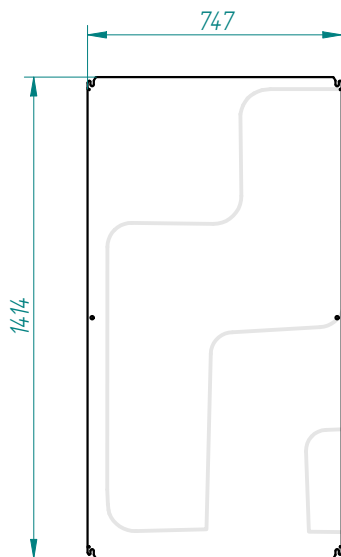
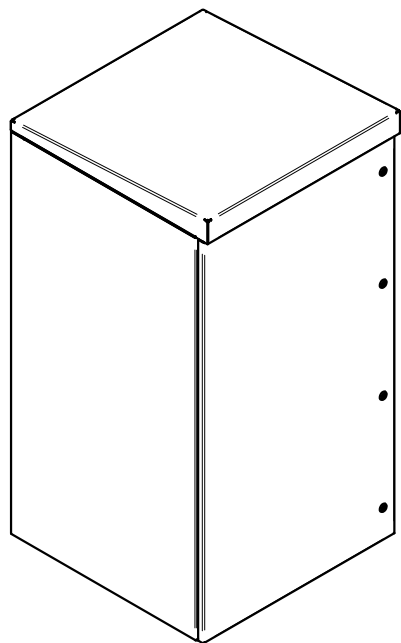


This present document and its contents are confidential, and are the exclusive intellectual and / or industrial property of DEVALLE. In addition to any technology, design, invention, work, process, know-how, calculation, manual, method, solution, idea, improvement, drawing, diagram, modification, contribution and, in short, any associated information or documentation involving industrial or intellectual property developed or supplied by DEVALLE on the occasion of the quote, order execution or incorporated into the design or operation of the supply. The recipient may not use such property in his favour or in that of a third party for purposes other than the fulfilment of the order and the operation and maintenance of the supply, without the prior written consent of DEVALLE. It is strictly forbidden to totally or partially reproduce this document and to misuse it and / or to show it to third parties. The infringing parties shall be required to pay the corresponding compensation for damages, and any other legal or criminal responsibility is the infringement may give rise to.



TOLERANCIA GENERAL DE MECANIZACION según DIN 7168					Referencia:	DIBUJADO:	FECHA:	FIRMA:	
						APROBADO:	22/04/2015	D.Martinez	
	Creación del documento	22/04/2015	D.MTNEZ	A	-	DESIGNACIÓN:			Nº PLANO:
	MODIFICACIONES	FECHA:	FIRMA:	REVISIÓN:	plegado: acabado:	road -1450x800x600-estandar			

This present document and its contents are confidential, and are the exclusive intellectual and / or industrial property of DELVALLE. In addition to any technology, design, invention, work, process, know-how, calculation, manual, method, solution, idea, improvement, drawing, diagram, modification, contribution and, in short, any associated information or documentation involving industrial or intellectual property developed or supplied by DELVALLE on the occasion of the quote, order execution or incorporated into the design or operation of the supply. The recipient may not use such property in his favour or in that of a third party for purposes other than the fulfilment of the order and the operation and maintenance of the supply, without the prior written consent of DELVALLE. It is strictly forbidden to totally or partially reproduce this document and to misuse it and / or to show it to third parties. The infringing parties shall be required to pay the corresponding compensation for damages, and any other legal or criminal responsibility is the infringement may give rise to.



TOLERANCIA GENERAL DE MECANIZACION segun DIN 7168

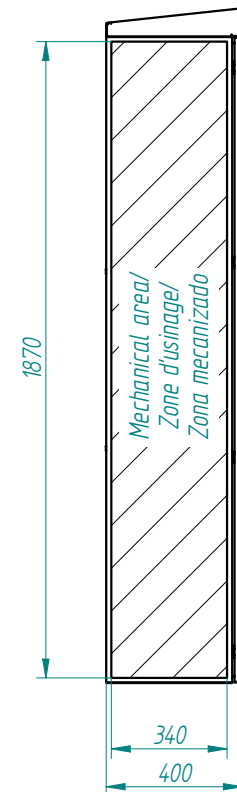
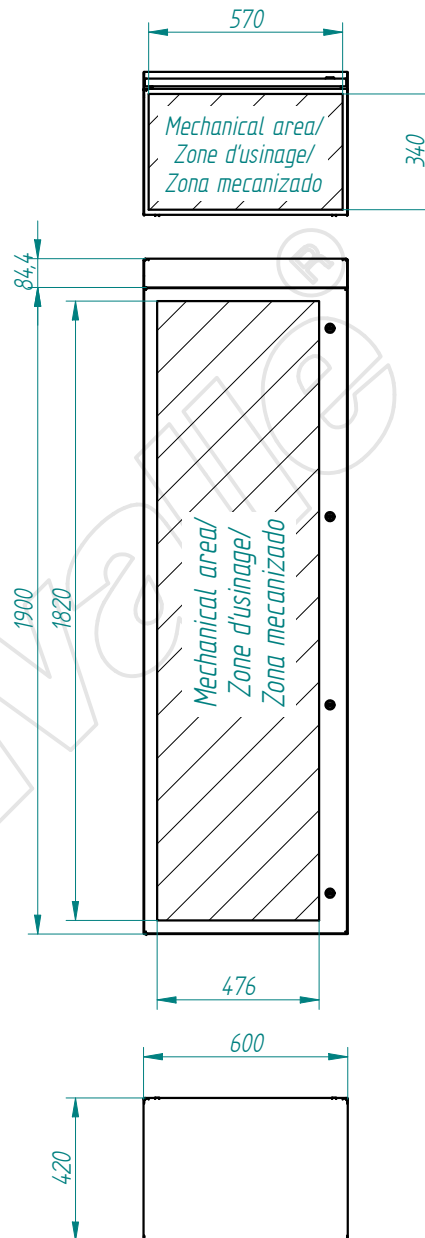
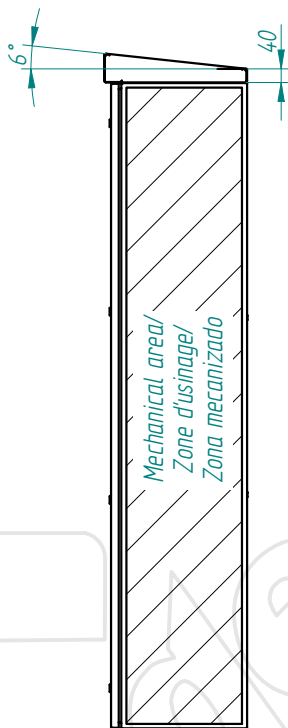
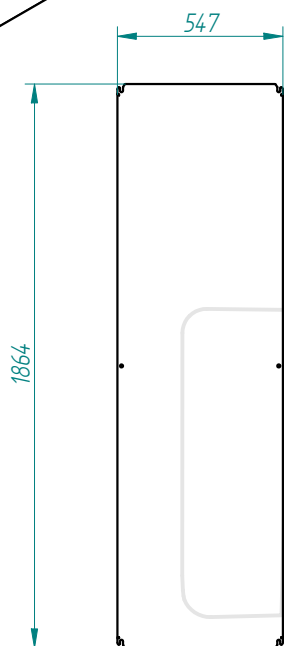
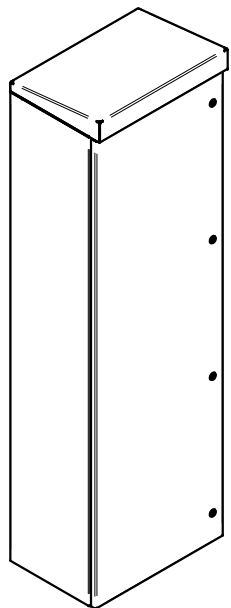
Creación del documento	22/04/2015	D.MTNEZ	A
MODIFICACIONES	FECHA:	FIRMA:	REVISIÓN:


Referencia:

DIBUJADO:	22/04/2015	FIRMA:	D.Martínez
APROBADO:	22/04/2015	FIRMA:	D.Martínez
DESIGNACIÓN:	road -1450x800x800-estandar		
Nº PLANO:			

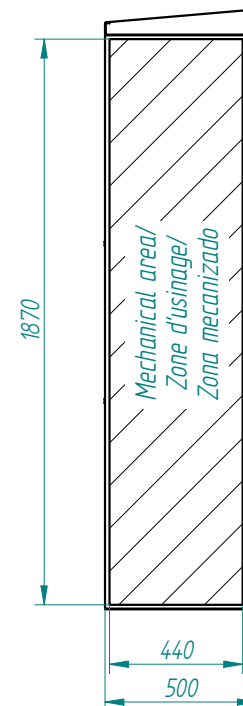
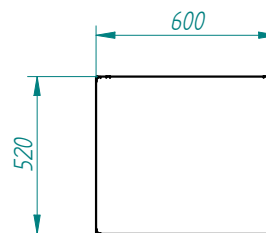
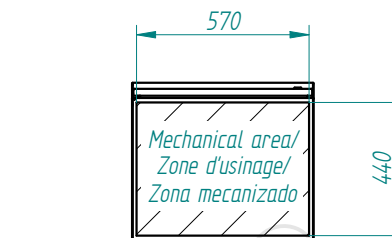
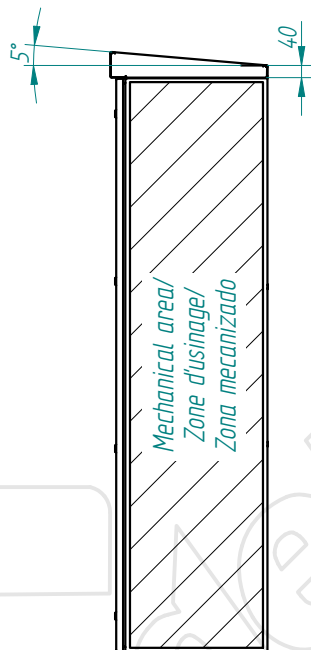
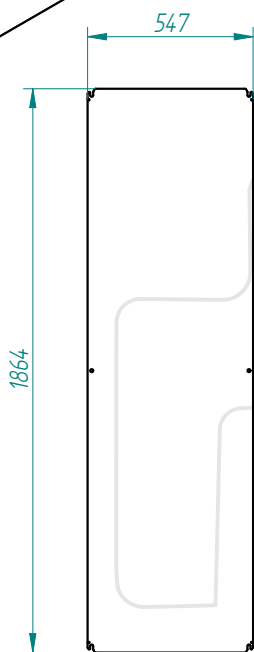
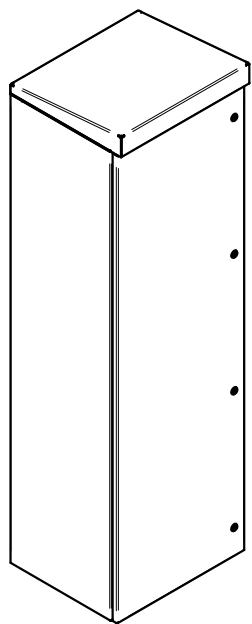


This present document and its contents are confidential, and are the exclusive intellectual and / or industrial property of DEVALLE. In addition to any technology, design, invention, work, process, know-how, calculation, manual, method, solution, idea, improvement, drawing, diagram, modification, contribution and, in short, any associated information or documentation involving industrial or intellectual property developed or supplied by DEVALLE on the occasion of the quote, order execution or incorporated into the design or operation of the supply. The recipient may not use such property in his favour or in that of a third party for purposes other than the fulfilment of the order and the operation and maintenance of the supply, without the prior written consent of DEVALLE. It is strictly forbidden to totally or partially reproduce this document and to misuse it and / or to show it to third parties. The infringing parties shall be required to pay the corresponding compensation for damages, and any other legal or criminal responsibility if the infringement may give rise to.



TOLERANCIA GENERAL DE MECANIZACION según DIN 7168					Referencia:		FECHA:	FIRMA:	
						DIBUJADO:	10/09/2014	D.Martínez	
						APROBADO:	10/09/2014	D.Martínez	Nº PLANO:
	Creación del documento	10/09/2014	D.MTNEZ	A	-	DESIGNACIÓN:	road -1900x600x400-estandar		
MODIFICACIONES	FECHA:	FIRMA:	REVISIÓN:	plegado: acabado:					

This present document and its contents are confidential, and are the exclusive intellectual and / or industrial property of DELVALLE, in addition to any technology, design, invention, work, process, know-how, calculation, manual, method, solution, idea, improvement, drawing, diagram, modification, contribution and, in short, any associated information or documentation involving industrial or intellectual property developed or supplied by DELVALLE on the occasion of the quote, order execution or incorporated into the design or operation of the supply. The recipient may not use such property in his favour or in that of a third party for purposes other than the fulfilment of the order and the operation and maintenance of the supply, without the prior written consent of DELVALLE. It is strictly forbidden to totally or partially reproduce this document and to misuse it and / or to show it to third parties. The infringing parties shall be required to pay the corresponding compensation for damages, and any other legal or criminal responsibility if the infringement may give rise to.



TOLERANCIA GENERAL
DE MECANIZACION
segun DIN 7168

Creación del documento	10/09/2014	D.MTNEZ	A
MODIFICACIONES	FECHA:	FIRMA:	REVISIÓN:

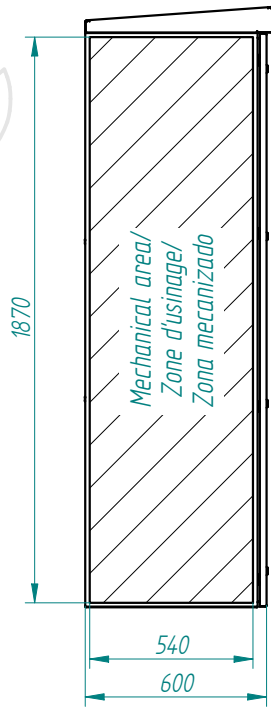
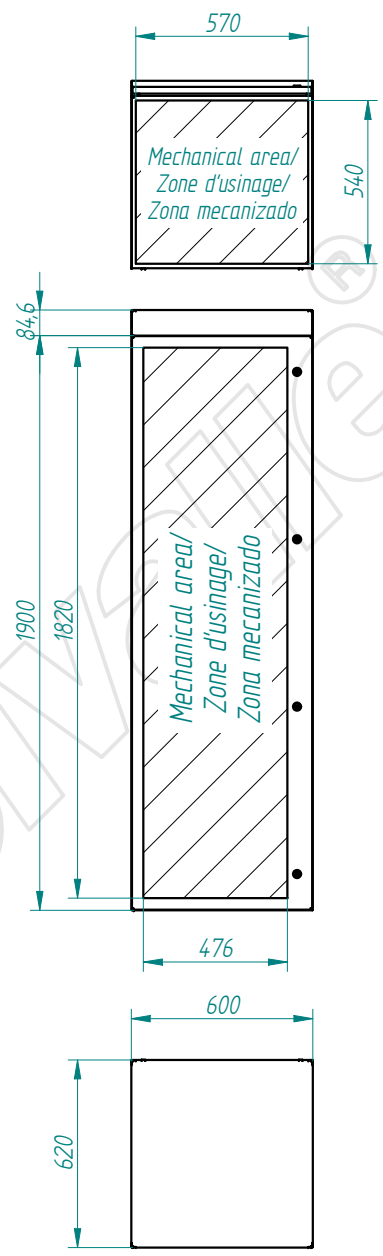
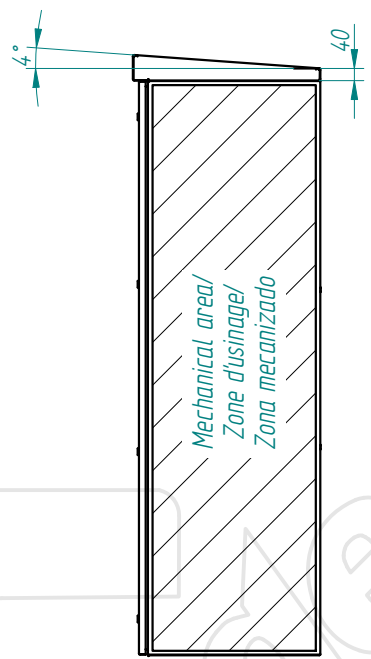
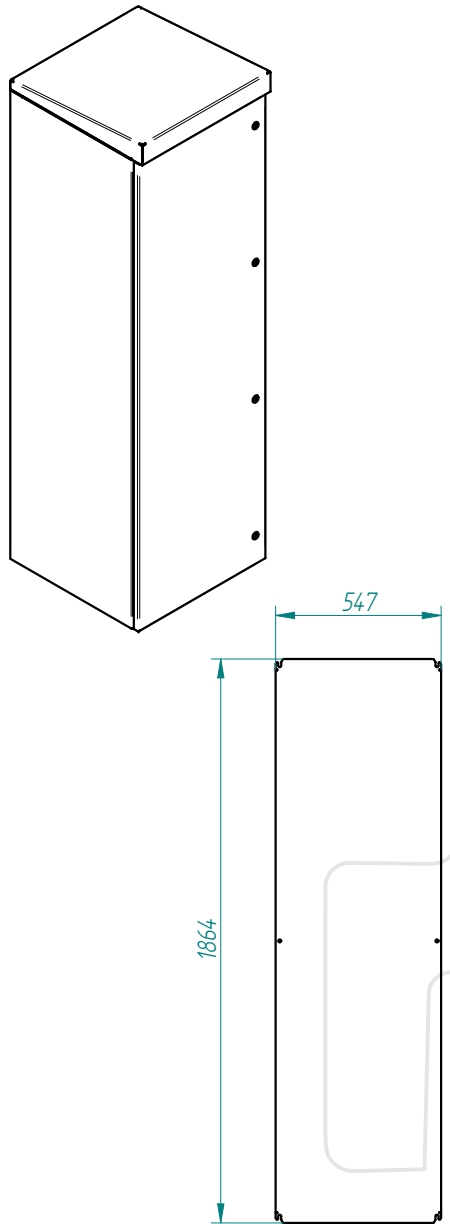
Referencia:

DIBUJADO:	FECHA:	FIRMA:
APROBADO:	10/09/2014	D.Martinez
DESIGNACIÓN:		
road -1900x600x500-estandar		

Nº PLANO:



This present document and its contents are confidential, and are the exclusive intellectual and / or industrial property of DELVALLE. In addition to any technology, design, invention, work, process, know-how, calculation, manual, method, solution, idea, improvement, drawing, diagram, modification, contribution and, in short, any associated information or documentation involving industrial or intellectual property developed or supplied by DELVALLE on the occasion of the quote, order execution or incorporated into the design or operation of the supply. The recipient may not use such property in his favour or in that of a third party for purposes other than the fulfilment of the order and the operation and maintenance of the supply, without the prior written consent of DELVALLE. It is strictly forbidden to totally or partially reproduce this document and to misuse it and / or to show it to third parties. The infringing parties shall be required to pay the corresponding compensation for damages, and any other legal or criminal responsibility is the infringement may give rise to.



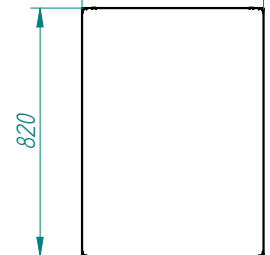
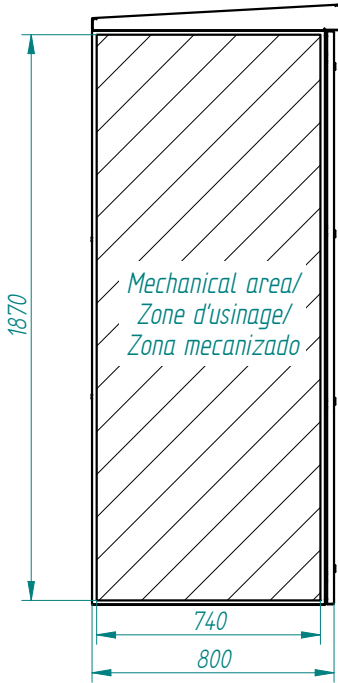
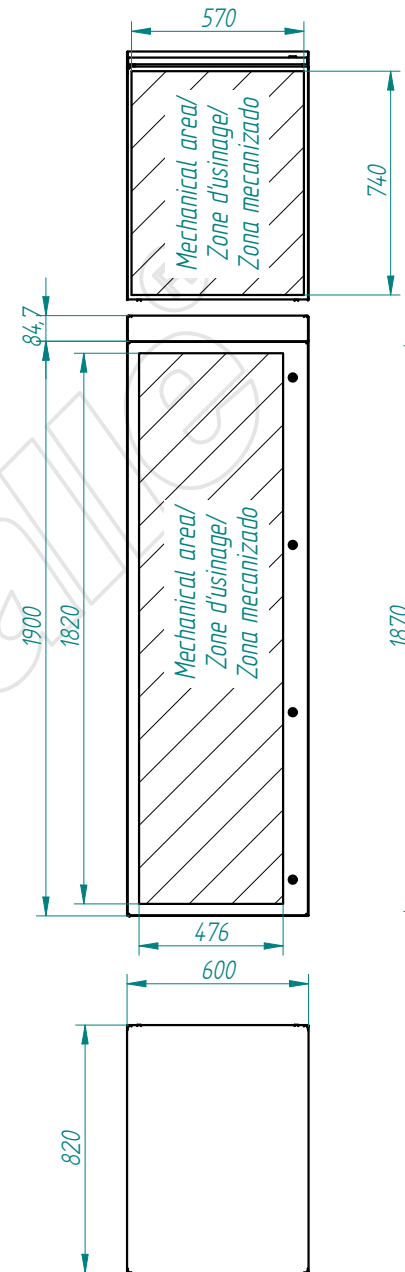
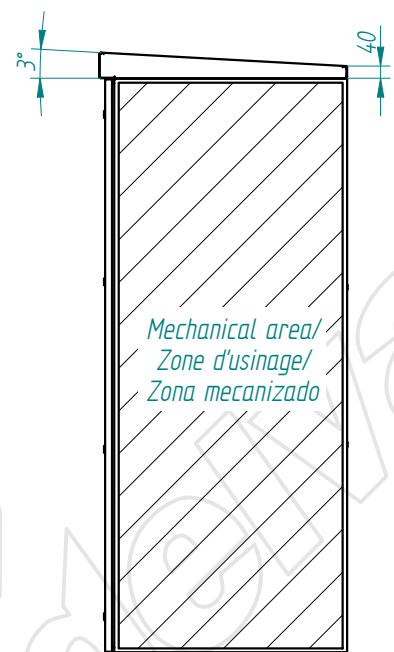
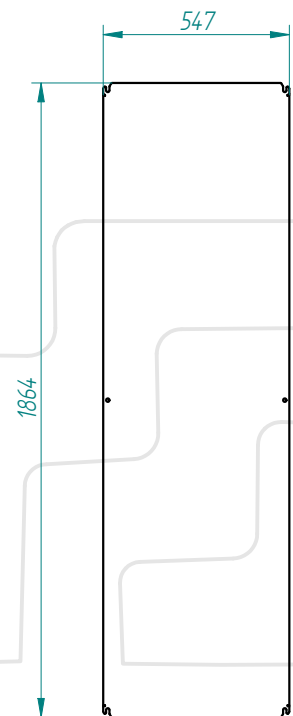
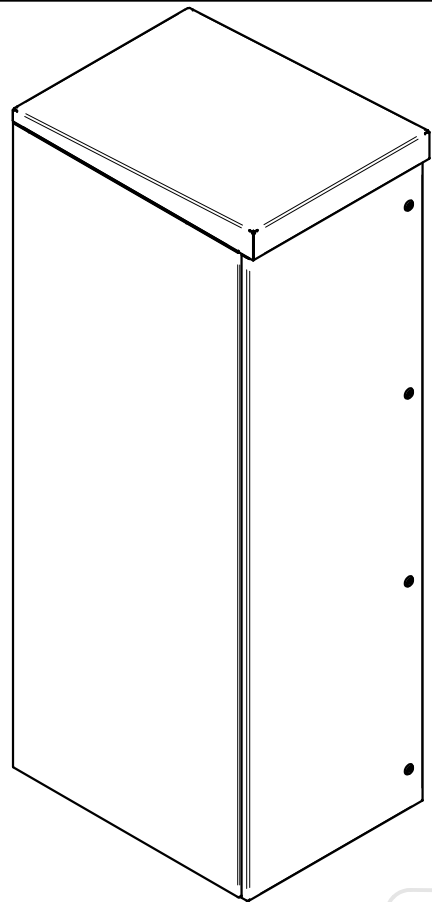
TOLERANCIA GENERAL DE MECANIZACION según DIN 7168	Creación del documento	10/09/2014	D.MTNEZ	A	Referencia: - plegado: acabado:
	MODIFICACIONES	FECHA:	FIRMA:	REVISIÓN:	


DIBUJADO:	FECHA:	FIRMA:
APROBADO:	10/09/2014	D.Martínez
DESIGNACIÓN:		
road -1900x600x600-estandar		

Nº PLANO:



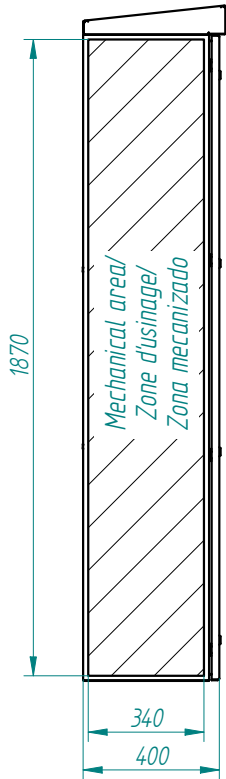
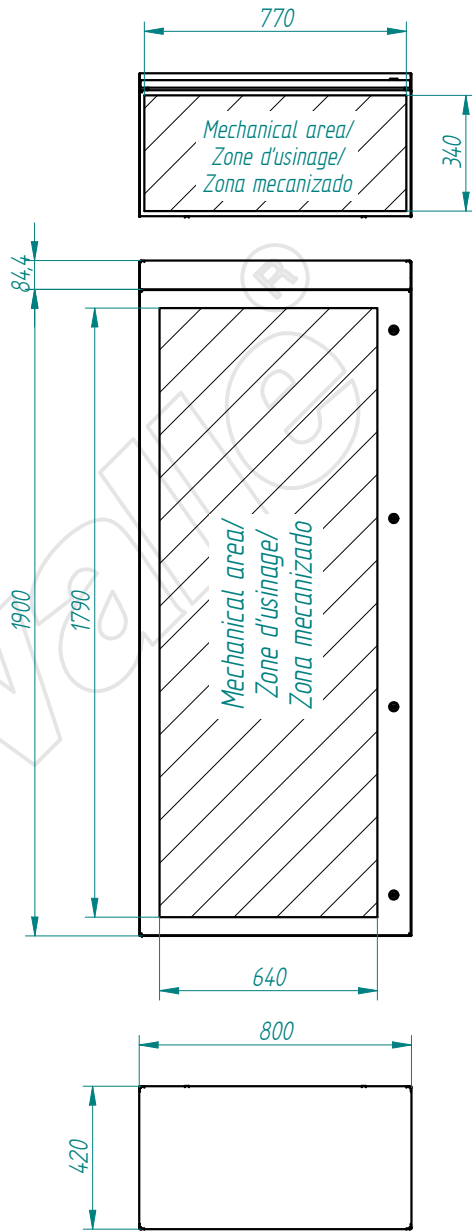
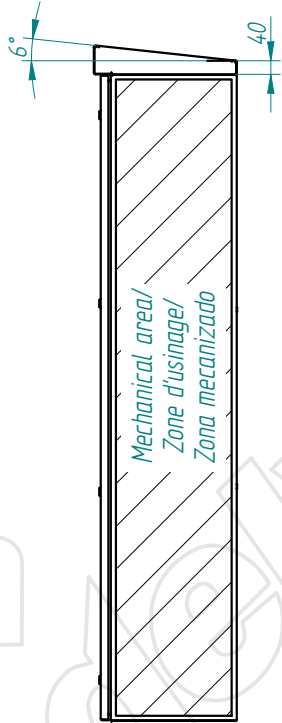
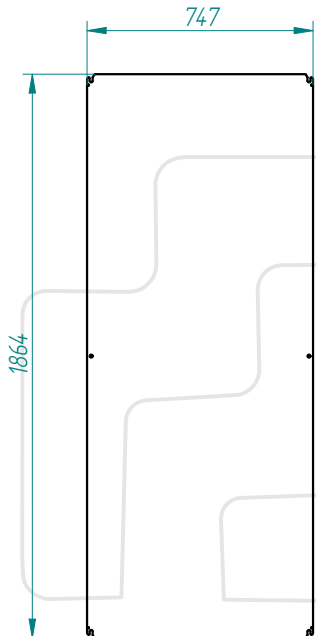
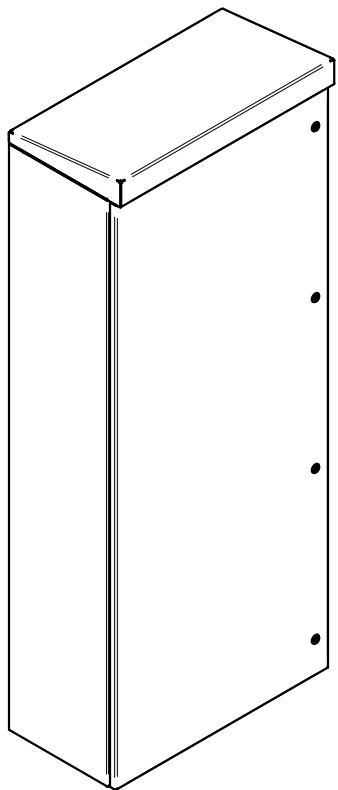

This present document and its contents are confidential, and are the exclusive intellectual and / or industrial property of DEVALLE. In addition to any technology, design, invention, work, process, know-how, calculation, manual, method, solution, idea, improvement, drawing, diagram, modification, contribution and, in short, any associated information or documentation involving industrial or intellectual property developed or supplied by DEVALLE on the occasion of the quote, order execution or incorporated into the design or operation of the supply. The recipient may not use such property in his favour or in that of a third party for purposes other than the fulfilment of the order and the operation and maintenance of the supply, without the prior written consent of DEVALLE. It is strictly forbidden to totally or partially reproduce this document and to misuse it and / or to show it to third parties. The infringing parties shall be required to pay the corresponding compensation for damages, and any other legal or criminal responsibility if the infringement may give rise to.




TOLERANCIA GENERAL DE MECANIZACION según DIN 7168					Referencia:		FECHA:	FIRMA:	
						DIBUJADO:	22/04/2015	D.Martínez	
						APROBADO:	22/04/2015	D.Martínez	
	Creación del documento	22/04/2015	D.MTNEZ	A	-	DESIGNACIÓN:			Nº PLANO:
	MODIFICACIONES	FECHA:	FIRMA:	REVISIÓN:	plegado: acabado:	road -1900x600x800-estandar			

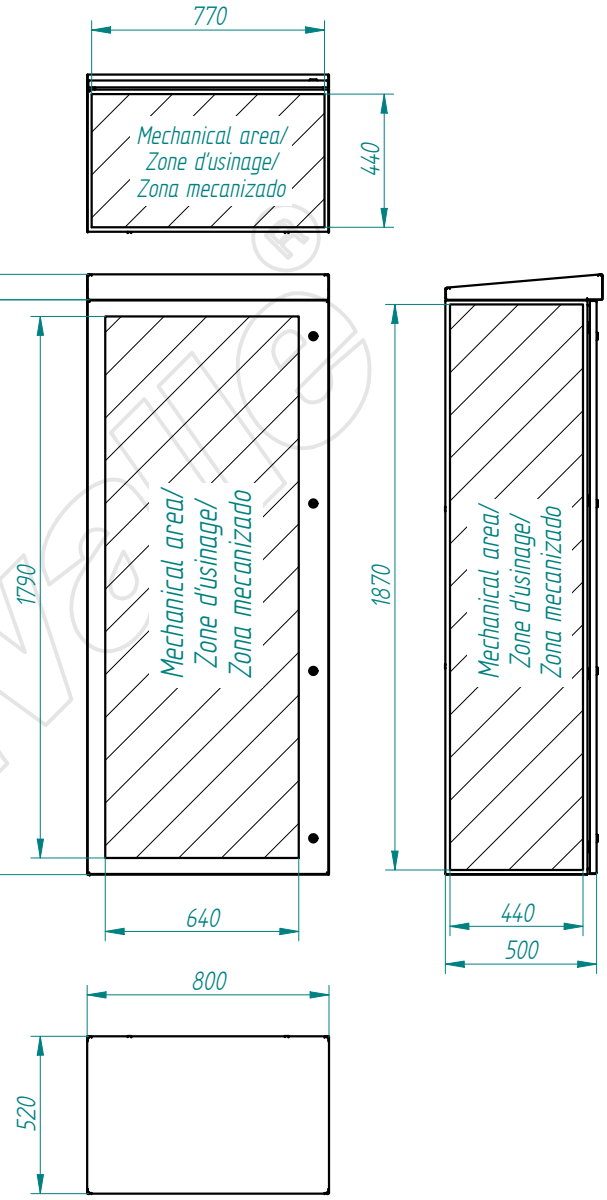
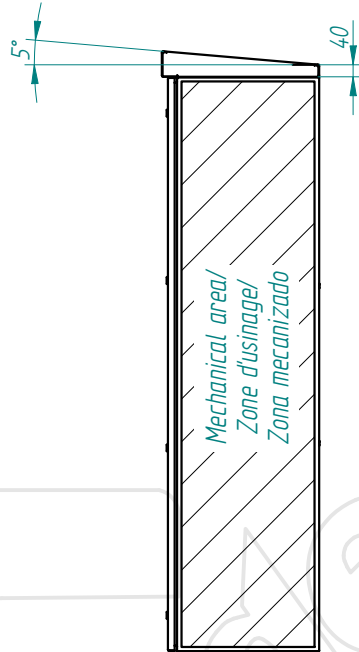
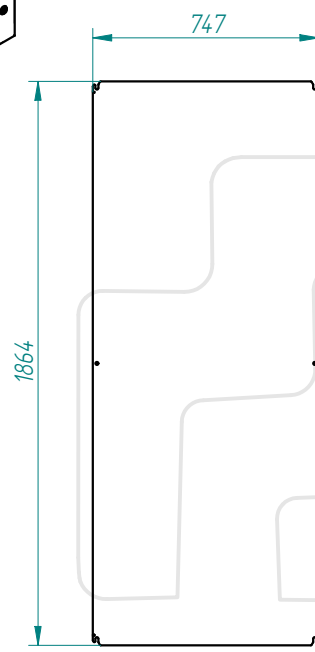
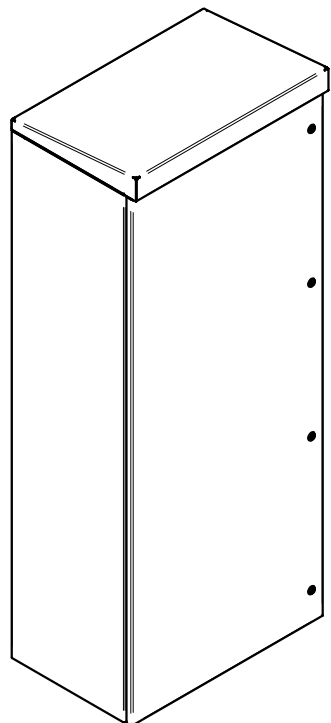


This present document and its contents are confidential, and are the exclusive intellectual and / or industrial property of DELVALLE .in addition to any technology, design, invention, work, process, know-how, calculation, manual, method, solution, idea, improvement, drawing, diagram, modification and, in short, any associated information or documentation involving industrial or intellectual property developed or supplied by DELVALLE on the occasion of the quote, order execution or incorporated into the design or operation of the supply. The recipient may not use such property in his favour or in that of a third party for purposes other than the fulfilment of the order and the operation and maintenance of the supply, without the prior written consent of DELVALLE. It is strictly forbidden to totally or partially reproduce this document and to misuse it and / or to show it to third parties. The infringing parties shall be required to pay the corresponding compensation for damages, and any other legal or criminal, responsible and the infringement may give rise to.



TOLERANCIA GENERAL DE MECANIZACION segun DIN 7168					Referencia: - plegado: - acabado:	DIBUJADO:	FECHA:	FIRMA:	 Nº PLANO:
						APROBADO:	22/04/2015	D.Martinez	
	Creación del documento	22/04/2015	D.MTNEZ	A		DESIGNACIÓN:	road -1900x800x400-estandar		
	MODIFICACIONES	FECHA:	FIRMA:	REVISIÓN:					

This present document and its contents are confidential, and are the exclusive intellectual and / or industrial property of DELVALLE. In addition to any technology, design, invention, work, process, know-how, calculation, manual, method, solution, idea, improvement, drawing, diagram, modification, contribution and, in short, any associated information or documentation involving industrial or intellectual property developed or supplied by DELVALLE on the occasion of the quote, order execution or incorporated into the design or operation of the supply. The recipient may not use such property in his favour or in that of a third party for purposes other than the fulfilment of the order and the operation and maintenance of the supply, without the prior written consent of DELVALLE. It is strictly forbidden to totally or partially reproduce this document and to misuse it and / or to show it to third parties. The infringing parties shall be required to pay the corresponding compensation for damages, and any other legal or criminal responsibility is the infringement may give rise to.

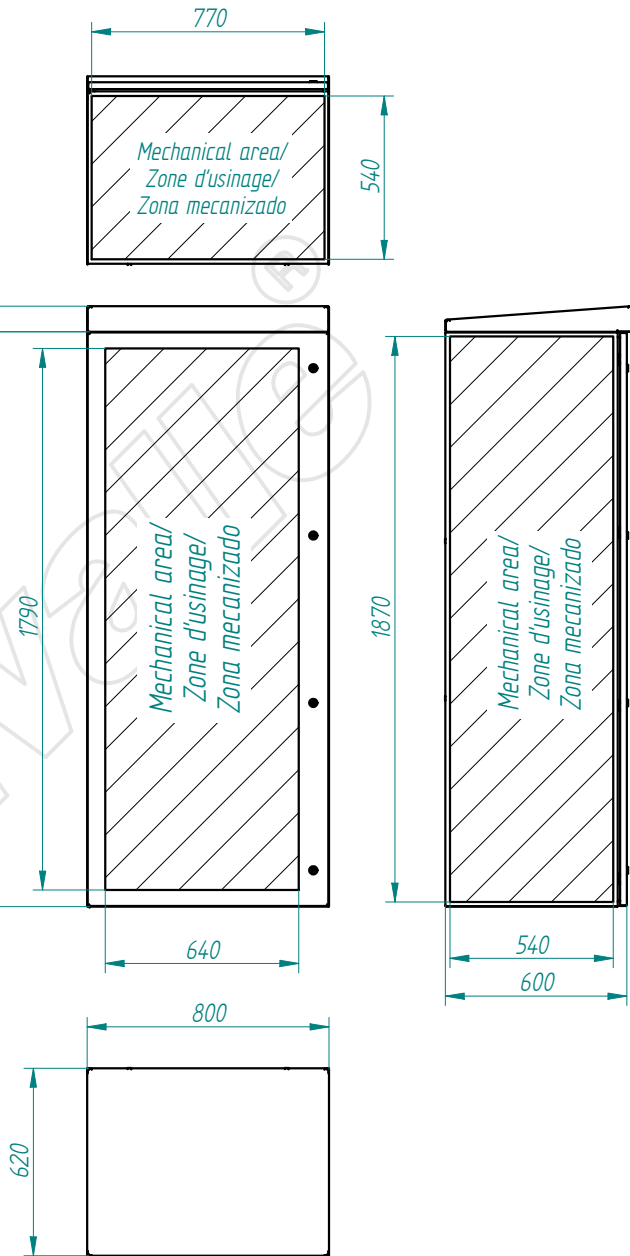
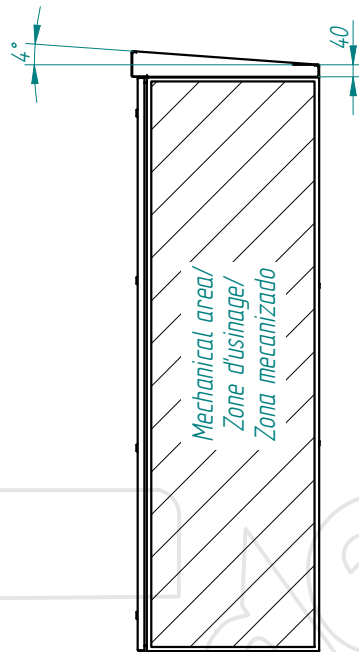
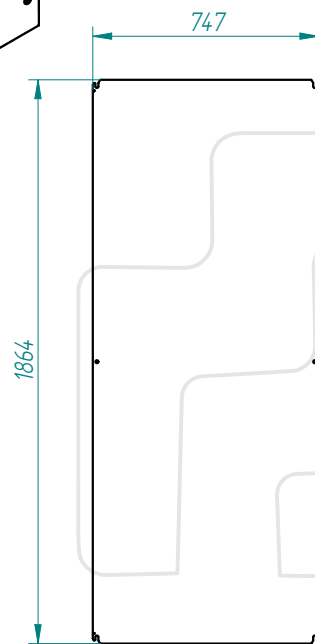
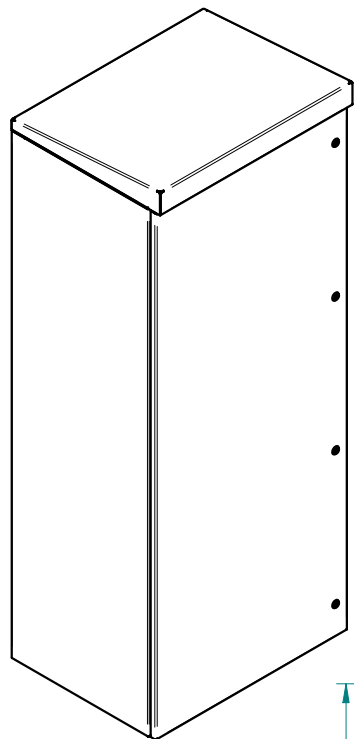



TOLERANCIA GENERAL DE MECANIZACION segun DIN 7168				
	Creación del documento	22/04/2015	D.MTNEZ	A
	MODIFICACIONES	FECHA:	FIRMA:	REVISIÓN:

Referencia:	DIBUJADO:	FECHA:	FIRMA:
	APROBADO:	22/04/2015	D.Martinez
DESIGNACIÓN:			Nº PLANO:
road -1900x800x500-estandar			



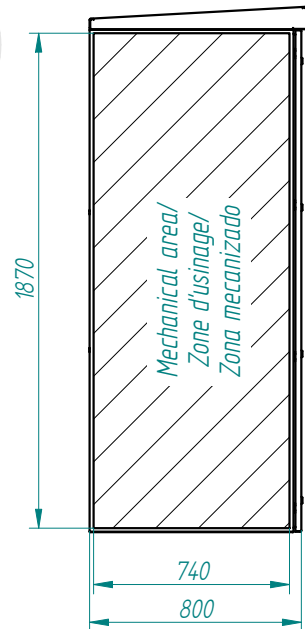
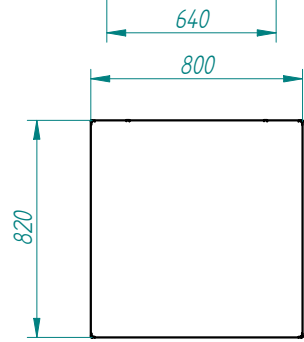
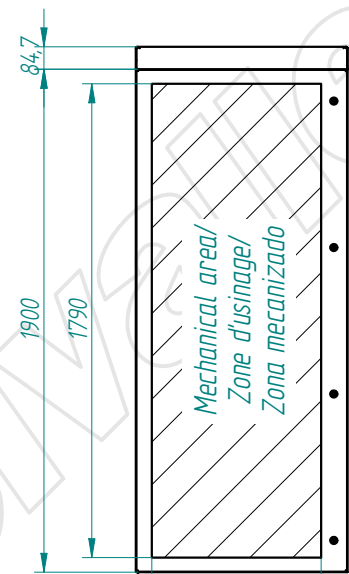
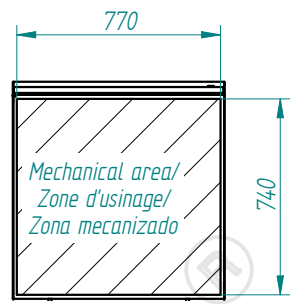
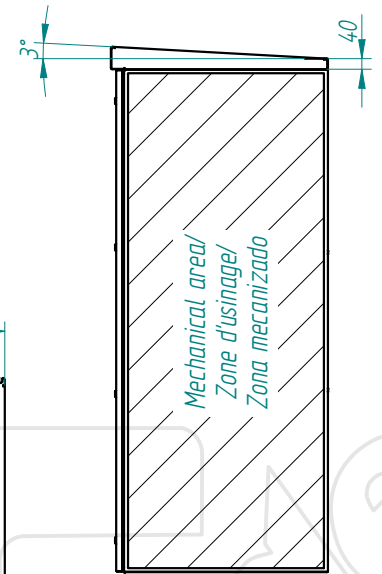
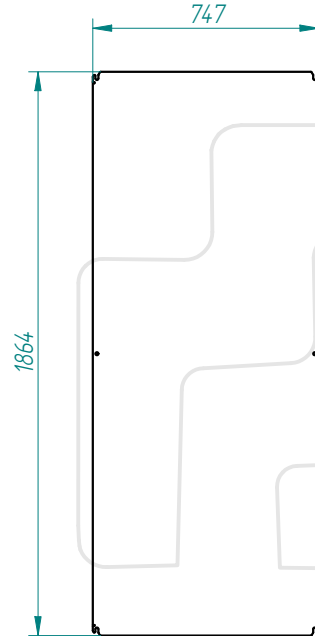
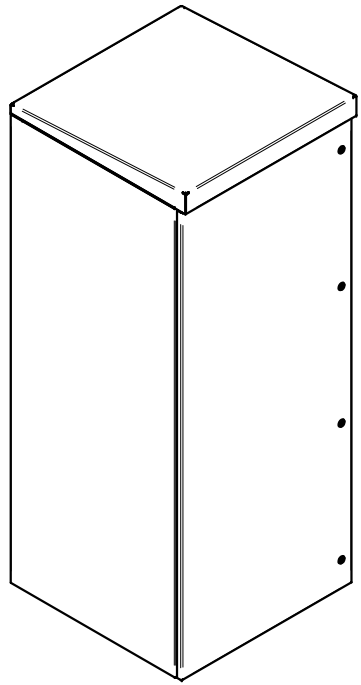

This present document and its contents are confidential, and are the exclusive intellectual and / or industrial property of DELVALLE. In addition to any technology, design, invention, work, process, know-how, calculation, manual, method, solution, idea, improvement, drawing, diagram, modification, contribution and, in short, any associated information involving industrial or intellectual property developed or supplied by DELVALLE on the occasion of the quote, order execution or incorporated into the design or operation of the supply. The recipient may not use such property in his favour or in that of a third party for purposes other than the fulfilment of the order and the operation and maintenance of the supply, without the prior written consent of DELVALLE. It is strictly forbidden to totally or partially reproduce this document and to misuse it and / or to show it to third parties. The infringing parties shall be required to pay the corresponding compensation for damages and any other legal or criminal responsibility. The infringement may give rise to.



TOLERANCIA GENERAL DE MECANIZACION según DIN 7168	Creación del documento	22/04/2015	D.MTNEZ	A	Referencia: - plegado: acabado.	DIBUJADO:	22/04/2015	FIRMA:	D.Martínez	
	MODIFICACIONES	FECHA:	FIRMA:	REVISIÓN:		APROBADO:	22/04/2015	D.Martínez	DESIGNACIÓN:	
						road -1900x800x600-estandar				



This present document and its contents are confidential, and are the exclusive intellectual and / or industrial property of DELVALLE. In addition to any technology, design, invention, work, process, know-how, calculation, manual, method, solution, idea, improvement, drawing, diagram, modification, contribution and, in short, any associated information or documentation involving industrial or intellectual property developed or supplied by DELVALLE on the occasion of the quote, order execution or incorporated into the design or operation of the supply. The recipient may not use such property in his favour or in that of a third party for purposes other than the fulfilment of the order and the operation and maintenance of the supply, without the prior written consent of DELVALLE. It is strictly forbidden to totally or partially reproduce this document and to misuse it and / or to show it to third parties. The infringing parties shall be required to pay the corresponding compensation for damages, and any other legal or criminal responsibility if the infringement may give rise to.



TOLERANCIA GENERAL DE MECANIZACION según DIN 7168	Creación del documento	22/04/2015	D.MTNEZ	A
	MODIFICACIONES	FECHA:	FIRMA:	REVISIÓN:

Referencia:	DIBUJADO:	22/04/2015	FIRMA:	D.Martínez
	APROBADO:	22/04/2015	FIRMA:	D.Martínez
DESIGNACIÓN:				Nº PLANO:
road -1900x800x800-estandar				

