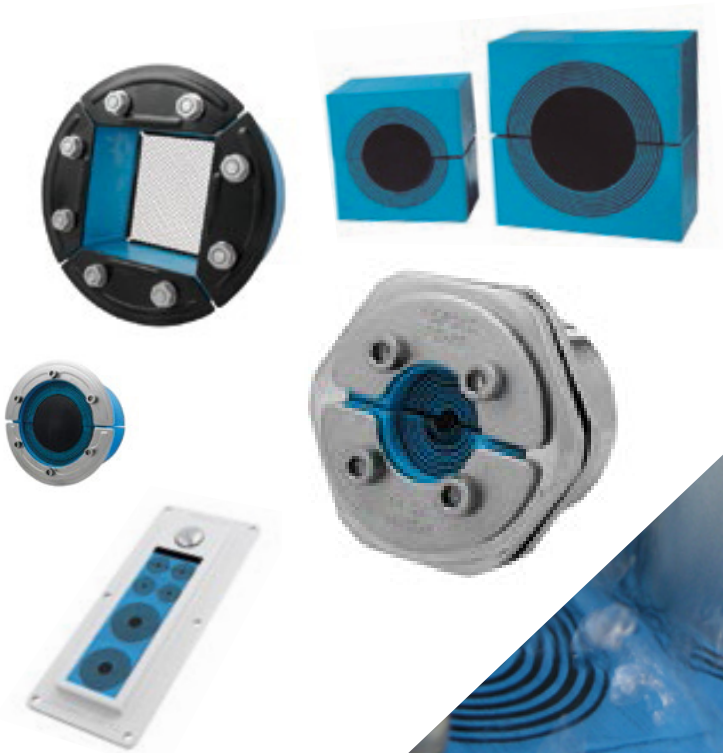




Enclosures & Cabinets for Special Requirements
comercial@delvalle.es | www.delvallebox.com

Cable entry seals for Enclosures & cabinets **ROXTEC**

INTEGRATOR
SPECIALIST





WE PUT AT YOUR DISPOSAL

We offer over **40 years** providing solutions to demanding customers who require very specific characteristics and behaviour according to the sector and their needs.

WHEREVER YOU GO

We are committed to working closely with our customers, providing them with **exceptional service** and offering an advanced and extensive range of products with very competitive prices.

HIGH STANDARD OF QUALITY AND SERVICES

We only use materials provided by companies who offer the very **highest quality**, suitable and certified products. Our success is due to top quality assurance: ISO 9001, SGS, UL, TÜV, ISO 14000 and Ohsas 18001.

CUSTOMIZE TOTALLY YOUR ENCLOSURE

Our production systems can give custom-made solutions **on demand**. Every colour from RAL chart is available to be personalized. A variety of protection standards thanks to our own painting facilities.

CONTACT US

Confidentiality, reliability & quality

www.delvallebox.com
comercial@delvalle.es
+34 945 601 381

ALSO ONLINE

Please contact our technical sales department.

A team of professionals with high experience and ability to solve all your queries.

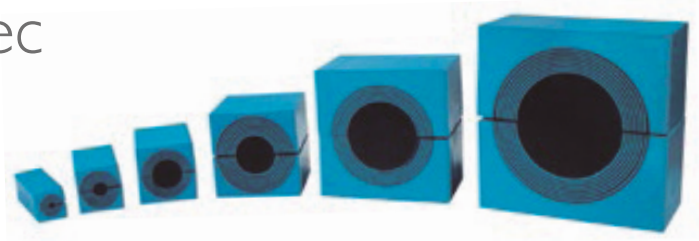


Multidiameter™ by Roxtec

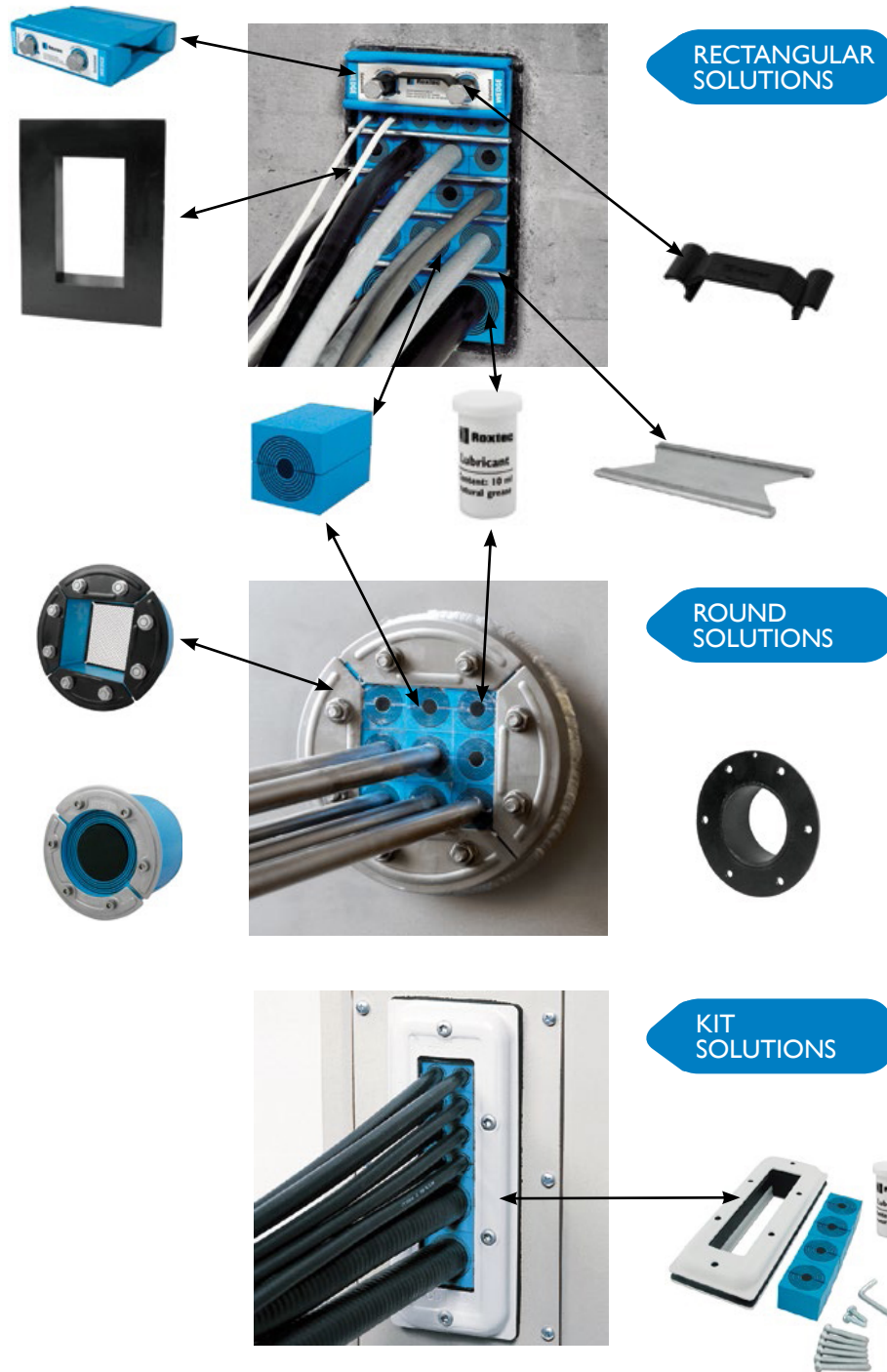
SIX MODULE SIZES

Our adaptable solution Multidiameter™, based on sealing modules with removable layers, makes installation easy and safe.

The modules consist of two halves and a center core. You can seal cables or pipes of several different sizes simply by peeling off layers from the

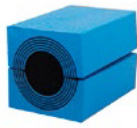


module halves, until a perfect fit is achieved. If not removed, the center core turns the module into a spare capacity unit.

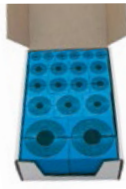


Roxtec sealing system

MODULES



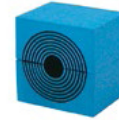
RM MODULE



RM MODULE KIT



WAVEGUIDE CORE



CM MODULE

RECTANGULAR FRAMES



S FRAME



SRC FRAME



SK FRAME



SBTB FRAME



SF FRAME



GHM FRAME



G FRAME



B FRAME



SWAN NECK FRAME



KFO FRAME



COMPLUS FRAME



COMSHELT™



COMSEAL™



COMSEAL™ LW



COMSEAL™ AISI 316



CF 8 FRAME



CF 32 FRAME



CF 16 FRAME



CF 24 FRAME



EZEntry™



C COM SHELT™



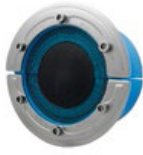
C KFO FRAME

Roxtec sealing system

ROUND FRAMES / SEALS



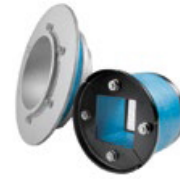
R FRAME



RS SEAL



RS OMD SEAL

RS PPS
BACK-TO-BACK SEALRS PPS/S
SINGLE-SIDE SEAL

R X SEAL



R X SEAL



C RST SEAL



RG M63 SEAL



CRL SEAL

SLEEV-IT™ FIRE
PENETRATION SEALSLEEV-IT™ WATERTIGHT
PENETRATION SEALSLEEV-IT™
TRANSITION COLLAR

ASSEMBLY PARTS



WEDGE KIT



WEDGE



STAYPLATE



C WEDGE KIT



C WEDGE



C STAYPLATE



LUBRICANT



ASSEMBLY GEL

ACCESSORIES



GE EXTENSION FRAME



SE PPS EXTENSION



LUBRICANT



ASSEMBLY GEL

Roxtec sealing system

ACCESSORIES



CASTING MOULD



CASTING MOULD



DD COVER



GASKETS



PRE-COMPRESSION
WEDGE



PRE-COMPRESSION
TOOL



PRE-COMPRESSION
ECCENTRIC TOOL



PRE-COMPRESSION
HANDGRIP TOOL



WEDGE PULLER



RG M63 TOOLS



PRESSURE TEST PIPE



STAYPLATE
CLAMPS

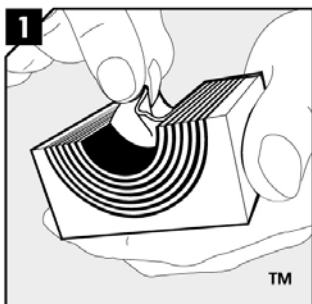


STAYPLATE
CLIPS

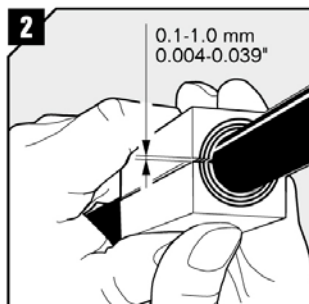


MODULE
ADAPTION INDICATOR

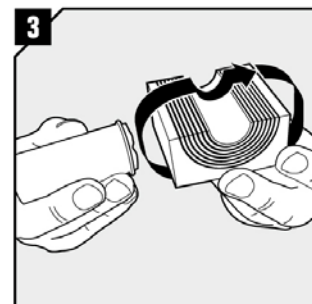
INSTALLATION (BASIC STEPS)



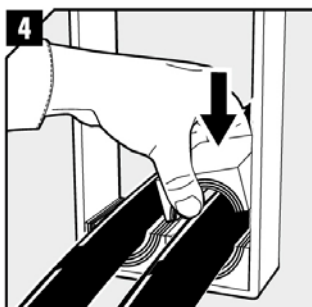
Adapt modules, which are to hold cables or pipes, by peeling off layers until you reach the gap seen in pic. 2. The halves may not differ by more than one layer.



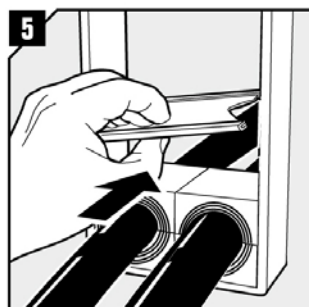
Achieve a 0.1-1.0 mm gap between the two halves when held against the cable/pipe.



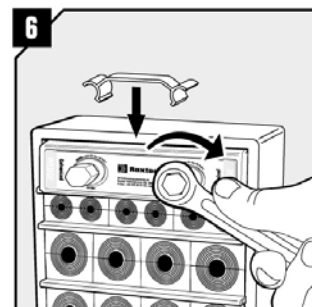
Lubricate all modules for the frame thoroughly, both the inside and the outside surfaces.



Insert the modules according to your installation plan (transit plan). It is recommended to seal cables/pipes at the bottom of the frame and put spare modules on top.



Insert a stayplate on top of every finished row of modules.



Insert the Roxtec Wedge and tighten the screws until full stop. Attach the Wedge Clip to the wedge bolts to check that the wedge is properly tightened.



ABOUT ROXTEC

- World leader in seals for multiple cables and pipes
- Founded in Sweden in 1990
- Inventor of Multidiameter™
- Local support in more than 70 markets
- Certified according to ISO 9001/14001 and EN 13980
- More than 250 product certifications and safety listings

A truly flexible sealing system	4
No more cutting off connectors	5
More cable, less cabinet	6
Certified protection	7
Roxtec cable sealing solutions for every industry	8
Roxtec solutions for bonding, grounding and EMC	12
Roxtec Transit Designer™	14
We create customized solutions	15
Roxtec cabinet seal selection guide	16

ROXTEC CABINET SEALING SOLUTIONS

ComSeal LW	18
CRL	20
ComSeal	22
ComShelt	25
C ComShelt	27
EzEntry	29
CF 24	32
RG M63	34
C RS T	36
CF 8/CF 32	38
CF 16	40
HD 32	42
C KFO	44
Modules and wedge for C KFO	46
KFO	47
GHM	49
Modules and wedge for KFO and GHM	51
Installation tools	52

A truly flexible sealing system

Multidiameter™ by Roxtec

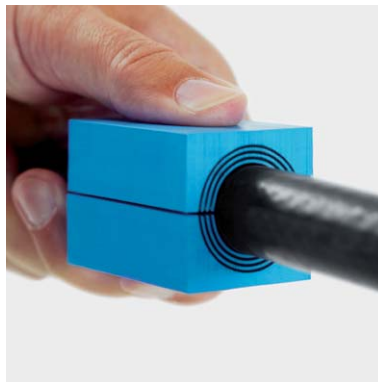
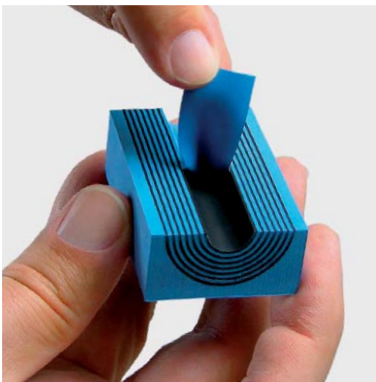
Our innovative solution for adaptability simplifies design, installation and maintenance. Our sealing modules have removable layers enabling a perfect fit to cables and pipes of different sizes. Just peel off layers until the module fits.

Install today, expand tomorrow

One area efficient Roxtec seal can replace up to 32 traditional cable glands. The built-in spare capacity makes it easy to open up the seal and change or add cables, without punching new holes or adding material, whenever there is a need.

BENEFITS

- Plan for extra capacity
- Save design and installation time
- Avoid costly surprises onsite
- Add cables without adding cost



No more cutting off connectors



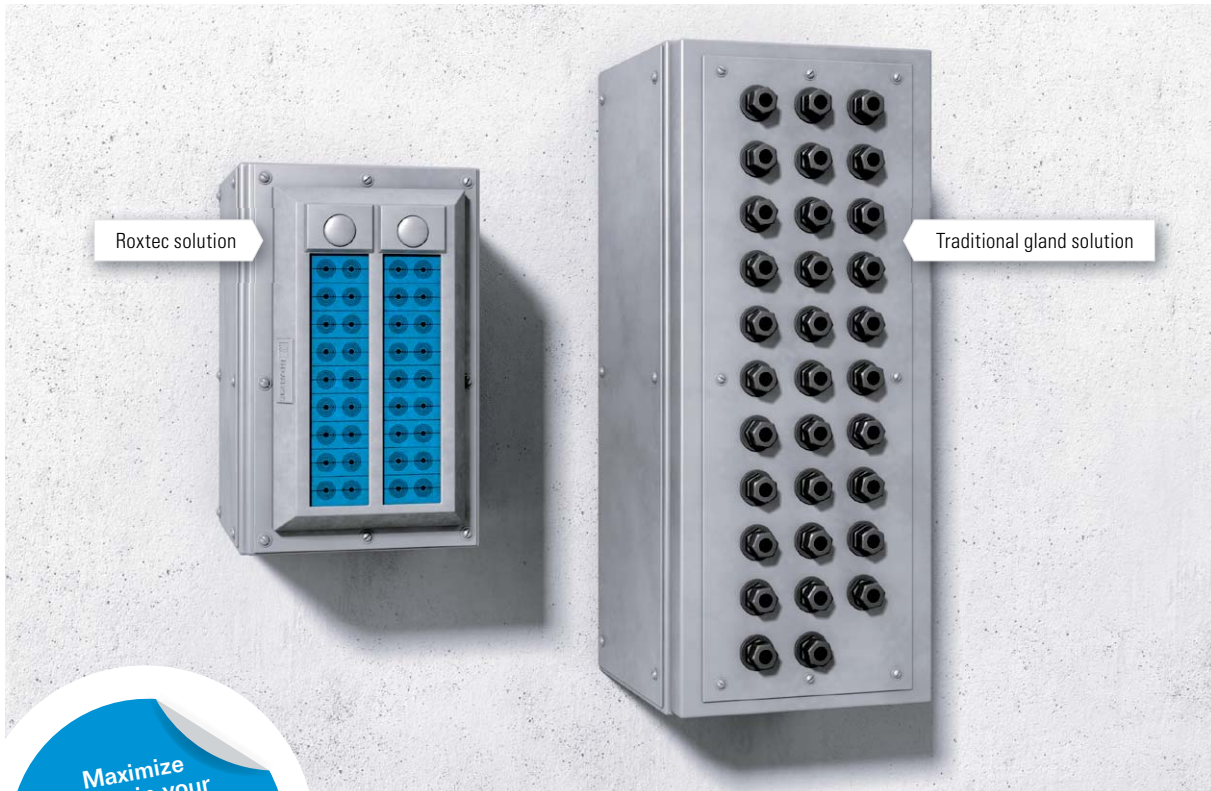
Roxelte sealing solutions allow you to route and seal pre-terminated cables without cutting connectors.

Roxelte seals have large openings making them ideal for use with pre-terminated cables. You can adjust and trim your system at the factory and eliminate the time-consuming and insecure cutting and re-attaching of connectors onsite. The result is better connectivity and less risk for EMI and signal loss.

BENEFITS

- Maintain the integrity of the connection
- Long-term operational reliability
- Shorter installation times
- Reduction of installation costs

More cable, less cabinet



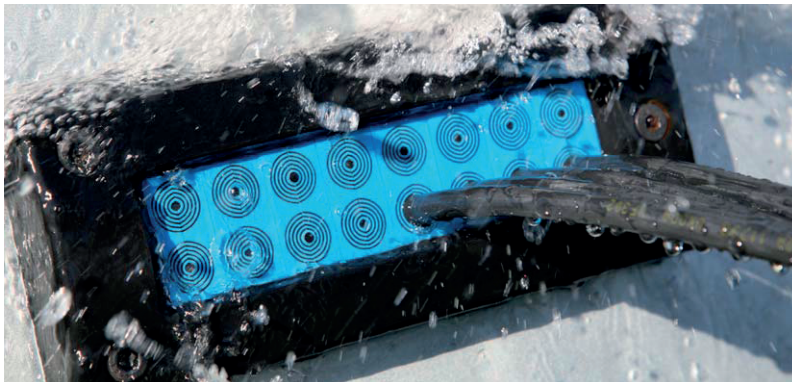
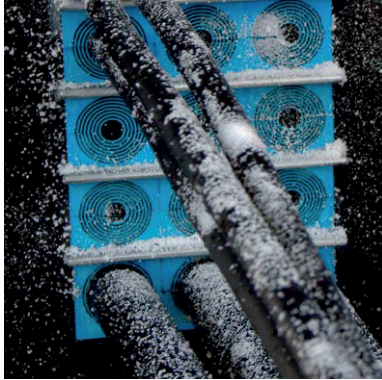
Maximize space in your cabinets. Avoid drilling – and the risk of new leak paths.

Roxtec seals allow multiple cables or pipes through one opening. You eliminate the need for punching holes for cable glands and make it possible to reduce the size and cost of cabinets. The seals can be pre-packed for quick field installation.

FEATURES AND BENEFITS

- Multiple cables and pipes per opening
- Enables smaller cabinets
- Allows work-bench assembly
- Adapter plates for cabinets

Certified protection



Roxtec cable and pipe entry seals provide protection against a wide range of hazards. Typical examples are gas, smoke, dust, fire, vibration and electromagnetic interference. Roxtec offers sealing solutions that are certified by industry recognized certifying authorities and have been tested and found compliant by recognized testing laboratories worldwide.

TESTED AND APPROVED

- IP 54, IP 66/67, IP69K
- Fire protection
- Water-tightness
- Vibration damping
- IECEx/ATEX
- UL/NEMA 3, 3R, 4, 4X, 12, 12K and 13
- EMC
- Pull-out resistance

Fewer warranty claims

By standardizing with Roxtec, our customers have been able to achieve safer and more reliable installations of cables with connectors. This reduces their costs for repairs after delivery due to component failure and improper routing.

Roxtec cable sealing solutions for every industry

Thanks to their reliability and extreme flexibility, our sealing solutions are used in a wide range of industries and applications. You find Roxtec seals for cabinets and enclosures in demanding environments on land and at sea all over the world.



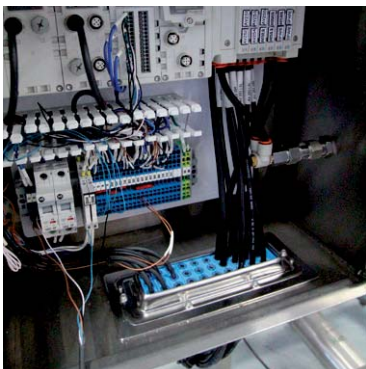
MACHINE BUILDERS/ PANEL SHOPS



Power supply cabinet: The Roxtec CF 32 can accommodate several cables in a small space.



Robotic routing machine control cabinet: The compact design of the Roxtec CF 16 maximizes free space.

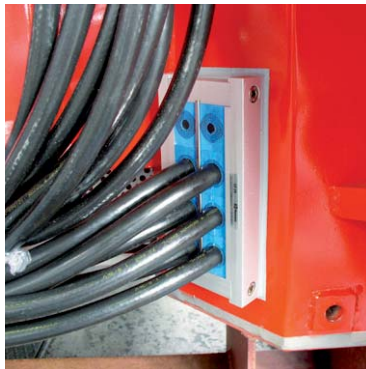


High pressure wash down environments: The Roxtec CF 16 AISI 304 maintains high sanitary requirements.

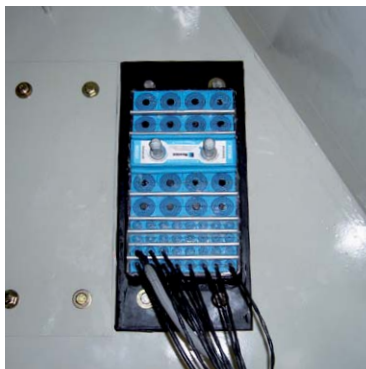
ROLLING STOCK



Driver cab and engine room: Customized sealing solution installed to keep tight between the driver cab and engine room.



Light railway vehicle: The fire rated Roxtec CF 24 F1 helps ensure passenger safety by preventing the spread of fire into the passenger compartment.

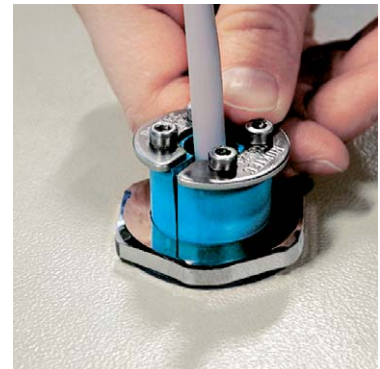


Fire-proof and pressure resistant cable seal.

MILITARY VEHICLES



V-hull vehicles: The Roxtec CF 16 cable seal is used in the walls and on the roof/ceiling of vehicles to prevent the ingress of water and dust.



Ambulances: The Roxtec C RS T seal for roof-top cable entries.



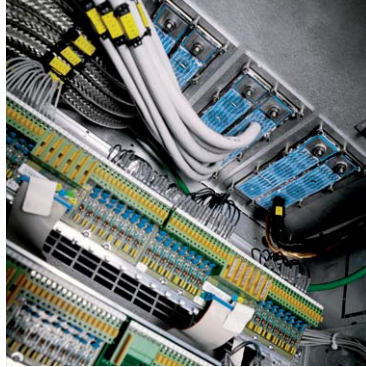
Radar control cabinet: The Roxtec CF 32 is used for sealing cables to radar systems.

CONSTRUCTION



Transformers and switchgear: The Roxtec GHM solution provides protection to ensure operational reliability.

POWER (WIND, NUCLEAR, SOLAR)



I/C cabinets: Neat and area efficient cable entry seals suitable for safety and non-safety applications.

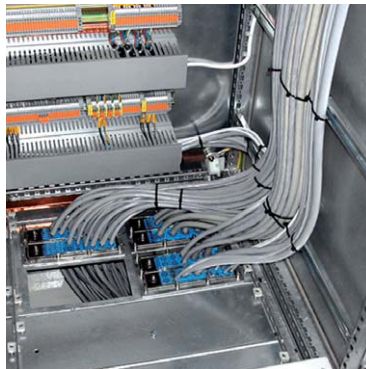
PROCESSING AND HEAVY INDUSTRIES



Ex e terminal box: The Roxtec CF 32 Ex frame can accommodate 32 SWA or MC cables.



Converter system: The Roxtec EzEntry™ cable entry seal protects against dust and water.



Control cabinets: The Roxtec CF 32 PE for potential equalization is used for generator and turbine cubicle marshalling.



DCS/PLC and I/O marshalling cabinets: Roxtec solutions reduce required cabinet space, ensure functionality and provide capacity for additional cables.



Junction boxes and control cabinets: The Roxtec CF 32/32 provides IP 67 and NEMA 4 protection, sealing up to 32 cables in a single small cut-out.



Wind turbine: Roxtec transits for potential equalization as well as the Roxtec standard system for control cabinets in the nacelle.



Instrumentation and communication: The Roxtec CF 32 provides protection against coal dust.

OFFSHORE OIL AND GAS



Generators, thrusters and motor terminal boxes: IP and vibration protection. The seals allow routing of cables with terminations. Available in EMC versions.

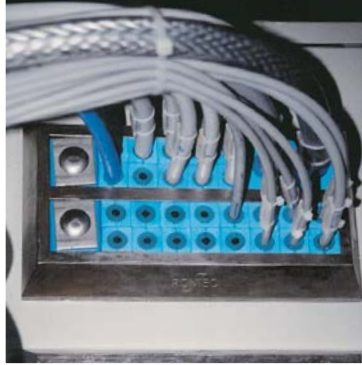


Bonding and grounding: Roxtec BG™ provides solutions for termination of conduits, armored and metal clad cables in control cabinets and junction boxes.

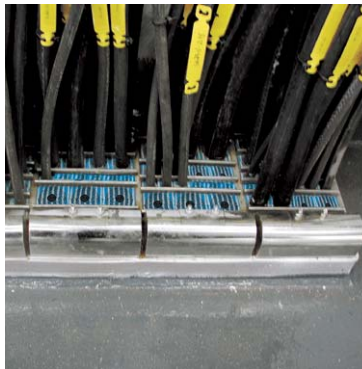


The Roxtec HD 32 is our lighter frame, a bolted alternative that is suitable for both indoor and outdoor applications. EMC versions also available.

MARINE



Captain's bridge: Route wiring through Roxtec cabinet seals and into enclosures without compromising IP ratings.



Radio room: RFI shielded EMC and firestop solutions for radar and navigation equipment in bulkheads.

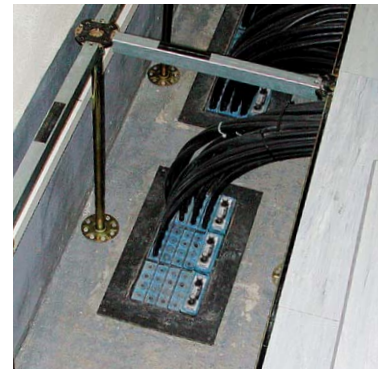


Generators and propulsion system: Roxtec seals are adaptable to fit cables and pipes of different sizes.

TELECOM



Base station shelter: The Roxtec CRL provides increased line capacity to maxed-out entry port panels without modification of the existing shelter or entry port.

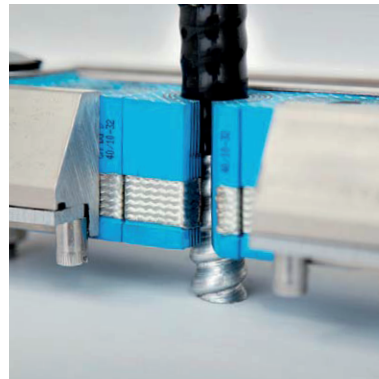
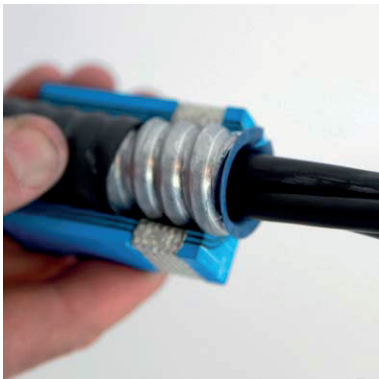


Communication centers: The Roxtec GHM solution seals fiber optics and cables in floors and outer walls.



Telecom cabinet: The Roxtec RG M63 cable glands are weather, water, pest and dust tight.

Roxtec BG™ B for bonding and grounding



The Roxtec BG B and BG (bonding and grounding) product family is our cable entry system for sealing large quantities of metal clad or armored cables in the least amount of space. Use it in building structures, cabinets and enclosures to save design and installation time – and to reduce weight and costs!

Save space and money

Roxtec BG B and BG solutions are lighter and up to 70 percent more area efficient than cable glands and a direct replacement to glands for terminating metal clad and armored cable types. With a single cable entry from Roxtec, you can seal varying outside diameters of single or multiple cables while ensuring a certified bonding or grounding termination.

More cables, less cabinet

For cabinets and electrical enclosures, Roxtec BG B and BG solutions allow for the size and weight of cabinets to be greatly

reduced. A single cut-out for a standard Roxtec CF 32 BG B kit can accommodate up to 32 cables, which drastically reduces the amount of space required when compared to 32 individual cable glands.

Replacing “pig-tails”

Flattened braids, combining large copper masses in a flat form, are often used to ensure earth paths for higher frequencies. The Roxtec BG B and BG solution has such a braid embedded and surrounded by the solid metal frame. This solution can easily replace weak solutions such

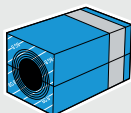
as “pig-tails” – individual earthing conductors connecting the cable armor to the earthing bar.

FEATURES AND BENEFITS

- Bond and ground metal clad and armored cables
- Ensure electrical safety and protect life and assets
- Reduce the area required by 70% compared to cable glands
- Perfect for walls, floors, cabinets and enclosures
- Fire rated and available for hazardous locations (Ex)

ROXTEC BG™ B PRODUCT LINE

Roxtec BG B provides electrical safety and protection against lightning strikes.



Roxtec BG B/BG (bonding and grounding) handles high currents and bonds and grounds armored or shielded cables. It has high current withstand capability for short-circuit and surge currents.

Roxtec EMC solutions



Ensuring EMC, electromagnetic compatibility, is a two way challenge. You must limit the effects of EMI, electromagnetic interference, entering the enclosure, while minimizing the potential for EMI generated within the enclosure from escaping and causing interference with nearby electronics.

Multiple risk prevention

Roxtec EMC solutions can perform multiple risk prevention functions at the same time. They can combine protection against disturbances from technical systems with protection against risk factors such as fire, smoke, water, gas, explosion and vibration. So why use many components, labor time and space when one Roxtec system is enough?

Increased EMI exposure

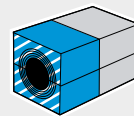
Electromagnetic disturbances travel either conducted along a metallic object or propagate through air. The conductive armor in a cable can carry unwanted signals and cause interference in a system far away from the original source. It is crucial for designers, engineers and owners to consider the risk of EMI exposure and to include EMC into the initial electrical design for cabinets, enclosures, and terminal and junction termination boxes. Roxtec seals support best practice EMI protection principles by providing a single entry and by integrating the earth path.

Electromagnetic shielding

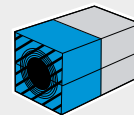
Roxtec also provides solutions for cables going in or out of electromagnetically sealed enclosures. The seals are tested to a minimum of 18GHz to prove the shielding effectiveness. Transfer impedance from cable shield to frame is also measured up to 30MHz.

ROXTEC EMC PRODUCT LINES

Roxtec EMC solutions provide protection against EMI.



Roxtec ES provides electromagnetic shielding. It blocks and diverts high frequency radiated and conducted EMI and electromagnetic pulses, EMP.



Roxtec PE provides protection against conducted EMI carried by cable screens or metal pipes.

Roxtec Transit Designer™

The Roxtec Transit Designer is a free, web-based engineering tool. It reduces project risks and simplifies product selection as well as the entire process of designing, purchasing and installing cable and pipe transits.

Its batch import with auto validation feature helps designers create and update thousands of transits automatically and take full control of their largest project designs. They can also validate their complete project by using the Roxtec CAD symbols and the Roxtec Transit Designer for easy incorporation of the transits into the design.

Always available, everywhere

The Roxtec Transit Designer is accessible online. Share your work with project teams anywhere in the world, and our experts are available through the chat function.

To start using it, sign-up on www.roxtec.com.



FEATURES

- Free web-based application
- Simple product selection
- Manufacturer-approved outputs
- Improves project efficiency
- Batch import with auto validation
- Import multiple transits to speed up design work

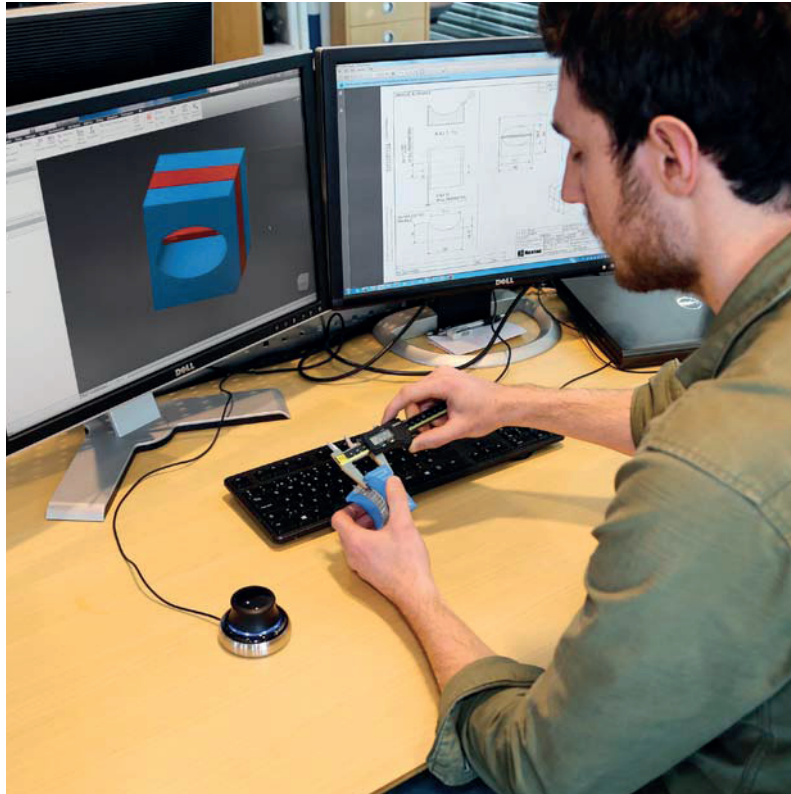
SIMPLE USER INPUT

Cable/pipe schedule or estimates
Sealing/certification requirements
Installation preferences
Material quality selection

APPROVED OUTPUT

2D drawings in DXF and PDF
3D STEP
Bill of material in Excel
Installation instructions

We create customized solutions



We are here to solve your sealing problem – even when it requires the creation of a new customized solution. We have an entire Customer Service team with designers and engineers ready to develop tailored seals according to your needs.

Experience in innovation

If you need a special solution, just inform your local Roxtec representative about the specific requirements. In many cases, we have already supplied a similar sealing solution, somewhere in the world, allowing us to respond very quickly to your request.

ROXTEC CABINET SEAL SELECTION GUIDE



ComSeal LW



CF 8/32



CF 16



EzEntry



RG M63



ComSeal

RATINGS						
IP 44	✓					
IP 54						
IP 55						✓
IP 66/67		✓	✓	✓	✓	
IP 69K						
TRANSIT						
Single cable					✓	
Multiple cables	✓	✓	✓	✓	✓	✓
MATERIAL						
Composite frame				✓		
Aluminum	✓	✓	✓			✓
Nickel-plated brass					✓	
Stainless steel			✓		✓	✓

UL FILE NUMBERS

COMPANY NAME	CATEGORY NAME	LINK TO FILE
Roxtec Inc	Firestop Devices	XHJI.R16085
Roxtec Inc	Firestop Devices Certified for Canada	XHJI7.R16085
Roxtec Inc	Industrial Control Panels – Component	NITW2.E197106
Roxtec Inc	Industrial Control Panels Certified for Canada – Component	NITW8.E197106
Roxtec Inc	Plastics – Component	QMFZ2.E179133
Roxtec International AB	Firestop Devices	XHJI.R15556
Roxtec International AB	Firestop Devices Certified for Canada	XHJI7.R15556
Roxtec International AB	Industrial Control Panels – Component	NITW2.E209828
Roxtec International AB	Industrial Control Panels Certified for Canada – Component	NITW8.E209828
Roxtec International AB	Plastics – Component	QMFZ2.E185619

For more information, go to www.roxtec.com



C RS T



HD 32



GHM



KFO



CF 24



C KFO



C ComShelt

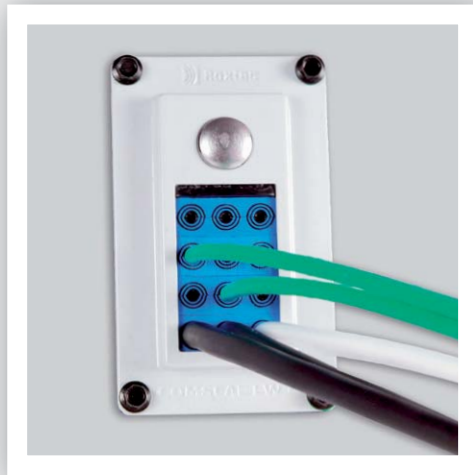


CRL

							✓
					✓	✓	
✓	✓	✓	✓	✓			
✓							
✓							✓
	✓	✓	✓	✓	✓	✓	✓
			✓		✓	✓	✓
				✓			
✓							
✓	✓	✓					
Ex		⚡					

Available in Ex version

Available in EMC version



Roxtec ComSeal™ LW

The Roxtec ComSeal LW is a light-weight and area efficient cable and pipe sealing solution for cabinets. The frames are made out of cast aluminum and used with adaptable sealing modules. The product is supplied as ready-made kits which include all necessary components.

- Available in six different sizes
- Attached on inside or outside of cabinet
- Version available for the FL 21 cut-out



ComSeal™ LW kits, integrated compression unit, aluminum



ComSeal LW 6

ComSeal LW 12

ComSeal LW 12 FL 21

ComSeal LW 16

RATINGS IP: 44 UL/NEMA: 3R

Kit	Diameter range and number of cables/pipes			Weight		Art. No
	0+3.5-10.5 mm 0+0.138-0.413 in (EM 15w40)	0+3.5-16.5 mm 0+0.138-0.650 in (EM 20w40)	0+9.5-32.5 mm 0+0.374-1.280 in (EM 40 10-32)	(kg)	(lb)	
ComSeal LW 6/3		2 cables/pipes	1 cable/pipe	0.322	0.710	107788
ComSeal LW 6/6		6 cables/pipes		0.322	0.710	107789
ComSeal LW 6/12	12 cables/pipes			0.322	0.710	107790
ComSeal LW 12/3			3 cables/pipes	0.445	0.981	107791
ComSeal LW 12/6		4 cables/pipes	2 cables/pipes	0.445	0.981	107792
ComSeal LW 12/9		8 cables/pipes	1 cable/pipe	0.445	0.981	107793
ComSeal LW 12/12		12 cables/pipes		0.445	0.981	108020
ComSeal LW 12/3 FL 21			3 cables/pipes	0.488	1.076	107799
ComSeal LW 12/6 FL 21		4 cables/pipes	2 cables/pipes	0.488	1.076	107800
ComSeal LW 12/9 FL 21		8 cables/pipes	1 cable/pipe	0.488	1.076	107802

ComSeal™ LW kits, integrated compression unit, aluminum

Kit	Diameter range and number of cables/pipes			Weight		Art. No
	(mm)	(in)	(EM)	(kg)	(lb)	
ComSeal LW 12/12 FL 21	0+3.5-10.5 mm 0+0.138-0.413 in (EM 15w40)	0+3.5-16.5 mm 0+0.138-0.650 in (EM 20w40)	0+9.5-32.5 mm 0+0.374-1.280 in (EM 40 10-32)	0.488	1.076	108018
ComSeal LW 16/4			4 cables/pipes	0.536	1.180	107794
ComSeal LW 16/7			4 cables/pipes	0.536	1.180	107795
ComSeal LW 16/10			8 cables/pipes	0.536	1.180	107796
ComSeal LW 16/16			16 cables/pipes	0.536	1.180	107797

Modules and frames can be ordered separately.

ComSeal™ LW frame technical information

ComSeal LW 6

ComSeal LW 12

ComSeal LW 12 FL 21

ComSeal LW 16

	ComSeal LW 6		ComSeal LW 12		ComSeal LW 12 FL 21		ComSeal LW 16	
Pos	(mm)	(in)	(mm)	(in)	(mm)	(in)	(mm)	(in)
c	68.5	2.697	68.5	2.697	62	2.441	68.5	2.697
D	55	2.165	55	2.165	55	2.165	55	2.165
H	133	5.236	193	7.598	216	8.504	233	9.173
h1	60	2.362	120	4.724	120	4.724	160	6.299
l	121	4.764	90.5	3.583	193	7.598	73.5	2.913
w1	40	1.575	40	1.575	40	1.575	40	1.575
W	80.5	3.169	80.5	3.169	88	3.465	80.5	3.169
ø	5.5	0.217	5.5	0.217	8.5	0.335	5.5	0.217

For ComSeal LW 12 FL 21: If the wall is thinner than 2 mm, a Roxtec ComSeal 12 counter flange 2CV0001020219 is recommended (not supplied in the kit)

Max wall thickness:
 ComSeal LW 6, 12, 16: 10 mm (0.394")
 ComSeal LW 12 FL 21: 7 mm (0.275")

Note: All dimensions are nominal values



Roxtec CRL seal

Roxtec CRL is a round expansion frame for 4" and 5" holes. Its square packing space houses modules and services, such as cables, pipes and fiber optics. Compression is integrated in the frame.

- Attachment by expansion
- Designed to be installed on a shelter port hatch plate (not manufactured by Roxtec)

CRL kit, CRL 4": Polyamide, PA 6.6 25% GF, **CRL 5"**: Primed mild steel



CRL 4"/1



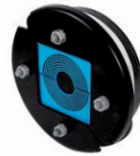
CRL 4"/4



CRL 4"/5



CRL 4"/9



CRL 5"/1



CRL 5"/4



CRL 5"/5



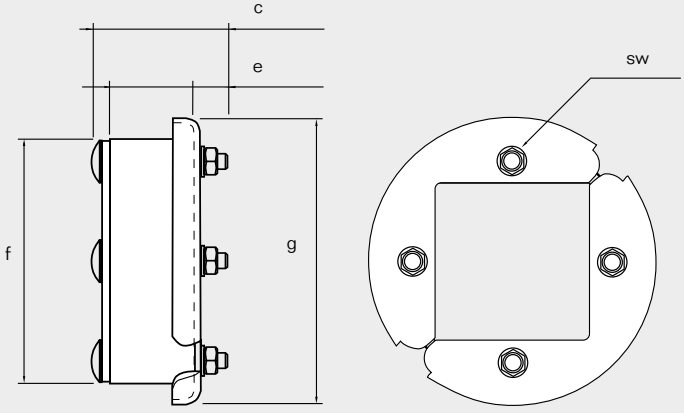
CRL 5"/9

RATINGS IP: 54

Kit	Number of cables/pipes	Diameter range and number of cables/pipes			Weight		Art. No
		0+4-16.5 mm 0+0.157-0.650 in (CM22w66)	0+10-29 mm 0+0.394-1.142 in (CM33w66)	0+24-54 mm 0+0.945-2.126 in (CM66)	(kg)	(lb)	
CRL 4"/1	1			1 cable/pipe	0.6	1.323	102997
CRL 4"/4	4		4 cables/pipes		0.6	1.323	102993
CRL 4"/5	5	3 cables/pipes	2 cables/pipes		0.6	1.323	102994
CRL 4"/9	9	9 cables/pipes			0.6	1.323	102995
CRL 5"/1	1			1 cable/pipe	0.95	2.094	CRL0005010012
CRL 5"/4	4		4 cables/pipes		0.95	2.094	CRL0005040012
CRL 5"/5	5	3 cables/pipes	2 cables/pipes		0.95	2.094	CRL0005050012
CRL 5"/9	9	9 cables/pipes			0.95	2.094	CRL0005090012

Modules and frames can be ordered separately.

CRL seal, technical information



Pos	CRL 4"		CRL 5"	
	(mm)	(in)	(mm)	(in)
c	74.0	2.913	74.0	2.913
e	59.0	2.323	33.0	1.299
f	98.0	3.858	123.0	4.843
g	115.0	4.528	140.0	5.514
sw	10	0.394	9.525	0.375

Note: All dimensions are nominal values



Roxtec ComSeal™

The Roxtec ComSeal is a light-weight and area efficient cable sealing solution for cabinets. The frames are available in cast aluminum and cast acid-proof stainless steel, AISI 316, and used with adaptable sealing modules. The product is supplied as ready-made kits which include all necessary components.

- Available in six different sizes
- Attached on inside or outside of cabinet



ComSeal™ kits, integrated compression unit, aluminum



ComSeal 10



ComSeal 12



ComSeal 15



ComSeal 16



ComSeal 30



ComSeal 32

RATINGS IP: 55 UL/NEMA: 3, 12, 12K

Kit	Diameter range and number of cables/pipes			Weight		Art. No
	0+3.5-16.5 mm 0+0.138-0.650 in (CM 20W40)	0+9.5-32.5 mm 0+0.374-1.280 in (CM 40 10-32)	0+28-43 mm 0+1.102-1.693 in (CM 50)	(kg)	(lb)	
ComSeal 10/4	2 cables/pipes	2 cables/pipes		0.515	1.13	105299
ComSeal 10/7	6 cables/pipes	1 cable/pipe		0.515	1.13	105301
ComSeal 10/10	10 cables/pipes			0.515	1.13	105302
ComSeal 12/3		3 cables/pipes		0.61	1.34	105303
ComSeal 12/6	4 cables/pipes	2 cables/pipes		0.61	1.34	105305
ComSeal 12/9	8 cables/pipes	1 cable/pipe		0.61	1.34	105306
ComSeal 12/12	12 cables/pipes			0.61	1.34	105307
ComSeal 15/3			3 cables/pipes	0.91	2.0	105308
ComSeal 16/4		4 cables/pipes		0.666	1.47	105310
ComSeal 16/7	4 cables/pipes	3 cables/pipes		0.666	1.47	105312

ComSeal™ kits, integrated compression unit, aluminum

Kit	Diameter range and number of cables/pipes			Weight		Art. No
				(kg)	(lb)	
	0+3.5-16.5 mm 0+0.138-0.650 in (CM 20W40)	0+9.5-32.5 mm 0+0.374-1.280 in (CM 40 10-32)	0+28-43 mm 0+1.102-1.693 in (CM 50)			
ComSeal 16/10	8 cables/pipes	2 cables/pipes		0.666	1.47	105313
ComSeal 16/16	16 cables/pipes			0.666	1.47	105314
ComSeal 30/6			6 cables/pipes	1.40	3.09	105315
ComSeal 32/8		8 cables/pipes		1.259	2.78	105316
ComSeal 32/14	8 cables/pipes	6 cables/pipes		1.259	2.78	105320
ComSeal 32/20	16 cables/pipes	4 cables/pipes		1.259	2.78	105321
ComSeal 32/32	32 cables/pipes			1.259	2.78	105322

Modules and frames can be ordered separately.

ComSeal™ kits, integrated compression unit, acid-proof stainless steel



ComSeal 10 AISI 316

ComSeal 16 AISI 316

ComSeal 32 AISI 316

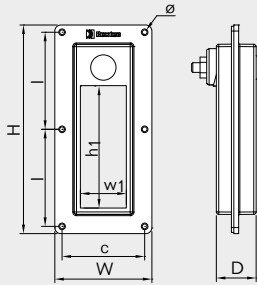
RATINGS IP: 55 UL/NEMA: 3, 12, 12K

Kit	Diameter range and number of cables/pipes		Weight		Art. No
			(kg)	(lb)	
	0+3.5-16.5 mm 0+0.138-0.650 in (CM 20W40)	0+9.5-32.5 mm 0+0.374-1.280 in (CM 40 10-32)			
ComSeal 10/4 AISI 316	2 cables/pipes	2 cables/pipes	1.096	2.42	105676
ComSeal 10/7 AISI 316	6 cables/pipes	1 cable/pipe	1.096	2.42	105677
ComSeal 10/10 AISI 316	10 cables/pipes		1.096	2.42	105678
ComSeal 16/4 AISI 316		4 cables/pipes	1.407	3.11	105679
ComSeal 16/7 AISI 316	4 cables/pipes	3 cables/pipes	1.407	3.11	105680
ComSeal 16/10 AISI 316	8 cables/pipes	2 cables/pipes	1.407	3.11	105681
ComSeal 16/16 AISI 316	16 cables/pipes		1.407	3.11	105682
ComSeal 32/8 AISI 316		8 cables/pipes	2.395	5.28	105683
ComSeal 32/14 AISI 316	8 cables/pipes	6 cables/pipes	2.395	5.28	105684
ComSeal 32/20 AISI 316	16 cables/pipes	4 cables/pipes	2.395	5.28	105685
ComSeal 32/32 AISI 316		32 cables/pipes	2.395	5.28	105686

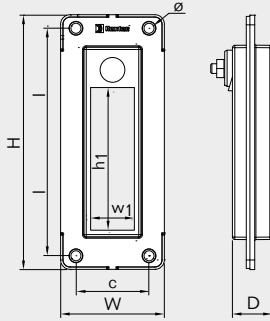
Modules and frames can be ordered separately.

ComSeal™ frame, technical information

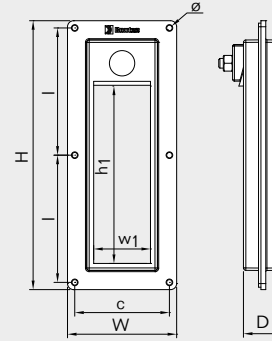
ComSeal 10



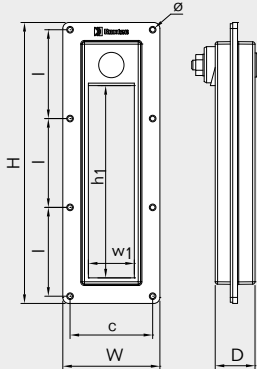
ComSeal 12



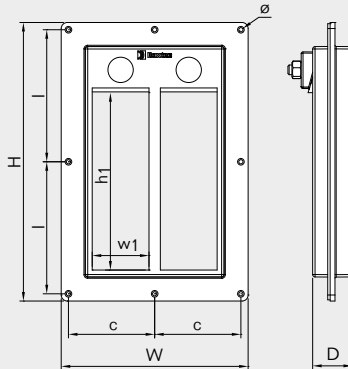
ComSeal 15



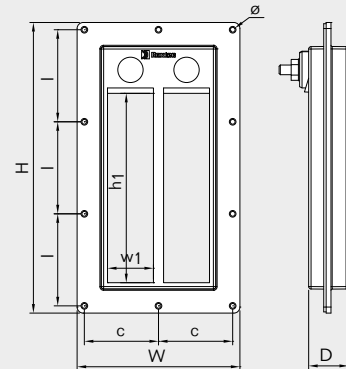
ComSeal 16



ComSeal 30



ComSeal 32

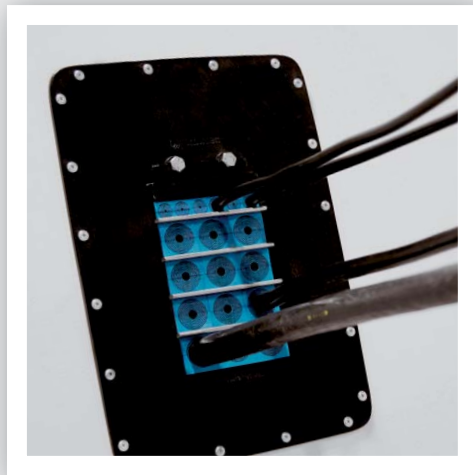


Pos	ComSeal 10		ComSeal 12		ComSeal 15		ComSeal 16		ComSeal 30		ComSeal 32	
	(mm)	(in)	(mm)	(in)	(mm)	(in)	(mm)	(in)	(mm)	(in)	(mm)	(in)
c	68.5	2.697	62	2.441	78.5	3.091	68.5	2.697	71.5	2.815	61.5	2.421
D	33	1.299	33	1.299	33	1.299	33	1.299	33	1.299	33	1.299
H	173	6.811	216	8.504	223	8.780	233	9.173	231	9.094	241	9.488
h1	100	3.937	120	4.724	150	5.906	160	6.299	150	5.906	160	6.299
l	80.5	3.169	193	7.598	105.5	4.154	73.7	2.902	109.5	4.311	76.33	3.005
w1	40	1.575	40	1.575	50	1.969	40	1.575	50	1.969	40	1.575
W	80.5	3.169	88	3.465	90.5	3.563	80.5	3.169	155	6.102	135	5.315
ø	5.5	0.217	8.5	0.335	5.5	0.217	5.5	0.217	5.5	0.217	5.5	0.217

Max wall thickness:
 ComSeal 10, 15, 16, 30, 32: 10 mm (0.394")
 ComSeal 12: 7 mm (0.275")

Roxtec ComSeal 12 fits the FL 21 knock-out

Note: All dimensions are nominal values

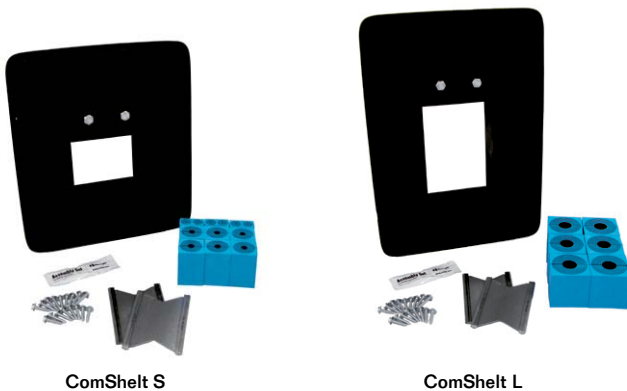


Roxtec ComShelt™

The Roxtec ComShelt is a sealing solution for cables and pipes of different sizes. The light-weight composite frame with integrated compression unit is designed for use in telecom shelters and cabinets. The product is supplied as ready-made kits which include all necessary components.

- Available in two different sizes
- Attached by bolting or riveting

ComShelt™ kits, integrated compression unit, composite PA 6.6 33% GF

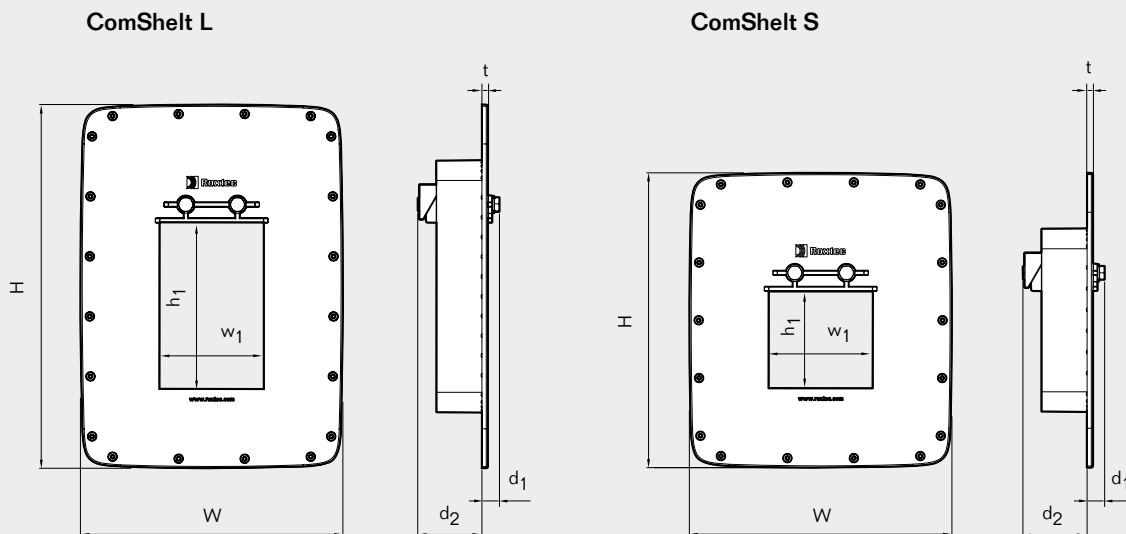


RATINGS IP: 55

Kit	Diameter range and number of cables/pipes			Weight		Art. No
	0+3.5-16.5 mm (RM 20w40)	0+9.5-32.5 mm (RM 40 10-32)	0+24-54 mm (RM 60 24-54)	(kg)	(lb)	
ComShelt L/6			6 cables/pipes	3.9	8.59	CSL0000000006
ComShelt L/18	6 cables/pipes	12 cables/pipes		3.9	8.59	CSL0000000018
ComShelt S/12	6 cables/pipes	6 cables/pipes		2.8	6.17	CSS0000000012
ComShelt S/30	30 cables/pipes			2.8	6.17	CSS0000000030

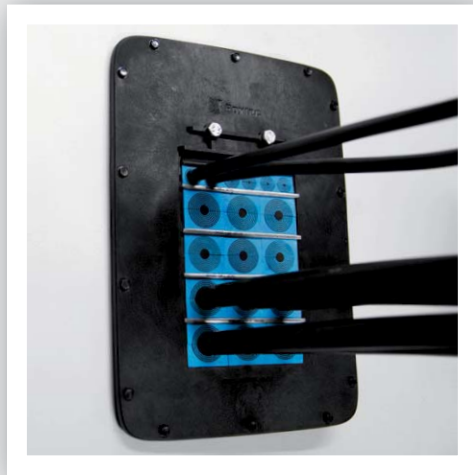
Modules and frames can be ordered separately.

ComShelt™, technical information



Pos	ComShelt L		ComShelt S	
	(mm)	(in)	(mm)	(in)
H	422	16.614	342	13.465
W	305	12.008	305	12.008
h ₁	180	7.087	100	3.937
w ₁	120	4.724	120	4.724
t	7	0.276	7	0.276
d ₁	20	0.787	20	0.787
d ₂	70	2.756	70	2.756

Note: All dimensions are nominal values



Roxtec C ComShelt™

The Roxtec C ComShelt is a sealing solution for cables and pipes of different sizes. The light-weight composite frame with integrated compression unit is designed for use in telecom shelters and cabinets. The product is supplied as ready-made kits which include all necessary components. It is available with an additional cover plate for closing a part of the opening until further installation is required.

- Attached by bolting or riveting

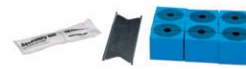
C ComShelt™ kits, integrated compression unit, composite PA 6.6 33% GF



C ComShelt



C ComShelt with cover plate



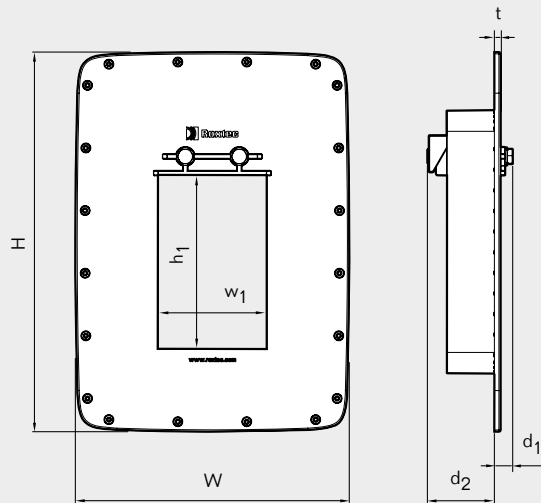
C ComShelt expansion module kit

RATINGS IP: 55

Kit	Diameter range and number of cables/pipes		Weight		Art. No
	0+3.5-16.5 mm (CM 20w40)	0+9.5-32.5 mm (CM 40 10-32)	(kg)	(lb)	
C ComShelt/18	6 cables/pipes	12 cables/pipes	2.1	4.63	102716
C ComShelt/12 with cover plate	6 cables/pipes	6 cables/pipes	2.1	4.63	104660
C ComShelt expansion module kit		6 cables/pipes	0.5	1.10	109078

Modules and frames can be ordered separately.

C ComShelt™, technical information



Pos	(mm)	(in)
H	358	14.173
W	255	10.039
t	8	0.315
h ₁	190	7.480
w ₁	120	4.724
d ₁	13	0.512
d ₂	22	0.866

Note: All dimensions are nominal values



Roxtec EzEntry™

The Roxtec EzEntry simplifies cable sealing in cabinets and enclosures. The single-side seal consists of a composite frame and adaptable modules. The product is supplied as ready-made kits which include all necessary components.

- Available in sizes from 4 to 32 cables
- Integrated compression unit
- Allows pre-terminated cables
- Versions available for the FL 21 knock-out and multipin 24 connector knock-out
- Available with stainless steel fasteners upon request to meet requirements in aggressive corrosive environments



EzEntry™ kit, integrated compression unit, PA 66 25% GF



RATINGS

EzEntry 4 mini: IP 55, UL/NEMA 12, 13

EzEntry 4, 10, 16, 24, 32: IP 66/67, UL/NEMA 4, 4x, 12, 13

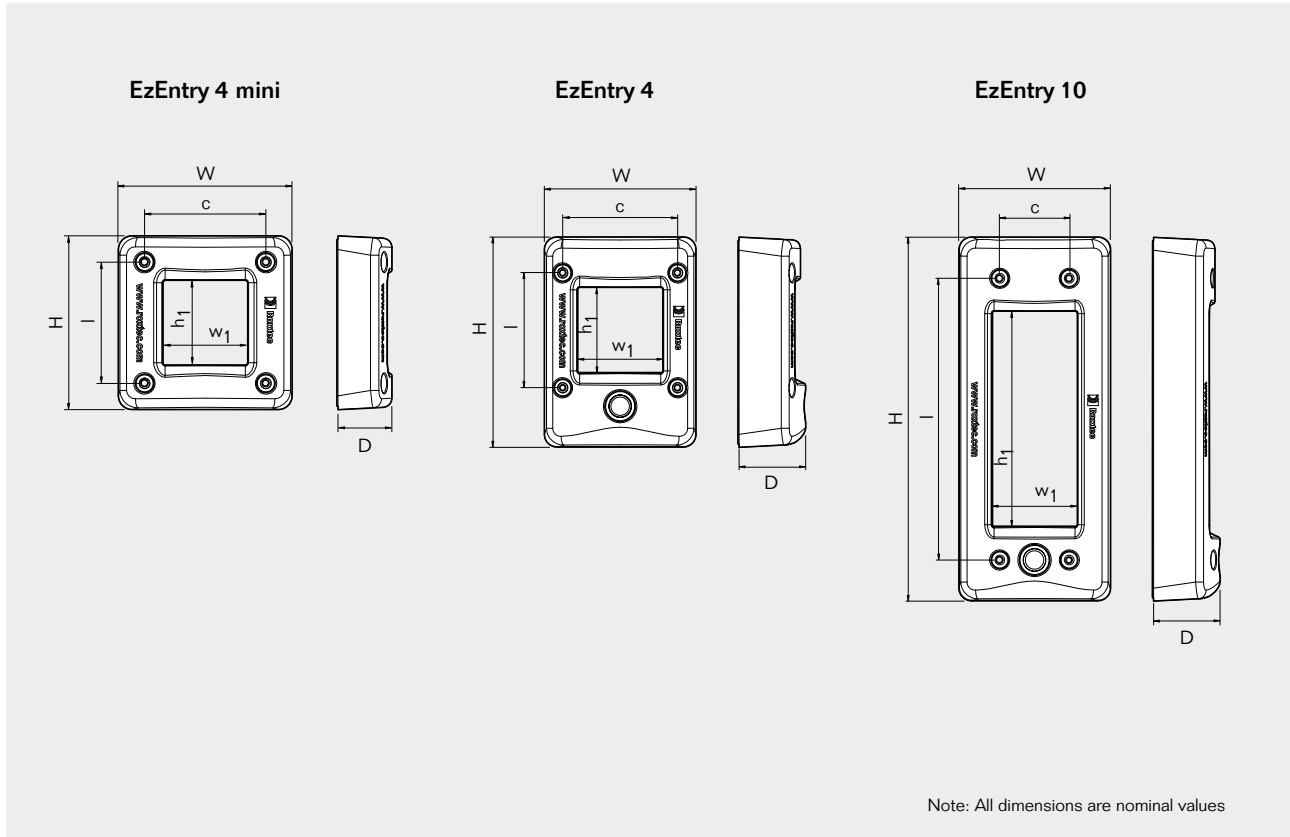
Kit	Diameter range and number of cables/pipes						Weight		Art. No
	0+3.5-10.5 mm 0+0.138-0.413 in (GM 13.3w40)	0+3.5-16.5 mm 0+0.138-0.650 in (GM 20w40)	0+3.5-16.5 mm 0+0.138-0.650 in (EM 20w40)	0+9.5-32.5 mm 0+0.374-1.280 in (EM 40 10-32)	0+3.5-16.5 mm 0+0.138-0.650 in (CM 20w40)	0+9.5-32.5 mm 0+0.374-1.280 in (CM 40 10-32)	(kg)	(lb)	
EzEntry 4 mini/4		4 cables/pipes					0.10	0.22	EZ00000000440
EzEntry 4 mini/9	9 cables/pipes						0.10	0.22	EZ00000000490
EzEntry 4/4			4 cables/pipes				0.13	0.29	EZ00000000044
EzEntry 10/4			2 cables/pipes	2 cables/pipes			0.30	0.65	EZ00000001004
EzEntry 10/7			6 cables/pipes	1 cable/pipe			0.30	0.65	EZ00000001007
EzEntry 10/10			10 cables/pipes				0.30	0.65	EZ00000001010

EzEntry™ kit, integrated compression unit, PA 66 25% GF

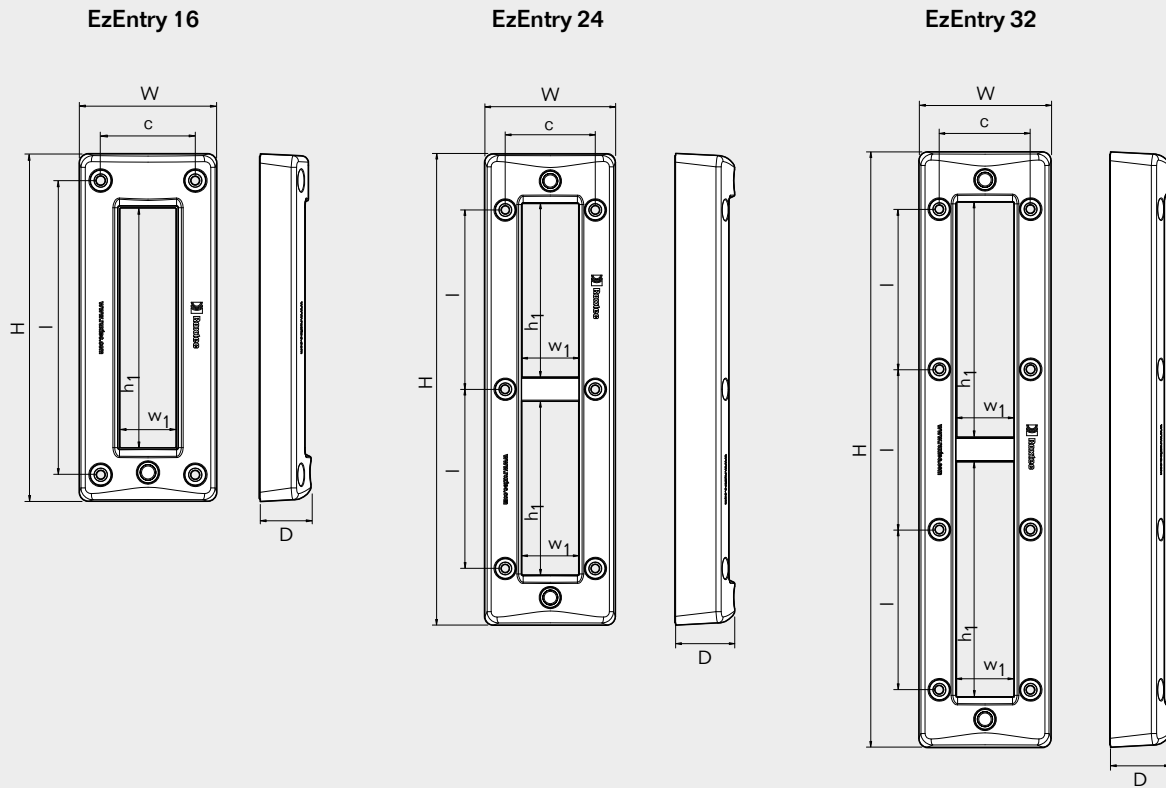
Kit	Diameter range and number of cables/pipes						Weight		Art. No
	0+3.5-10.5 mm 0+0.138-0.413 in (GM 13.3w40)	0+3.5-16.5 mm 0+0.138-0.650 in (GM 20w40)	0+3.5-16.5 mm 0+0.138-0.650 in (EM 20w40)	0+9.5-32.5 mm 0+0.374-1.280 in (EM 40 10-32)	0+3.5-16.5 mm 0+0.138-0.650 in (CM 20w40)	0+9.5-32.5 mm 0+0.374-1.280 in (CM 40 10-32)	(kg)	(lb)	
EzEntry 16/4				4 cables/pipes			0.39	0.86	EZ00000001604
EzEntry 16/10			8 cables/pipes	2 cables/pipes			0.39	0.86	EZ00000001610
EzEntry 16/16			16 cables/pipes				0.39	0.86	EZ00000001616
EzEntry 24/6						6 cables/pipes	0.80	1.77	EZ00000002406
EzEntry 24/15					12 cables/pipes	3 cables/pipes	0.80	1.77	EZ00000002415
EzEntry 24/24					24 cables/pipes		0.80	1.77	EZ00000002424
EzEntry 32/8						8 cables/pipes	1.03	2.27	EZ00000003208
EzEntry 32/20					16 cables/pipes	4 cables/pipes	1.03	2.27	EZ00000003220
EzEntry 32/32					32 cables/pipes		1.03	2.27	EZ00000003232

Modules and frames can be ordered separately.

EzEntry™, technical information



EzEntry™, technical information



	EzEntry 4 mini		EzEntry 4		EzEntry 10		EzEntry 16		EzEntry 24		EzEntry 32	
Pos	(mm)	(in)	(mm)	(in)	(mm)	(in)	(mm)	(in)	(mm)	(in)	(mm)	(in)
c	53	2.087	53	2.087	32	1.260	62	2.441	62	2.441	62	2.441
D	24	0.945	31	1.220	31	1.220	34	1.339	41	1.614	41	1.614
H	76	2.992	97	3.819	168	6.614	228	8.976	325	12.795	405	15.945
h1	40	1.575	40	1.575	100	3.937	160	6.299	120	4.724	160	6.299
l	53	2.087	53	2.087	130	5.118	193	7.598	123.5	4.862	109	4.291
w1	40	1.575	40	1.575	40	1.575	40	1.575	40	1.575	40	1.575
W	76	2.992	70	2.756	70	2.756	90	3.543	90	3.543	90	3.543

Max wall thickness (with nuts*):

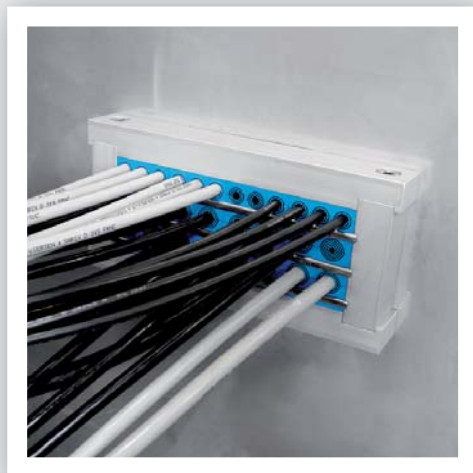
EzEntry 4 mini: 3 mm (0.118")

EzEntry 16: 3.5 mm (0.138")

EzEntry 4, 10, 24, 32: 8 mm (0.315")

*The fasteners in the kit: self-tapping screws, washers and nuts

Note: All dimensions are nominal values



Roxtec CF 24 frame

The Roxtec CF 24 is a bolted together frame made from aluminum. Compression is integrated in the frame. The frame is easily installed around existing cables. The product is supplied as ready-made kits which include all necessary components.

- Attachment by bolting
- Openable to simplify retrofit



CF 24 kit, anodized aluminum



CF 24/8



CF 24/12



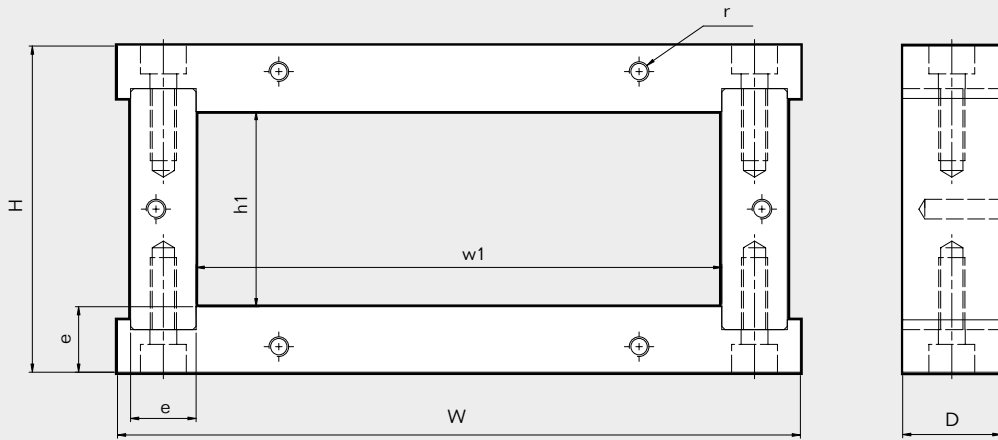
CF 24/28

RATINGS IP: 66/67 UL/NEMA: 4, 4X, 12, 13

Kit	Number of cables/pipes	Diameter range and number of cables/pipes				Weight		Art. No
						(kg)	(lb)	
		0+3.5-10.5 0+0.138-0.413 (CM 15w40)	0+3.5-16.5 0+0.138-0.650 (CM 20W40)	0+10.0-25.0 0+0.394-0.984 (CM 30w40)	0+9.5-32.5 0+0.374-1.280 (CM 40 10-32)			
CF 24/8	8			8 cables/pipes		1.5	3.307	CF00000240035
CF 24/12	12		8 cables/pipes		4 cables/pipes	1.5	3.307	CF00000241235
CF 24/28	28	12 cables/pipes	16 cables/pipes			1.5	3.307	CF00000242835

Modules and frames can be ordered separately.

CF 24, technical information



Pos	(mm)	(in)
e	20	0.787
H	100	3.397
h ₁	60	2.362
W	209	8.228
w ₁	160	6.299
r	M6	M6
D	30	1.181

Max wall thickness: 10 mm (0.394")

If the wall is thinner than 2 mm, a Roxtec CF 24 counter frame 2EPB001024012 is recommended (not supplied in the kit)

Note: All dimensions are nominal values



Roxtec RG M63 seal

The Roxtec RG M63 entry seal is a cable gland type of seal with adaptable sealing modules at the center. The product is supplied as ready-made kits which include all necessary components.

- Attachment by counter ring nut
- For one to nine cables/pipes
- Allows use of pre-terminated cables
- Recommended knockout punch: Greenlee hole punch (size 2.52" / ISO 63)



RG M63 kit, nickel-plated brass

Also available in stainless steel



RG M63/1

RG M63/4

RG M63/9

Installation tools



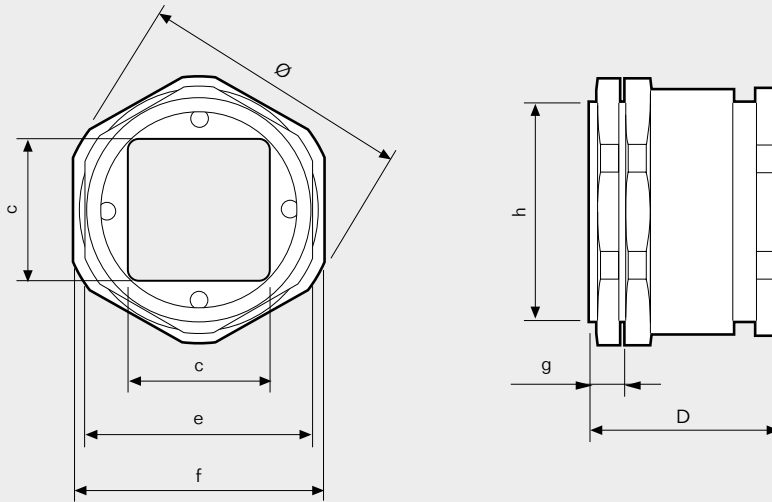
page 52

RATINGS IP: 67 UL/NEMA: 4, 4X, 12, 13

Kit	Number of cables/pipes	Diameter range and number of cables/pipes			External dimensions		Weight		Art. No
		0+3.5-10.5 mm 0+0.138-0.413 in (GM 13,3w40)	0+3.5-16.5 mm 0+0.138-0.650 in (GM 20w40)	0+9.5-32.5 mm 0+0.374-1.280 in (GM 40 10-32)	ØxD (mm)	ØxD (in)	(kg)	(lb)	
RG M63/1	1			1 cable/pipe	74 x 51	2.913 x 2.008	0.5	1.213	RG00063010046
RG M63/4	4		4 cables/pipes		74 x 51	2.913 x 2.008	0.5	1.213	RG00063040046
RG M63/9	9	9 cables/pipes			74 x 51	2.913 x 2.008	0.5	1.213	RG00063090046

Modules and seals can be ordered separately.

RG M63 kit, technical information



Pos	(mm)	(in)
c	40	1.575
e	SW 64	SW 2.520
f	SW 68	SW 2.677
g	10	0.394
h	M63x1.5	M63x1.5
D	51	2.008
Ø	74	2.913

Max wall thickness: 4 mm (0.157")

Note: All dimensions are nominal values



Rextec C RS T seal

The Rextec C RS T entry seal is a small-sized solution for cabinets and equipment. The product is supplied as ready-made kits which include all necessary components.

- Attachment by counter ring nut
- For one cable or pipe
- Allows use of pre-terminated cables



C RS T kit, nickel-plated brass and acid-proof stainless steel fittings



C RS T 25



C RS T 31



C RS T 43



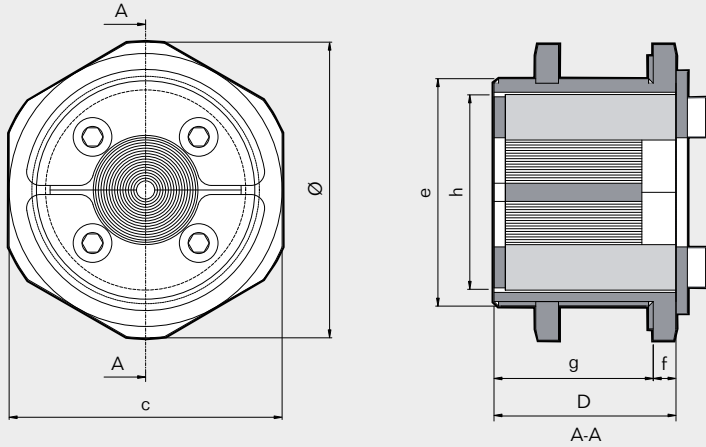
C RS T 50

Also available in stainless steel

RATINGS IP: 66/67, 69K UL /NEMA: 4, 4X, 12, 13

Kit	Aperture dim. +1/-0 mm (+0.0394"/-0")		For cable/pipe		External dimensions sleeve		Weight sleeve		Art. No
	Ø (mm)	Ø (in)	Ø (mm)	Ø (in)	ØxD (mm)	ØxD (in)	(kg)	(lb)	
C RS T 25	32	1.260	0+3.6-12.0	0+0.142-0.472	39 x 20	1.535 x 0.787	0.1	0.220	CRST010025046
C RS T 31	40	1.575	0+4.0-17.0	0+0.157-0.669	50 x 20	1.969 x 0.787	0.2	0.331	CRST010031046
C RS T 43	50	1.969	0+4.0-23.0	0+0.157-0.906	65 x 40	2.559 x 1.575	0.4	0.882	CRST010043046
C RS T 50	63	2.480	0+8.0-30.0	0+0.315-1.181	78 x 40	3.071 x 1.575	0.7	1.433	CRST010050046

C R S T kit, technical information



Pos	C R S T 25		C R S T 31		C R S T 43		C R S T 50	
	(mm)	(in)	(mm)	(in)	(mm)	(in)	(mm)	(in)
c	36	1.417	46	1.811	60	2.362	70	2.756
e	M 32 x 1.5	M 32 x 1.5	M40x1.5	M40x1.5	M50x1.5	M50x1.5	M63x1.5	M63x1.5
f	4	0.157	5	0.197	5	0.197	6	0.236
g	16	0.630	15	0.591	35	1.378	34	1.339
h	25	0.984	31	1.220	43	1.693	50	1.969
D	20	0.787	20	0.787	40	1.575	40	1.575
Ø	39	1.535	50	1.969	65	2.559	78	3.071
Wall thickness	1-10	0.039-0.394	1-8	0.039-0.315	1-28	0.039-1.102	1-26	0.039-1.024

Note: All dimensions are nominal values



Roxel CF 8/ CF 32 frames

The Roxel CF 8 and CF 32 entry seals are made from cast aluminum. The compression unit is integrated in the frame. The product is supplied as ready-made kits which include all necessary components.

■ Attachment by bolting



CF 8/CF 32 kits, integrated compression unit, aluminum



CF 8/5



CF 8/8



CF 8/9



CF 32/20



CF 32/32



CF 32/41

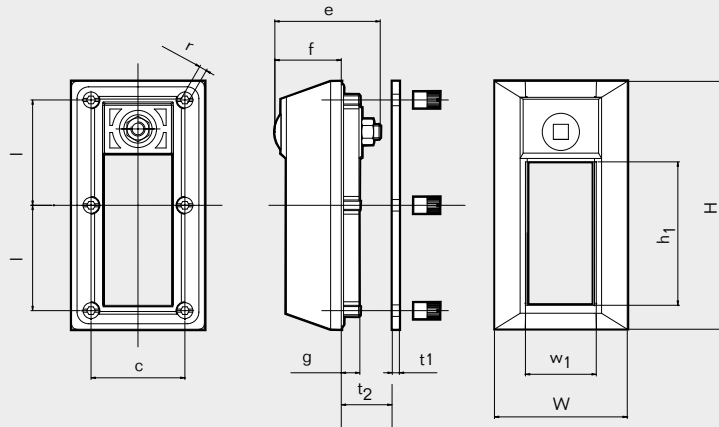
RATINGS IP: 66/67 UL/NEMA: 4, 4X, 12, 13

Kit	Diameter range and number of cables/pipes				External dimensions		Weight		Art. No
	HxW (mm)	HxW (in)	(kg)	(lb)					
	0+3.5-10.5 0+0.138-0.413 (CM 15W40)	0+3.5-16.5 0+0.138-0.650 (CM 20w40)	0+10.0-25.0 0+0.394-0.984 (CM 30w40)	0+9.5-32.5 0+0.374-1.280 (CM 40 10-32)					
CF 8/5		4 cables/pipes		1 cable/pipe	140 x 75	5.512 x 2.952	0.7	1.543	CKT8000000005
CF 8/8		8 cables/pipes			140 x 75	5.512 x 2.952	0.7	1.543	CKT8000000008
CF 8/9	6 cables/pipes	2 cables/pipes	1 cable/pipe		140 x 75	5.512 x 2.952	0.7	1.543	CKT0000000009
CF 32/20		16 cables/pipes		4 cables/pipes	230 x 130	9.055 x 5.118	2.0	4.409	CKT3200000020
CF 32/32		32 cables/pipes			230 x 130	9.055 x 5.118	2.0	4.409	CKT3200000032
CF 32/41	24 cables/pipes	16 cables/pipes		1 cable/pipe	230 x 130	9.055 x 5.118	2.0	4.409	CKT3200000041

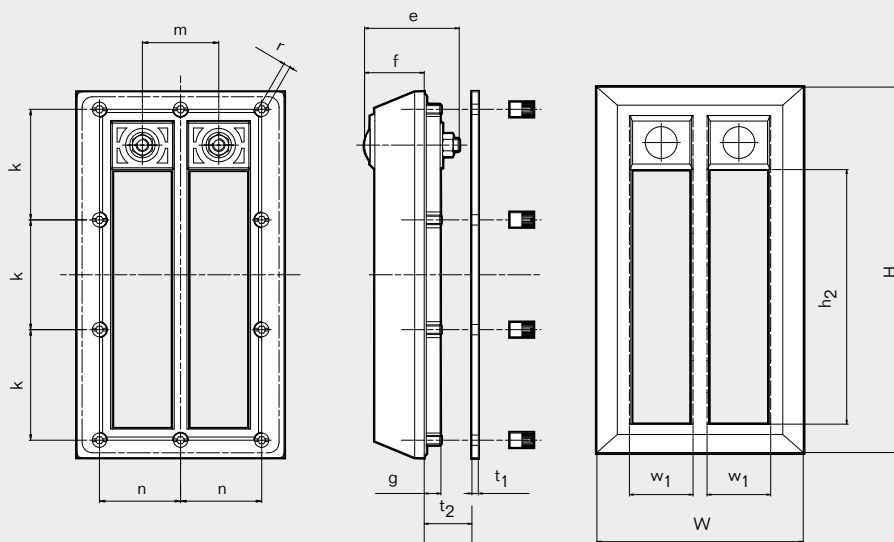
Modules and frames can be ordered separately.

CF 8/CF 32 frames, technical information

CF 8



CF 32



Pos	(mm)	(in)
c	53	2.087
e	59	2.323
f	38	1.496
g	12	0.472
l	60	2.362

Pos	(mm)	(in)
k	70	2.756
m	48	1.890
n	51	2.008
r	SW 4	SW 0.157
t1	4	0.157

Pos	(mm)	(in)
t2	Wall thickness Max 4	Max 0.157
h1	80	3.150
h2	160	6.299
w1	40	1.575

Note: All dimensions are nominal values



Roxtec CF 16 frame

The Roxtec CF 16 is a low-profile metal frame. Compression is integrated in the frame. Adapter plates are available for standardized openings in cabinets. The product is supplied as ready-made kits which include all necessary components.

- Attachment by bolting
- Available in openable version for easy retrofit and installation around existing cables and pipes



CF 16 kit, powder coated mild steel



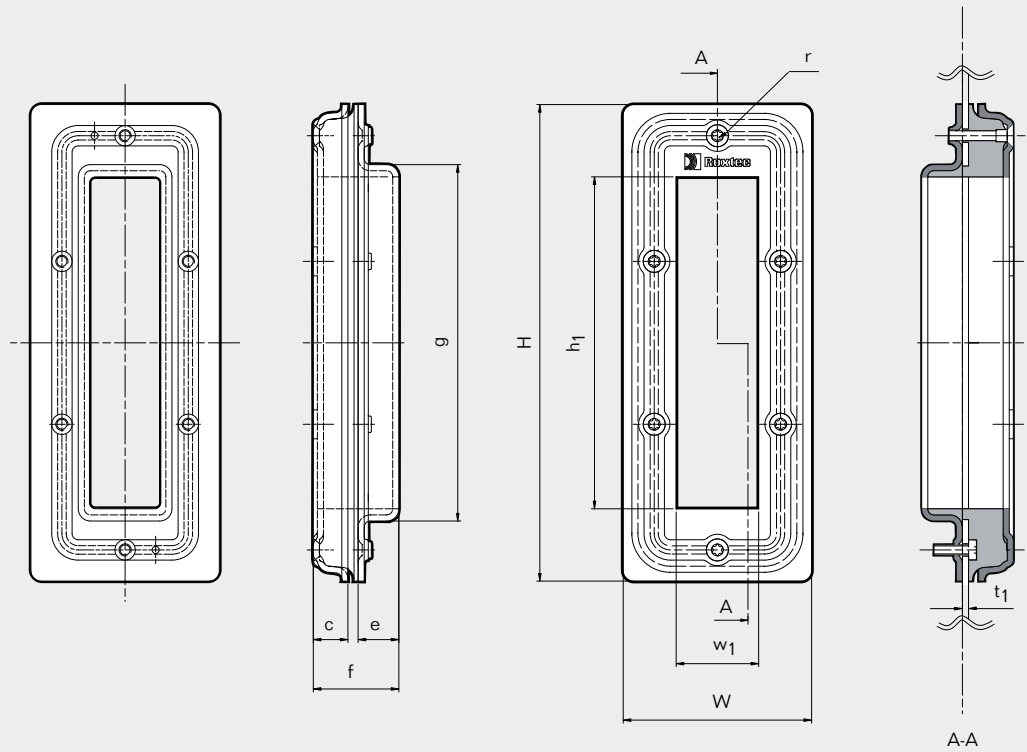
Also available in stainless steel

RATINGS IP: 66/67 UL/NEMA: 4, 4X, 12, 13

Kit	Number of cables/pipes	Diameter range and number of cables/pipes			External dimensions		Weight		Art. No
		0+3.5-10.5 0+0.138-0.413 (CM 15W40)	0+3.5-16.5 0+0.138-0.650 (CM 20w40)	0+9.5-32.5 0+0.374-1.280 (CM 40 10-32)	HxW (mm)	HxW (in)	(kg)	(lb)	
CF 16/4	4			4 cables/pipes	234 x 93	9.213 x 3.661	1.7	3.748	CKT0008020004
CF 16/10	10		8 cables/pipes	2 cables/pipes	234 x 93	9.213 x 3.661	1.7	3.748	CKT0008020010
CF 16/16	16		16 cables/pipes		234 x 93	9.213 x 3.661	1.7	3.748	CKT0008020016
CF 16/19	19	12 cables/pipes	6 cables/pipes	1 cable/pipe	234 x 93	9.213 x 3.661	1.7	3.748	CKT0008020119

Modules and frames can be ordered separately.

CF 16 frame, technical information



Pos	(mm)	(in)
c	17	0.669
e	20	0.787
f	42	1.654
g	175	6.890
h_1	160	6.299
w_1	40	1.575
t_1 Wall thickness	Max 4	Max 0.157
r	SW TX25	SW TX 25

Note: All dimensions are nominal values



Roxtec HD 32

The Roxtec HD 32 (High Density) is a corrosion resistant cable entry seal for sealing and terminating up to 32 cables in one single cut-out in junction and terminal boxes. The seal is designed to withstand the harshest of environments and it is approved for use in hazardous and industrial applications as a direct replacement to cable glands. The product is supplied as ready-made kits which include all necessary components.

- 316L stainless steel material
- Extremely area efficient
- Adapts to cables of different sizes



HD 32 kit, integrated compression unit, acid-proof stainless steel



HD 32/8



HD 32/20



HD 32/32

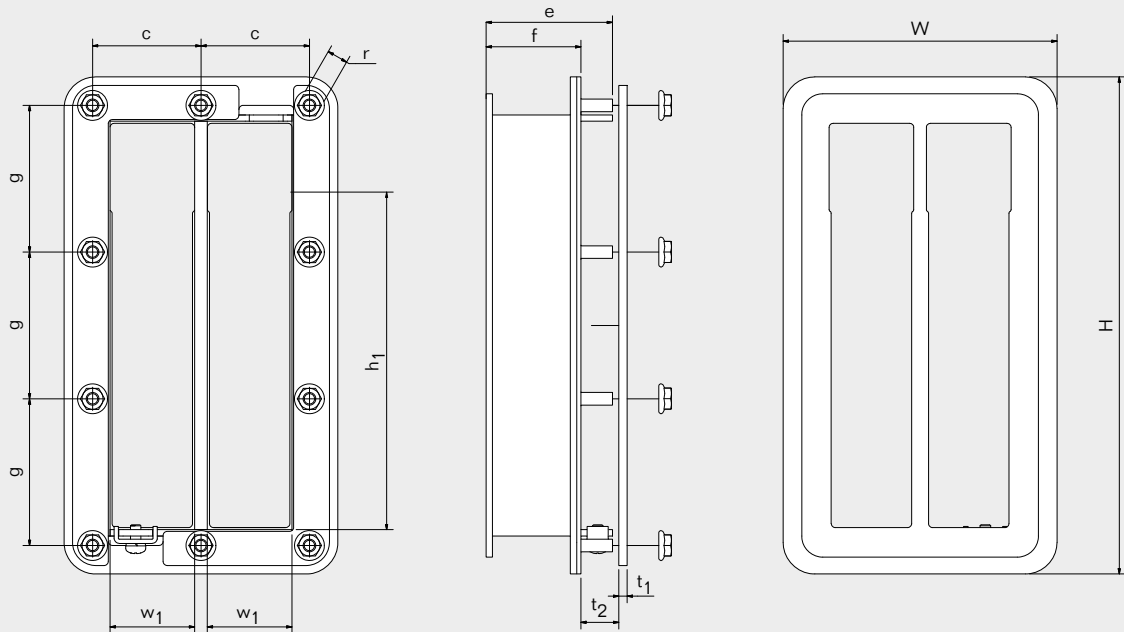


HD 32/41

RATINGS IP: 66/67 UL /NEMA: 4, 4X, 12, 13									
Kit	Number of cables/pipes	Diameter range and number of cables/pipes			External dimensions		Weight		Art. No
		0+9.5-31.5 mm 0+0.37-1.24" (HD 40)	0+3.5-15.5 mm 0+0.0.14-0.61" (HD 20w40)	0+3.5-9.5 mm 0+0.0.14-0.37" (HD 15w40)	HxW (mm)	HxW (in)	(kg)	(lb)	
HD 32/8	8	8 cables/pipes			236 x 130	9.3 x 5.1	3	6.8	112276
HD 32/20	20	4 cables/pipes	16 cables/pipes		236 x 130	9.3 x 5.1	3	6.8	112278
HD 32/32	32		32 cables/pipes		236 x 130	9.3 x 5.1	3	6.8	112279
HD 32/41	41	1 cable/pipe	16 cables/pipes	24 cables/pipes	236 x 130	9.3 x 5.1	3	6.8	112280

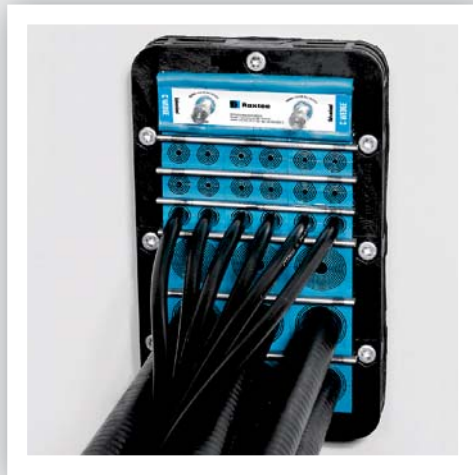
Modules and frames can be ordered separately.

HD 32 frame, technical information



Pos	(mm)	(in)
c	51.5	2.02
e	60	1.36
f	45	1.77
g	69.7	2.75
h_1	160	6.3
w_1	40	1.57
t_1	4	0.15
t_2 Wall thickness	Max 4	Max 0.157
r	SW10	0.4

Note: All dimensions are nominal values



Roxtec C KFO frame

The Roxtec C KFO is a light-weight composite frame in size 6x1. The frame is openable for easy installation around existing cables. The product is supplied as ready-made kits which include all necessary components.

- Attachment by bolting
- Available with or without flange
- Available with stainless steel fasteners upon request

C KFO frame, PA 6.6, 30% GF - flange, PP



C KFO 6x1

C KFO 6x1 with flange

C KFO Counter frame

Parts needed for a complete solution



page 46

RATINGS

IP: 55

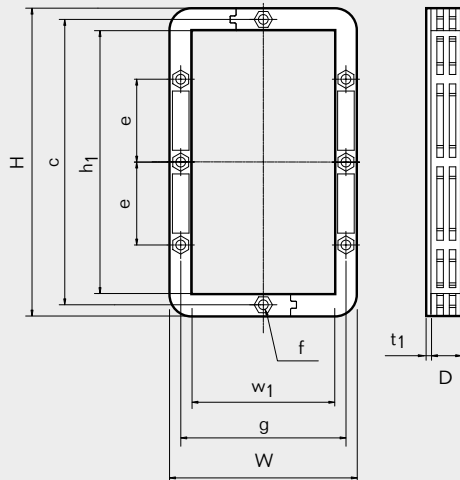
Frame	For No. openings	Packing space (mm)	External dimensions		Weight		Art. No
			HxW (mm)	HxW (in)	(kg)	(lb)	
C KFO 6x1	1	180 x 120	260 x 159	10.236 x 6.260	0.6	1.323	CKF0000060059
C KFO 6x1 with flange	1	180 x 120	420 x 319	16.535 x 12.559	1.2	2.646	CKF1000060059
C KFO Counter frame*	1	180 x 120	262 x 161	10.315 x 6.338	0.4	0.882	KFC0000100011

* The C KFO Counter frame is recommended if the wall is 1.5 mm (0.059") or thinner.

Modules and frames can be ordered separately.

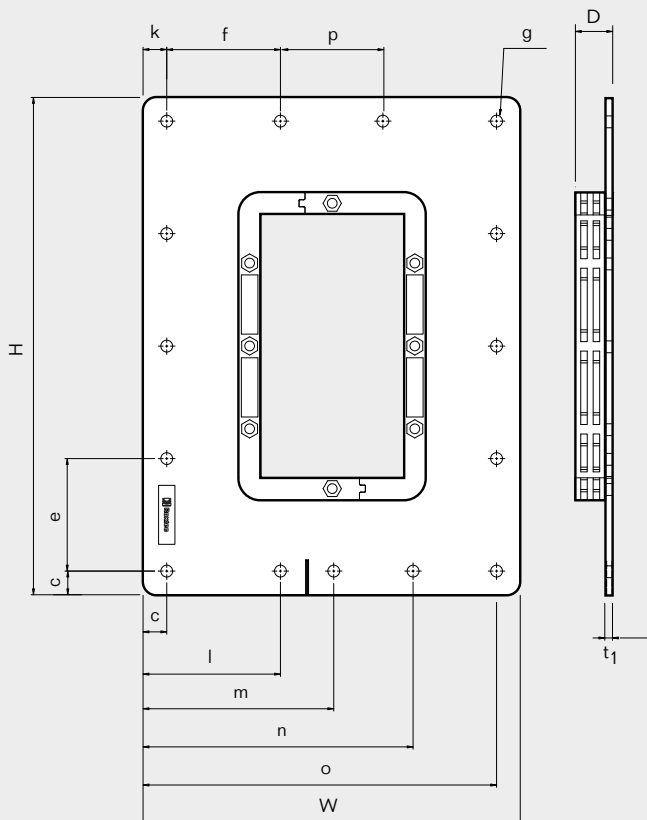
C KFO frame, technical information

C KFO 6x1



Pos	(mm)	(in)
c	241	9.488
e	70	2.756
f	Ø 8.2 (8x)	Ø 0.323 (8x)
g	140	5.512
h ₁	222	8.740
w ₁	120	4.724
t ₁	gasket 2	0.079
D	26	1.024

C KFO 6x1 with flange

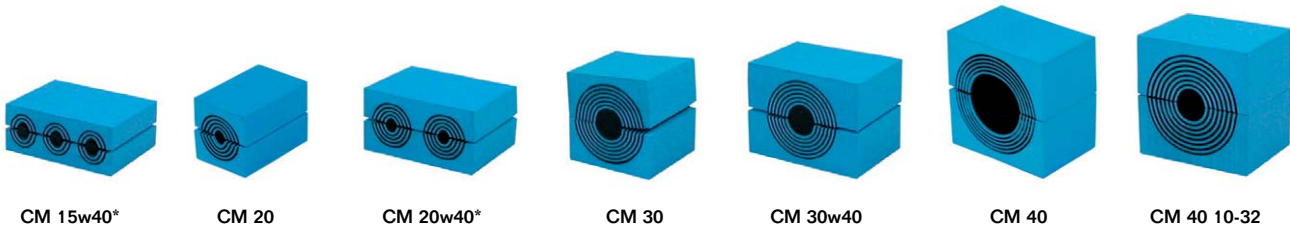


Pos	(mm)	(in)
c	20	0.787
e	95 (4x)	3.740 (4x)
f	96 (2x)	3.780 (2x)
g	Ø 10 (23x)	Ø 0.394 (23x)
l	116	4.567
m	161	6.339
n	228	8.976
o	299	11.772
t ₁	8	0.315
p	87	3.425
D	34	1.339

Max wall thickness: 6 mm (0.236")

Note: All dimensions are nominal values

Roxtec CM modules



* Whenever possible we recommend choosing twin or triplet modules like CM20w40 or CM15w40. Benefits are higher area efficiency per frame opening, quicker installation and improved cost-effectiveness.

Module	Number of cables/pipes	For cable/pipe diameter		External dim. (mm) HxW (D=30 mm)	Weight (max)		Art. No
		\varnothing_a - \varnothing_b (mm)	\varnothing_a - \varnothing_b (in)		(kg)	(lb)	
CM 15w40*	3	0+ 3.5-10.5	0+ 0.138-0.413	15x40	0.03	0.055	C000115401000
CM 20	1	0+ 4.0-14.5	0+ 0.157-0.571	20x20	0.02	0.044	C000100201000
CM 20w40*	2	0+ 3.5-16.5	0+ 0.138-0.650	20x40	0.04	0.077	C000120401000
CM 30	1	0+ 10.0-25.0	0+ 0.394-0.984	30x30	0.04	0.088	C000100301000
CM 30w40	1	0+ 10.0-25.0	0+ 0.394-0.984	30x40	0.06	0.121	C000130401000
CM 40	1	0+21.5-34.5	0+ 0.846-1.358	40x40	0.07	0.135	5CM0000008983
CM 40 10-32	1	0+ 9.5-32.5	0+ 0.374-1.280	40x40	0.07	0.135	C000140101000

C Wedge kit/parts, galvanized



C Wedge kit galv

The wedge kit includes one Roxtec Wedge 120, five stayplates, one lubricant and installation instructions.

Wedge	External dimensions		Weight		Art. No
	W (mm)	W (in)	(kg)	(lb)	
C Wedge kit galv	120	4.724	0.65	1.443	AWK2001201018



Roxtec KFO frame

The Roxtec KFO is a light-weight composite frame in size 6x1. The frame is openable for easy installation around existing cables and pipes. Upon request, the product can be supplied as ready-made kits including all necessary components.

- Attachment by bolting
- Available with or without flange
- Available with stainless steel fasteners upon request to meet requirements in aggressive corrosive environments

KFO frame, PA 6.6, 30% GF - flange, PP



KFO 6x1

KFO 6x1 with flange

Parts needed for a complete solution



page 51

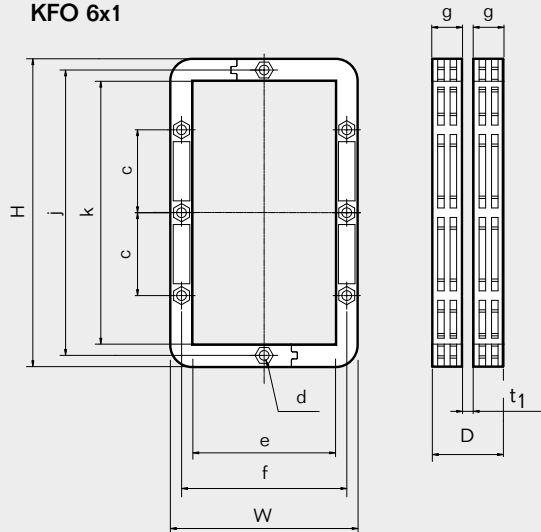
RATINGS

IP: 66/67

Frame	For No. openings	Packing space (mm)	External dimensions		Weight		Art. No
			HxW (mm)	HxW (in)	(kg)	(lb)	
KFO 6x1	1	180 x 120	260 x 159	10.236 x 6.260	1.0	2.094	KFO0000060059
KFO 6x1 with flange	1	180 x 120	420 x 319	16.535 x 12.559	1.6	3.417	KFO1000060059

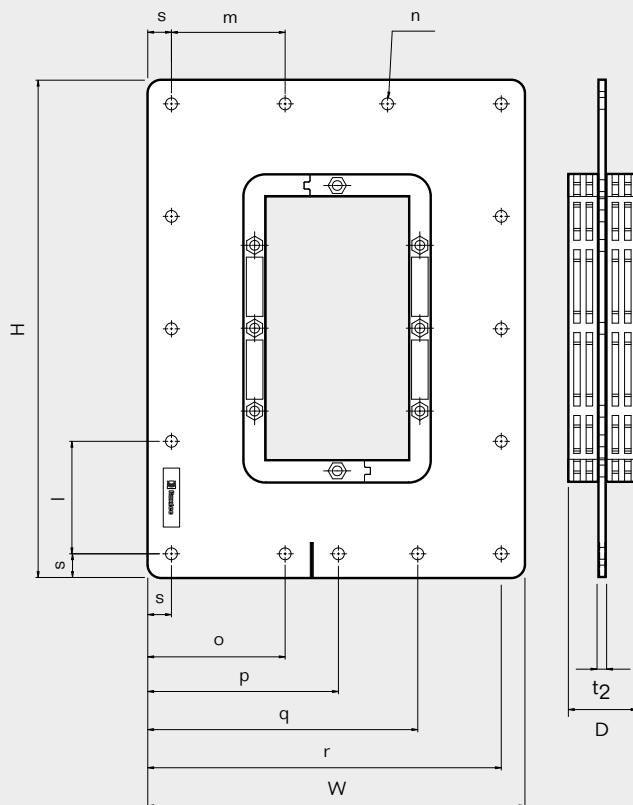
KFO frame, technical information

KFO 6x1



Pos	(mm)	(in)
c	70	2.756
d	Ø 8.2 (8x)	Ø 0.323 (8x)
e	120	4.724
f	140	5.512
g	26	1.024
j	241	9.488
k	222	8.740
t ₁	Wall thickness 5-8	0.197-0.315
D	57-60	2.244-2.362

KFO 6x1 with flange



Pos	(mm)	(in)
l	95 (4x)	3.740 (4x)
m	96 (3x)	3.780 (3x)
n	Ø 10 (23x)	Ø 0.394 (23x)
o	116	4.567
p	160	6.299
q	220	8.661
r	299	11.772
s	20	0.787
t ₂	8	0.315
D	60	2.362

Note: All dimensions are nominal values



Roxelte GHM frame

The Roxelte GHM frame is a flanged metal frame designed for installation through bolting. The frame is sealed onto the structure by use of TSL sealing strip and used with adaptable sealing modules. Upon request, the product can be supplied as ready-made kits including all necessary components.

- Attachment by bolting
- Drilled according to standardized hole pattern



GHM frame, acid-proof stainless steel



GHM 6x1 AISI 316

Parts needed for a complete solution



page 51

Also available in galvanized mild steel.

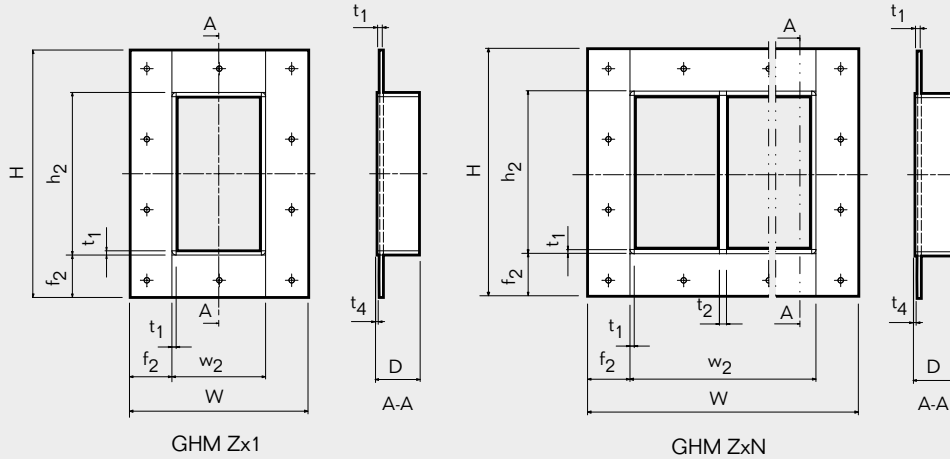
For shielded EMC applications a conductive gasket is required.

For information about other frame combinations, please contact your local Roxelte supplier or e-mail: info@roxelte.com

RATINGS IP: 66/67 UL/NEMA: 4, 4X, 12, 13

Frame	Frame openings	Packing space (mm)	External dimensions (D=60mm)		Weight		Art. No
			HxW (mm)	HxW (in)	(kg)	(lb)	
GHM 2x1 AISI316	1	60 x 120	233 x 253	9.173 x 9.961	3.4	7.562	2GHM000003379
GHM 2x2 AISI316	2	60 x 120	233 x 383	9.173 x 15.079	5.4	11.905	2GHM200000221
GHM 2x3 AISI316	3	60 x 120	233 x 514	9.173 x 20.236	7.4	16.218	109392
GHM 4x1 AISI316	1	120 x 120	292 x 253	11.496 x 9.961	4.1	9.039	2GHM000003380
GHM 4x2 AISI316	2	120 x 120	292 x 383	11.496 x 15.079	6.3	13.977	2GHM000003381
GHM 4x3 AISI316	3	120 x 120	292 x 514	11.496 x 20.236	8.6	18.938	2GHM400000321
GHM 6x1 AISI316	1	180 x 120	350 x 253	13.780 x 13.961	4.8	10.516	2GHM000004746
GHM 6x2 AISI316	2	180 x 120	350 x 383	13.780 x 15.079	7.3	16.072	2GHM000004027
GHM 6x3 AISI316	3	180 x 120	350 x 514	13.780 x 20.236	9.8	21.627	2GHM000004044

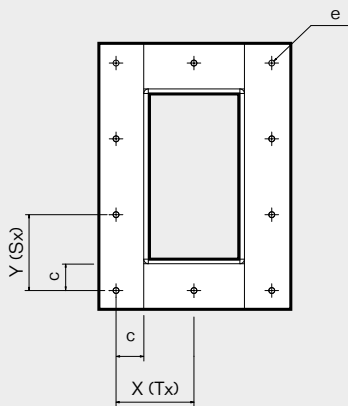
GHM frames, technical information



Pos	(mm)	(in)
h ₂	H - 120	H - 4.724
w ₂	W - 120	W - 4.724
D	60	2.362
f ₂	60	2.362
t ₁	6	0.263
t ₂	10	0.394
t ₃	12	0.394
t ₄	3	0.118
e	10	0.394
c	35	1.378

Z = Frame size
N = Number of horizontal openings

Hole pattern



X (Tx)

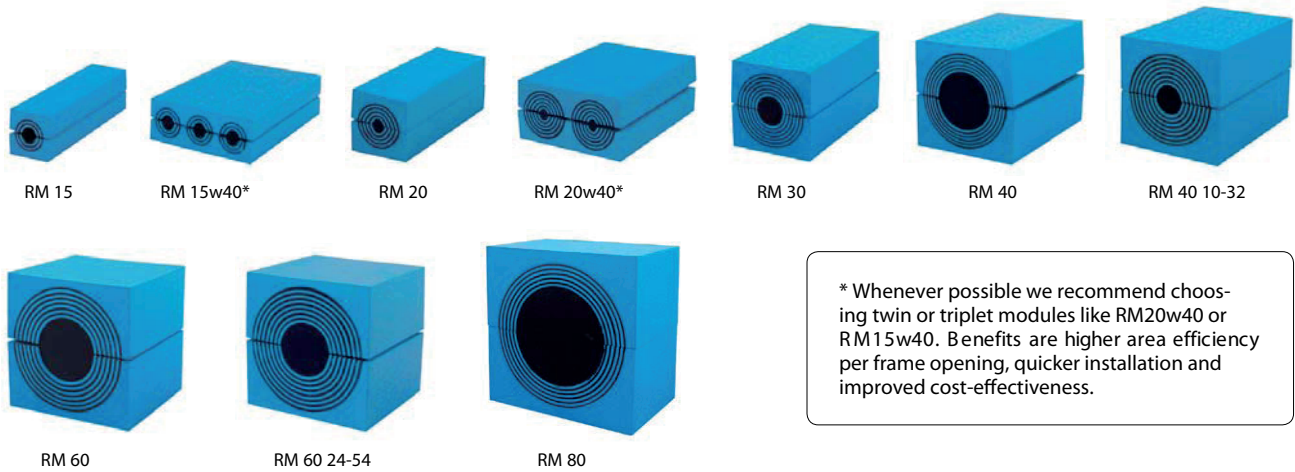
	X (mm)	X (in)	T
GHM 2x1	101.3	3.988	2
GHM 2x2	111	4.370	3
GHM 2x3	92.7	3.650	5
GHM 4x1	101.3	3.988	2
GHM 4x2	111	4.370	3
GHM 4x3	92.7	3.650	5
GHM 6x1	101.3	3.988	2
GHM 6x2	111	4.370	3
GHM 6x3	92.7	3.650	5

Y (Sx)

	Y (mm)	Y (in)	S
GHM 2x1	91.5	3.602	2
GHM 2x2	91.5	3.602	2
GHM 2x3	91.5	3.602	2
GHM 4x1	80.5	3.169	3
GHM 4x2	80.5	3.169	3
GHM 4x3	80.5	3.169	3
GHM 6x1	75	2.953	4
GHM 6x2	75	2.953	4
GHM 6x3	75	2.953	4

Note: All dimensions are nominal values

Roxtec RM modules



* Whenever possible we recommend choosing twin or triplet modules like RM20w40 or RM 15w40. Benefits are higher area efficiency per frame opening, quicker installation and improved cost-effectiveness.

Module	Number of cables/pipes	For cable/pipe diameter		External dim. (mm) HxW (D=60 mm)	Weight (max)		Art. No
		Ø a-Ø b (mm)	Ø a-Ø b (in)		(kg)	(lb)	
RM 15	1	0+3.0-11.0	0+0.118-0.433	15x15	0.02	0.044	RM00100151000
RM 15w40*	3	0+3.5-10.5	0+0.138-0.413	15x40	0.05	0.110	RM00115401000
RM 20	1	0+4.0-14.5	0+0.157-0.571	20x20	0.04	0.088	RM00100201000
RM 20w40*	2	0+3.5-16.5	0+0.138-0.650	20x40	0.07	0.154	RM00120401000
RM 30	1	0+10.0-25.0	0+0.394-0.984	30x30	0.08	0.176	RM00100301000
RM 40	1	0+21.5-34.5	0+0.846-1.358	40x40	0.14	0.309	RM00100401000
RM 40 10-32	1	0+9.5-32.5	0+0.374-1.280	40x40	0.14	0.309	RM00140101000
RM 60	1	0+28.0-54.0	0+1.102-2.126	60x60	0.33	0.728	RM00100601000
RM 60 24-54	1	0+24.0-54.0	0+0.945-2.126	60x60	0.33	0.728	RM00160201000
RM 80	1	0+48.0-71.0	0+1.890-2.795	80x80	0.59	1.301	5RM0000003350

Wedge kits, galvanized/acid-proof stainless steel



Wedge kit 120 galv

The wedge kit includes one Roxtec Wedge 120, five stayplates, one wedge clip, one lubricant and installation instructions.

Wedge	External dimensions		Weight		Art. No
	W (mm)	W (in)	(kg)	(lb)	
GALVANIZED					
Wedge kit galv	(wedge) 120	(wedge) 4.724	1.5	3.307	AWK0001201018
ACID PROOF STAINLESS STEEL					
Wedge kit AISI 316	(wedge) 120	(wedge) 4.724	1.5	3.307	AWK0001201021

Installation/disassembly tools



Pre-compression tool, small



Pre-compression tool, large



Pre-compression eccentric tool, small



Pre-compression eccentric tool, large



Pre-compression eccentric tool, compact



Handgrip pre-compression tool



Pre-compression wedge 60/40



Pre-compression wedge 120



Stayplate clamps horizontal inst



Stayplate clip



RG M63 tools



RG M63 tool 3/8 grip



Module Adaption Indicator

Tool	For use with	Art. No
Pre-compression tool, small	KFO, GHM	5ICT000001269
Pre-compression tool, large	KFO, GHM	ICT0001000000
Pre-compression eccentric tool, small	KFO, GHM	ICT0001000302
Pre-compression eccentric tool, large	KFO, GHM	ICT0001000301
Pre-compression eccentric tool, compact	ComSeal LW, ComSeal, EzEntry, CF 8/32, CF 16, HD 32, C KFO	ICT0001000316
Handgrip pre-compression tool	KFO, GHM	ICT0001000401
Pre-compression wedge 60/40	ComSeal LW, ComSeal, EzEntry, CF 8/32, CF 16, HD 32	5ICT000003691
Pre-compression wedge 120	KFO, GHM	ICT0001000500
Stayplate clamps horizontal inst, 2 pcs	KFO, GHM	ICT0001000100
Stayplate clip	KFO, GHM	ICT0001000200
RG M63 tools	RG M63	5IRG000001545
RG M63 tool 3/8 grip	RG M63	ICT2010000001
Module Adaption Indicator	Measuring tool for easier selection of sealing module	IQR2009000101

Offering possibilities, manufacturing solutions



STAINLESS STEEL ENCLOSURES



OUTDOOR ENCLOSURES



EX ATEX ENCLOSURES



LED LIGHTING



INDUSTRIAL ENCLOSURES



CLIMATE CONTROL SOLUTIONS



ACCESSORIES

Consult us without obligation

Confidentiality, reliability & quality

www.delvallebox.com
comercial@delvalle.es
+34 945 601 381

ALSO ONLINE





Enclosures & Cabinets for Special Requirements



Paso del Prao, 6. 01320 Oyón (Álava), Spain
Phone. +34 945 601 381
www.delvallebox.com - comercial@delvalle.es
Contact us, we will be available at any time.

