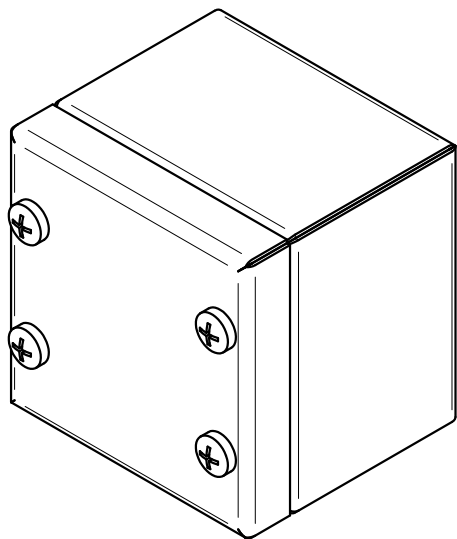
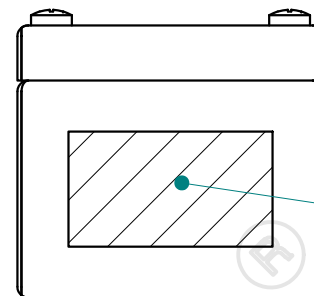
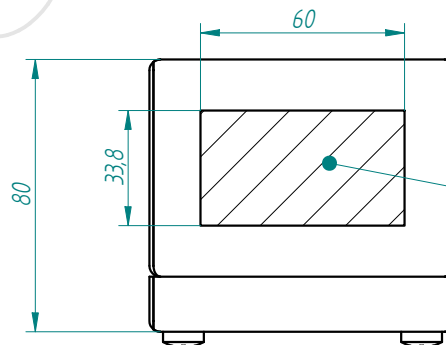
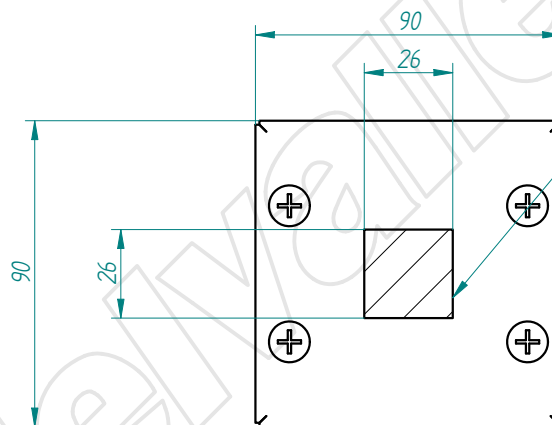
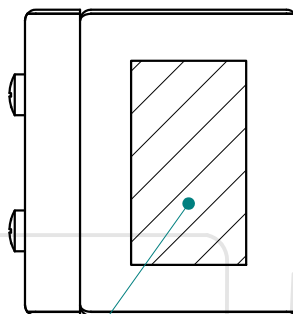


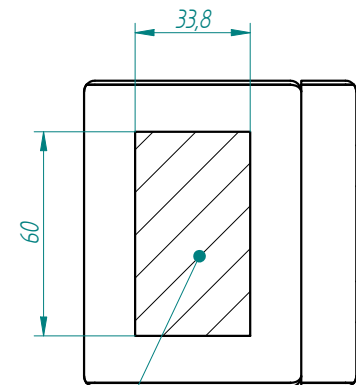
This present document and its contents are confidential, and are the exclusive intellectual and / or industrial property of DEVALLE. In addition to any technology, design, invention, work, process, know-how, calculation, manual, method, solution, idea, improvement, drawing, diagram, modification, contribution and, in short, any associated information or documentation involving industrial or intellectual property developed or supplied by DEVALLE on the occasion of the quote, order execution or incorporated into the design or operation of the supply. The recipient may not use such information in his favour or in that of a third party for purposes other than the fulfilment of the order and the operation and maintenance of the supply, without the prior written consent of DEVALLE. It is strictly forbidden to totally or partially reproduce this document and to misuse it or to show it to third parties. The infringing parties shall be required to pay the corresponding compensation for damages, and any other legal or criminal responsibility is the infringer's sole responsibility.



Mechanical area/
Zone d'usinage/
Zona de mecanizado




Mechanical area/
Zone d'usinage/
Zona de mecanizado

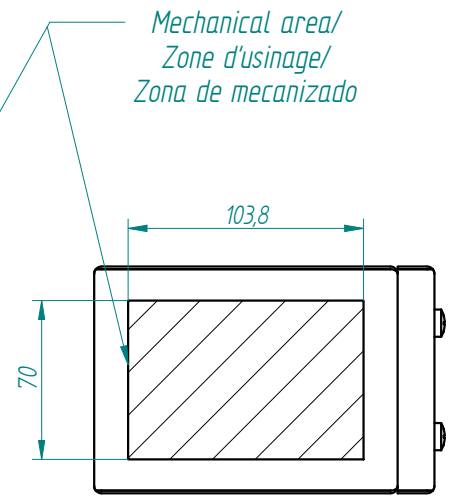
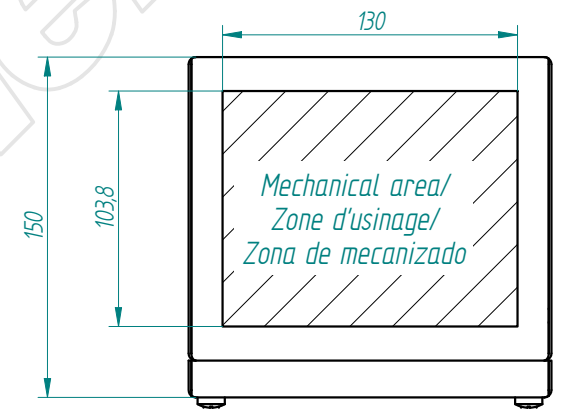
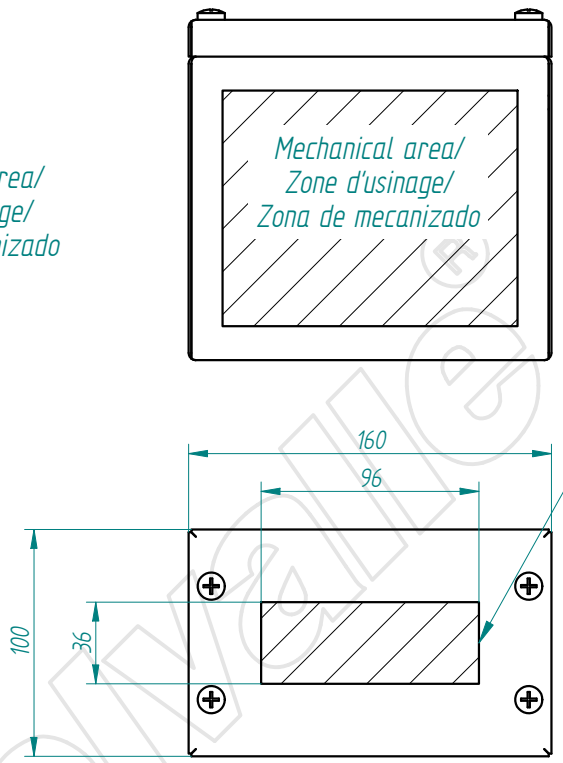
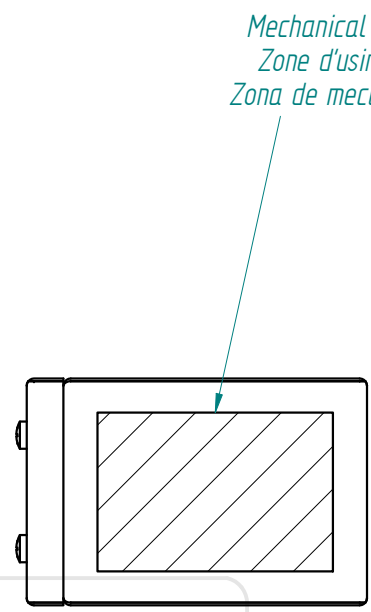
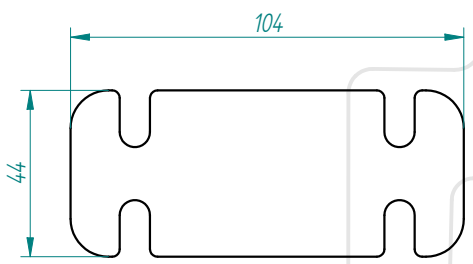
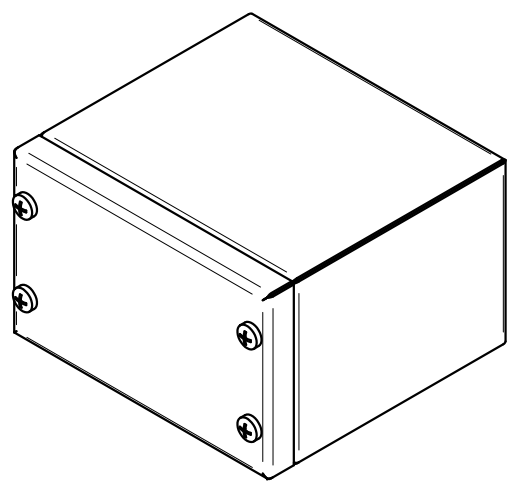



Mechanical area/
Zone d'usinage/
Zona de mecanizado



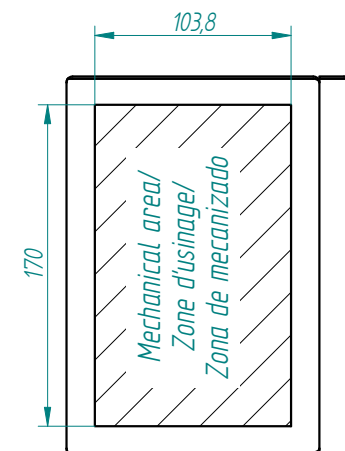
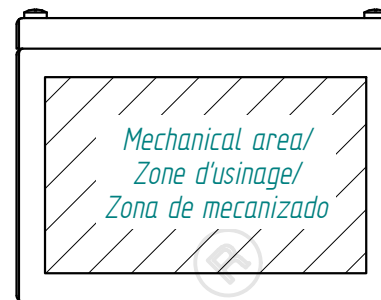
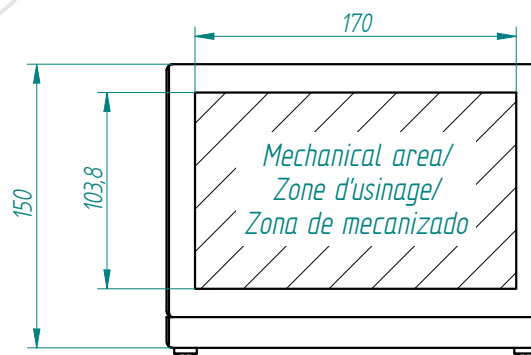
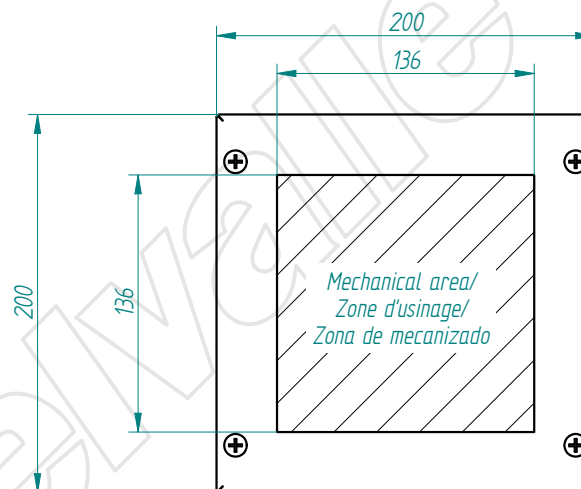
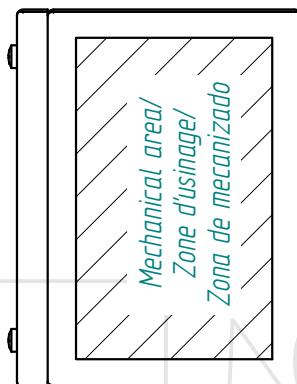
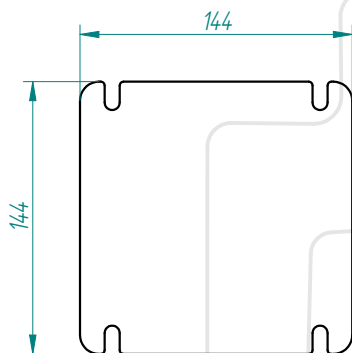
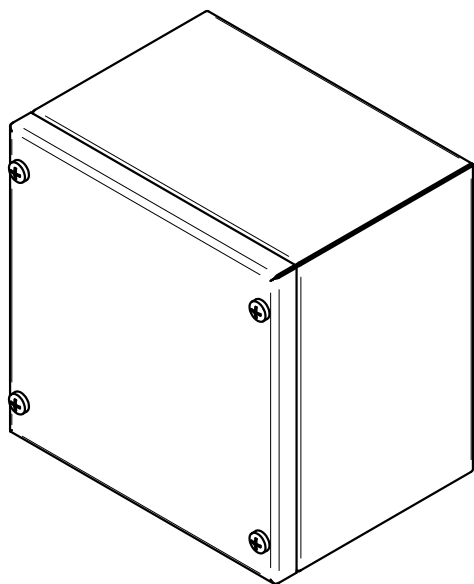
TOLERANCIA GENERAL DE MECANIZACION segun DIN 7168	Creación del documento	23/01/2017	J.I. Osma	A	Referencia: MVEB000000/67	DIBUJADO: 23/01/2017	FECHA: 23/01/2017	FIRMA: José Ignacio Osma	 N° PLANO: CB/67-00 a
	MODIFICACIONES	FECHA:	FIRMA:	REVISIÓN:	- plegado: acabado:	APROBADO: 23/01/2017	FECHA: 23/01/2017	FIRMA: José Ignacio Osma	
						DESIGNACIÓN: Geo IP68 90x90x80 estandar			

This present document and its contents are confidential, and are the exclusive intellectual and / or industrial property of DEVALLE. In addition to any technology, design, invention, work, process, know-how, calculation, manual, method, solution, idea, improvement, drawing, diagram, modification, contribution and, in short, any associated information or documentation involving industrial or intellectual property developed or supplied by DEVALLE on the occasion of the quote, order execution or incorporated into the design or operation of the supply. The recipient may not use such property in his favour or in that of a third party for purposes other than the fulfilment of the order and the operation and maintenance of the supply, without the prior written consent of DEVALLE. It is strictly forbidden to totally or partially reproduce this document and to misuse it or to show it to third parties. The infringing parties shall be required to pay the corresponding compensation for damages, and any other legal or criminal, responsible & the infringement may give rise to.



TOLERANCIA GENERAL DE MECANIZACION según DIN 7168	Creación del documento	23/01/2017	J.I. Osma	A	Referencia: MVEB000000/67	DIBUJADO: 23/01/2017	FECHA: 23/01/2017	FIRMA: José Ignacio Osma	 N° PLANO: CB/67-00 a
	MODIFICACIONES	FECHA:	FIRMA:	REVISIÓN:	- plegado: acabado:	APROBADO: 23/01/2017	FECHA: 23/01/2017	FIRMA: José Ignacio Osma	
						DESIGNACIÓN: Geo IP68 100x160x150 estandar			

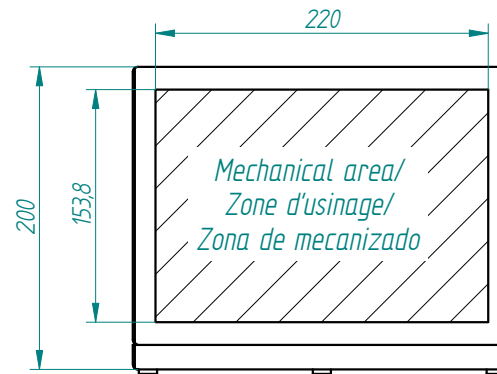
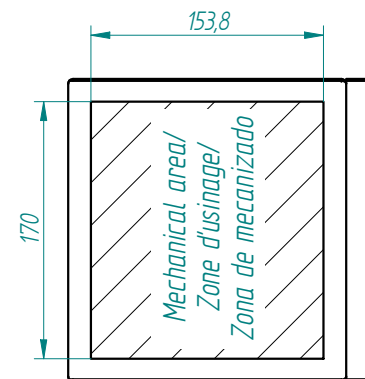
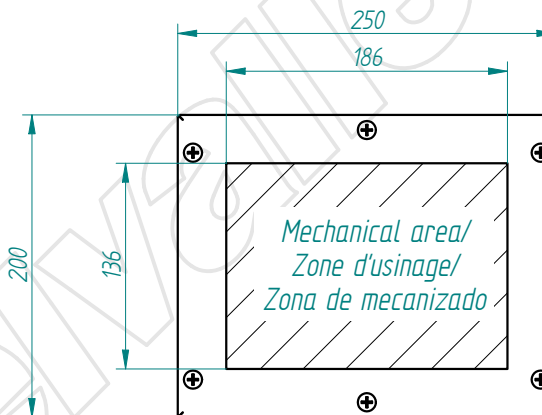
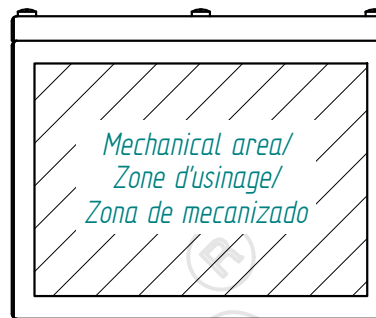
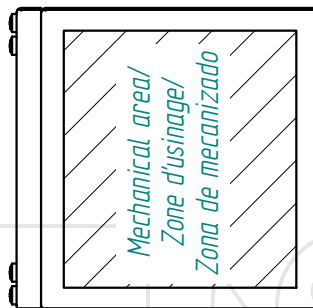
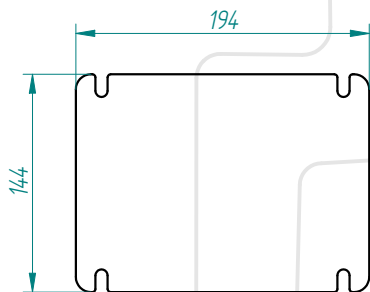
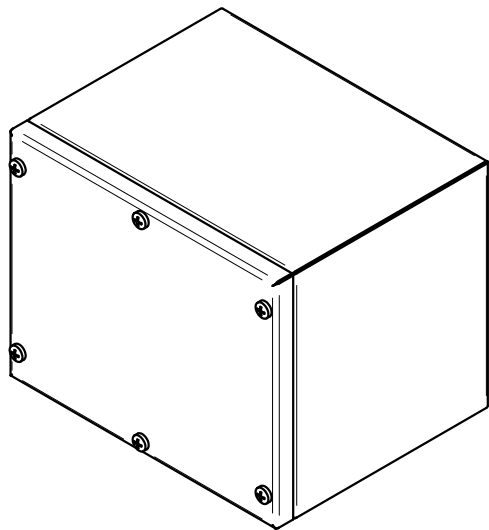
This present document and its contents are confidential, and are the exclusive intellectual and / or industrial property of DELVALLE. In addition to any technology, design, invention, work, process, know-how, calculation, manual, improvement, drawing, diagram, modification, contribution and, in short, any associated information or documentation involving industrial or intellectual property developed or supplied by DELVALLE on the occasion of the quote, order execution or incorporated into the design or operation of the supply. The recipient may not use such property in his favour or in that of a third party for purposes other than the fulfilment of the order and the operation and maintenance of the supply, without the prior written consent of DELVALLE. It is strictly forbidden to totally or partially reproduce this document and to misuse it and / or to show it to third parties. The infringing parties shall be required to pay the corresponding compensation for damages, and any other legal or criminal responsibilities. The infringement may give rise to.



TOLERANCIA GENERAL DE MECANIZACION según DIN 7168	Creación del documento	23/01/2017	J.I. Osma	A	Referencia: MVEB000000/67 - plegado: acabado.	DIBUJADO:	23/01/2017	FIRMA: José Ignacio Osma
	MODIFICACIONES	FECHA:	FIRMA:	REVISIÓN:		APROBADO:	23/01/2017	José Ignacio Osma
DESIGNACIÓN:						Nº PLANO:		
Geo IP68 200x200X150 estandar						CB/67-00 a		



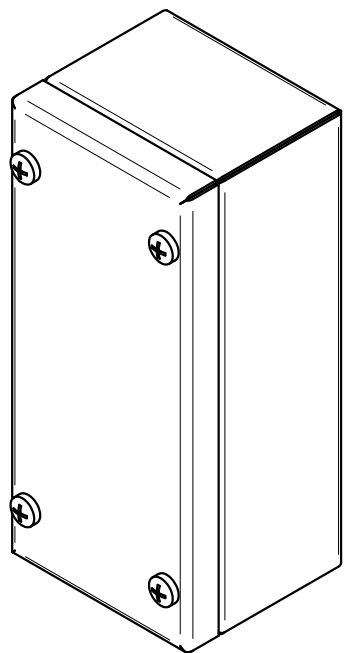
This present document and its contents are confidential, and are the exclusive intellectual and / or industrial property of DELVALLE ., in addition to any technology, design, invention, work, process, know-how, calculation, manual, solution, idea, improvement, drawing, diagram, modification, contribution and, in short, any associated information or documentation involving industrial or intellectual property developed or supplied by DELVALLE on the occasion of the quote, order execution or incorporated into the design or operation of the supply. The recipient may not use such property in his favour or in that of a third party for purposes other than the fulfilment of the order and the operation and maintenance of the supply, without the prior written consent of DELVALLE. It is strictly forbidden to totally or partially reproduce this document and to misuse it and / or to show it to third parties. The infringing parties shall be required to pay the corresponding compensation for damages, and any other legal or criminal responsibility. The infringement may give rise to.



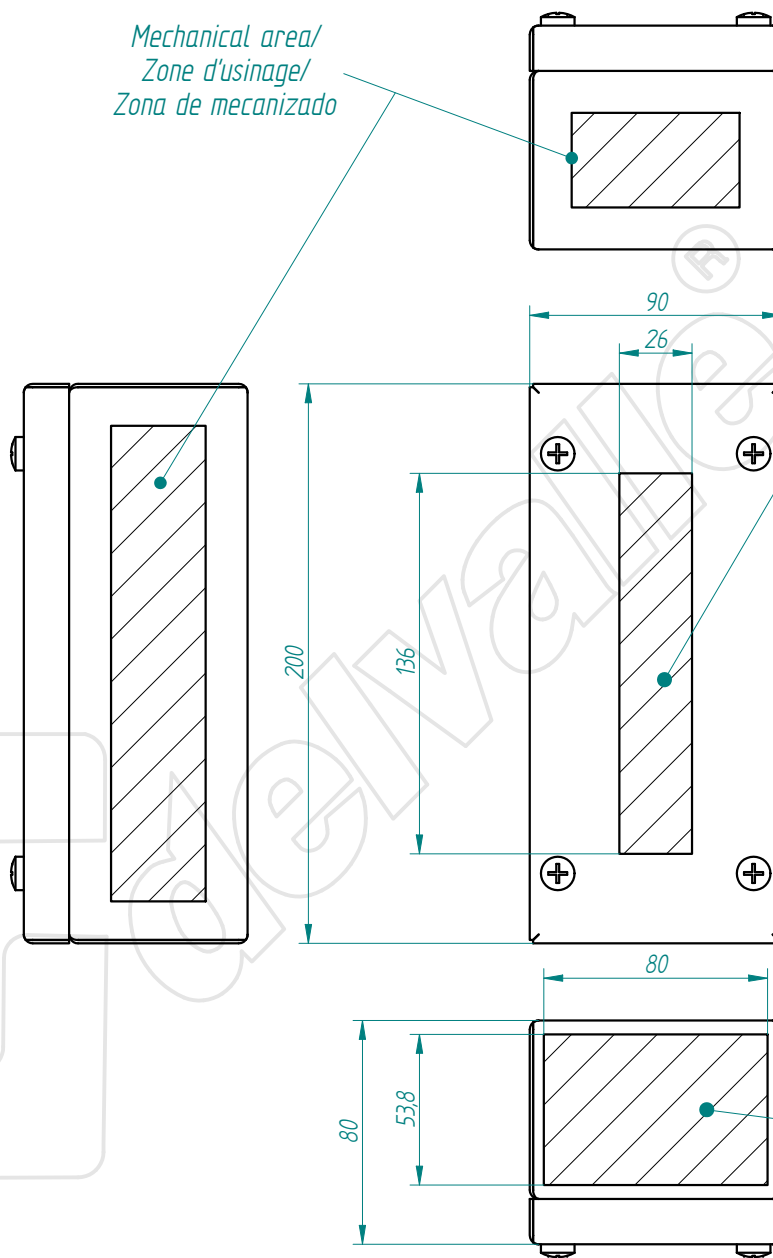
TOLERANCIA GENERAL DE MECANIZACION según DIN 7168					Referencia:			
					MVEB000000/67	DIBUJADO:	23/01/2017	FIRMA:
						APROBADO:	23/01/2017	José Ignacio Osma
	Creación del documento	23/01/2017	J.I. Osma	A	-	DESIGNACIÓN:		Nº PLANO:
	MODIFICACIONES	FECHA:	FIRMA:	REVISIÓN:	plegado: acabado:	Geo IP68 200x250x200 estandar		CB/67-00 a



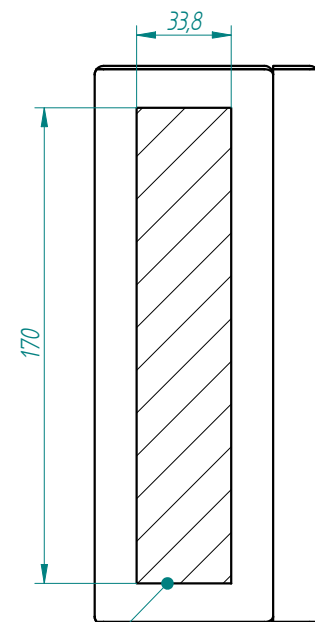
This present document and its contents are confidential, and are the exclusive intellectual and / or industrial property of DEVALLE. In addition to any technology, design, invention, work, process, know-how, calculation, manual, method, solution, idea, improvement, drawing, diagram, modification and, in short, any associated information or documentation involving industrial or intellectual property developed or supplied by DEVALLE on the occasion of the quote, order execution or incorporated into the design or operation of the supply. The recipient may not use such property in his favour or in that of a third party for purposes other than the fulfilment of the order and the operation and maintenance of the supply, without the prior written consent of DEVALLE. It is strictly forbidden to totally or partially reproduce this document and to misuse it and / or to show it to third parties. The infringing parties shall be required to pay the corresponding compensation for damages and any other legal or criminal responsibilities. The infringement may give rise to.



Mechanical area/
Zone d'usinage/
Zona de mecanizado




Mechanical area/
Zone d'usinage/
Zona de mecanizado

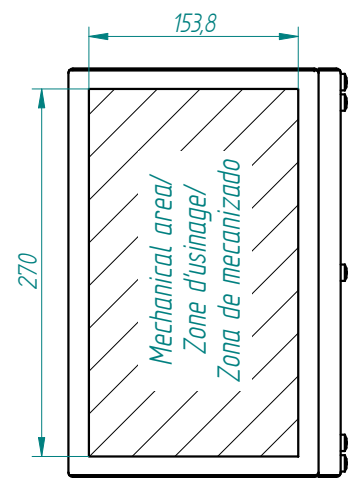
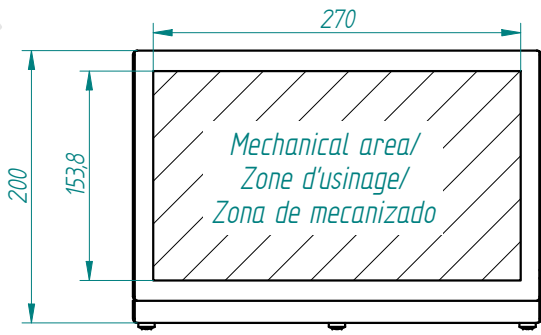
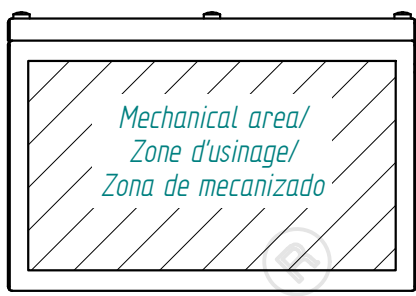
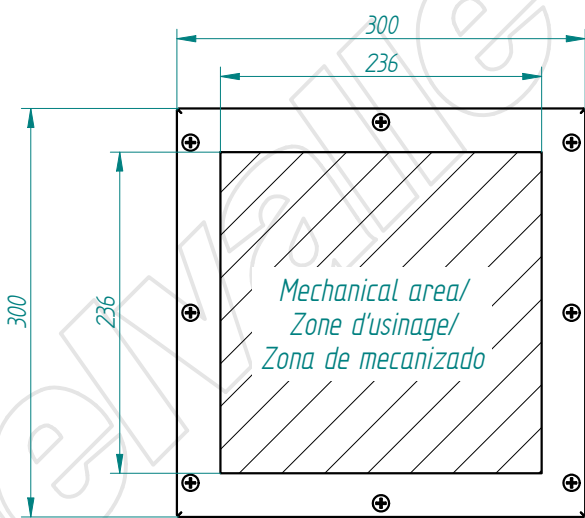
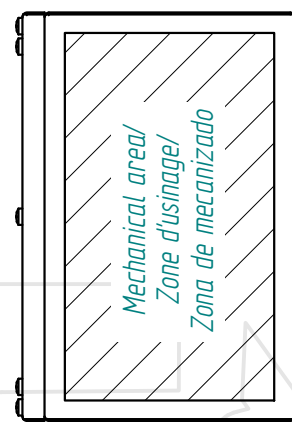
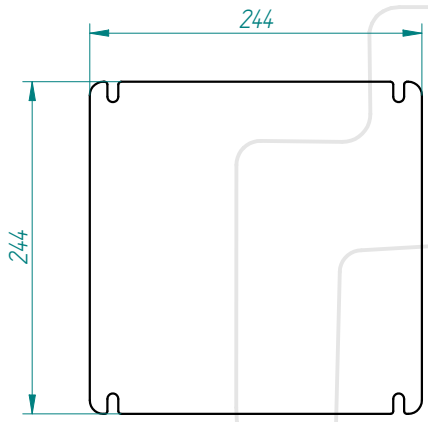
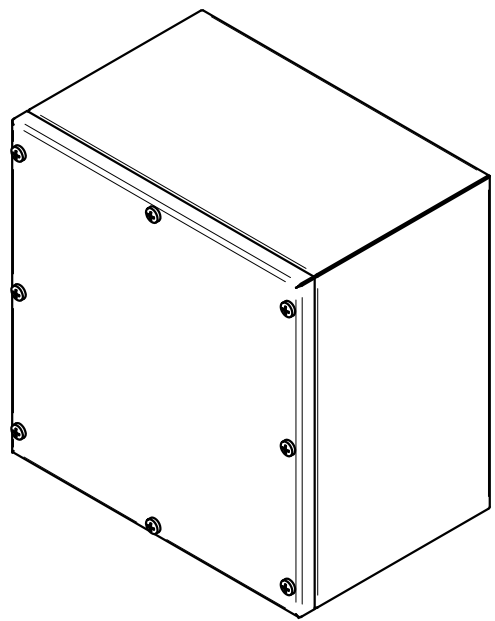


Mechanical area/
Zone d'usinage/
Zona de mecanizado



TOLERANCIA GENERAL DE MECANIZACION segun DIN 7168	Creación del documento	23/01/2017	J.I. Osma	A	Referencia: MVEB000000/67	DIBUJADO: 23/01/2017	FECHA: 23/01/2017	FIRMA: José Ignacio Osma	
	MODIFICACIONES	FECHA:	FIRMA:	REVISIÓN:	- plegado: acabado:	APROBADO: 23/01/2017		José Ignacio Osma	
DESIGNACIÓN: Geo IP68 200x90x80 estandar						Nº PLANO: CB/67-00 a			

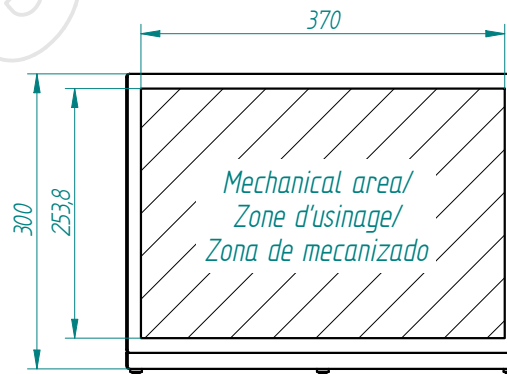
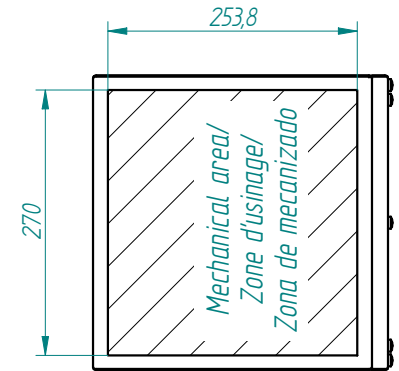
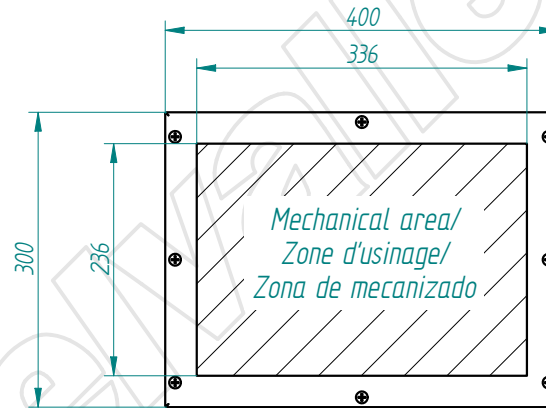
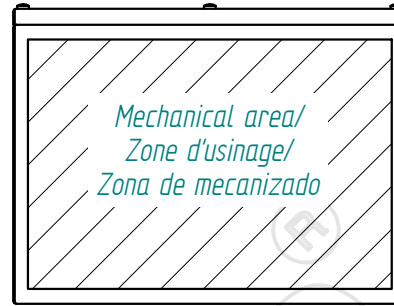
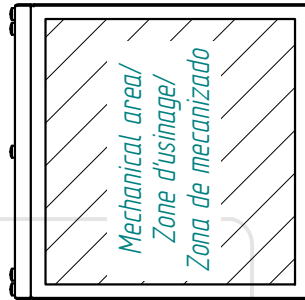
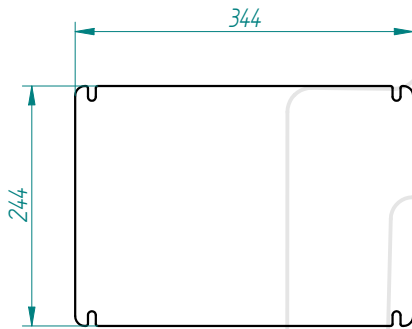
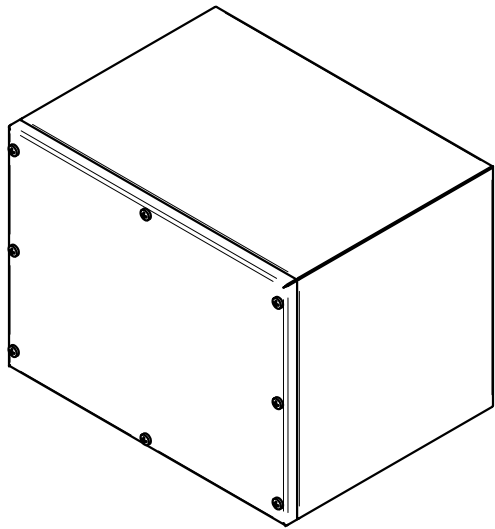
This present document and its contents are confidential, and are the exclusive intellectual and / or industrial property of DEVALLE. In addition to any technology, design, invention, work, process, know-how, calculation, manual, method, solution, idea, improvement, drawing, diagram, modification, contribution and, in short, any associated information or documentation involving industrial or intellectual property developed or supplied by DEVALLE on the occasion of the quote, order execution or incorporated into the design or operation of the supply. The recipient may not use such property in his favour or in that of a third party for purposes other than the fulfilment of the order and the operation and maintenance of the supply, without the prior written consent of DEVALLE. It is strictly forbidden to totally or partially reproduce this document and to misuse it or to show it to third parties. The infringing parties shall be required to pay the corresponding compensation for damages, and any other legal or criminal responsibility is the infringement may give rise to.




TOLERANCIA GENERAL DE MECANIZACION según DIN 7168	Creación del documento	23/01/2017	J.I. Osma	A	Referencia: MVEB000000/67	DIBUJADO: 23/01/2017	FECHA: 23/01/2017	FIRMA: José Ignacio Osma
	MODIFICACIONES	FECHA:	FIRMA:	REVISIÓN:	- plegado: acabado:	APROBADO: 23/01/2017		José Ignacio Osma
DESIGNACIÓN: Geo IP68 300x300x200 estandar						Nº PLANO: CB/67-00 a		

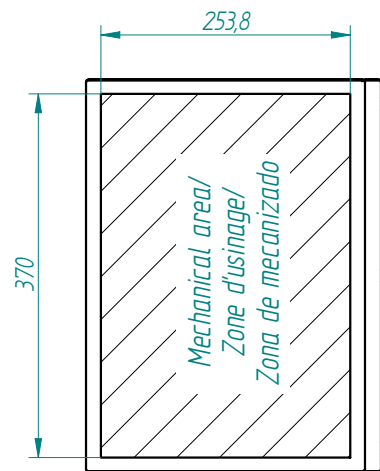
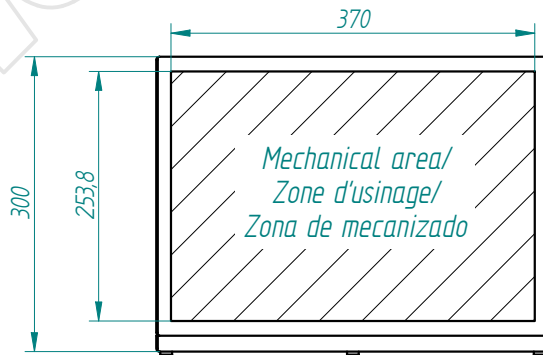
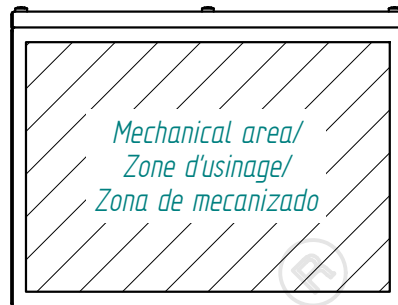
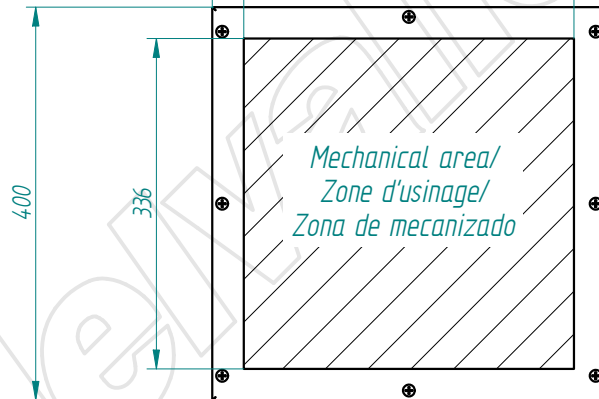
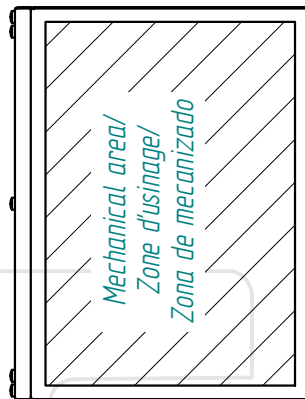
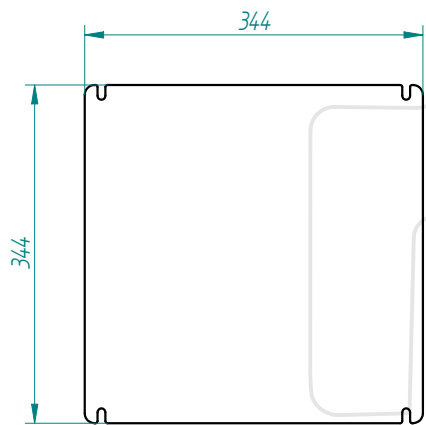
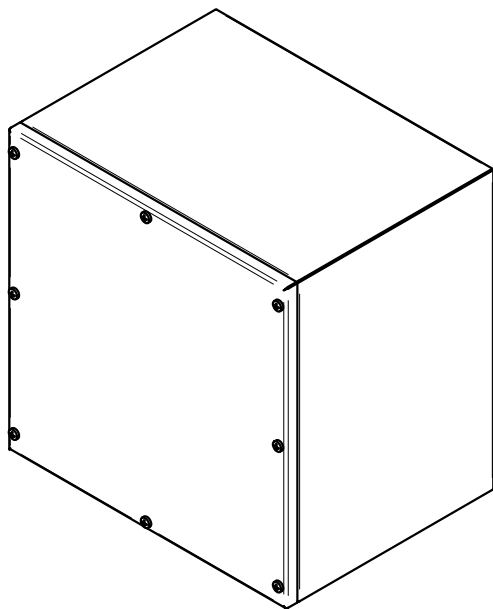



This present document and its contents are confidential, and are the exclusive intellectual and / or industrial property of DEVALLE. In addition to any technology, design, invention, work, process, know-how, calculation, manual, method, solution, idea, improvement, drawing, diagram, modification, contribution and, in short, any associated information or documentation involving industrial or intellectual property developed or supplied by DEVALLE on the occasion of the quote, order execution or incorporated into the design or operation of the supply. The recipient may not use such property in his favour or in that of a third party for purposes other than the fulfilment of the order and the operation and maintenance of the supply, without the prior written consent of DEVALLE. It is strictly forbidden to totally or partially reproduce this document and to misuse it and / or to show it to third parties. The infringing parties shall be required to pay the corresponding compensation for damages and any other legal or criminal responsibilities. The infringement may give rise to.



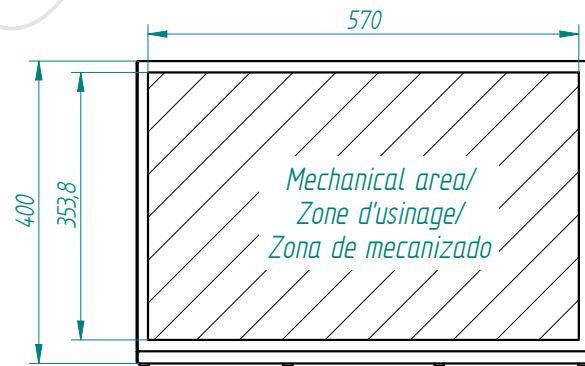
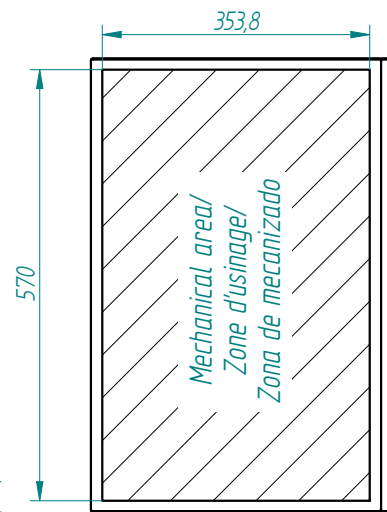
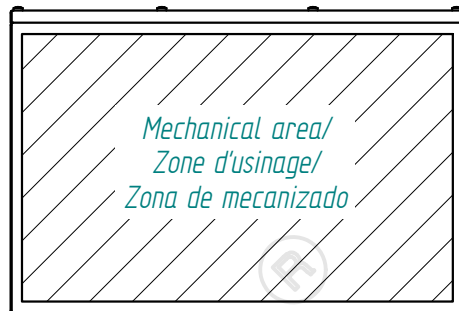
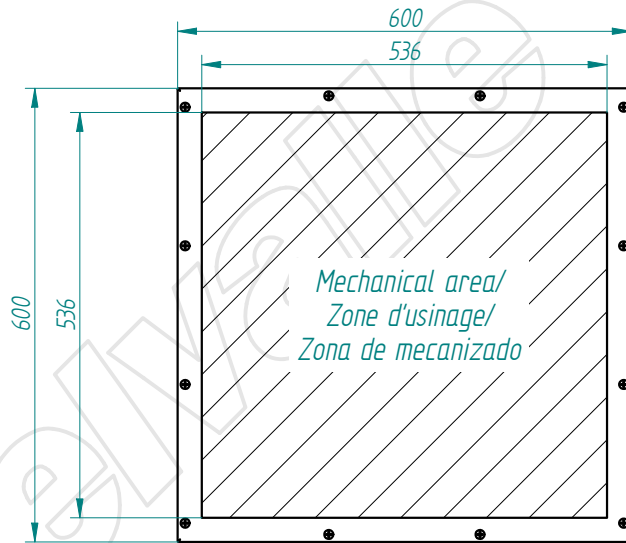
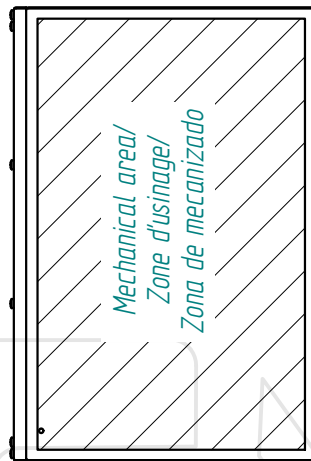
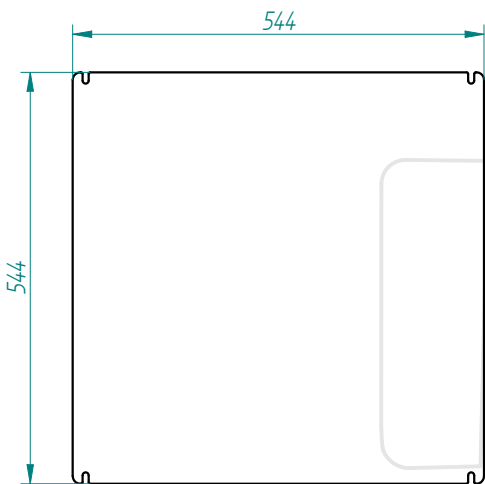
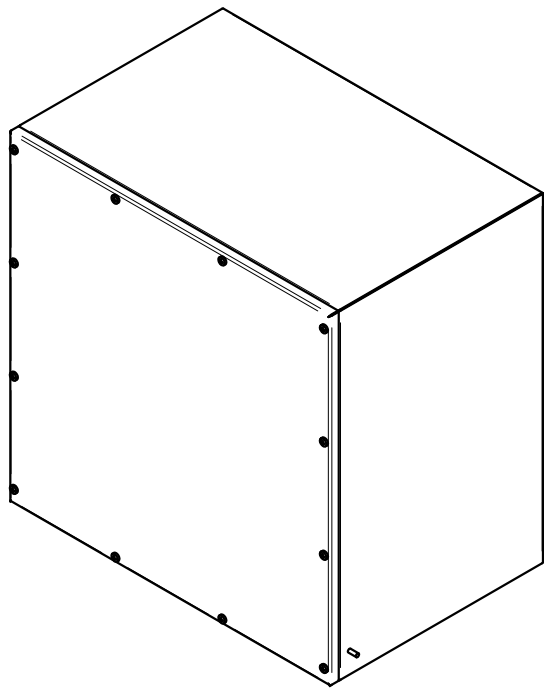
TOLERANCIA GENERAL DE MECANIZACION según DIN 7168					Referencia: MVEB000000/67	DIBUJADO:	FECHA: 23/01/2017	FIRMA: José Ignacio Osma	
						APROBADO:	23/01/2017	José Ignacio Osma	
	Creación del documento	23/01/2017	J.I. Osma	A	-	DESIGNACIÓN:			Nº PLANO:
	MODIFICACIONES	FECHA:	FIRMA:	REVISIÓN:	plegado: acabado:	Geo IP68 300x400x300 estandar			CB/67-00 a


This present document and its contents are confidential, and are the exclusive intellectual and / or industrial property of DELVALLE. In addition to any technology, design, invention, work, process, know-how, calculation, manual, method, solution, idea, improvement, drawing, diagram, modification, contribution and, in short, any associated information or documentation involving industrial or intellectual property developed or supplied by DELVALLE on the occasion of the quote, order execution or incorporated into the design or operation of the supply. The recipient may not use such property in his favour or in that of a third party for purposes other than the fulfilment of the order and the operation and maintenance of the supply, without the prior written consent of DELVALLE. It is strictly forbidden to totally or partially reproduce this document and to misuse it and / or to show it to third parties. The infringing parties shall be required to pay the corresponding compensation for damages, and any other legal or criminal responsibilities, the infringement may give rise to.



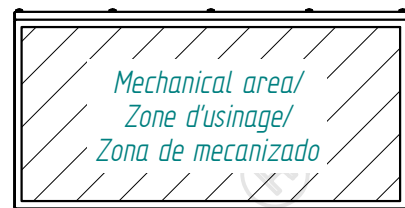
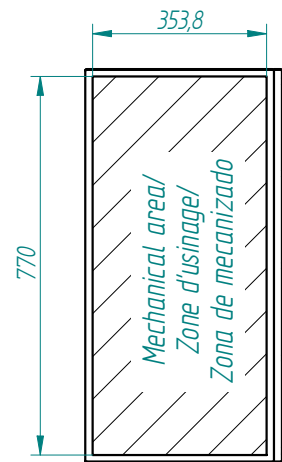
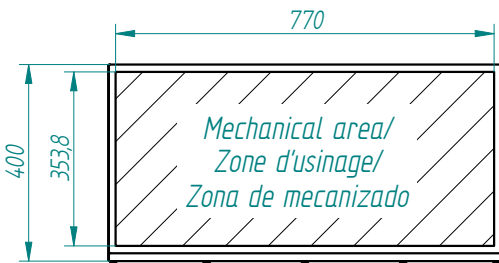
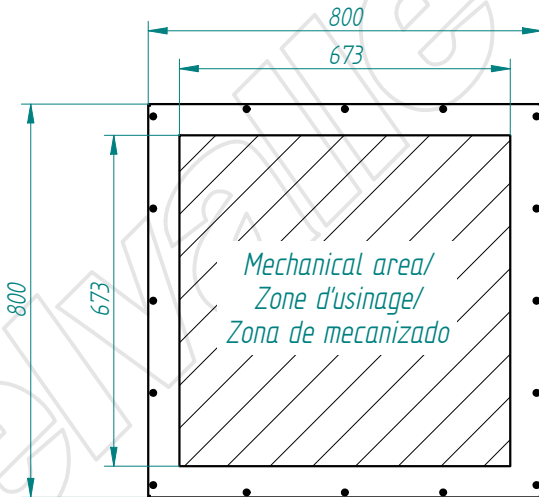
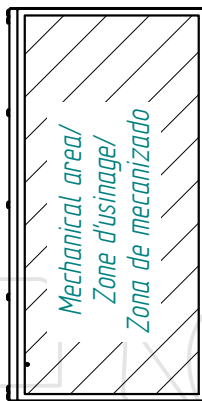
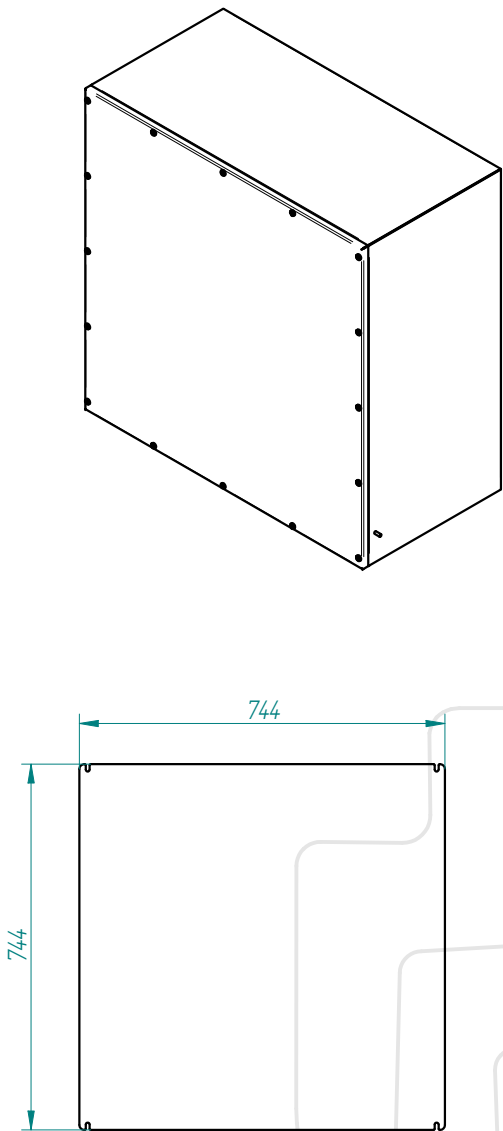
TOLERANCIA GENERAL DE MECANIZACION según DIN 7168					Referencia:		FECHA:	FIRMA:	
					MVEB000000/67		23/01/2017	José Ignacio Osma	
	Creación del documento	23/01/2017	J.I. Osma	A	-		23/01/2017	José Ignacio Osma	Nº PLANO:
	MODIFICACIONES	FECHA:	FIRMA:	REVISIÓN:	plegado: acabado:	DESIGNACIÓN: Geo IP68 400x400x300 estandar			CB/67-00 a


This present document and its contents are confidential, and are the exclusive intellectual and / or industrial property of DELVALLE. In addition to any technology, design, invention, work, process, know-how, calculation, manual, method, solution, idea, improvement, drawing, diagram, modification, contribution and, in short, any associated information or documentation involving industrial or intellectual property developed or supplied by DELVALLE on the occasion of the quote, order execution or incorporated into the design or operation of the supply. The recipient may not use such property in his favour or in that of a third party for purposes other than the fulfilment of the order and the operation and maintenance of the supply, without the prior written consent of DELVALLE. It is strictly forbidden to totally or partially reproduce this document and to misuse it or to show it to third parties. The infringing parties shall be required to pay the corresponding compensation for damages, and any other legal or criminal responsibility if the infringement may give rise to.



TOLERANCIA GENERAL DE MECANIZACION según DIN 7168					Referencia:		FECHA:	FIRMA:	
					MVEB000000/67		23/01/2017	José Ignacio Osma	
	Creación del documento	23/01/2017	J.I. OSma	A	-		23/01/2017	José Ignacio Osma	Nº PLANO:
	MODIFICACIONES	FECHA:	FIRMA:	REVISIÓN:	plegado: acabado:	DESIGNACIÓN: Geo IP68 600x600x400 estandar			CB/67-00 a

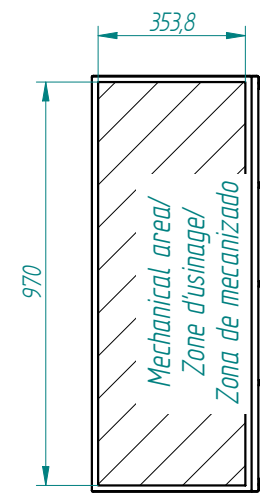
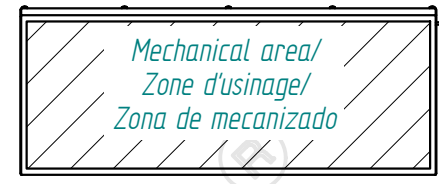
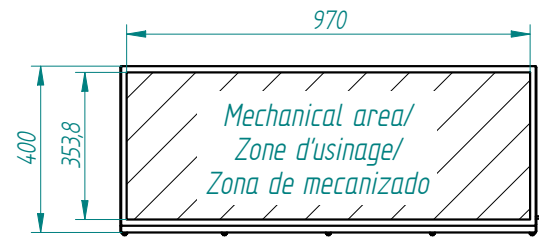
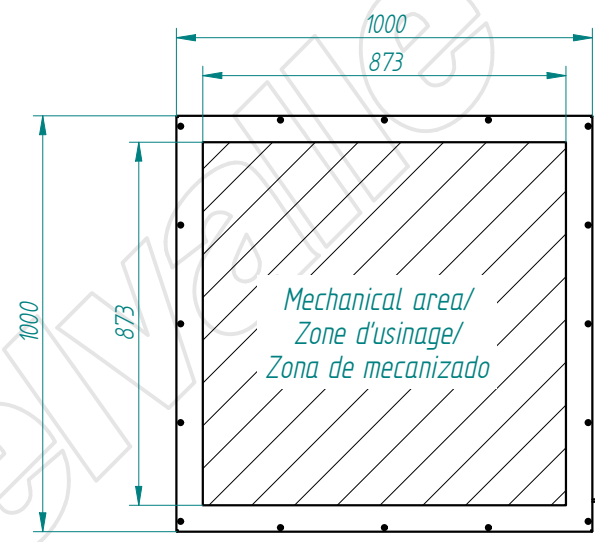
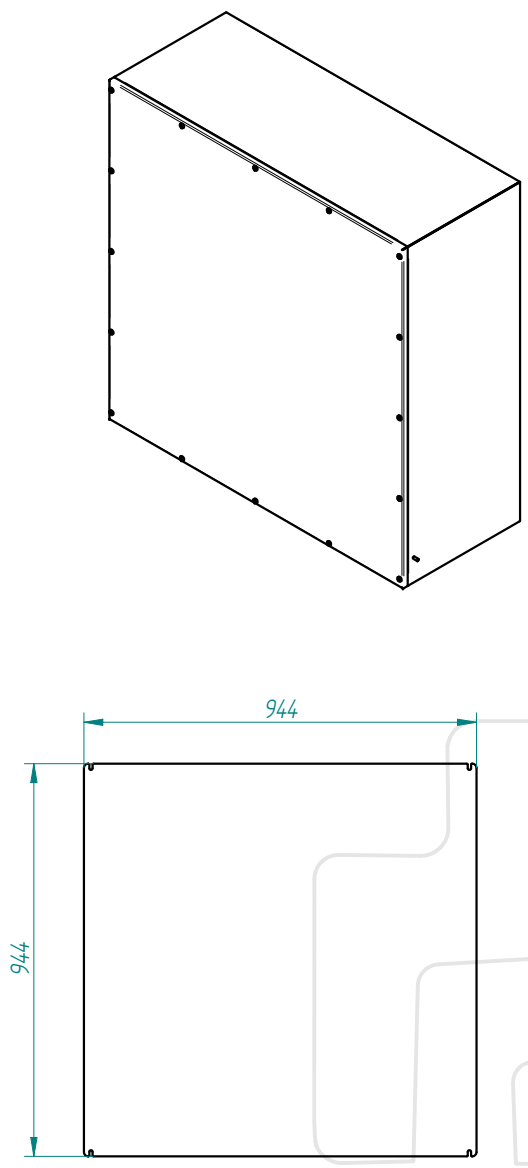
This present document and its contents are confidential, and are the exclusive intellectual and / or industrial property of DELVALLE. In addition to any technology, design, invention, work, process, know-how, calculation, manual, method, solution, idea, improvement, drawing, modification, contribution and, in short, any associated information or documentation involving industrial or intellectual property developed or supplied by DELVALLE on the occasion of the quote, order execution or incorporated into the design or operation of the supply. The recipient may not use such property in his favour or in that of a third party for purposes other than the fulfilment of the order and the operation and maintenance of the supply, without the prior written consent of DELVALLE. It is strictly forbidden to totally or partially reproduce this document and to misuse it and / or to show it to third parties. The infringing parties shall be required to pay the corresponding compensation for damages, and any other legal or criminal responsibility & the infringement may give rise to.




TOLERANCIA GENERAL DE MECANIZACION según DIN 7168	Creación del documento	23/01/2017	J.I. Osma	A	Referencia: MVEB000000/67	DIBUJADO: 23/01/2017	FECHA: 23/01/2017	FIRMA: José Ignacio Osma	
	MODIFICACIONES	FECHA:	FIRMA:	REVISIÓN:	plegado: acabado:	APROBADO: 23/01/2017	FECHA: 23/01/2017	FIRMA: José Ignacio Osma	
						DESIGNACIÓN: GEO-IP68-800x800x400-estandar	Nº PLANO: CB/67-00 a		



This present document and its contents are confidential, and are the exclusive intellectual and / or industrial property of DEVALLE. In addition to any technology, design, invention, work, process, know-how, calculation, manual, method, solution, idea, improvement, drawing, diagram, modification, contribution and, in short, any associated information or documentation involving industrial or intellectual property developed or supplied by DEVALLE on the occasion of the quote, order execution or incorporated into the design or operation of the supply. The recipient may not use such property in his favour or in that of a third party for purposes other than the fulfilment of the order and the operation and maintenance of the supply, without the prior written consent of DEVALLE. It is strictly forbidden to totally or partially reproduce this document and to misuse it and / or to show it to third parties. The infringing parties shall be required to pay the corresponding compensation for damages, and any other legal or criminal responsible for the infringement may give rise to.



TOLERANCIA GENERAL DE MECANIZACION según DIN 7168	Creación del documento	23/01/2017	J.I. Osma	A	Referencia: MVEB000000/67	DIBUJADO: 23/01/2017	FECHA: 23/01/2017	FIRMA: José Ignacio Osma	 Nº PLANO:
	MODIFICACIONES	FECHA:	FIRMA:	REVISIÓN:	- plegado: acabado:	DESIGNACIÓN: GEO-IP68-1000x1000x400-estandar	FECHA: 23/01/2017	FIRMA: José Ignacio Osma	