

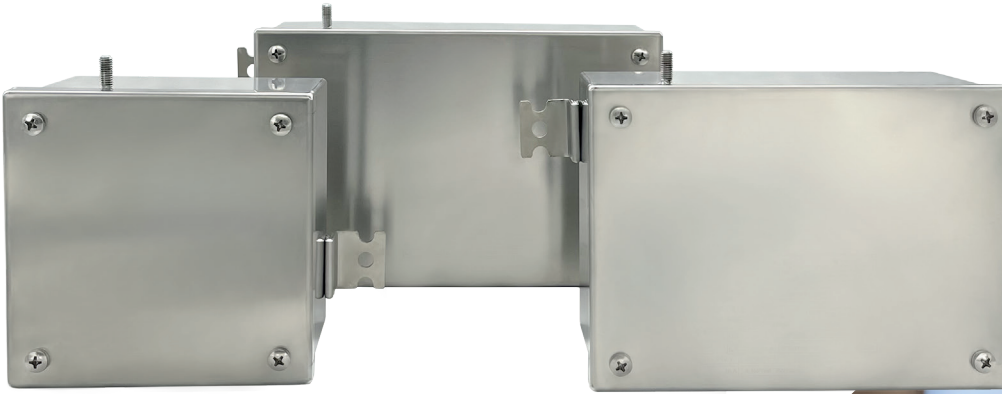


comercial@delvalle.es | www.delvallebox.com

PRE-INSTALLED JUNCTION BOX

Certified boxes – just ready to install

Anti-corrosion



STAINLESS
ANTICORROSIVE
GUARANTEE



MECHANICAL PARTS
GUARANTEE





WE PUT AT YOUR DISPOSAL

We offer over **45 years** providing solutions to demanding customers who require very specific characteristics and behaviour according to the sector and their needs.

WHEREVER YOU GO

We are committed to working closely with our customers, providing them with **exceptional service** and offering an advanced and extensive range of products with very competitive prices.

HIGH STANDARD OF QUALITY AND SERVICES

We only use materials provided by companies who offer the very **highest quality**, suitable and certified products. Our success is due to top quality assurance: ISO 9001, SGS, UL, TÜV, ISO 14000 and Ohsas 18001.

CUSTOMIZE TOTALLY YOUR ENCLOSURE

Our production systems can give custom-made solutions **on demand**. Every colour from RAL chart is available to be personalized. A variety of protection standards thanks to our own painting facilities.

CONTACT US

Confidentiality, reliability & quality

www.delvallebox.com
comercial@delvalle.es
 +34 945 601 381

ALSO ONLINE

Please contact our technical sales department

A team of professionals with high experience and ability to solve all your queries



STOCK STAINLESS STEEL JUNCTION BOX

Certified and ready for installation

Anti-corrosion



Examples



STOCK

The junction boxes terminals are pre-assembled with terminals and cable glands; standardized, certified and ready for installation.

Its characteristic design makes it, a sturdy, anti-corrosion, IP66 waterproof with preassembled terminals and four stopping plug M20.

We deliver the terminal box with terminals installed on numbered DIN rail, with their glands mounted (material to be chosen) and final certified, ready for placement and in stock for delivery so you do not have to worry about anything.

➔ [FOR MORE INFORMATION CLICK HERE](#)



STOCK

TECHNICAL CHARACTERISTICS

Pre-assembled boxes made of stainless steel AISI 304L, robust and anticorrosive, represent our most solvent bet due to its functionality, design and sealing to incorporate all types of terminals.

Incorporated in the inside 8, 15 or 20 screw terminals (2,5 mm²) mounted on DIN rail.

Certified CE.

Installed terminals from Weidmüller brand.

Access to the inside is facilitated thanks to the fastening of the cover with easy-to-install screws.

Subject to the stringent tests prescribed in IEC 60079-7 in the premises of a Notified Body.

External grounding of metric M6.

Thickness 1.2mm (depending on boxes).

ADVANTAGES

- In stock, delivery time next day.
- Save time and cost savings.
- The access to the interior is facilitated thanks to the fixing of the cover with screws of easy placement.
- Marine water resistant (AISI 316L).
- Strength, durability and long life.
- The manufacture of the stainless steel monobloc allows sealing and ensures maximum resistance.

NORMATIVE

- IP55 or IP66 (W) Norm EN 62208 / EN 60529.
- DIN EN ISO 14159 Machine safety – hygiene requirements pertaining to the design of machinery.
- Machinery Directive 2006/42/EC. Food machinery and cosmetic or pharmaceutical production.
- EHEDG Guideline Hygienic Design doc.13 machinery for open processes.
- DIN EN 1672-2-2005 for food industry machinery.
- Maximum IK10 resistance Norm IEC 62208 and EN 50102.
- Manufactured following EU low voltage ruling 2014/35/UE.
- RoHS Directive 2011/65/UE compliant.
- UL approval Nema 4x, 12, 3r, 1. N° File E342220.
- Maximum voltage 1000V.
- Temperature resistant: -40°C +100°C (short time +160°C).
- Option silicone gasket: from -60°C to +180°C (short time up to +350°C)



STOCK

Deliveries Next Day

STAINLESS STEEL JUNCTION BOX

GEO SERIE IP66

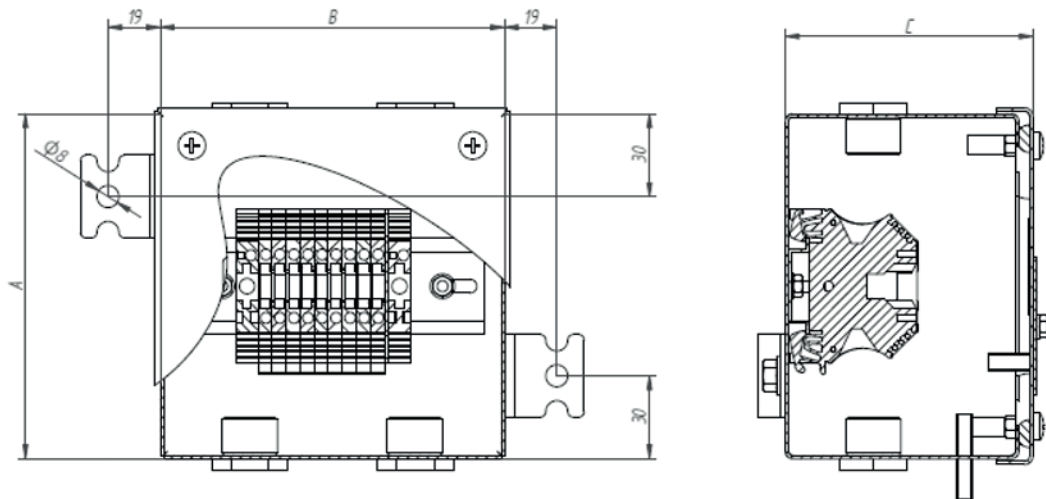
STOCK

➔ [CLICK HERE TO DOWNLOAD THE FILES CAD - PLANS - CERTIFICATES](#)



Examples

DRAWINGS



10
YEARS

STAINLESS
ANTICORROSIVE
GUARANTEE

5
YEARS

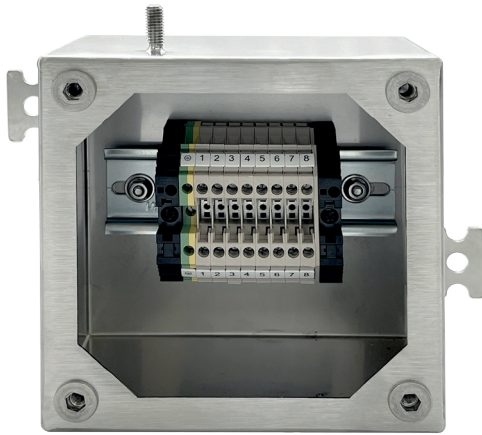
MECHANICAL PARTS
GUARANTEE

REFERENCES

| REFERENCES | DIMENSIONS (mm) | | | | | HOLES | |
|---------------|-----------------|----------------|----------------|-----------------|---------------------|---------------|---------|
| | MEASURES (mm) | | | N° OF TERMINALS | | STOPPING PLUG | |
| | HEIGHT - A - | WIDTH - B - | DEPTH - C - | TERMINALS | GROUND TERMINALS | AMOUNT | METRICS |
| MVCB12I290002 | 125 | 125 | 90 | 8 | 1 | 4 | M20 |

PRE-INSTALLED JUNCTION BOX IN STAINLESS STEEL

GEO SERIE IP66



Examples



Just ready to install

The junction boxes are pre-assembled with terminals and cable glands; standardized, certified and ready for installation.

Its characteristic design makes it, a sturdy, anti-corrosion, IP66 waterproof with preassembled terminals and cable glands or plugs to choose from in stainless steel, nickel plated brass or plastic.

We deliver the terminal box with terminals installed on numbered DIN rail, with their glands mounted (material to be chosen) and final certified, ready for placement and in stock for delivery so you do not have to worry about anything

➔ [FOR MORE INFORMATION CLICK HERE](#)



PRE-INSTALLED JUNCTION BOX IN STAINLESS STEEL

GEO SERIE IP66

TECHNICAL CHARACTERISTICS

Pre-assembled boxes made of stainless steel AISI 304L, robust and anticorrosive, represent our most solvent bet due to its functionality, design and sealing to incorporate all types of terminals.

Incorporated in the inside 8, 15 or 20 screw terminals (2,5 mm²) mounted on DIN rail.

Certified CE.

Installed terminals from Weidmüller brand.

Access to the inside is facilitated thanks to the fastening of the cover with easy-to-install screws.

Subject to the stringent tests prescribed in IEC 60079-7 in the premises of a Notified Body.

External grounding of metric M6.

Thickness 1.2mm (depending on boxes).

ADVANTAGES

- Unbeatable delivery time.
- Save time and cost savings.
- The access to the interior is facilitated thanks to the fixing of the cover with screws of easy placement.
- Marine water resistant (AISI 316L).
- Strength, durability and long life.
- The manufacture of the stainless steel monobloc allows sealing and ensures maximum resistance.

NORMATIVE

- IP55 or IP66 (W) Norm EN 62208 / EN 60529.
- DIN EN ISO 14159 Machine safety – hygiene requirements pertaining to the design of machinery.
- Machinery Directive 2006/42/EC. Food machinery and cosmetic or pharmaceutical production.
- EHEDG Guideline Hygienic Design doc. I 3 machinery for open processes.
- DIN EN 1672-2-2005 for food industry machinery.
- Maximum IK10 resistance Norm IEC 62208 and EN 50102.
- Manufactured following EU low voltage ruling 2014/35/UE.
- RoHS Directive 2011/65/UE compliant.
- UL approval Nema 4x, 12, 3r, I. N° File E342220.
- Maximum voltage 1000V.
- Temperature resistant: -40°C +100°C (short time +160°C).
- Option silicone gasket: from -60°C to +180°C (short time up to +350°C)

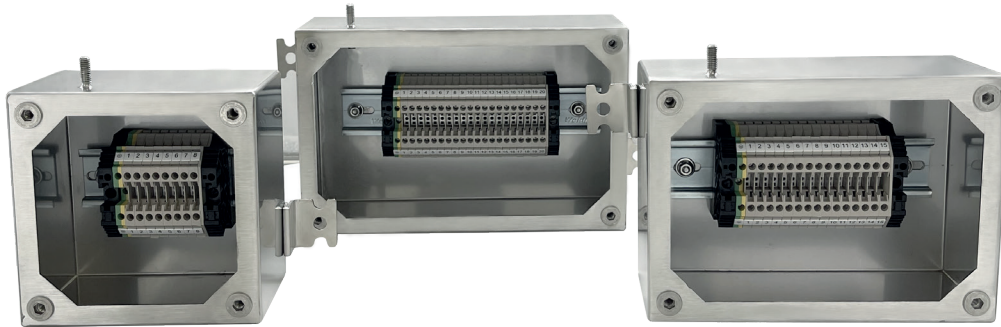
OPTIONS

- Possibility to choose the material of stuffing box: stainless steel, brass, polyester, etc. As well as the type of cable: armed or unarmed or plugs.
- Options of 8, 15, 20 terminals.

PRE-INSTALLED JUNCTION BOX IN STAINLESS STEEL

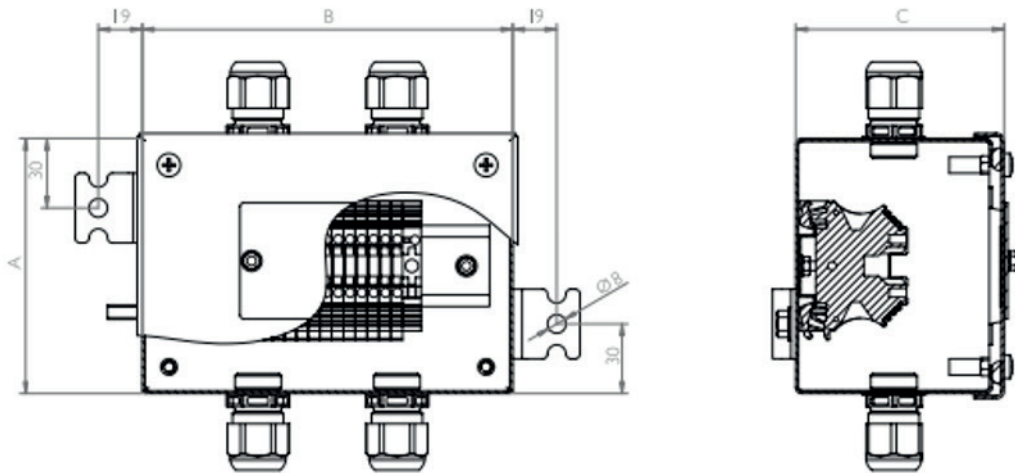
GEO SERIE IP66

[CLICK HERE TO DOWNLOAD
THE FILES CAD - PLANS - CERTIFICATES](#)



Examples

DRAWING



10
YEARS

STAINLESS
ANTICORROSIVE
GUARANTEE

5
YEARS

MECHANICAL PARTS
GUARANTEE

REFERENCES

| REFERENCES | DIMENSIONS (mm) | | | | |
|---------------|-----------------|----------------|----------------|---------------|---------------------|
| | MEASURES (mm) | | | MEASURES (mm) | |
| | HEIGHT - A - | WIDTH - B - | DEPTH - C - | TERMINALS | GROUND TERMINALS |
| MVCB121290001 | 125 | 125 | 90 | 8 | 1 |
| MVCB131890001 | 180 | 130 | 90 | 15 | 1 |
| MVCB142290001 | 220 | 140 | 90 | 20 | 1 |



Consult us without obligation

Confidentiality, reliability & quality

DELVALLE OFFERS CUSTOMIZED SOLUTIONS

www.delvallebox.com
comercial@delvalle.es
+34 945 601 381

→ FOR MORE INFORMATION CLICK HERE

ALSO ONLINE

STAINLESS STEEL INDUSTRIAL ENCLOSURES



OUTDOOR HEAVY DUTY ELECTRICAL ENCLOSURES



OUTDOOR TELECOM 19 RACKS & CABINETS



GALVANIZED STEEL ELECTRICAL ENCLOSURES



HYGIENIC DESIGN ENCLOSURES



ALUMINIUM ELECTRICAL ENCLOSURES





Consult us without obligation

Confidentiality, reliability & quality

DELVALLE OFFERS CUSTOMIZED SOLUTIONS

www.delvallebox.com
comercial@delvalle.es
+34 945 601 381

→ FOR MORE INFORMATION CLICK HERE

ALSO ONLINE

WATERPROOF SHEET STEEL ELECTRICAL ENCLOSURES



CLIMATE CONTROL COOLING FOR ELECTRICAL ENCLOSURES



NEMA ELECTRICAL ENCLOSURE TYPE 1-3R-4X-12



MODULAR DISTRIBUTION ENCLOSURES



EMC ELECTRICAL ENCLOSURES SOLUTIONS



CABLE GLANDS & ENTRY SEALS FOR CABINETS





Paso del Prao, 6. 01320 Oyón (Álava). Spain

T. +34 945 601 381

comercial@delvalle.es | www.delvallebox.com

Contact us, we will be available at any time

