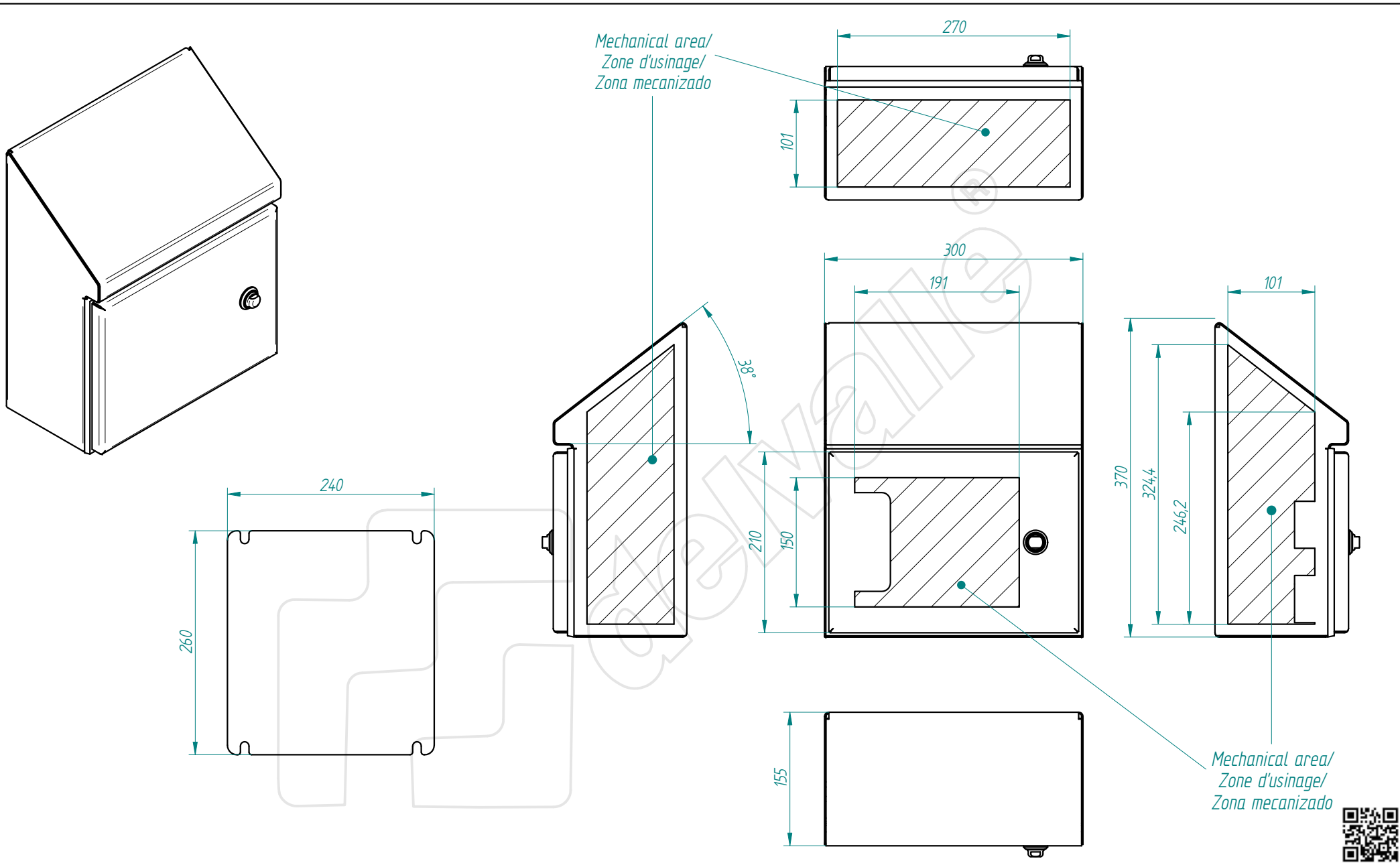



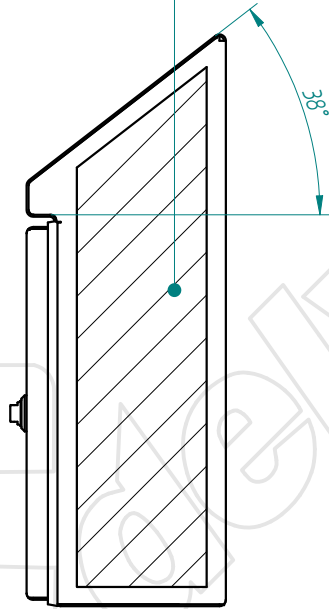
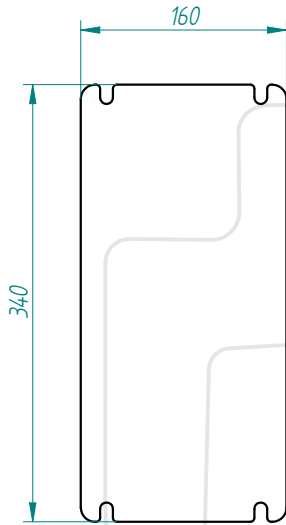
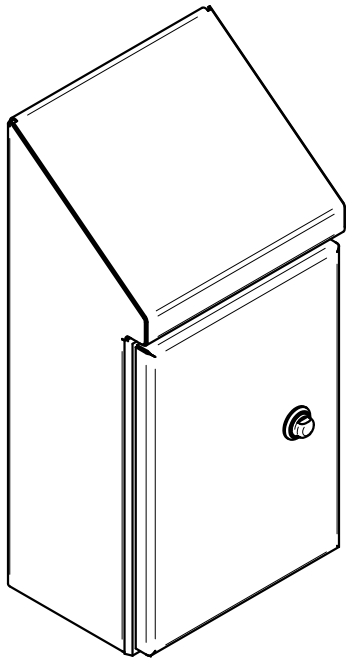
This present document and its contents are confidential, and are the exclusive intellectual and / or industrial property of DELVALLE. In addition to any technology, design, invention, work, process, know-how, calculation, manual, method, solution, idea, improvement, drawing, diagram, modification, contribution and, in short, any associated information involving industrial or intellectual property developed or supplied by DELVALLE on the occasion of the quote, order execution or incorporated into the design or operation of the supply. The recipient may not use such property in his favour or in that of a third party for purposes other than the fulfilment of the order and the operation and maintenance of the supply, without the prior written consent of DELVALLE. It is strictly forbidden to totally or partially reproduce this document and to misuse it and / or to show it to third parties. The infringing parties shall be required to pay the corresponding compensation for damages, and any other legal or criminal responsibility is the infringement may give rise to.



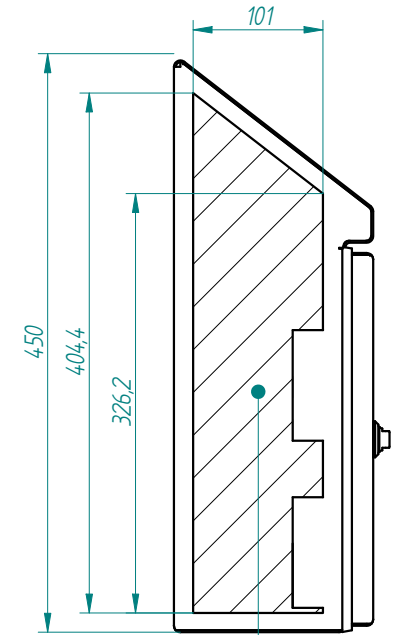
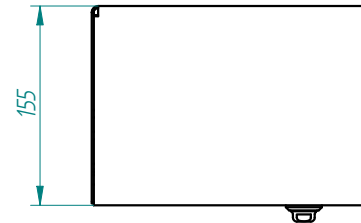
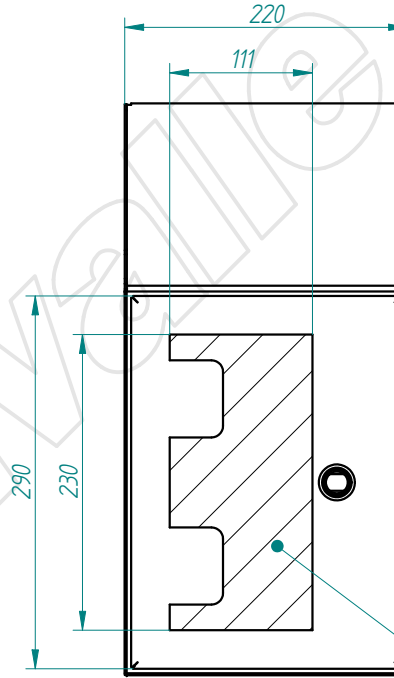
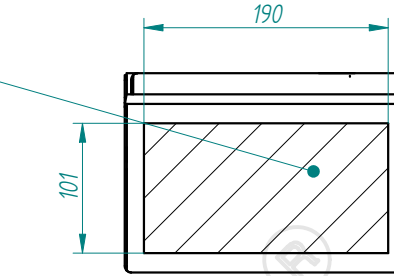
TOLERANCIA GENERAL DE MECANIZACION segun DIN 7168					Referencia:		FECHA: 29/05/2015	FIRMA: D.Martinez	 Nº PLANO:
	Creación del documento	29/05/2015	D.MTNEZ	A	- plegado: acabado:	DIBUJADO: 29/05/2015	29/05/2015	D.Martinez	
	MODIFICACIONES	FECHA:	FIRMA:	REVISIÓN:		DESIGNACIÓN: luxor higienic-370x300x155-estandar			



This present document and its contents are confidential, and are the exclusive intellectual and / or industrial property of DEVALLE. In addition to any technology, design, invention, work, process, know-how, calculation, manual, method, solution, idea, improvement, drawing, diagram, modification, contribution and, in short, any associated information or documentation involving industrial or intellectual property developed or supplied by DEVALLE on the occasion of the quote, order execution or incorporated into the design or operation of the supply. The recipient may not use such property in his favour or in that of a third party for purposes other than the fulfilment of the order and the operation and maintenance of the supply, without the prior written consent of DEVALLE. It is strictly forbidden to totally or partially reproduce this document and to misuse it and / or to show it to third parties. The infringing parties shall be required to pay the corresponding compensation for damages and any other legal or criminal responsibility. The infringement may give rise to.




Mechanical area/
Zone d'usinage/
Zona mecanizado

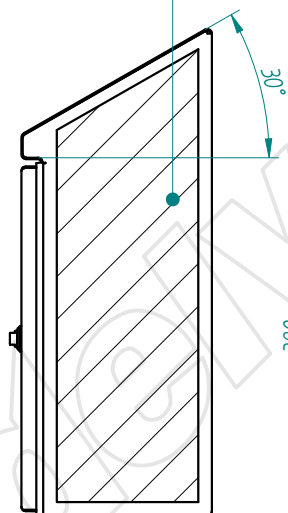
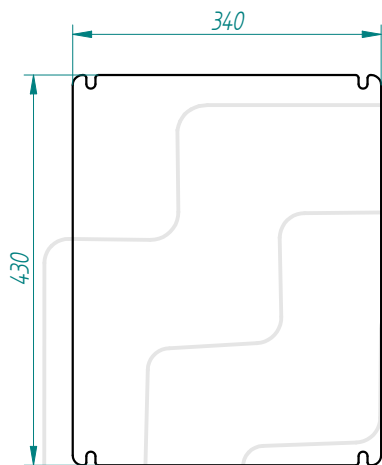
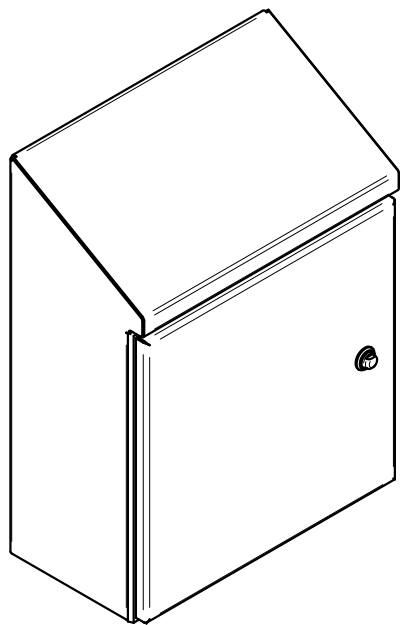


Mechanical area/
Zone d'usinage/
Zona mecanizado

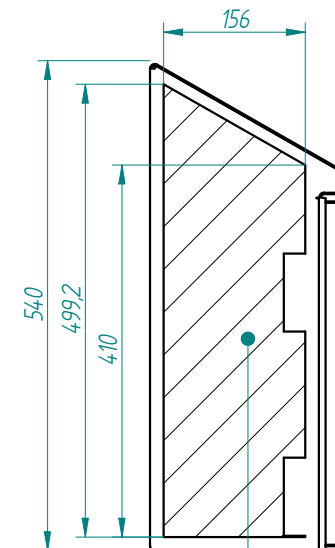
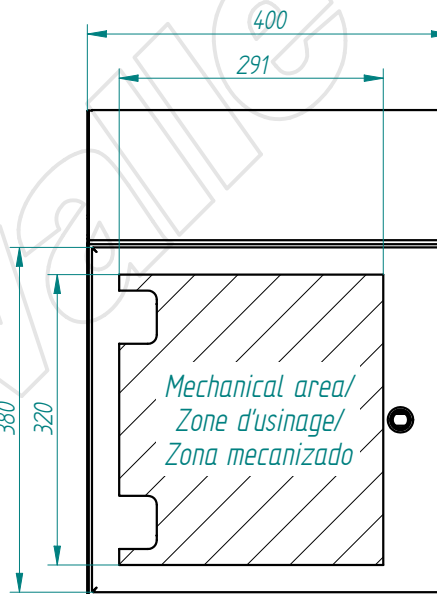
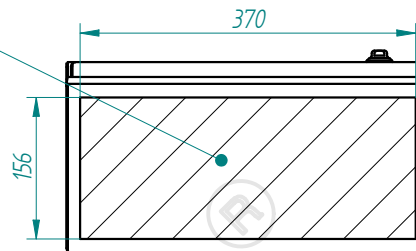


TOLERANCIA GENERAL DE MECANIZACION segun DIN 7168	Creación del documento	28/05/2015	D.MTNEZ	A	Referencia: - plegado: acabado.	DIBUJADO:	28/05/2015	FIRMA: D.Martinez	 N° PLANO:
	MODIFICACIONES	FECHA:	FIRMA:	REVISIÓN:		APROBADO:	28/05/2015	D.Martinez	
						DESIGNACIÓN: luxor hygienic-450x220x155-estandar			

This present document and its contents are confidential, and are the exclusive intellectual and / or industrial property of DELVALLE. In addition to any technology, design, invention, work, process, know-how, calculation, manual, method, solution, idea, improvement, drawing, modification, contribution and, in short, any associated information or documentation involving industrial or intellectual property developed or supplied by DELVALLE on the occasion of the quote, order execution or incorporated into the design or operation of the supply. The recipient may not use such property in his favour or in that of a third party for purposes other than the fulfilment of the order and the operation and maintenance of the supply, without the prior written consent of DELVALLE. It is strictly forbidden to totally or partially reproduce this document and to misuse it and / or to show it to third parties. The infringing parties shall be required to pay the corresponding compensation for damages, and any other legal or criminal responsibility is the infringer's sole responsibility.




Mechanical area/
Zone d'usinage/
Zona mecanizado

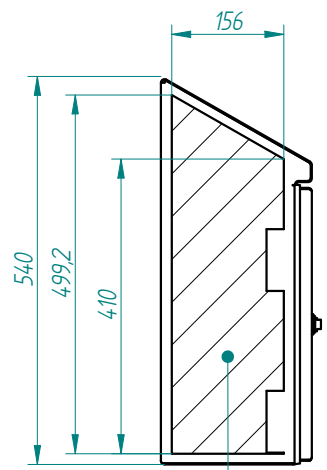
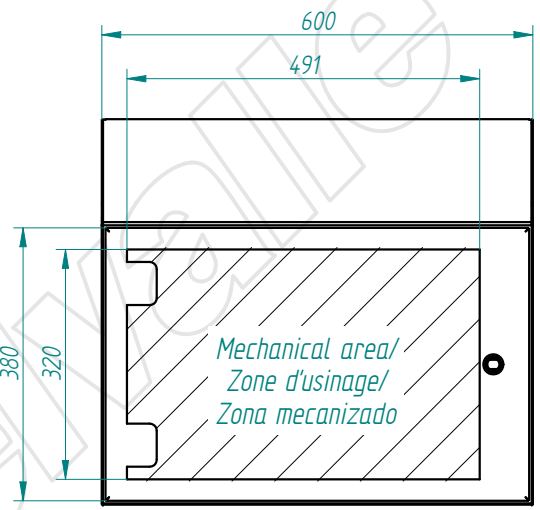
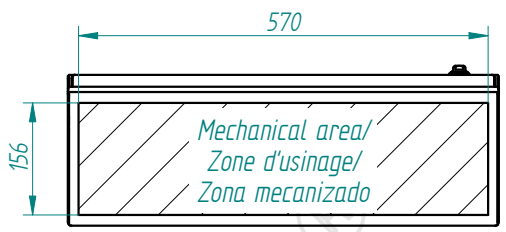
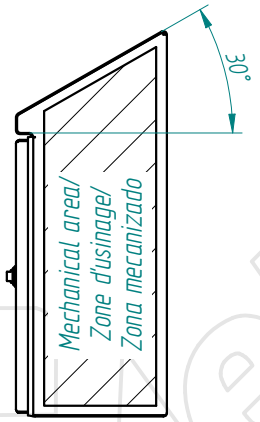
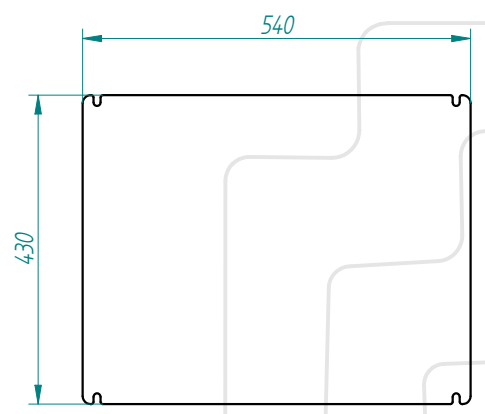
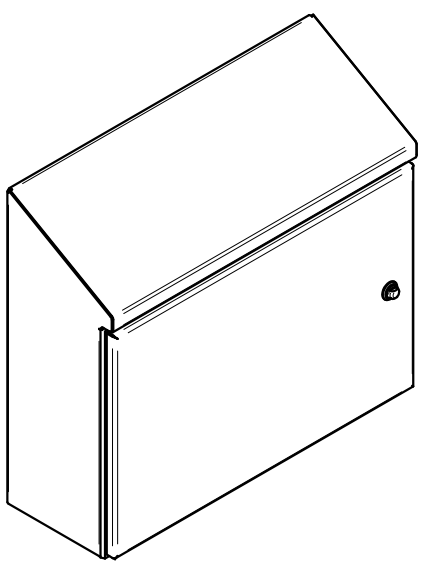


Mechanical area/
Zone d'usinage/
Zona mecanizado



TOLERANCIA GENERAL DE MECANIZACION segun DIN 7168					Referencia:		FECHA: 29/05/2015	FIRMA: D.Martinez	
							29/05/2015	D.Martinez	
	Creación del documento	29/05/2015	D.MTNEZ	A	-	DESIGNACIÓN:	Nº PLANO:		
MODIFICACIONES	FECHA:	FIRMA:	REVISIÓN:	plegado: acabado:	luxor higienic-540x400x210-estandar				

This present document and its contents are confidential, and are the exclusive intellectual and / or industrial property of DELVALLE. In addition to any technology, design, invention, work, process, know-how, calculation, manual, method, solution, idea, improvement, drawing, diagram, modification, contribution and, in short, any associated information or documentation involving industrial or intellectual property developed or supplied by DELVALLE on the occasion of the quote, order execution or incorporated into the design or operation of the supply. The recipient may not use such property in his favour or in that of a third party for purposes other than the fulfilment of the order and the operation and maintenance of the supply, without the prior written consent of DELVALLE. It is strictly forbidden to totally or partially reproduce this document and to misuse it and / or to show it to third parties. The infringing parties shall be required to pay the corresponding compensation for damages, and any other legal or criminal responsibilities, the infringement may give rise to.



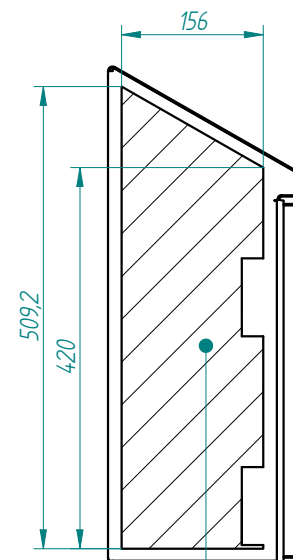
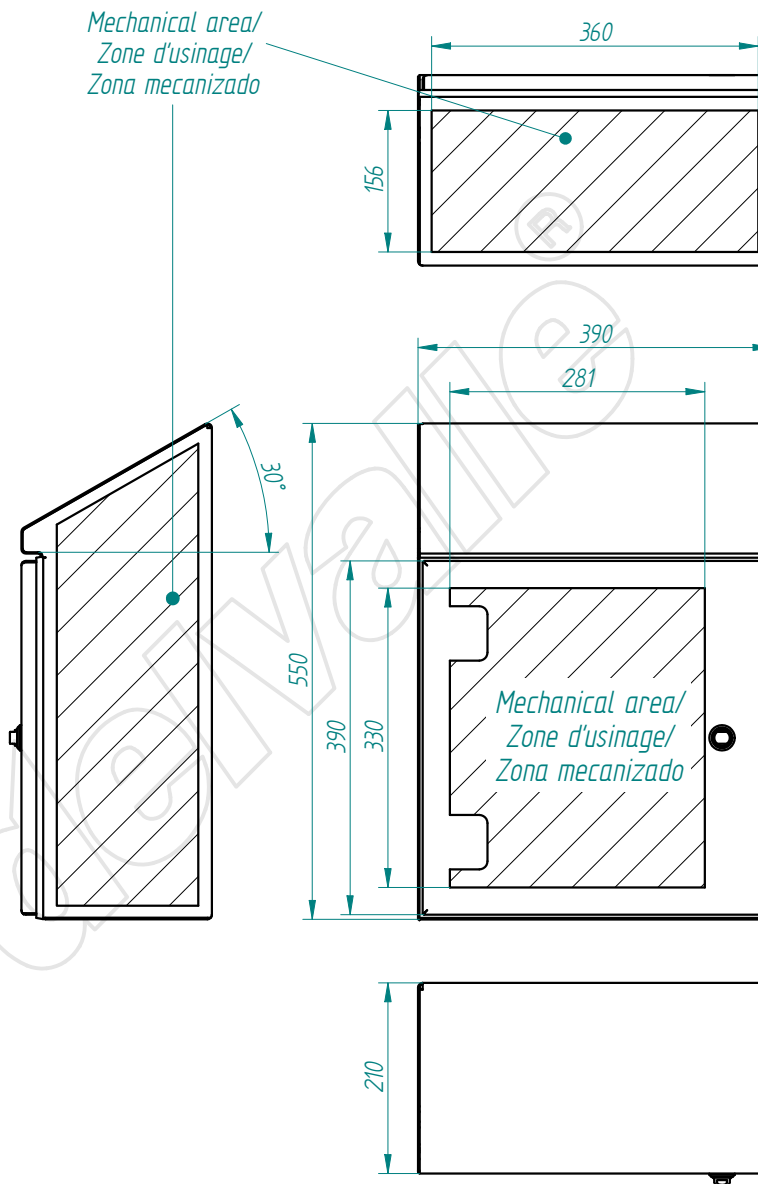
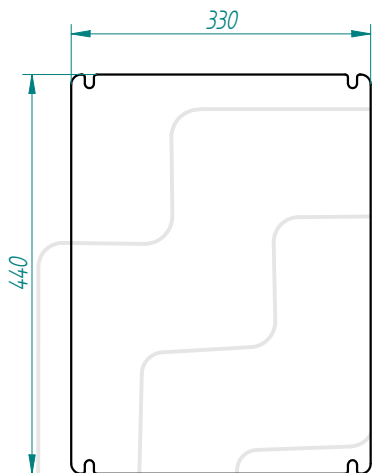
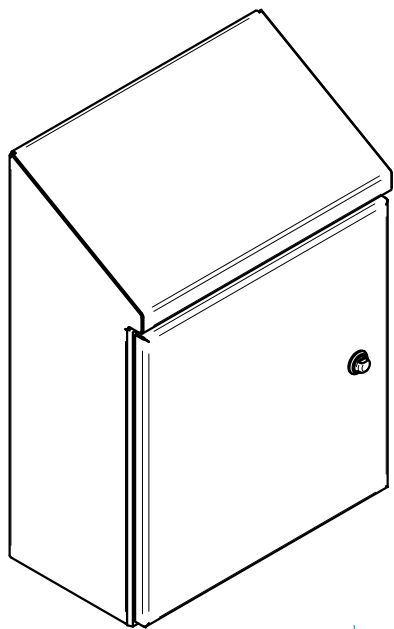
Mechanical area/
Zone d'usinage/
Zona mecanizado




TOLERANCIA GENERAL DE MECANIZACION segun DIN 7168					Referencia:		FECHA: 29/05/2015	FIRMA: D.Martinez
							29/05/2015	D.Martinez
	Creación del documento	29/05/2015	D.MTNEZ	A	-	DESIGNACIÓN:	Nº PLANO:	
	MODIFICACIONES	FECHA:	FIRMA:	REVISIÓN:	plegado: acabado:	luxor higienic-540x600x210-estandar		

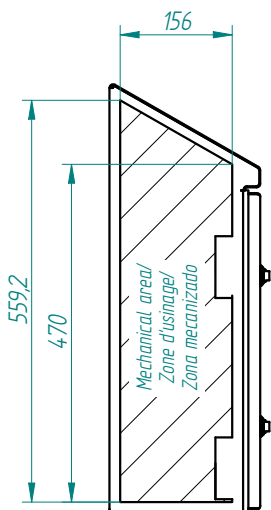
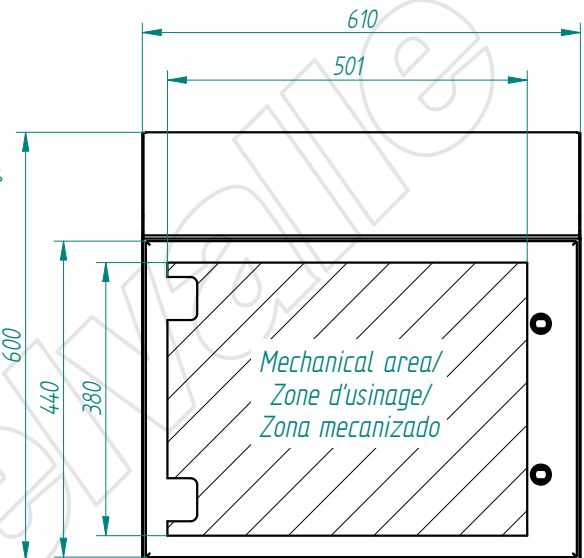
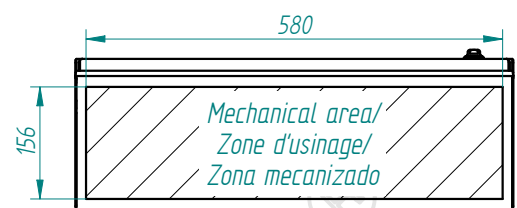
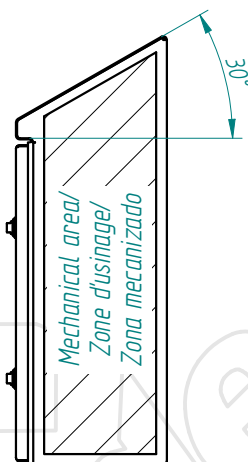
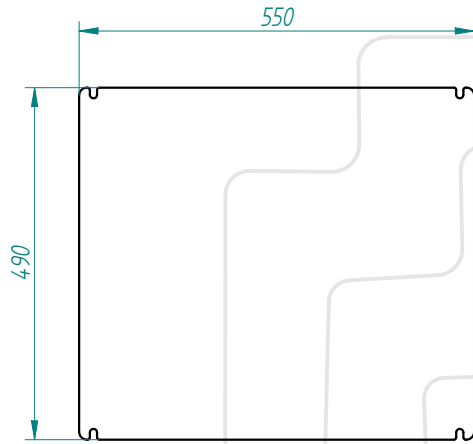
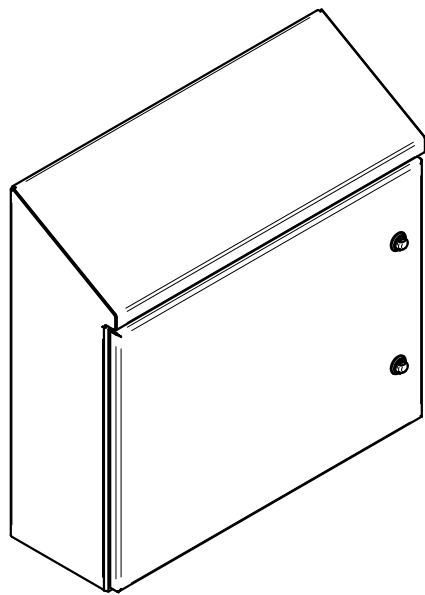


This present document and its contents are confidential, and are the exclusive intellectual and / or industrial property of DELVALLE. In addition to any technology, design, invention, work, process, know-how, calculation, manual, method, solution, idea, improvement, drawing, diagram, modification, contribution and, in short, any associated information or documentation involving industrial or intellectual property developed or supplied by DELVALLE on the occasion of the quote, order execution or incorporated into the design or operation of the supply. The recipient may not use such property in his favour or in that of a third party for purposes other than the fulfilment of the order and the operation and maintenance of the supply, without the prior written consent of DELVALLE. It is strictly forbidden to totally or partially reproduce this document and to misuse it and / or to show it to third parties. The infringing parties shall be required to pay the corresponding compensation for damages, and any other legal or criminal responsibility is the infringer's sole responsibility.



TOLERANCIA GENERAL DE MECANIZACION según DIN 7168					Referencia:		FECHA:	FIRMA:	
						DIBUJADO:	28/05/2015	D.Martínez	
						APROBADO:	28/05/2015	D.Martínez	
	Creación del documento	28/05/2015	D.MTNEZ	A	-	DESIGNACIÓN:			Nº PLANO:
	MODIFICACIONES	FECHA:	FIRMA:	REVISIÓN:	plegado: acabado:	luxor hygienic-550x390x210-estandar			

This present document and its contents are confidential, and are the exclusive intellectual and / or industrial property of DELVALLE. In addition to any technology, design, invention, work, process, know-how, calculation, manual, method, solution, idea, improvement, drawing, diagram, modification, contribution and, in short, any associated information or documentation involving industrial or intellectual property developed or supplied by DELVALLE on the occasion of the quote, order execution or incorporated into the design or operation of the supply. The recipient may not use such property in his favour or in that of a third party for purposes other than the fulfilment of the order and the operation and maintenance of the supply, without the prior written consent of DELVALLE. It is strictly forbidden to totally or partially reproduce this document and to misuse it and / or to show it to third parties. The infringing parties shall be required to pay the corresponding compensation for damages, and any other legal or criminal responsibility is the infringement may give rise to.



TOLERANCIA GENERAL DE MECANIZACION segun DIN 7168

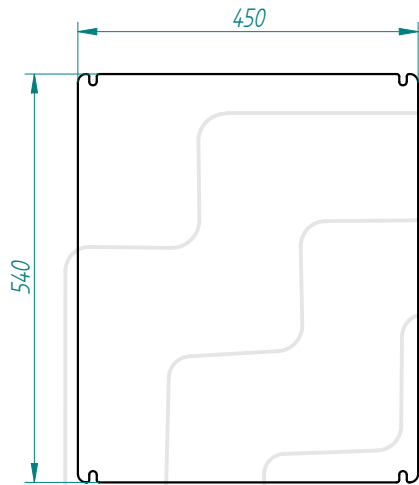
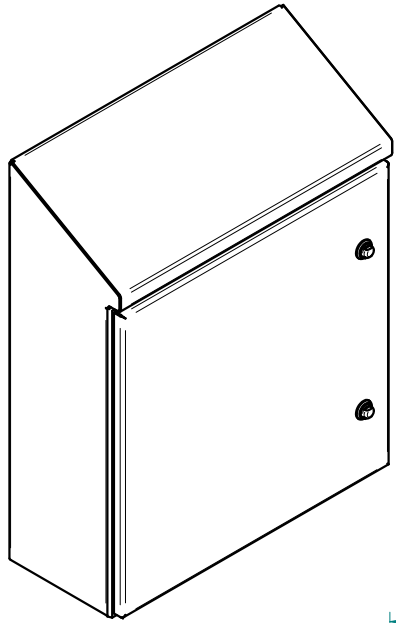
Creación del documento	28/05/2015	D.MTNEZ	A
MODIFICACIONES	FECHA:	FIRMA:	REVISIÓN:

Referencia:

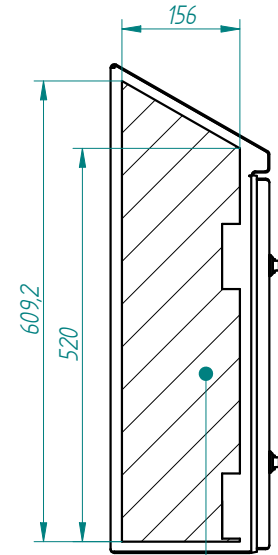
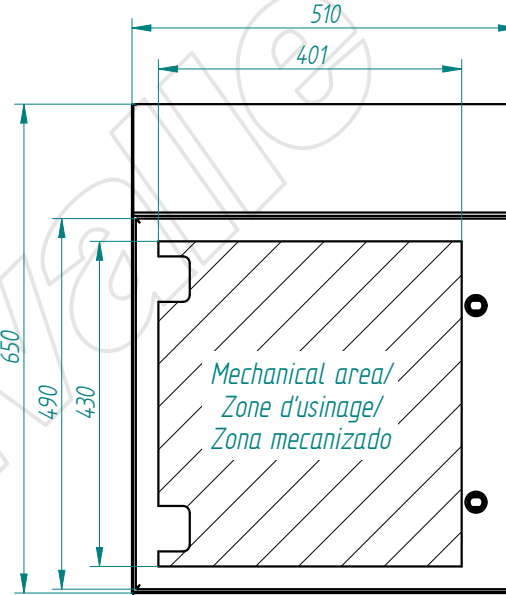
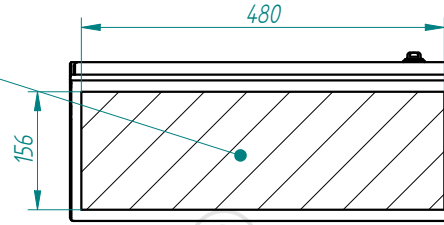
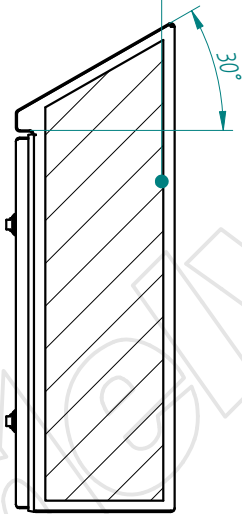
DIBUJADO:	FECHA:	FIRMA:
APROBADO:	28/05/2015	D.Martinez
DESIGNACIÓN:		Nº PLANO:
luxor hygienic-600x610x210-estandar		



This present document and its contents are confidential, and are the exclusive intellectual and / or industrial property of DELVALLE ., in addition to any technology, design, invention, work, process, know-how, calculation, manual, method, solution, idea, improvement, drawing, diagram, modification, contribution and, in short, any associated information or documentation involving industrial or intellectual property developed or supplied by DELVALLE on the occasion of the quote, order execution or incorporated into the design or operation of the supply. The recipient may not use such property in his favour or in that of a third party for purposes other than the fulfilment of the order and the operation and maintenance of the supply, without the prior written consent of DELVALLE. It is strictly forbidden to totally or partially reproduce this document and to misuse it and / or to show it to third parties. The infringing parties shall be required to pay the corresponding compensation for damages, and any other legal or criminal responsibility is the infringer's sole responsibility.



Mechanical area/
Zone d'usinage/
Zona mecanizado



Mechanical area/
Zone d'usinage/
Zona mecanizado



TOLERANCIA GENERAL
DE MECANIZACION
segun DIN 7168

Creación del documento	28/05/2015	D.MTNEZ	A
MODIFICACIONES	FECHA:	FIRMA:	REVISIÓN:

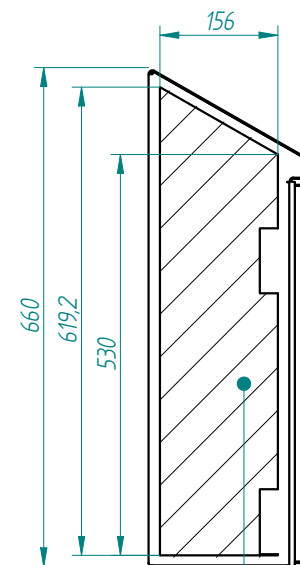
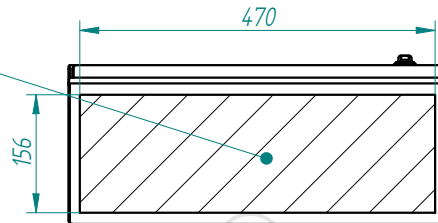
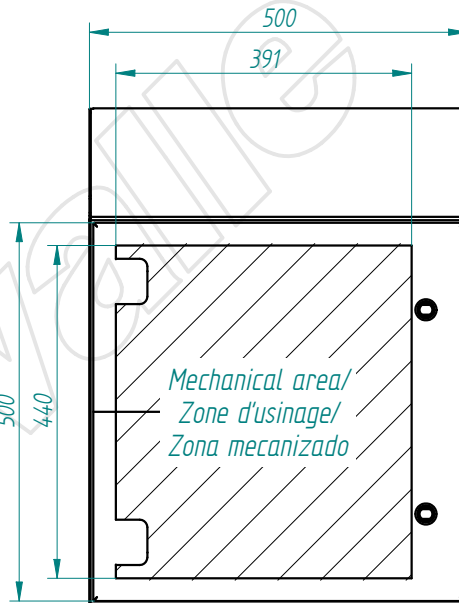
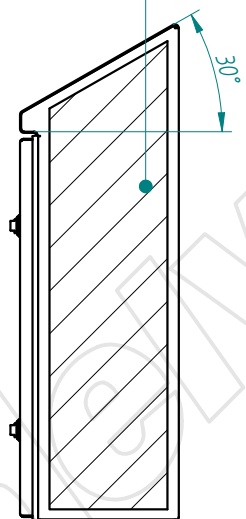
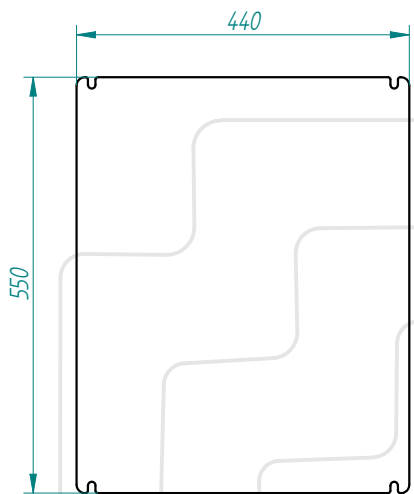
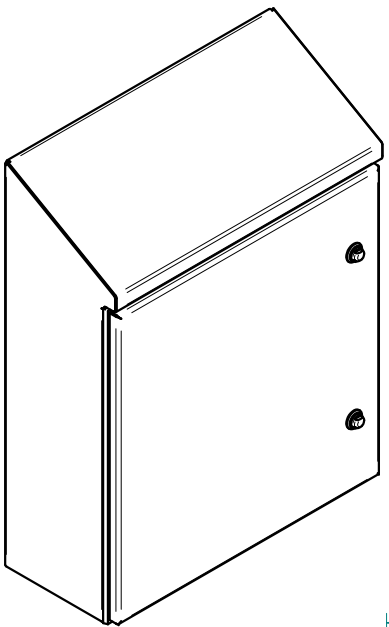
Referencia:

DIBUJADO:	FECHA:	FIRMA:
APROBADO:	28/05/2015	D.Martinez
DESIGNACIÓN:		
luxor hygienic-650x510x210-estandar		

	Nº PLANO:



This present document and its contents are confidential, and are the exclusive intellectual and / or industrial property of DELVALLE. In addition to any technology, design, invention, work, process, know-how, calculation, manual, method, solution, idea, improvement, drawing, modification, contribution and, in short, any associated information or documentation involving industrial or intellectual property developed or supplied by DELVALLE on the occasion of the quote, order execution or incorporated into the design or operation of the supply. The recipient may not use such property in his favour or in that of a third party for purposes other than the fulfilment of the order and the operation and maintenance of the supply, without the prior written consent of DELVALLE. It is strictly forbidden to totally or partially reproduce this document and to misuse it and / or to show it to third parties. The infringing parties shall be required to pay the corresponding compensation for damages, and any other legal or criminal responsibility is the infringement may give rise to.



Mechanical area/
Zone d'usage/
Zona mecanizado

Mechanical area/
Zone d'usage/
Zona mecanizado

Mechanical area/
Zone d'usage/
Zona mecanizado

TOLERANCIA GENERAL
DE MECANIZACION
segun DIN 7168

Creación del documento	29/05/2015	D.MTNEZ	A
MODIFICACIONES	FECHA:	FIRMA:	REVISIÓN:

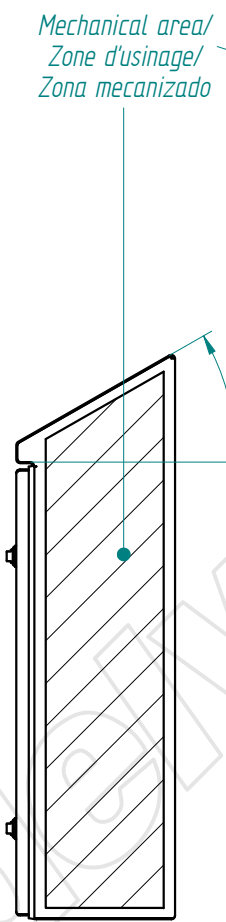
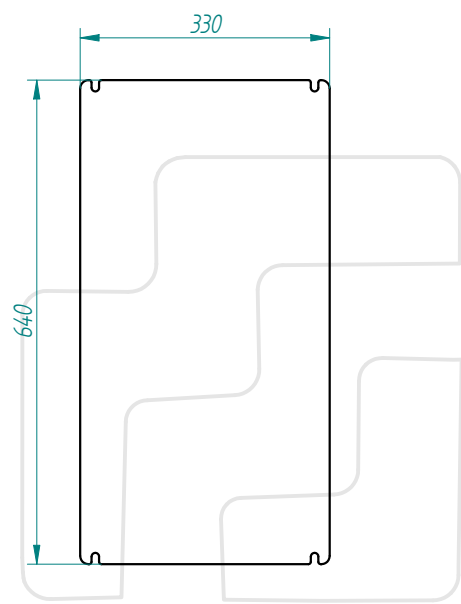
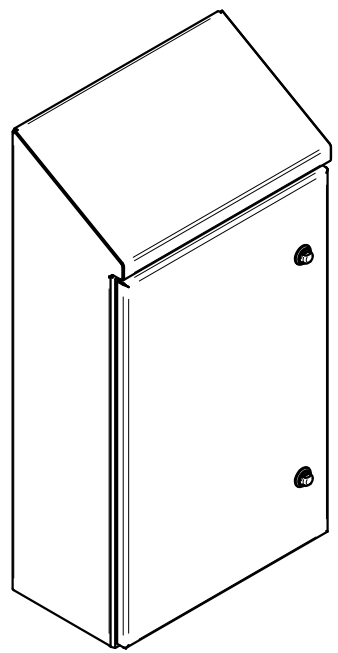
Referencia:

DIBUJADO:	FECHA:	FIRMA:
APROBADO:	29/05/2015	D.Martinez
DESIGNACIÓN:		
luxor hygienic-660x500x210-estandar		

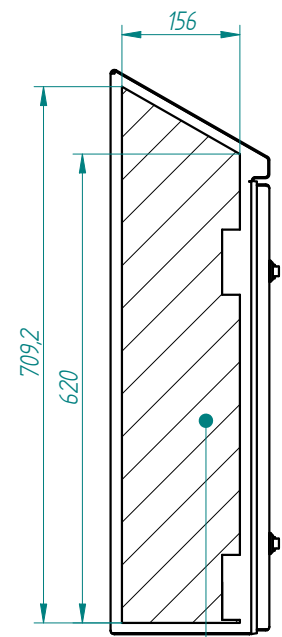
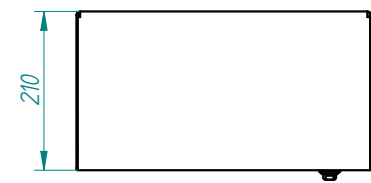
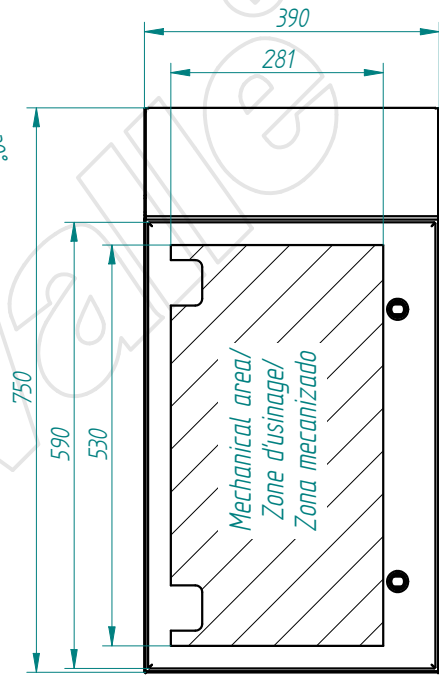
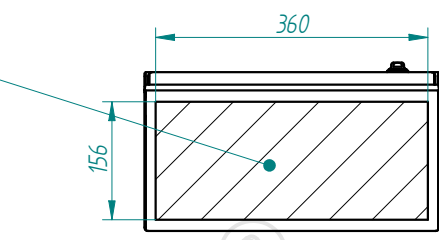
Nº PLANO:



This present document and its contents are confidential, and are the exclusive intellectual and / or industrial property of DEVALLE. In addition to any technology, design, invention, work, process, know-how, calculation, manual, method, solution, idea, improvement, drawing, diagram, modification, contribution and, in short, any associated information or documentation involving industrial or intellectual property developed or supplied by DEVALLE on the occasion of the quote, order execution or incorporated into the design or operation of the supply. The recipient may not use such property in his favour or in that of a third party for purposes other than the fulfilment of the order and the operation and maintenance of the supply, without the prior written consent of DEVALLE. It is strictly forbidden to totally or partially reproduce this document and to misuse it and / or to show it to third parties. The infringing parties shall be required to pay the corresponding compensation for damages, and any other legal or criminal, responsible & the infringement may give rise to.



Mechanical area/
Zone d'usinage/
Zona mecanizado



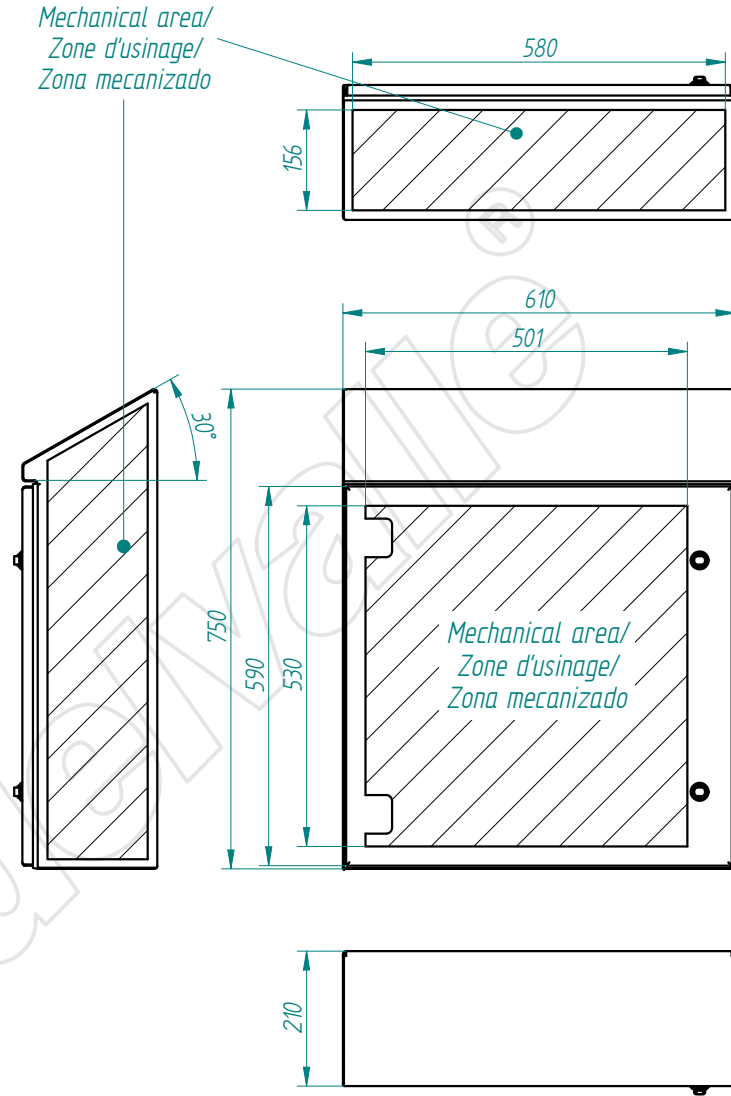
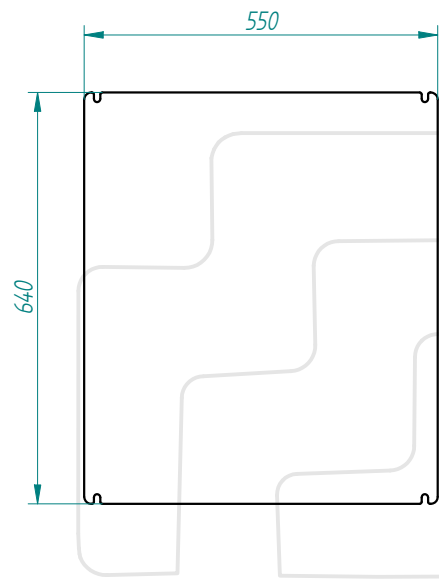
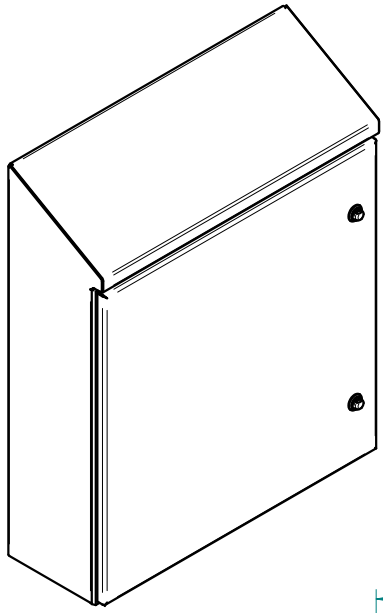
Mechanical area/
Zone d'usinage/
Zona mecanizado



TOLERANCIA GENERAL DE MECANIZACION segun DIN 7168					Referencia:		FECHA: 28/05/2015	FIRMA: D.Martinez
							28/05/2015	D.Martinez
	Creación del documento	28/05/2015	D.MTNEZ	A	- plegado: acabado:	DESIGNACIÓN: luxor hygienic-750x390x210-estandar	Nº PLANO:	
	MODIFICACIONES	FECHA:	FIRMA:	REVISIÓN:				



This present document and its contents are confidential, and are the exclusive intellectual and / or industrial property of DELVALLE. In addition to any technology, design, invention, work, process, know-how, calculation, manual, method, solution, idea, improvement, drawing, diagram, modification, contribution and, in short, any associated information or documentation involving industrial or intellectual property developed or supplied by DELVALLE on the occasion of the quote, order execution or incorporated into the design or operation of the supply. The recipient may not use such property in his favour or in that of a third party for purposes other than the fulfilment of the order and the operation and maintenance of the supply, without the prior written consent of DELVALLE. It is strictly forbidden to totally or partially reproduce this document and to misuse it and / or to show it to third parties. The infringing parties shall be required to pay the corresponding compensation for damages, and any other legal or criminal responsibility is the infringement may give rise to.



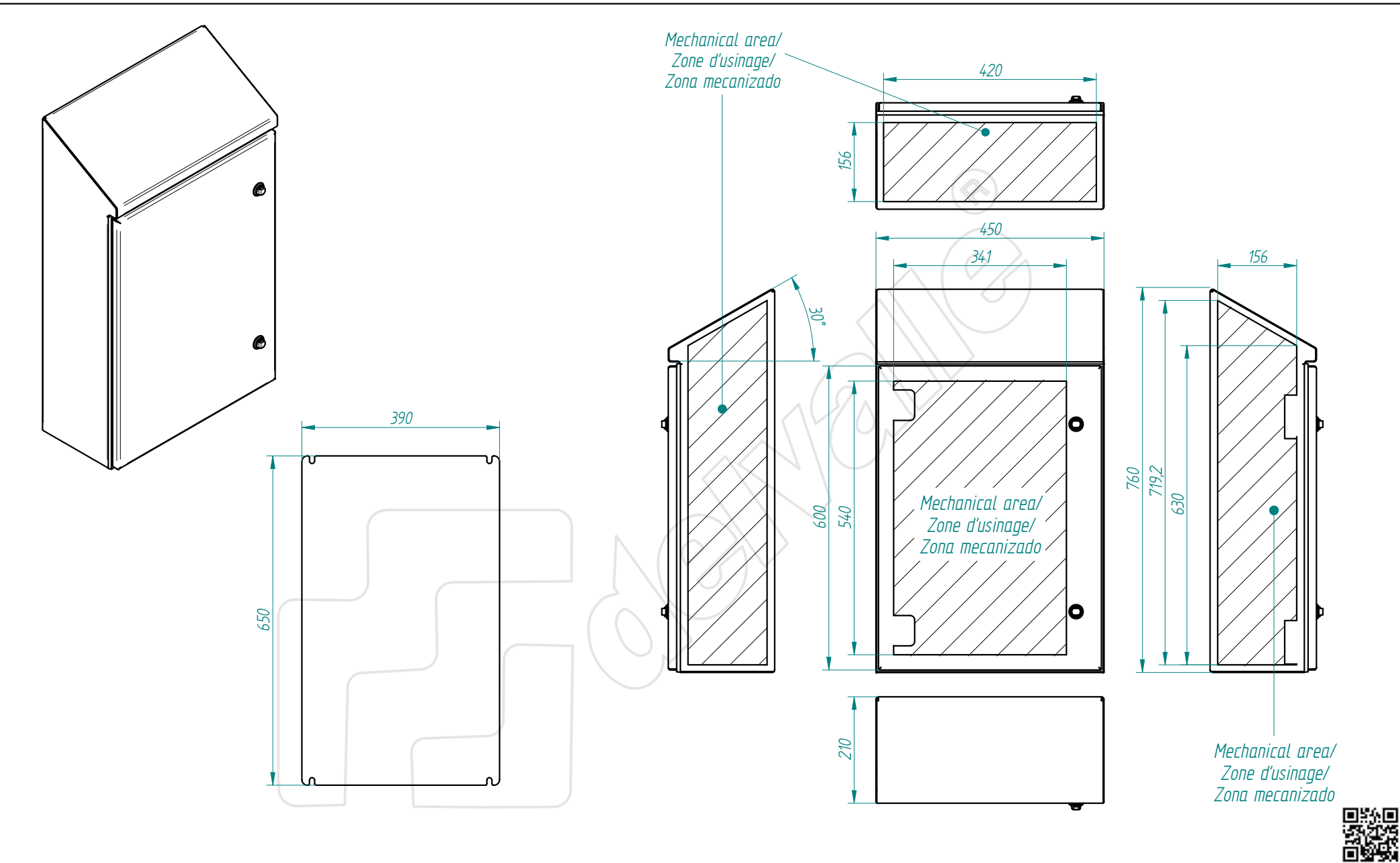
Mechanical area/
Zone d'usage/
Zona mecanizado




TOLERANCIA GENERAL DE MECANIZACION segun DIN 7168					Referencia:		FECHA: 28/05/2015	FIRMA: D.Martinez
							28/05/2015	D.Martinez
	Creación del documento	28/05/2015	D.MTNEZ	A	- plegado: acabado:	DESIGNACIÓN:	Nº PLANO:	
	MODIFICACIONES	FECHA:	FIRMA:	REVISIÓN:		luxor hygienic-750x610x210-estandar		



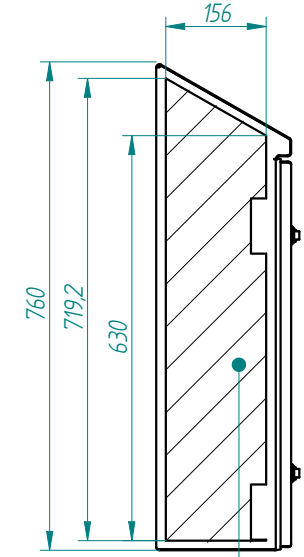
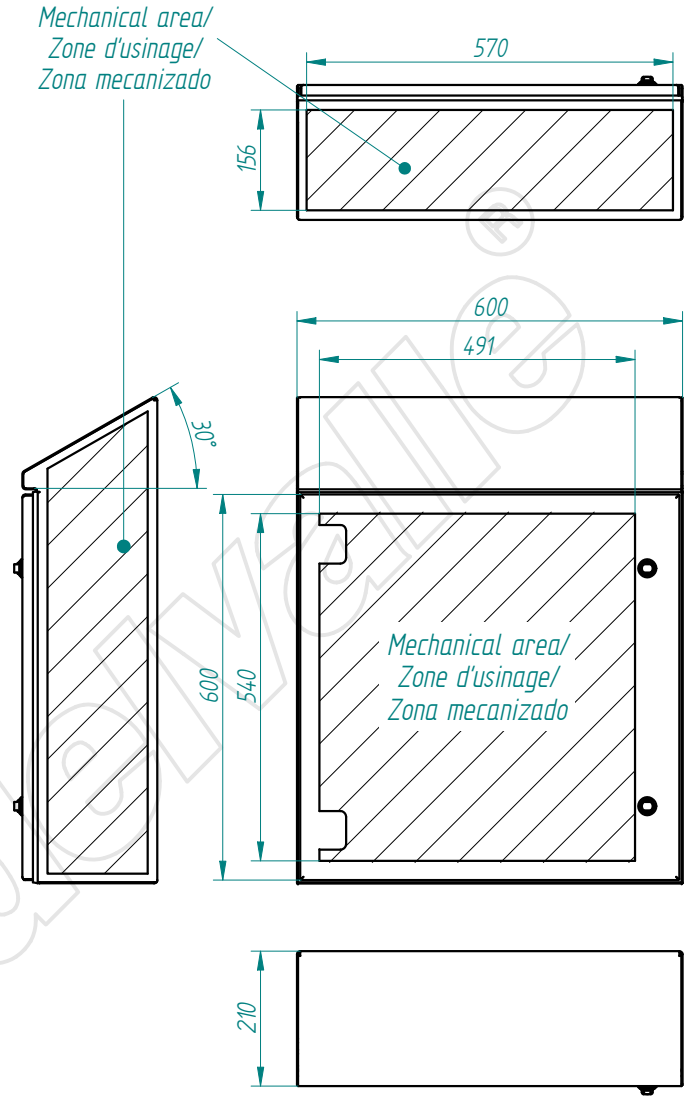
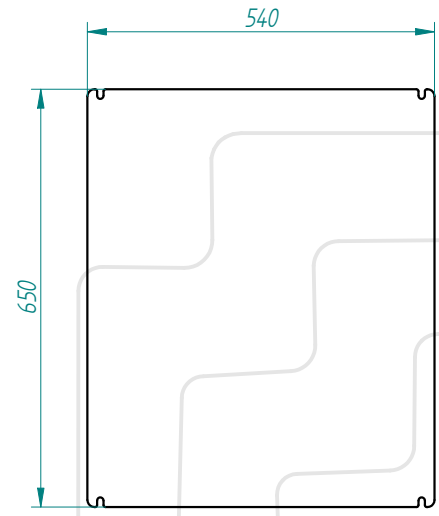
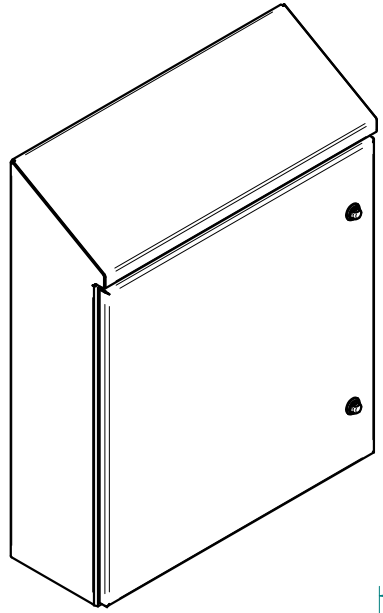
This present document and its contents are confidential, and are the exclusive intellectual and / or industrial property of DELVALLE. In addition to any technology, design, invention, work, process, know-how, calculation, manual, solution, idea, improvement, drawing, diagram, modification, contribution and, in short, any associated information or documentation involving industrial or intellectual property developed or supplied by DELVALLE on the occasion of the quote, order execution or incorporated into the design or operation of the supply. The recipient may not use such property in his favour or in that of a third party for purposes other than the fulfilment of the order and the operation and maintenance of the supply, without the prior written consent of DELVALLE. It is strictly forbidden to totally or partially reproduce this document and to misuse it and / or to show it to third parties. The infringing parties shall be required to pay the corresponding compensation for damages, and any other legal or criminal responsibility is the infringement may give rise to.



TOLERANCIA GENERAL DE MECANIZACION según DIN 7168					Referencia:		FECHA:	FIRMA:	
						DIBUJADO:	29/05/2015	D.Martínez	
						APROBADO:	29/05/2015	D.Martínez	
	Creación del documento	29/05/2015	D.MTNEZ	A	-	DESIGNACIÓN:	luxor hygienic-760x450x210-estandar		Nº PLANO:
	MODIFICACIONES	FECHA:	FIRMA:	REVISIÓN:	plegado: acabado:				



This present document and its contents are confidential, and are the exclusive intellectual and / or industrial property of DELVALLE. In addition to any technology, design, invention, work, process, know-how, calculation, manual, method, solution, idea, improvement, drawing, modification, contribution and, in short, any associated information or documentation involving industrial or intellectual property developed or supplied by DELVALLE on the occasion of the quote, order execution or incorporated into the design or operation of the supply. The recipient may not use such property in his favour or in that of a third party for purposes other than the fulfilment of the order and the operation and maintenance of the supply, without the prior written consent of DELVALLE. It is strictly forbidden to totally or partially reproduce this document and to misuse it and / or to show it to third parties. The infringing parties shall be required to pay the corresponding compensation for damages, and any other legal or criminal responsibility is the infringement may give rise to.



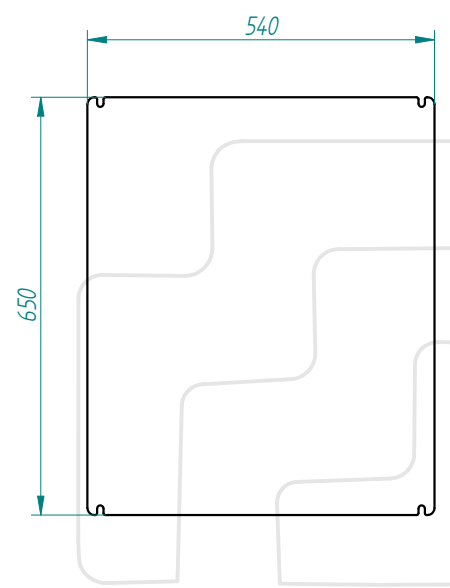
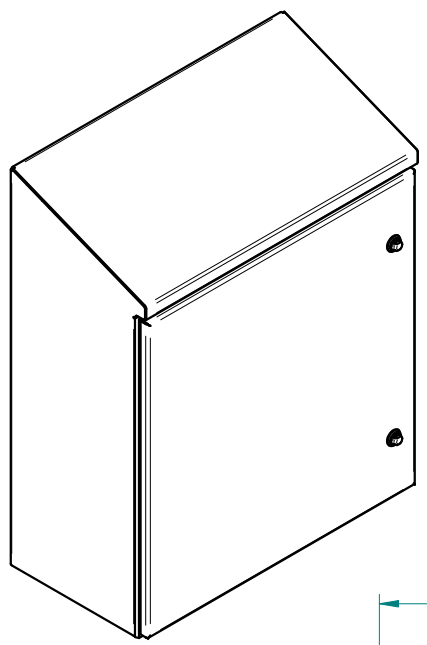
TOLERANCIA GENERAL DE MECANIZACION según DIN 7168					
	Creación del documento	29/05/2015	D.MTNEZ	A	
	MODIFICACIONES	FECHA:	FIRMA:	REVISIÓN:	

Referencia:			
	DIBUJADO:	FECHA:	FIRMA:
	APROBADO:	29/05/2015	D.Martinez
	DESIGNACIÓN:	luxor higienic-760x600x210-estandar	

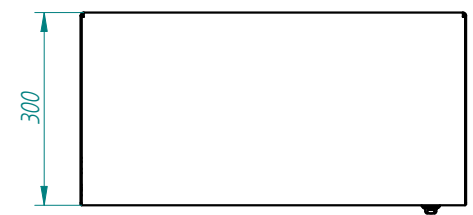
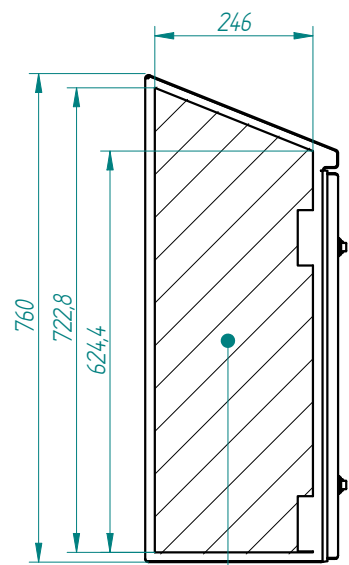
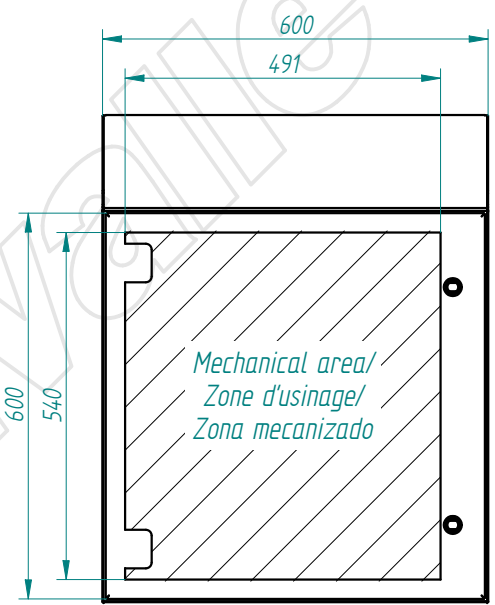
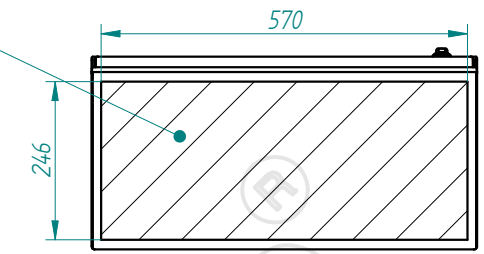
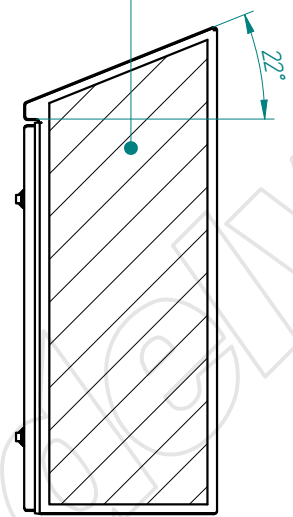
Nº PLANO:



This present document and its contents are confidential, and are the exclusive intellectual and / or industrial property of DEVALLE. In addition to any technology, design, invention, work, process, know-how, calculation, manual, solution, idea, improvement, drawing, diagram, modification, contribution and, in short, any associated information or documentation involving industrial or intellectual property developed or supplied by DEVALLE on the occasion of the quote, order execution or incorporated into the design or operation of the supply. The recipient may not use such property in his favour or in that of a third party for purposes other than the fulfilment of the order and the operation and maintenance of the supply, without the prior written consent of DEVALLE. It is strictly forbidden to totally or partially reproduce this document and to misuse it and / or to show it to third parties. The infringing parties shall be required to pay the corresponding compensation for damages, and any other legal or criminal responsibility is the infringement may give rise to.



Mechanical area/
Zone d'usinage/
Zona mecanizado

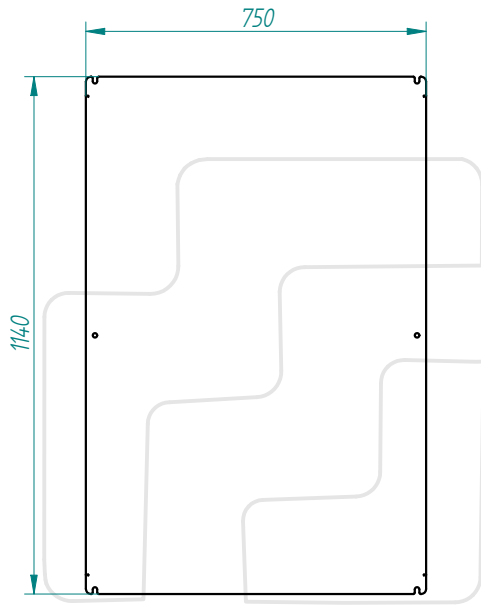
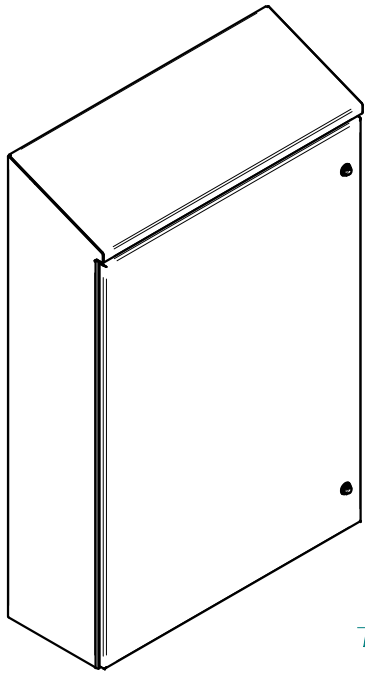


Mechanical area/
Zone d'usinage/
Zona mecanizado

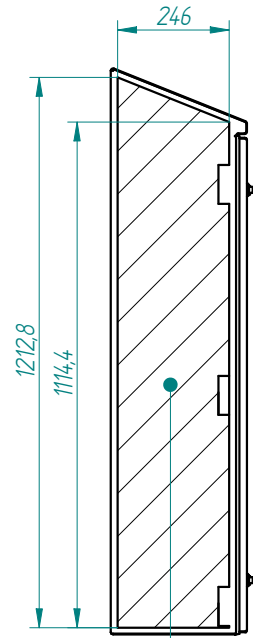
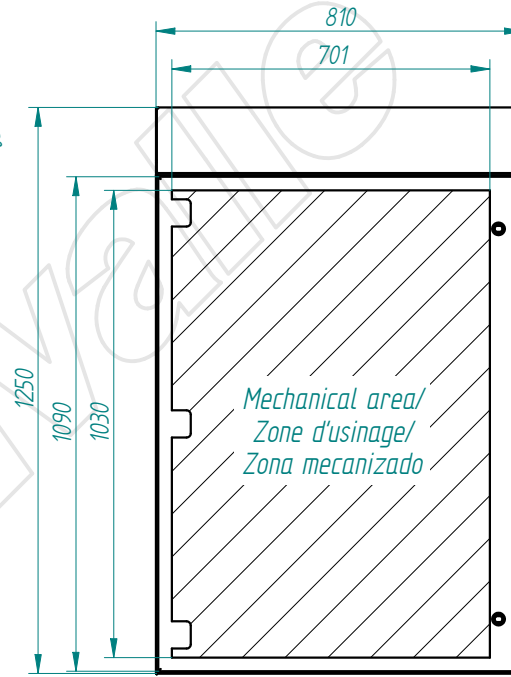
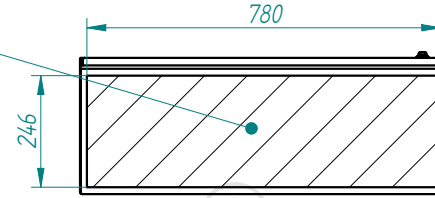
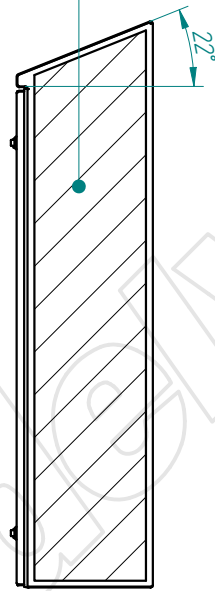


TOLERANCIA GENERAL DE MECANIZACION segun DIN 7168					Referencia:		FECHA: 01/06/2015	FIRMA: D.Martinez	
						APROBADO:	01/06/2015	D.Martinez	
	Creación del documento	01/06/2015	D.MTNEZ	A	- plegado: acabado:	DESIGNACIÓN:	luxor hygienic-760x600x300-estandar		
MODIFICACIONES	FECHA:	FIRMA:	REVISIÓN:						

This present document and its contents are confidential, and are the exclusive intellectual and / or industrial property of DELVALLE. In addition to any technology, design, invention, work, process, know-how, calculation, manual, method, solution, idea, improvement, drawing, diagram, modification, contribution and, in short, any associated information or documentation involving industrial or intellectual property developed or supplied by DELVALLE on the occasion of the quote, order execution or incorporated into the design or operation of the supply. The recipient may not use such property in his favour or in that of a third party for purposes other than the fulfilment of the order and the operation and maintenance of the supply, without the prior written consent of DELVALLE. It is strictly forbidden to totally or partially reproduce this document and to misuse it and / or to show it to third parties. The infringing parties shall be required to pay the corresponding compensation for damages, and any other legal or criminal responsibility is the infringement may give rise to.



Mechanical area/
Zone d'usinage/
Zona mecanizado



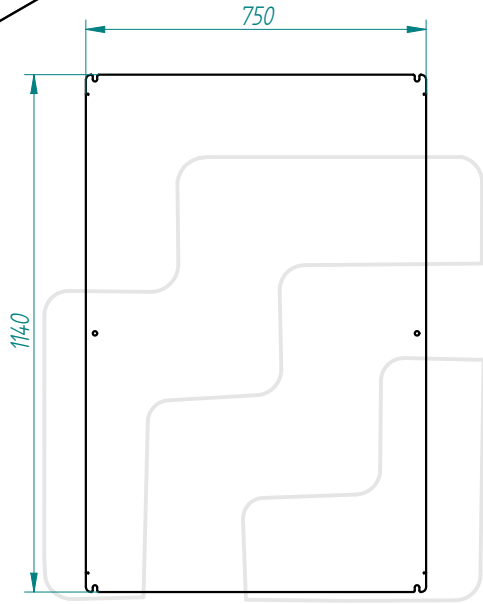
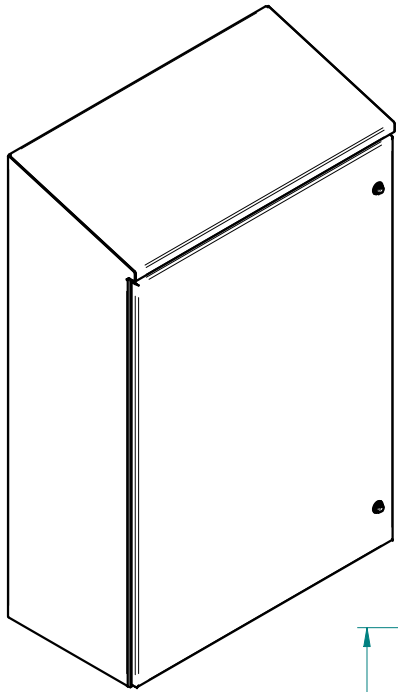
Mechanical area/
Zone d'usinage/
Zona mecanizado



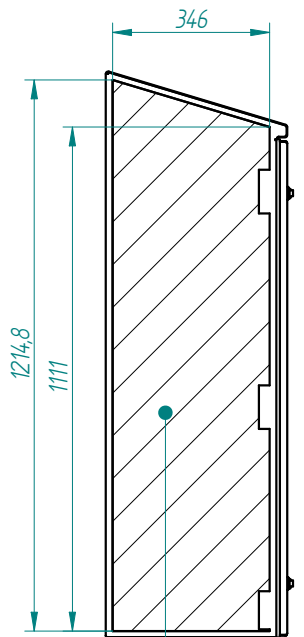
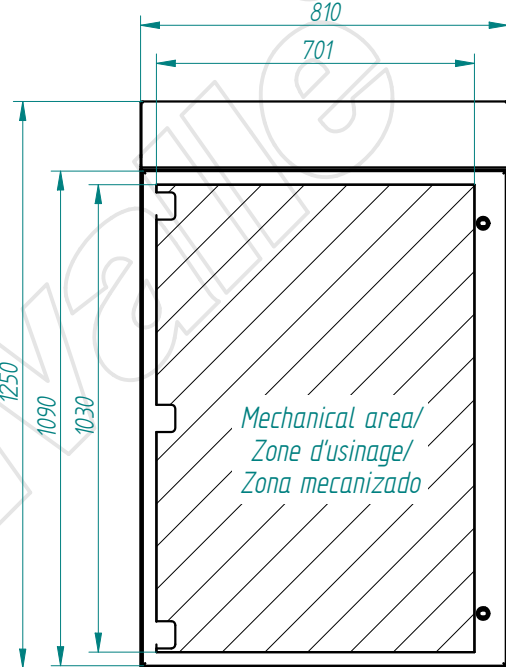
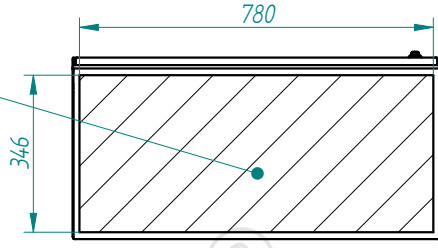
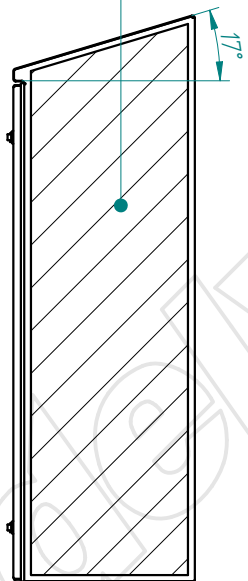
TOLERANCIA GENERAL DE MECANIZACION segun DIN 7168					Referencia:		FECHA: 28/05/2015	FIRMA: D.Martinez
							28/05/2015	D.Martinez
	Creación del documento	28/05/2015	D.MTNEZ	A	- plegado: acabado:	DESIGNACIÓN:	Nº PLANO:	
	MODIFICACIONES	FECHA:	FIRMA:	REVISIÓN:		luxor higienic-1250x810x300-estandar		



This present document and its contents are confidential, and are the exclusive intellectual and / or industrial property of DELVALLE. In addition to any technology, design, invention, work, process, know-how, calculation, manual, method, solution, idea, improvement, drawing, diagram, modification, contribution and, in short, any associated information involving industrial or intellectual property developed or supplied by DELVALLE on the occasion of the quote, order execution or incorporated into the design or operation of the supply. The recipient may not use such property in his favour or in that of a third party for purposes other than the fulfilment of the order and the operation and maintenance of the supply, without the prior written consent of DELVALLE. It is strictly forbidden to totally or partially reproduce this document and to misuse it and / or to show it to third parties. The infringing parties shall be required to pay the corresponding compensation for damages, and any other legal or criminal responsibility is the infringement may give rise to.




Mechanical area/
Zone d'usinage/
Zona mecanizado

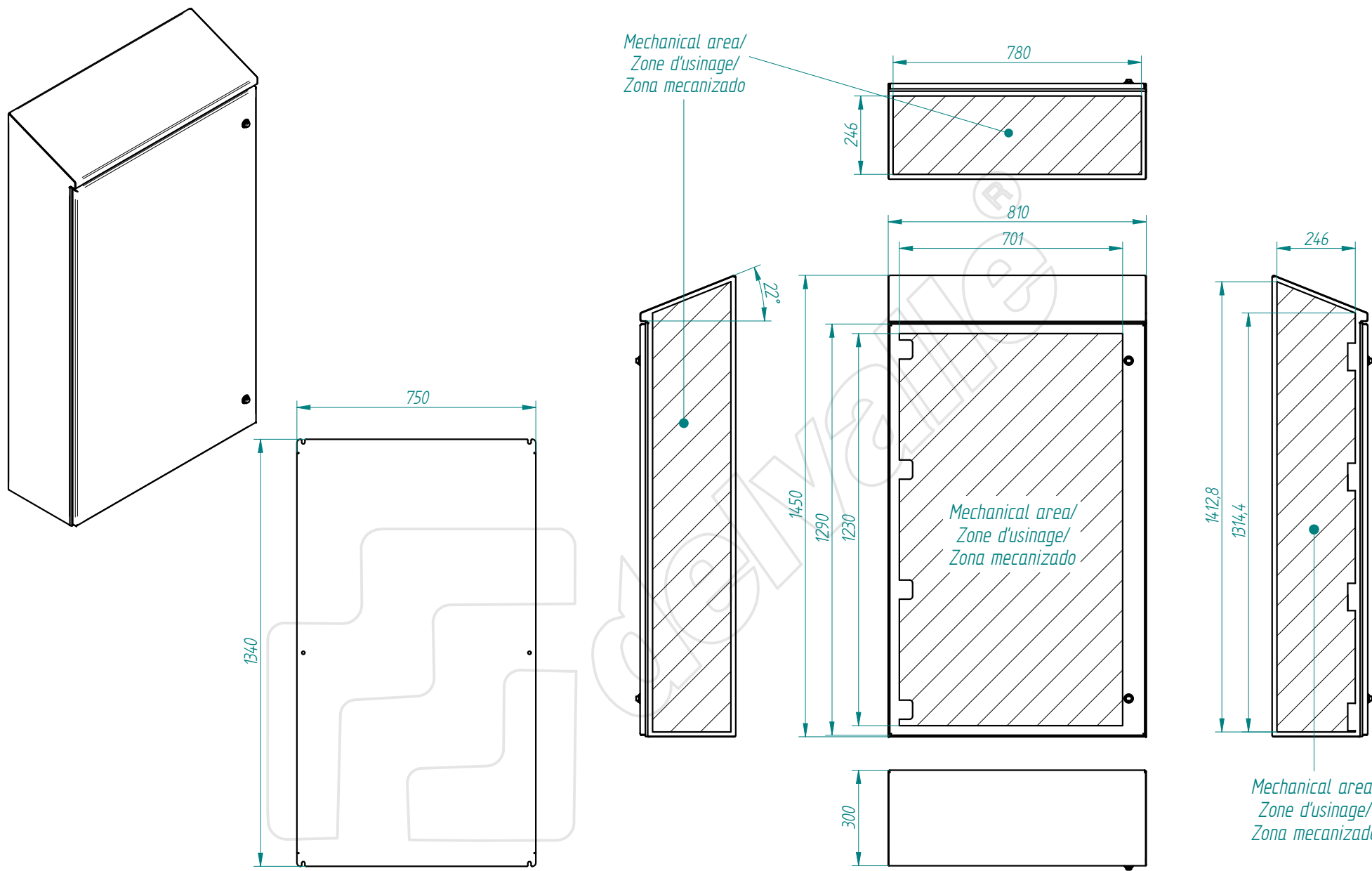


Mechanical area/
Zone d'usinage/
Zona mecanizado



TOLERANCIA GENERAL DE MECANIZACION segun DIN 7168	Creación del documento	29/05/2015	D.MTNEZ	A	-	Referencia:	DIBUJADO:	29/05/2015	FIRMA:	D.Martínez	
	MODIFICACIONES	FECHA:	FIRMA:	REVISIÓN:	plegado: acabado:	APROBADO:	29/05/2015	D.Martínez	DESIGNACIÓN:	Nº PLANO:	
luxor higienic-1250x810x400-estandar											

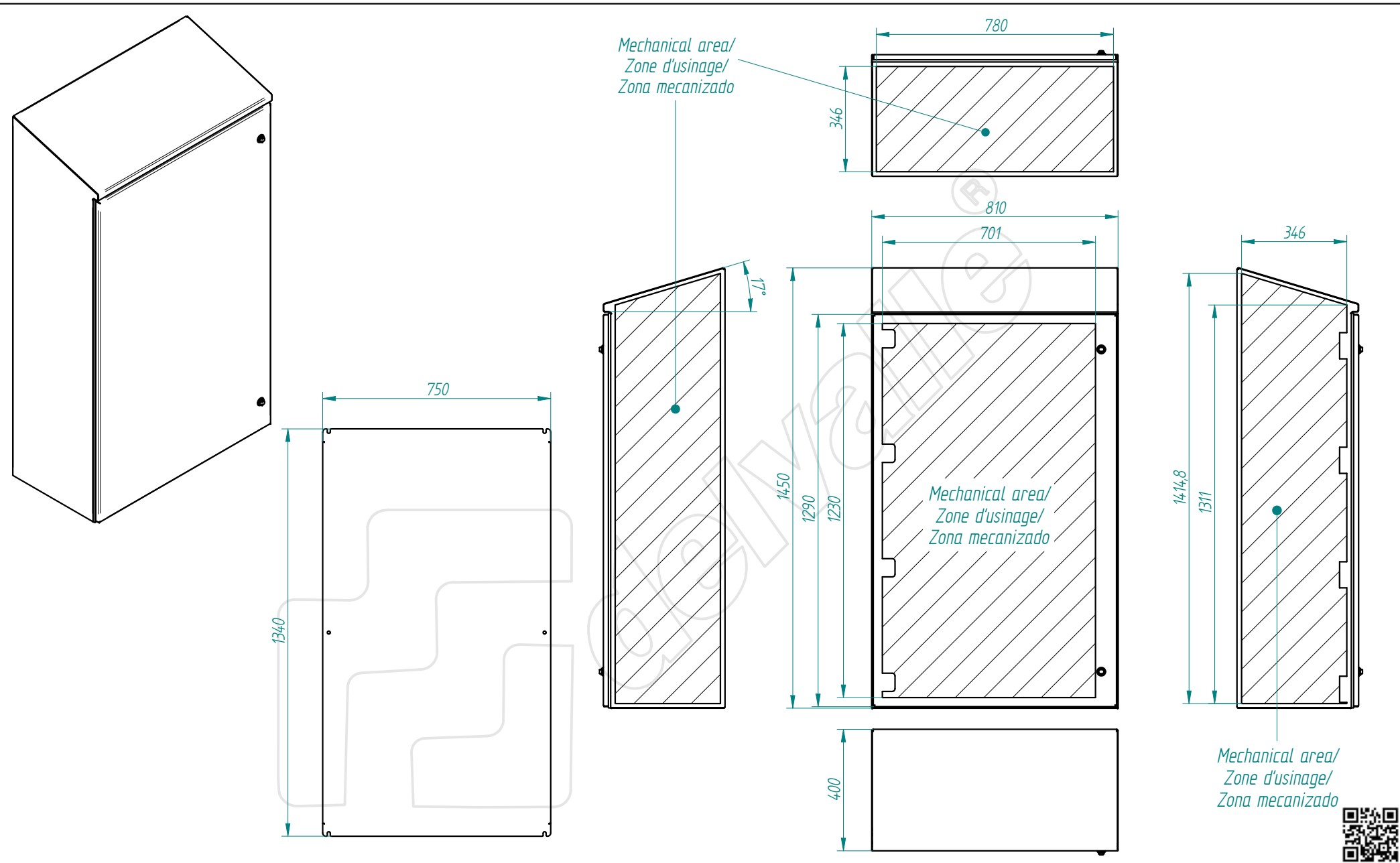
This present document and its contents are confidential, and are the exclusive intellectual and / or industrial property of DELVALLE. In addition to any technology, design, invention, work, process, know-how, calculation, manual, method, solution, idea, improvement, drawing, diagram, modification, contribution and, in short, any associated information or documentation involving industrial or intellectual property developed or supplied by DELVALLE on the occasion of the quote, order execution or incorporated into the design or operation of the supply. The recipient may not use such property in his favour or in that of a third party for purposes other than the fulfilment of the order and the operation and maintenance of the supply, without the prior written consent of DELVALLE. It is strictly forbidden to totally or partially reproduce this document and to misuse it and / or to show it to third parties. The infringing parties shall be required to pay the corresponding compensation for damages, and any other legal or criminal responsibility is the infringement may give rise to.



TOLERANCIA GENERAL DE MECANIZACION segun DIN 7168					Referencia:		FECHA: 28/05/2015	FIRMA: D.Martinez
						DIBUJADO: 28/05/2015		D.Martinez
						APROBADO: 28/05/2015		D.Martinez
	Creación del documento	28/05/2015	D.MTNEZ	A	- plegado: acabado:	DESIGNACIÓN: luxor higienic-1450x810x300-estandar		Nº PLANO:
	MODIFICACIONES	FECHA:	FIRMA:	REVISIÓN:				



This present document and its contents are confidential, and are the exclusive intellectual and / or industrial property of DEVALLE. In addition to any technology, design, invention, work, process, know-how, calculation, manual, method, solution, idea, improvement, drawing, diagram, modification, contribution and, in short, any associated information or documentation involving industrial or intellectual property developed or supplied by DEVALLE on the occasion of the quote, order execution or incorporated into the design or operation of the supply. The recipient may not use such property in his favour or in that of a third party for purposes other than the fulfilment of the order and the operation and maintenance of the supply, without the prior written consent of DEVALLE. It is strictly forbidden to totally or partially reproduce this document and to misuse it and / or to show it to third parties. The infringing parties shall be required to pay the corresponding compensation for damages, and any other legal or criminal responsibilities. The infringement may give rise to.



TOLERANCIA GENERAL DE MECANIZACION segun DIN 7168					Referencia:		FECHA: 29/05/2015	FIRMA: D.Martinez
						DIBUJADO: 29/05/2015		D.Martinez
						APROBADO: 29/05/2015		D.Martinez
	Creación del documento	29/05/2015	D.MTNEZ	A	- plegado: acabado.	DESIGNACIÓN: luxor higienic-1450x810x400-estandar		Nº PLANO:
	MODIFICACIONES	FECHA:	FIRMA:	REVISIÓN:				

