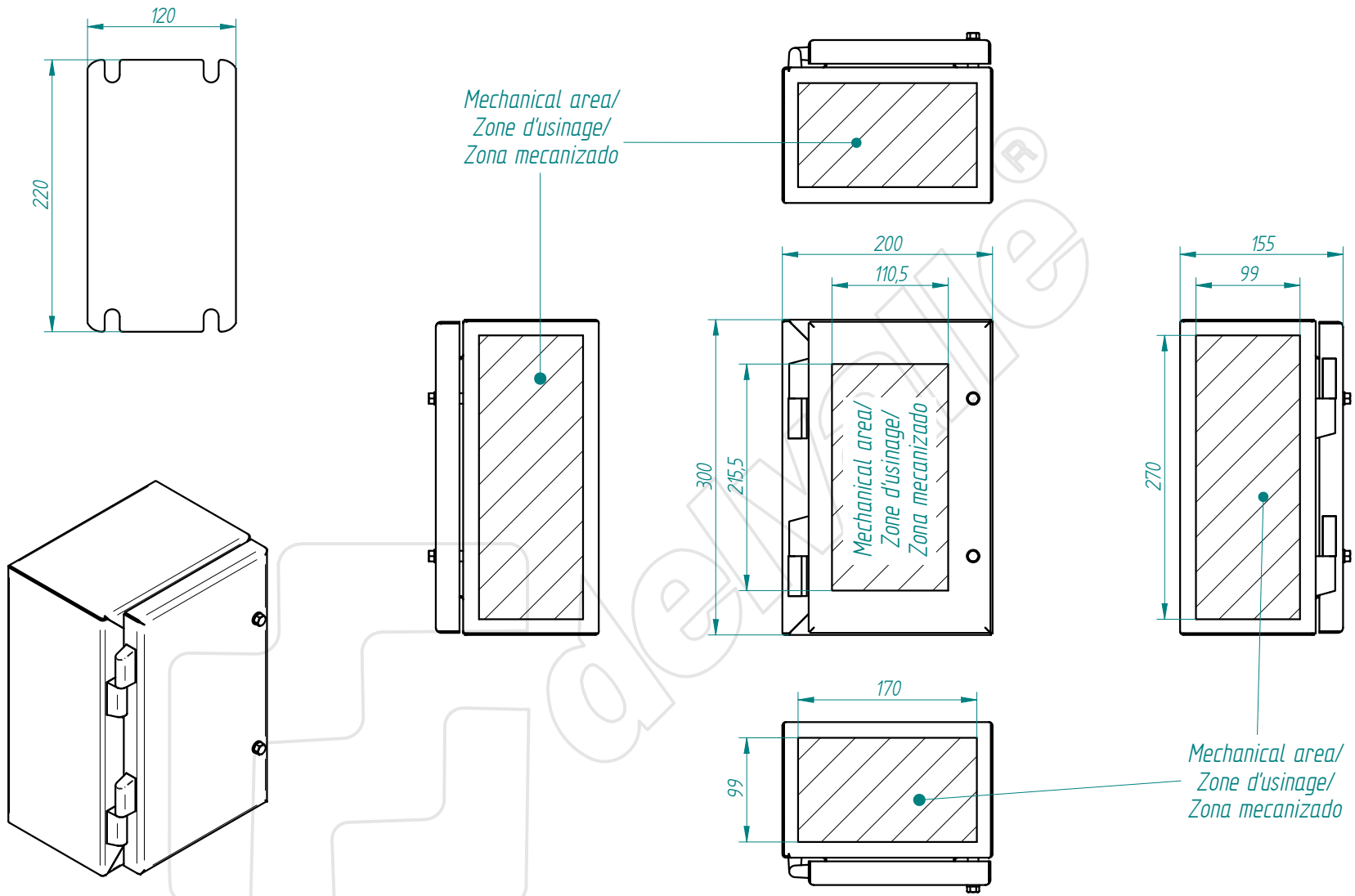

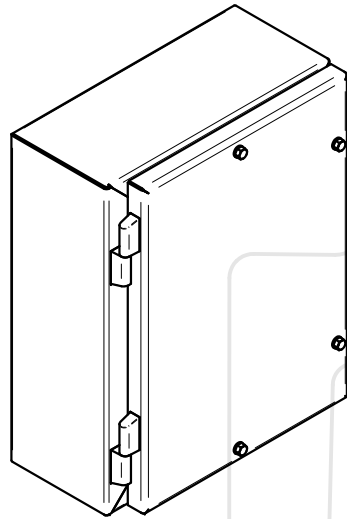
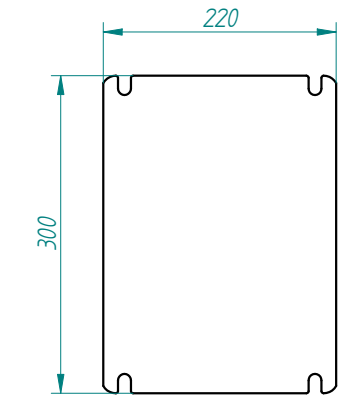


This present document and its contents are confidential, and are the exclusive intellectual and / or industrial property of DELVALLE. In addition to any technology, design, invention, work, process, know-how, calculation, manual, method, solution, idea, improvement, drawing, diagram, modification, contribution and, in short, any associated information or documentation involving industrial or intellectual property developed or supplied by DELVALLE on the occasion of the quote, order execution or incorporated into the design or operation of the supply. The recipient may not use such property in his favour or in that of a third party for purposes other than the fulfilment of the order and the operation and maintenance of the supply, without the prior written consent of DELVALLE. It is strictly forbidden to totally or partially reproduce this document and to misuse it and / or to show it to third parties. The infringing parties shall be required to pay the corresponding compensation for damages, and any other legal or criminal responsibility is the infringement may give rise to.

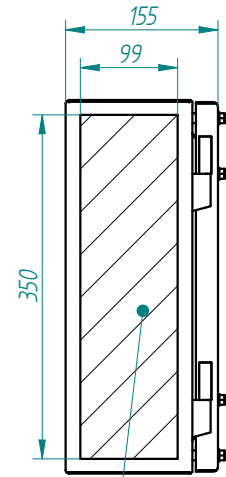
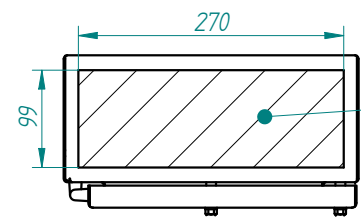
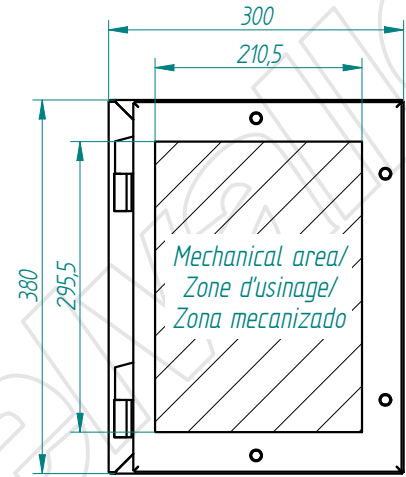
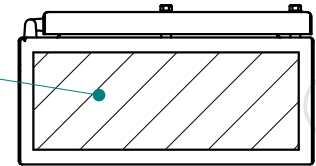
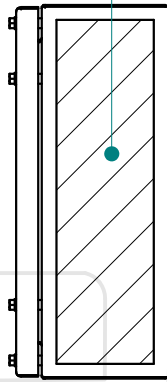


TOLERANCIA GENERAL DE MECANIZACION según DIN 7168	Creación del documento	30/04/2015	D.MTNEZ	A	Referencia: MVAB000000/67 - plegado: acabado:	DIBUJADO:	30/04/2015	FIRMA: D.Martínez	 N° PLANO: AB/67-00 a
	MODIFICACIONES	FECHA:	FIRMA:	REVISIÓN:		APROBADO:	30/04/2015	D.Martínez	
DESIGNACIÓN: LUXOR IP67-300x200x155-estandar									

This present document and its contents are confidential, and are the exclusive intellectual and / or industrial property of DELVALLE. In addition to any technology, design, invention, work, process, know-how, calculation, manual, method, solution, idea, improvement, drawing, diagram, modification, contribution and, in short, any associated information or documentation involving industrial or intellectual property developed or supplied by DELVALLE on the occasion of the quote, order execution or incorporated into the design or operation of the supply. The recipient may not use such property in his favour or in that of a third party for purposes other than the fulfilment of the order and the operation and maintenance of the supply, without the prior written consent of DELVALLE. It is strictly forbidden to totally or partially reproduce this document and to misuse it and / or to show it to third parties. The infringing parties shall be required to pay the corresponding compensation for damages, and any other legal or criminal responsibilities, the infringement may give rise to.



Mechanical area/
Zone d'usinage/
Zona mecanizado



Mechanical area/
Zone d'usinage/
Zona mecanizado

TOLERANCIA GENERAL
DE MECANIZACION
segun DIN 7168

Creación del documento	30/04/2015	D.MTNEZ	A
MODIFICACIONES	FECHA:	FIRMA:	REVISIÓN:

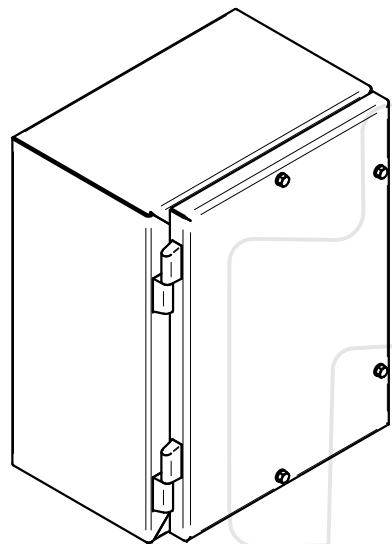
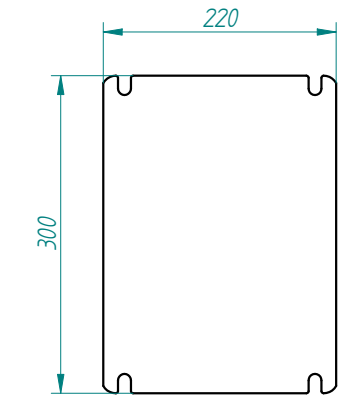
Referencia:
MVAB000000/67
-
plegado:
acabado:

DIBUJADO:	FECHA:	FIRMA:
APROBADO:	30/04/2015	D.Martinez
DESIGNACIÓN: LUXOR IP67-380x300x155-estandar		

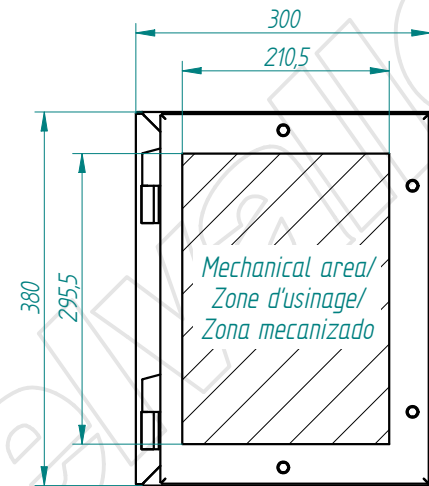
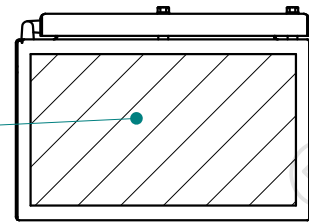
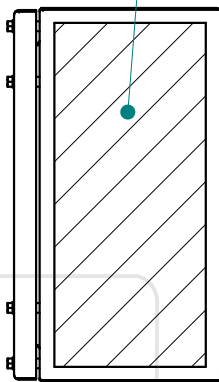
Nº PLANO: AB/67-00 a



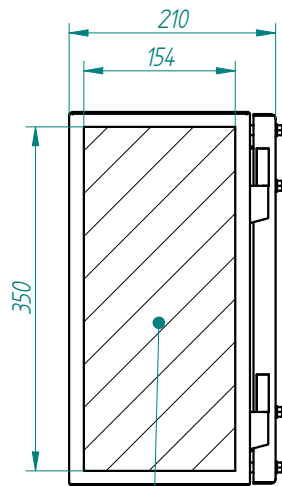
This present document and its contents are confidential, and are the exclusive intellectual and / or industrial property of DELVALLE. In addition to any technology, design, invention, work, process, know-how, calculation, manual, solution, idea, improvement, drawing, modification, contribution and, in short, any associated information or documentation involving industrial or intellectual property developed or supplied by DELVALLE on the occasion of the quote, order execution or incorporated into the design or operation of the supply. The recipient may not use such property in his favour or in that of a third party for purposes other than the fulfilment of the order and the operation and maintenance of the supply, without the prior written consent of DELVALLE. It is strictly forbidden to totally or partially reproduce this document and to misuse it and / or to show it to third parties. The infringing parties shall be required to pay the corresponding compensation for damages, and any other legal or criminal responsibility is the infringer's sole responsibility.



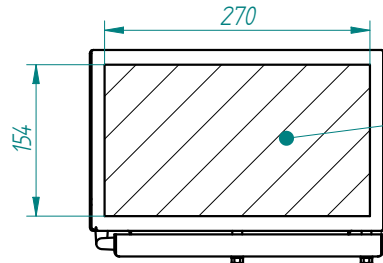
Mechanical area/
Zone d'usinage/
Zona mecanizado




Mechanical area/
Zone d'usinage/
Zona mecanizado

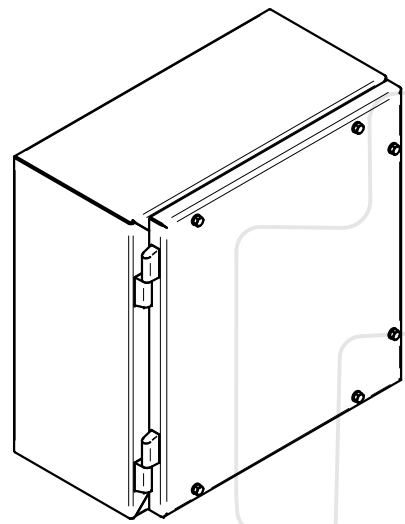
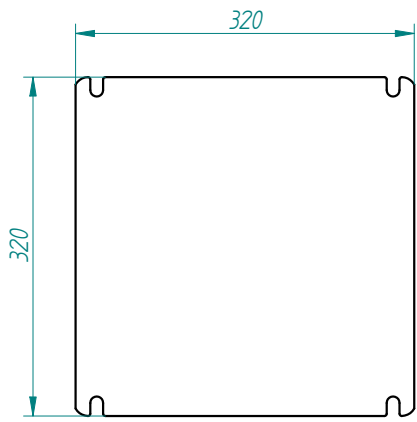


Mechanical area/
Zone d'usinage/
Zona mecanizado

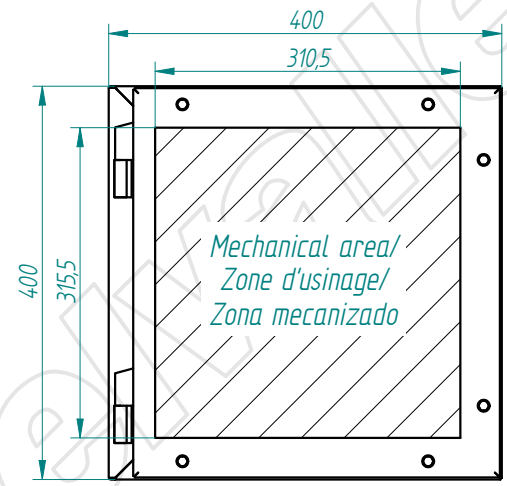
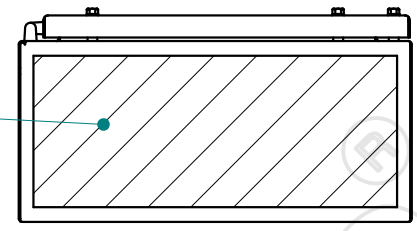
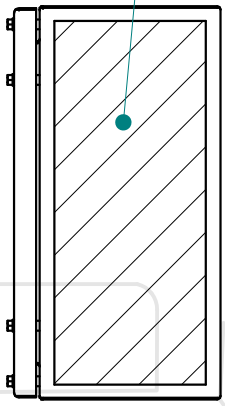


TOLERANCIA GENERAL DE MECANIZACION segun DIN 7168	Creación del documento	30/04/2015	D.MTNEZ	A	Referencia: MVAB000000/67	DIBUJADO: 30/04/2015	FECHA: 30/04/2015	FIRMA: D.Martinez	 N° PLANO: AB/67-00 a
	MODIFICACIONES	FECHA:	FIRMA:	REVISIÓN:	- plegado: acabado.	DESIGNACIÓN: LUXOR IP67-380x300x210-estandar			

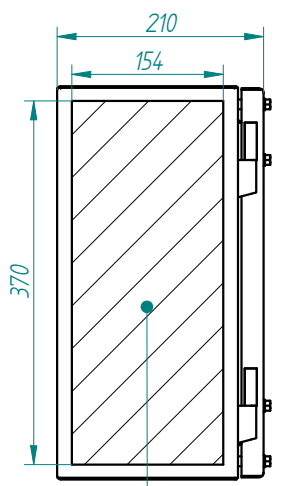
This present document and its contents are confidential, and are the exclusive intellectual and / or industrial property of DELVALLE. In addition to any technology, design, invention, work, process, know-how, calculation, manual, improvement, drawing, diagram, modification, contribution and, in short, any associated information or documentation involving industrial or intellectual property developed or supplied by DELVALLE on the occasion of the quote, order execution or incorporated into the design or operation of the supply. The recipient may not use such property in his favour or in that of a third party for purposes other than the fulfilment of the order and the operation and maintenance of the supply, without the prior written consent of DELVALLE. It is strictly forbidden to totally or partially reproduce this document and to misuse it and / or to show it to third parties. The infringing parties shall be required to pay the corresponding compensation for damages, and any other legal or criminal, responsible and the infringement may give rise to.



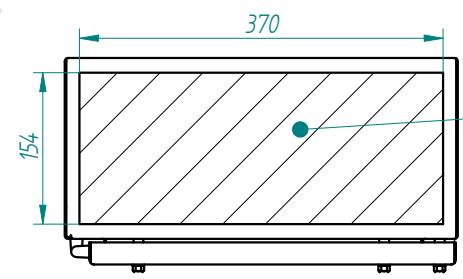
Mechanical area/
Zone d'usage/
Zona mecanizado



Mechanical area/
Zone d'usage/
Zona mecanizado

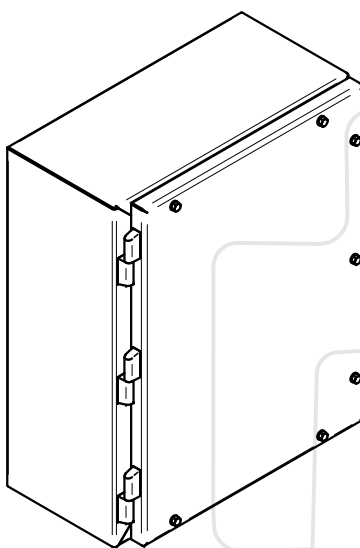
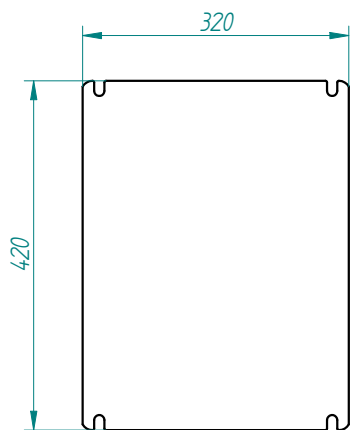


Mechanical area/
Zone d'usage/
Zona mecanizado

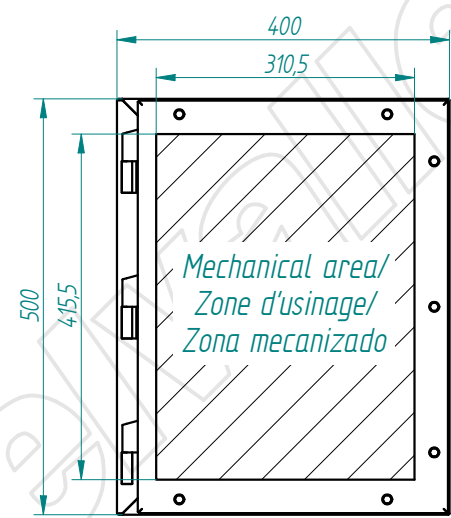
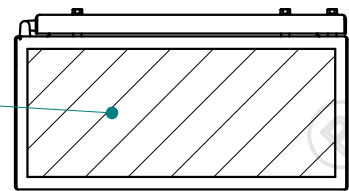
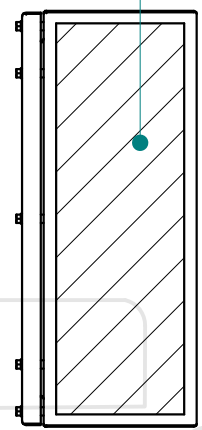


TOLERANCIA GENERAL DE MECANIZACION segun DIN 7168	Creación del documento	30/04/2015	D.MTNEZ	A	Referencia: MVAB000000/67 - plegado: acabado:	DIBUJADO:	30/04/2015	FIRMA: D.Martinez	
	MODIFICACIONES	FECHA:	FIRMA:	REVISIÓN:		APROBADO:	30/04/2015	D.Martinez	
						DESIGNACIÓN:	LUXOR IP67-400x400x210-estandar		Nº PLANO: AB/67-00 a

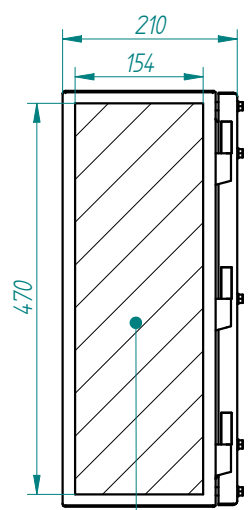
This present document and its contents are confidential, and are the exclusive intellectual and / or industrial property of DELVALLE. In addition to any technology, design, invention, work, process, know-how, calculation, manual, method, solution, idea, improvement, drawing, diagram, modification, contribution and, in short, any associated information or documentation involving industrial or intellectual property developed or supplied by DELVALLE on the occasion of the quote, order execution or incorporated into the design or operation of the supply. The recipient may not use such property in his favour or in that of a third party for purposes other than the fulfilment of the order and the operation and maintenance of the supply, without the prior written consent of DELVALLE. It is strictly forbidden to totally or partially reproduce this document and to misuse it and / or to show it to third parties. The infringing parties shall be required to pay the corresponding compensation for damages, and any other legal or criminal responsibility. The infringement may give rise to.



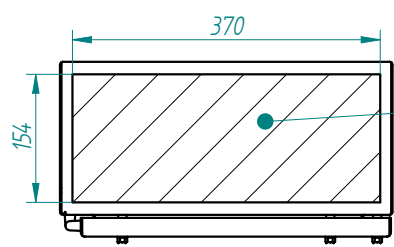
Mechanical area/
Zone d'usage/
Zona mecanizado




Mechanical area/
Zone d'usage/
Zona mecanizado

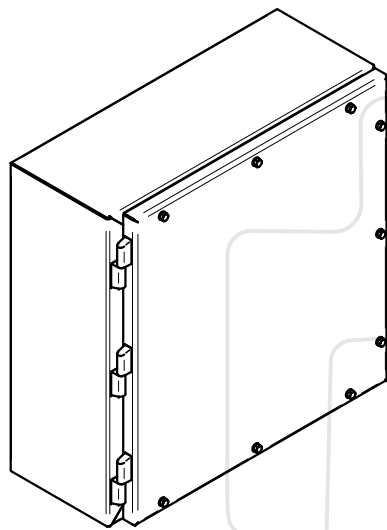
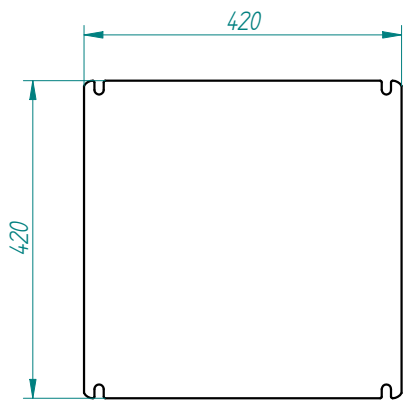


Mechanical area/
Zone d'usage/
Zona mecanizado

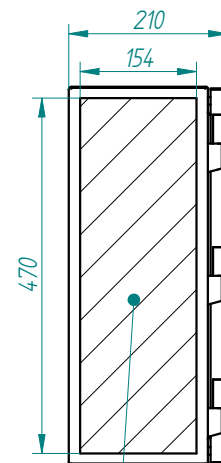
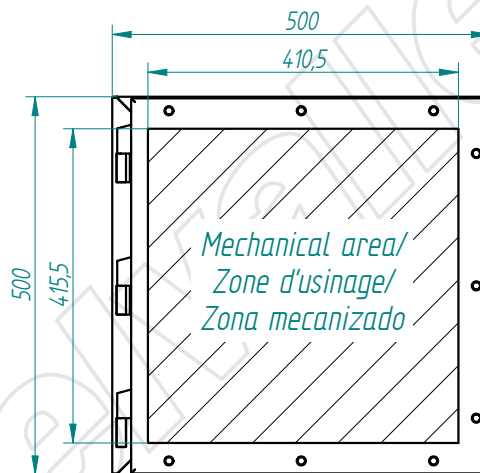
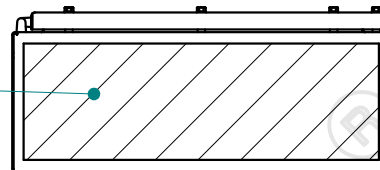
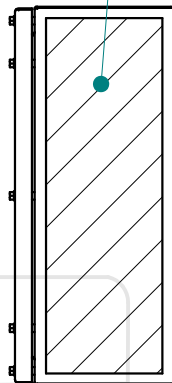


TOLERANCIA GENERAL DE MECANIZACION segun DIN 7168	Creación del documento	30/04/2015	D.MTNEZ	A	Referencia: MVAB000000/67 - plegado: acabado.	DIBUJADO:	30/04/2015	FIRMA:	D.Martinez	 N° PLANO: AB/67-00 a
	MODIFICACIONES	FECHA:	FIRMA:	REVISIÓN:		APROBADO:	30/04/2015	D.Martinez		
	DESIGNACIÓN: LUXOR IP67-500x400x210-estandar									

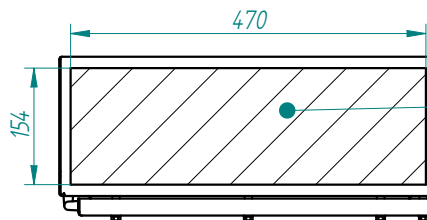
This present document and its contents are confidential, and are the exclusive intellectual and / or industrial property of DELVALLE. In addition to any technology, design, invention, work, process, know-how, calculation, manual, method, solution, idea, improvement, drawing, diagram, modification, contribution and, in short, any associated information or documentation involving industrial or intellectual property developed or supplied by DELVALLE on the occasion of the quote, order execution or incorporated into the design or operation of the supply. The recipient may not use such property in his favour or in that of a third party for purposes other than the fulfilment of the order and the operation and maintenance of the supply, without the prior written consent of DELVALLE. It is strictly forbidden to totally or partially reproduce this document and to misuse it and / or to show it to third parties. The infringing parties shall be required to pay the corresponding compensation for damages, and any other legal or criminal responsibilities. The infringement may give rise to.




Mechanical area/
Zone d'usage/
Zona mecanizado

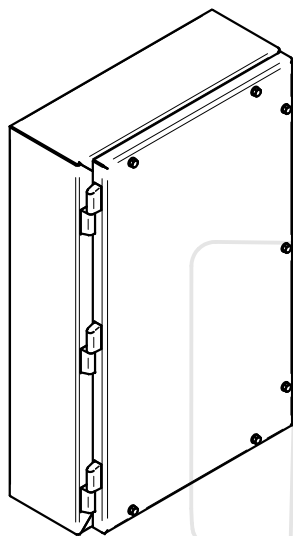
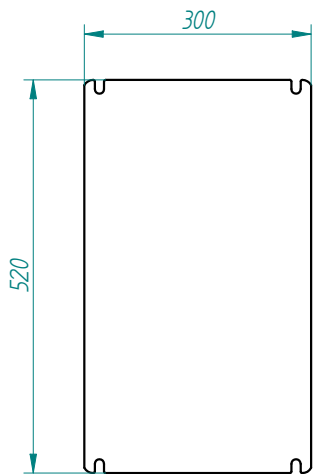


Mechanical area/
Zone d'usage/
Zona mecanizado

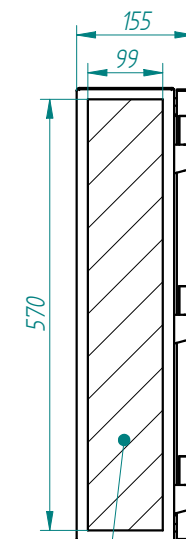
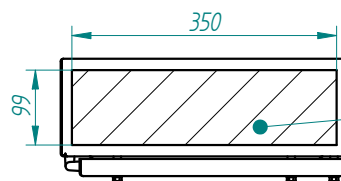
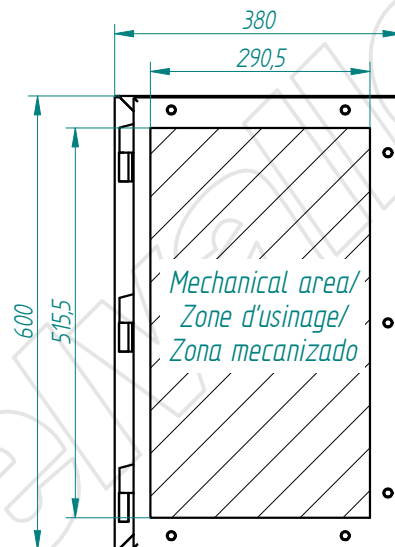
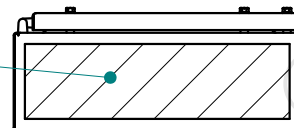
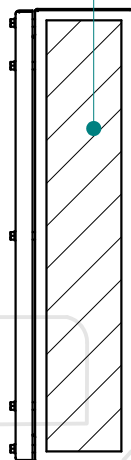


TOLERANCIA GENERAL DE MECANIZACION segun DIN 7168					Referencia: MVAB000000/67	DIBUJADO: 30/04/2015	FECHA: 30/04/2015	FIRMA: D.Martinez	 N° PLANO: AB/67-00 a
	Creación del documento	30/04/2015	D.MTNEZ	A	-	APROBADO: 30/04/2015		D.Martinez	
	MODIFICACIONES	FECHA:	FIRMA:	REVISIÓN:	plegado: acabado:	DESIGNACIÓN: LUXOR IP67-500x500x210-estandar			

This present document and its contents are confidential, and are the exclusive intellectual and / or industrial property of DELVALLE. In addition to any technology, design, invention, work, process, know-how, calculation, manual, method, solution, idea, improvement, drawing, diagram, modification, contribution and, in short, any associated information or documentation involving industrial or intellectual property developed or supplied by DELVALLE on the occasion of the quote, order execution or incorporated into the design or operation of the supply. The recipient may not use such property in his favour or in that of a third party for purposes other than the fulfilment of the order and the operation and maintenance of the supply, without the prior written consent of DELVALLE. It is strictly forbidden to totally or partially reproduce this document and to misuse it and / or to show it to third parties. The infringing parties shall be required to pay the corresponding compensation for damages, and any other legal or criminal responsibility if the infringement may give rise to.



Mechanical area/
Zone d'usage/
Zona mecanizado



Mechanical area/
Zone d'usage/
Zona mecanizado

TOLERANCIA GENERAL
DE MECANIZACION
segun DIN 7168

Creación del documento	30/04/2015	D.MTNEZ	A
MODIFICACIONES	FECHA:	FIRMA:	REVISIÓN:

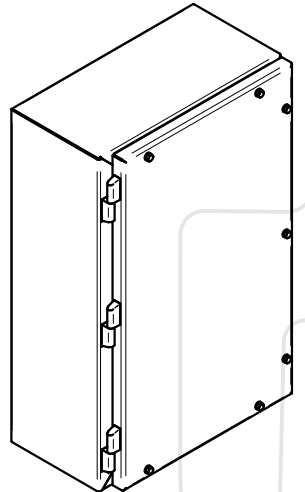
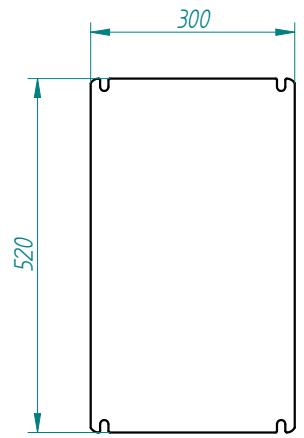
Referencia:
MVAB000000/67

DIBUJADO:	30/04/2015	FIRMA:
APROBADO:	30/04/2015	D.Martinez
DESIGNACIÓN:	LUXOR IP67-600x380x155-estandar	

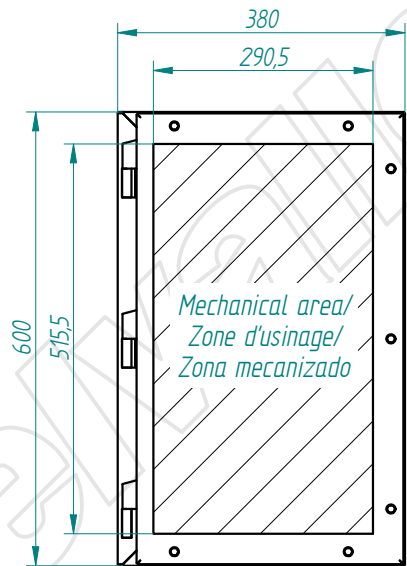
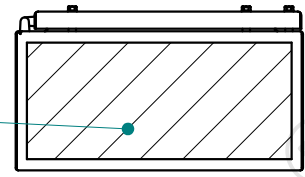
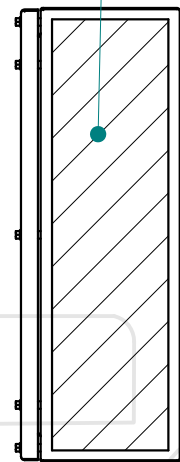
Nº PLANO:	AB/67-00 a
-----------	------------



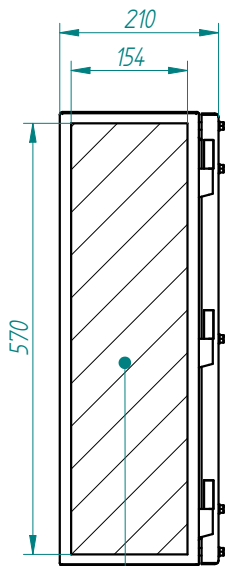
This present document and its contents are confidential, and are the exclusive intellectual and / or industrial property of DELVALLE. In addition to any technology, design, invention, work, process, know-how, calculation, manual, method, solution, idea, improvement, drawing, diagram, modification and, in short, any associated information or documentation involving industrial or intellectual property developed or supplied by DELVALLE on the occasion of the quote, order execution or incorporated into the design or operation of the supply. The recipient may not use such property in his favour or in that of a third party for purposes other than the fulfilment of the order and the operation and maintenance of the supply, without the prior written consent of DELVALLE. It is strictly forbidden to totally or partially reproduce this document and to misuse it and / or to show it to third parties. The infringing parties shall be required to pay the corresponding compensation for damages and any other legal or criminal responsibility. The infringement may give rise to.



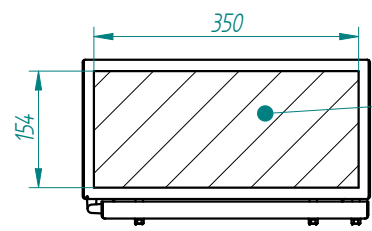
*Mechanical area/
Zone d'usinage/
Zona mecanizado*




*Mechanical area/
Zone d'usinage/
Zona mecanizado*

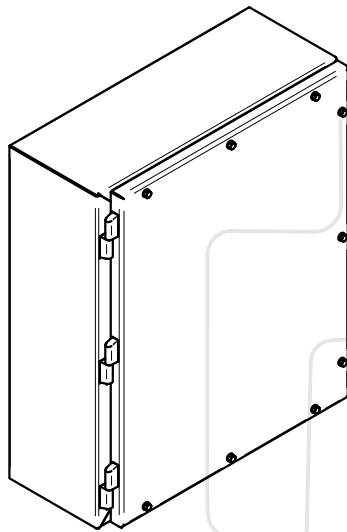
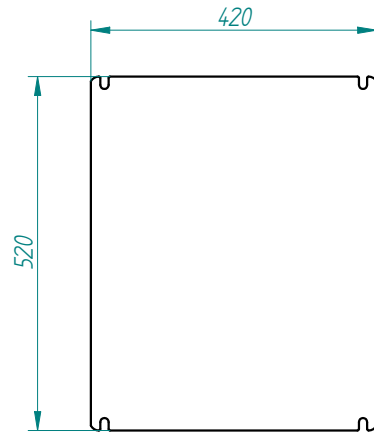


*Mechanical area/
Zone d'usinage/
Zona mecanizado*

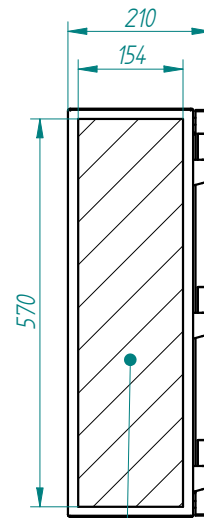
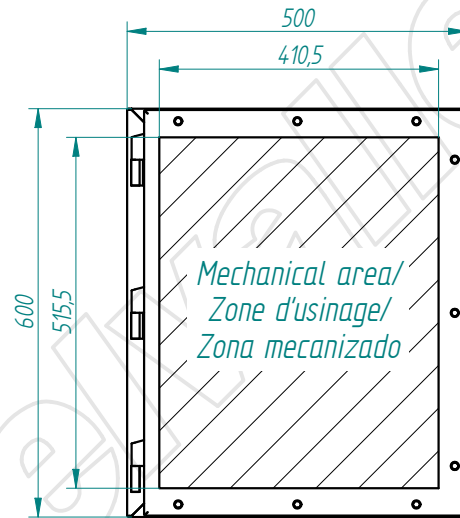
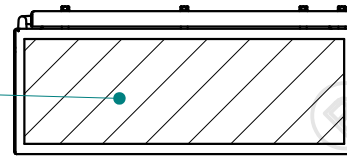
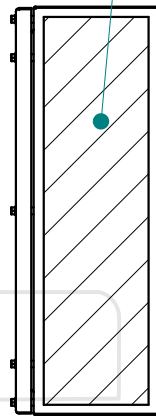


TOLERANCIA GENERAL DE MECANIZACION según DIN 7168	Creación del documento	30/04/2015	D.MTNEZ	A	Referencia: MVAB000000/67	DIBUJADO: 30/04/2015	FECHA: 30/04/2015	FIRMA: D.Martínez	 N° PLANO: AB/67-00 a
	MODIFICACIONES	FECHA:	FIRMA:	REVISIÓN:	- plegado: acabado:	DESIGNACIÓN: LUXOR IP67-600x380x210-estandar	APROBADO: 30/04/2015	FIRMA: D.Martínez	

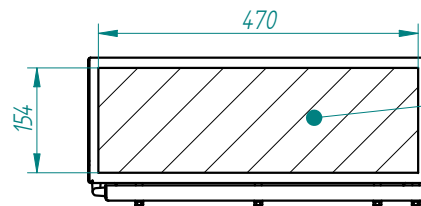
This present document and its contents are confidential, and are the exclusive intellectual and / or industrial property of DELVALLE. In addition to any technology, design, invention, work, process, know-how, calculation, manual, method, solution, idea, improvement, drawing, diagram, modification, contribution and, in short, any associated information or documentation involving industrial or intellectual property developed or supplied by DELVALLE on the occasion of the quote, order execution or incorporated into the design or operation of the supply. The recipient may not use such property in his favour or in that of a third party for purposes other than the fulfilment of the order and the operation and maintenance of the supply, without the prior written consent of DELVALLE. It is strictly forbidden to totally or partially reproduce this document and to misuse it and / or to show it to third parties. The infringing parties shall be required to pay the corresponding compensation for damages, and any other legal or criminal responsibility if the infringement may give rise to.



Mechanical area/
Zone d'usinage/
Zona mecanizado



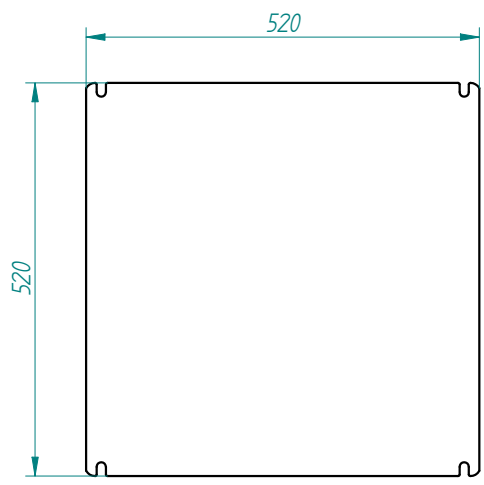
Mechanical area/
Zone d'usinage/
Zona mecanizado



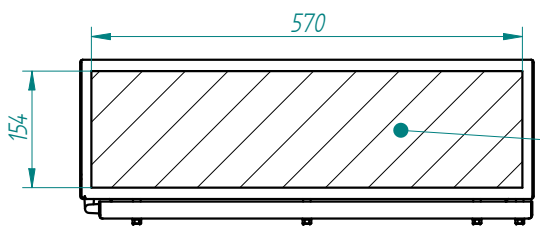
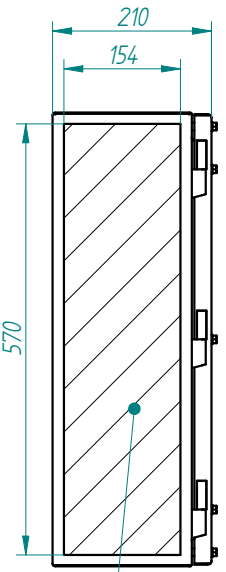
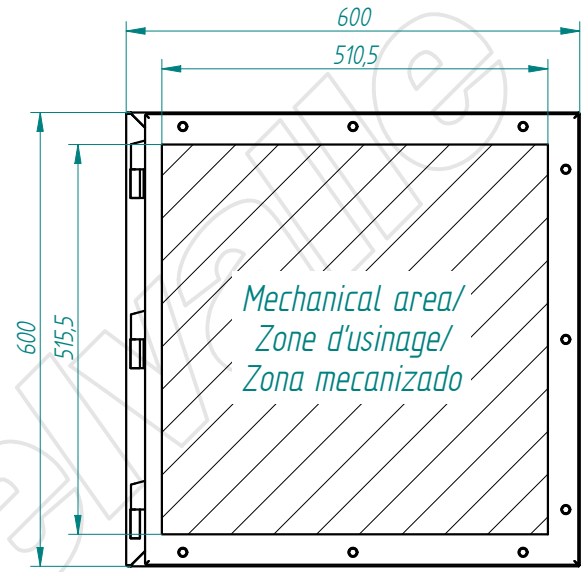
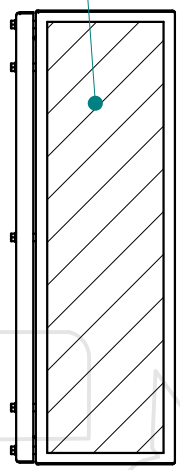
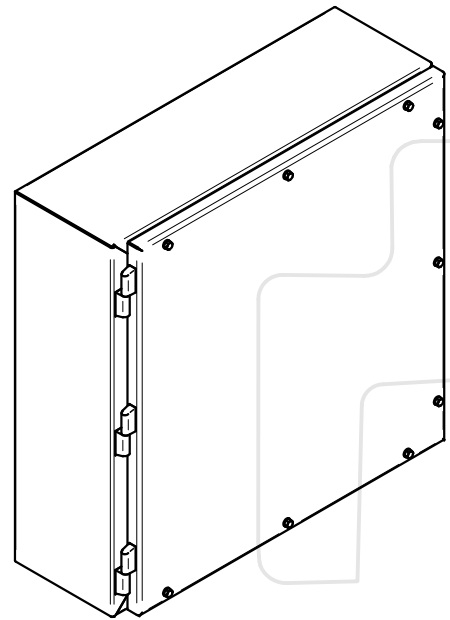
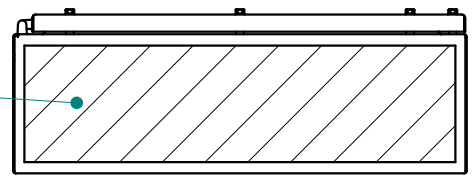
TOLERANCIA GENERAL DE MECANIZACION segun DIN 7168	Creación del documento	30/04/2015	D.MTNEZ	A	Referencia: MVAB000000/67 - plegado: acabado.	DIBUJADO:	30/04/2015	FIRMA: D.Martinez
	MODIFICACIONES	FECHA:	FIRMA:	REVISIÓN:		APROBADO:	30/04/2015	D.Martinez
						DESIGNACIÓN:	LUXOR IP67-600x500x210-estandar	
								Nº PLANO: AB/67-00 a



This present document and its contents are confidential, and are the exclusive intellectual and / or industrial property of DELVALLE. In addition to any technology, design, invention, work, process, know-how, calculation, manual, method, solution, idea, improvement, drawing, diagram, modification, contribution and, in short, any associated information or documentation involving industrial or intellectual property developed or supplied by DELVALLE on the occasion of the quote, order execution or incorporated into the design or operation of the supply. The recipient may not use such property in his favour or in that of a third party for purposes other than the fulfilment of the order and the operation and maintenance of the supply, without the prior written consent of DELVALLE. It is strictly forbidden to totally or partially reproduce this document and to misuse it and / or to show it to third parties. The infringing parties shall be required to pay the corresponding compensation for damages, and any other legal or criminal responsibility is the infringer's sole responsibility.




Mechanical area/
Zone d'usinage/
Zona mecanizado

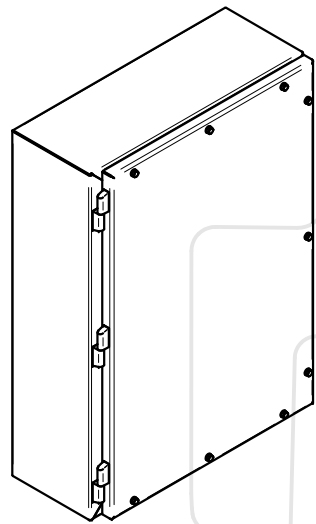
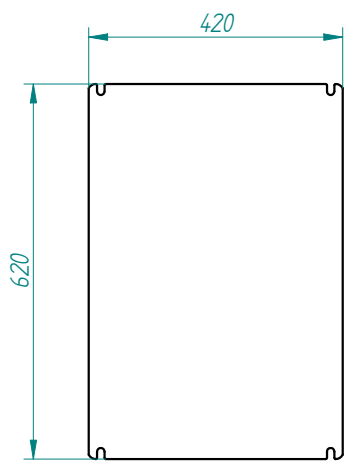


Mechanical area/
Zone d'usinage/
Zona mecanizado

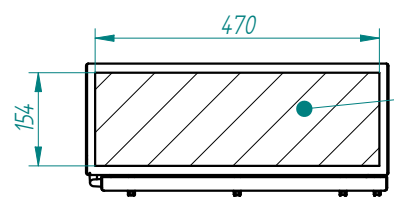
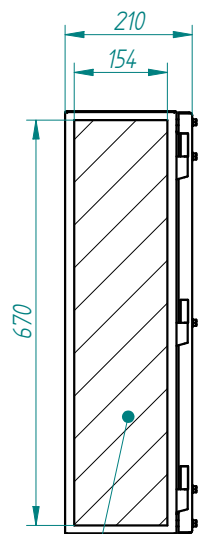
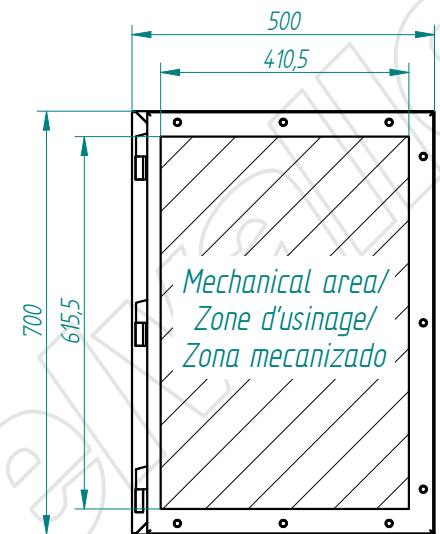
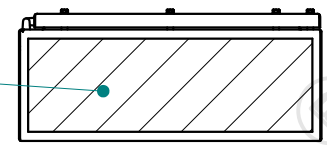
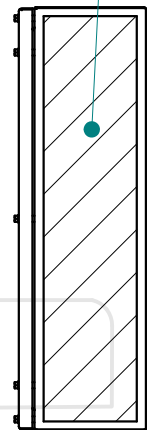


TOLERANCIA GENERAL DE MECANIZACION segun DIN 7168	Creación del documento	30/04/2015	D.MTNEZ	A	Referencia: MVAB000000/67 - plegado: acabado.	DIBUJADO: 30/04/2015	FECHA: 30/04/2015	FIRMA: D.Martinez	 N° PLANO: AB/67-00 a
	MODIFICACIONES	FECHA:	FIRMA:	REVISIÓN:		APROBADO: 30/04/2015	DESIGNACIÓN: LUXOR IP67-600x600x210-estandar		

This present document and its contents are confidential, and are the exclusive intellectual and / or industrial property of DELVALLE. In addition to any technology, design, invention, work, process, know-how, calculation, method, solution, idea, improvement, drawing, diagram, modification, contribution and, in short, any associated information or documentation involving industrial or intellectual property developed or supplied by DELVALLE on the occasion of the quote, order execution or incorporated into the design or operation of the supply. The recipient may not use such property in his favour or in that of a third party for purposes other than the fulfilment of the order and the operation and maintenance of the supply, without the prior written consent of DELVALLE. It is strictly forbidden to totally or partially reproduce this document and to misuse it and / or to show it to third parties. The infringing parties shall be required to pay the corresponding compensation for damages, and any other legal or criminal responsibility is the infringement may give rise to.




Mechanical area/
Zone d'usage/
Zona mecanizado

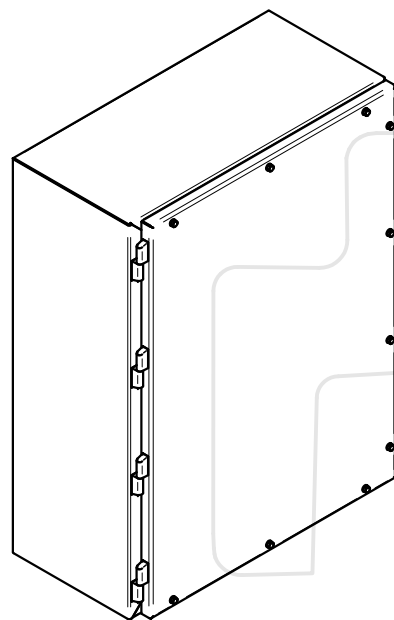
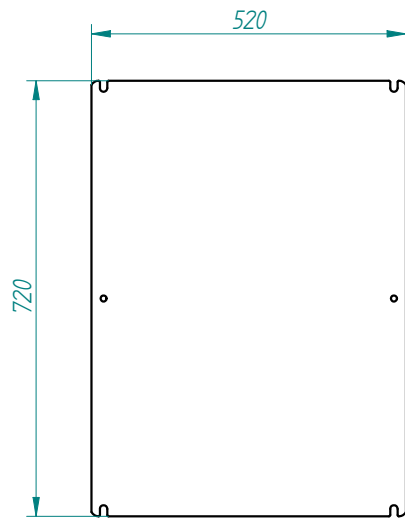


Mechanical area/
Zone d'usage/
Zona mecanizado

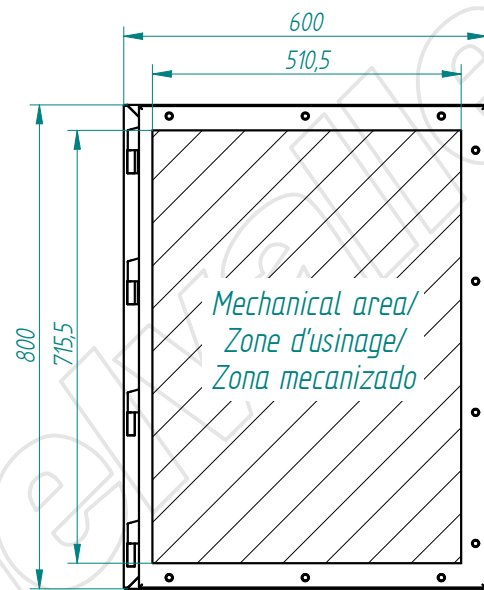
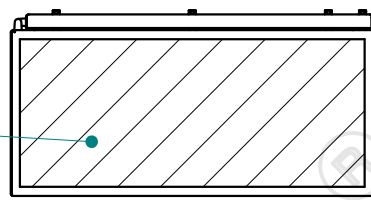
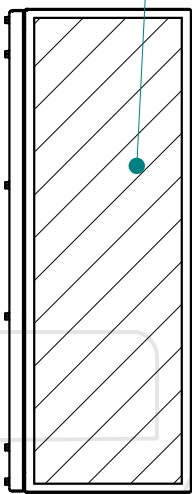


TOLERANCIA GENERAL DE MECANIZACION segun DIN 7168	Creación del documento	30/04/2015	D.MTNEZ	A	Referencia: MVAB000000/67 - plegado: acabado.	DIBUJADO: 30/04/2015	FECHA: 30/04/2015	FIRMA: D.Martinez	 Nº PLANO: AB/67-00 a
	MODIFICACIONES	FECHA:	FIRMA:	REVISIÓN:		DESIGNACIÓN: LUXOR IP67-700x500x210-estandar			

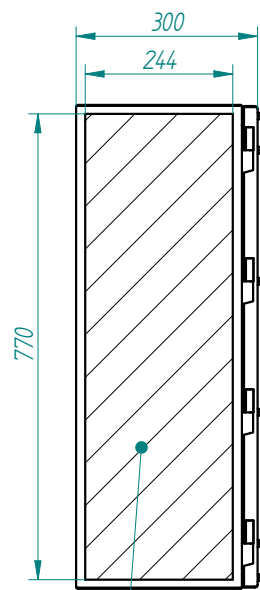
This present document and its contents are confidential, and are the exclusive intellectual and / or industrial property of DELVALLE. In addition to any technology, design, invention, work, process, know-how, calculation, manual, method, solution, idea, improvement, drawing, diagram, modification, contribution and, in short, any associated information or documentation involving industrial or intellectual property developed or supplied by DELVALLE on the occasion of the quote, order execution or incorporated into the design or operation of the supply. The recipient may not use such property in his favour or in that of a third party for purposes other than the fulfilment of the order and the operation and maintenance of the supply, without the prior written consent of DELVALLE. It is strictly forbidden to totally or partially reproduce this document and to misuse it and / or to show it to third parties. The infringing parties shall be required to pay the corresponding compensation for damages, and any other legal or criminal responsibility if the infringement may give rise to.



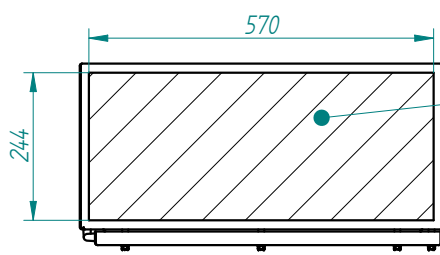
Mechanical area/
Zone d'usage/
Zona mecanizado




Mechanical area/
Zone d'usage/
Zona mecanizado

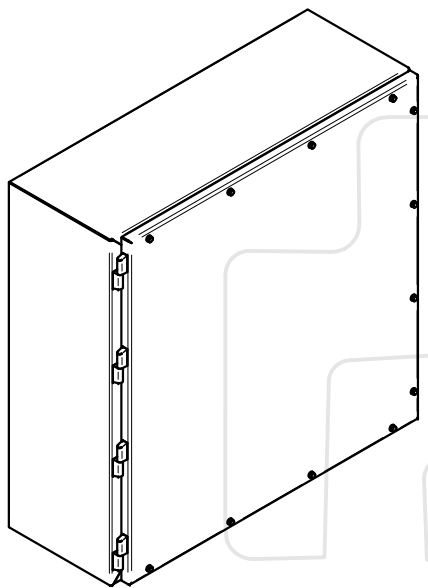
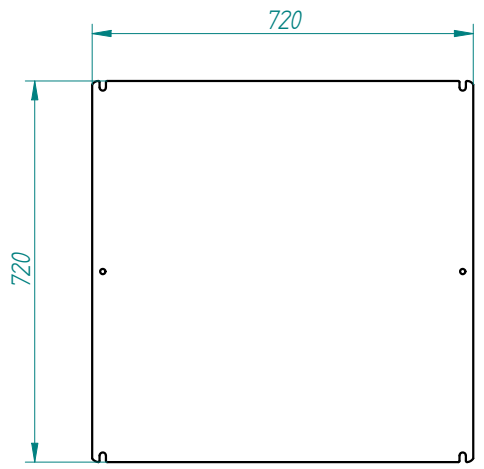


Mechanical area/
Zone d'usage/
Zona mecanizado

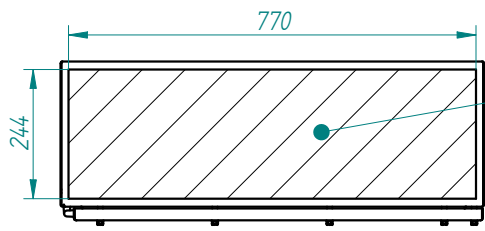
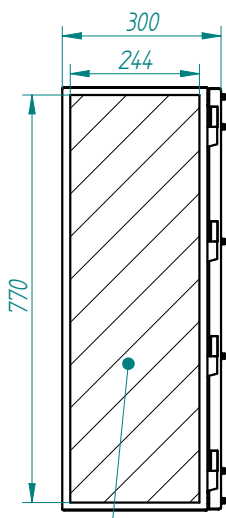
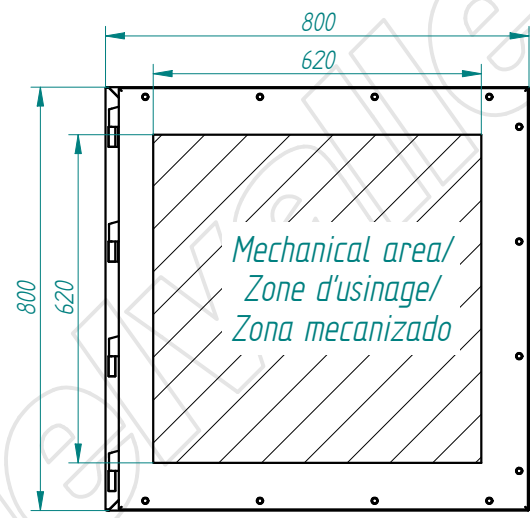
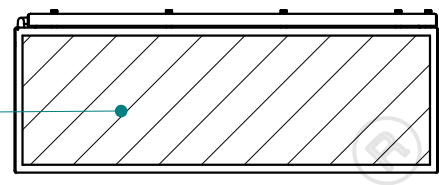
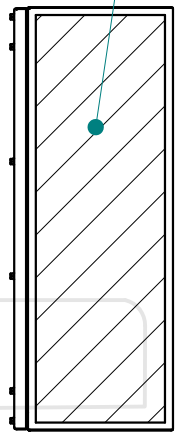


TOLERANCIA GENERAL DE MECANIZACION segun DIN 7168	Creación del documento	30/04/2015	D.MTNEZ	A	Referencia: MVAB000000/67	DIBUJADO: 30/04/2015	FECHA: 30/04/2015	FIRMA: D.Martinez	 N° PLANO: AB/67-00 a
	MODIFICACIONES	FECHA:	FIRMA:	REVISIÓN:	- plegado: acabado:	DESIGNACIÓN: LUXOR IP67-800x600x300-estandar			

This present document and its contents are confidential, and are the exclusive intellectual and / or industrial property of DELVALLE. In addition to any technology, design, invention, work, process, know-how, calculation, manual, method, solution, idea, improvement, drawing, diagram, modification and, in short, any associated information or documentation involving industrial or intellectual property developed or supplied by DELVALLE on the occasion of the quote, order execution or incorporated into the design or operation of the supply. The recipient may not use such property in his favour or in that of a third party for purposes other than the fulfilment of the order and the operation and maintenance of the supply, without the prior written consent of DELVALLE. It is strictly forbidden to totally or partially reproduce this document and to misuse it and / or to show it to third parties. The infringing parties shall be required to pay the corresponding compensation for damages and any other legal or criminal responsibility. The infringement may give rise to.




Mechanical area/
Zone d'usinage/
Zona mecanizado

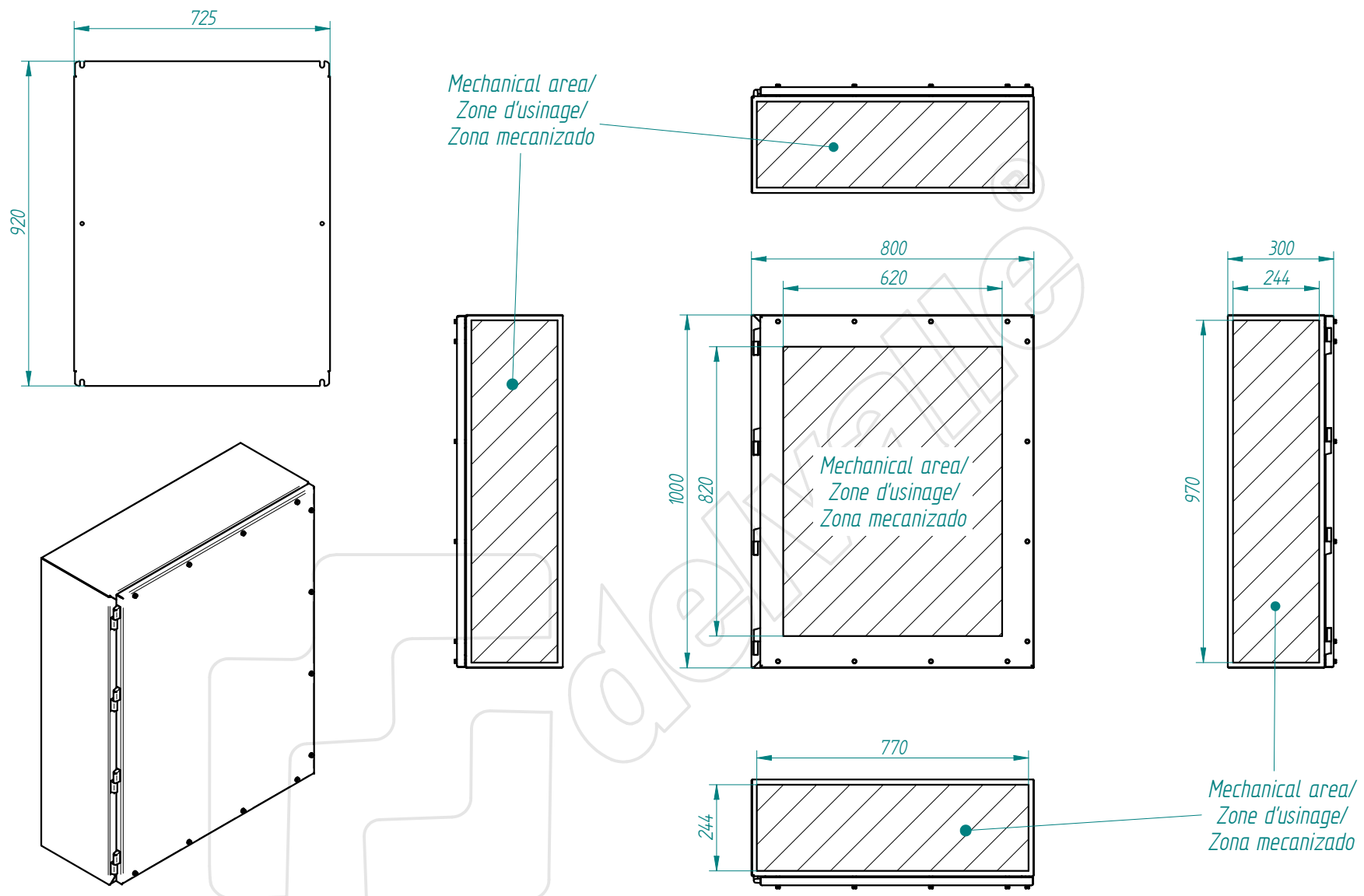


Mechanical area/
Zone d'usinage/
Zona mecanizado



TOLERANCIA GENERAL DE MECANIZACION según DIN 7168	Creación del documento	30/04/2015	D.MTNEZ	A	Referencia: MVAB000000/67	DIBUJADO: 30/04/2015	FECHA: 30/04/2015	FIRMA: D.Martinez	 N° PLANO: AB/67-00 a
	MODIFICACIONES	FECHA:	FIRMA:	REVISIÓN:	- plegado: acabado:	DESIGNACIÓN: LUXOR IP67-800x800x300-estandar			

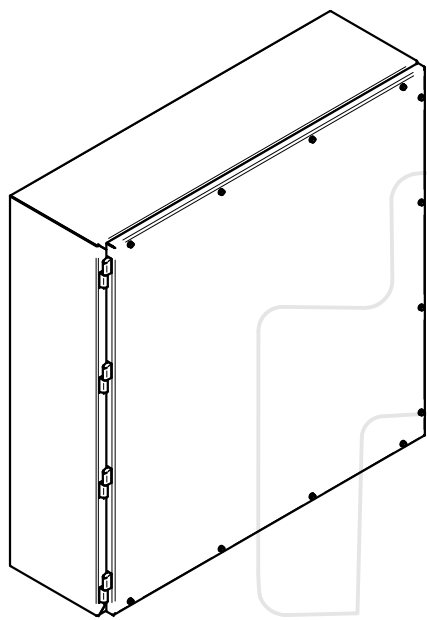
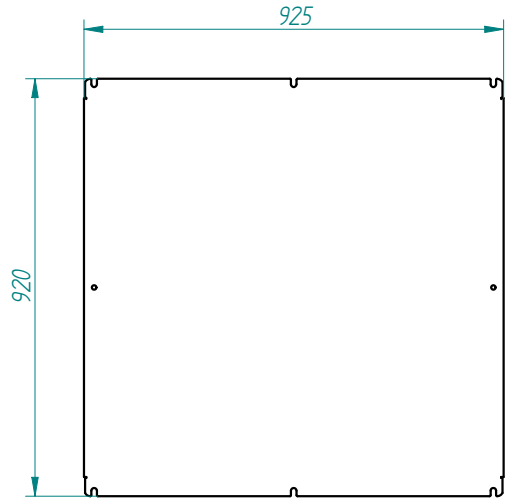
This present document and its contents are confidential, and are the exclusive intellectual and / or industrial property of DELVALLE... in addition to any technology, design, invention, work, process, know-how, calculation, manual, method, solution, idea, improvement, drawing, diagram, modification and, in short, any associated information or documentation involving industrial or intellectual property developed or supplied by DELVALLE on the occasion of the quote, order execution or incorporated into the design or operation of the supply. The recipient may not use such property in his favour or in that of a third party for purposes other than the fulfilment of the order and the operation and maintenance of the supply, without the prior written consent of DELVALLE. It is strictly forbidden to totally or partially reproduce this document and to misuse it and / or to show it to third parties. The infringing parties shall be required to pay the corresponding compensation for damages and any other legal or criminal responsibility. The infringement may give rise to.



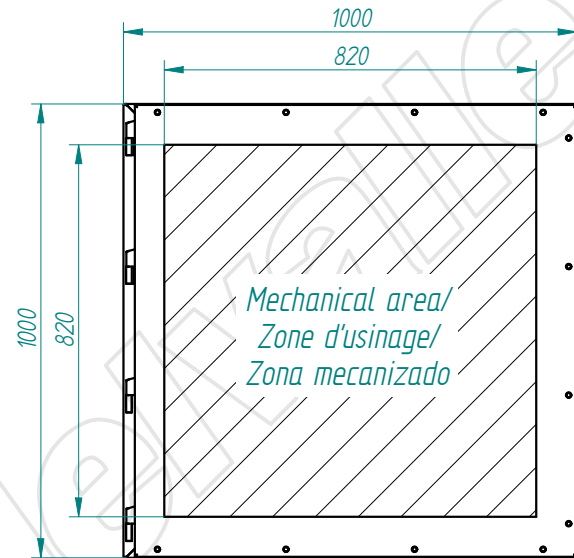
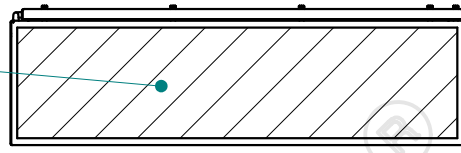
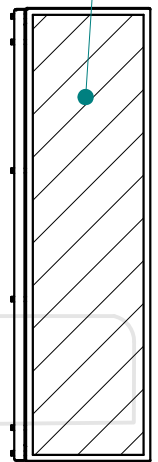
TOLERANCIA GENERAL DE MECANIZACION según DIN 7168	Creación del documento	30/04/2015	D.MTNEZ	A	Referencia: MVAB000000/67 - plegado: acabado:	DIBUJADO:	30/04/2015	FIRMA:	D.Martinez
	MODIFICACIONES	FECHA:	FIRMA:	REVISIÓN:		APROBADO:	30/04/2015	D.Martinez	
						DESIGNACIÓN:	LUXOR IP67-1000x800x300-estandar		
						Nº PLANO:			AB/67-00 a



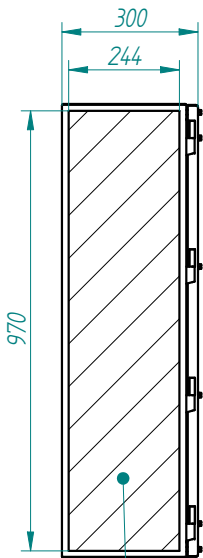
This present document and its contents are confidential, and are the exclusive intellectual and / or industrial property of DELVALLE. In addition to any technology, design, invention, work, process, know-how, calculation, manual, method, solution, idea, improvement, drawing, diagram, modification and, in short, any associated information or documentation involving industrial or intellectual property developed or supplied by DELVALLE on the occasion of the quote, order execution or incorporated into the design or operation of the supply. The recipient may not use such property in his favour or in that of a third party for purposes other than the fulfilment of the order and the operation and maintenance of the supply, without the prior written consent of DELVALLE. It is strictly forbidden to totally or partially reproduce this document and to misuse it and / or to show it to third parties. The infringing parties shall be required to pay the corresponding compensation for damages and any other legal or criminal responsibilities. The infringement may give rise to.



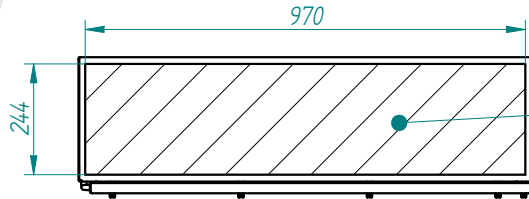
Mechanical area/
Zone d'usinage/
Zona mecanizado



Mechanical area/
Zone d'usinage/
Zona mecanizado

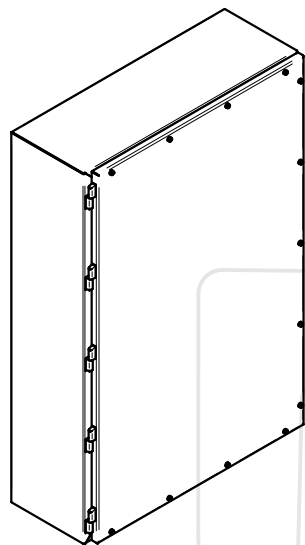
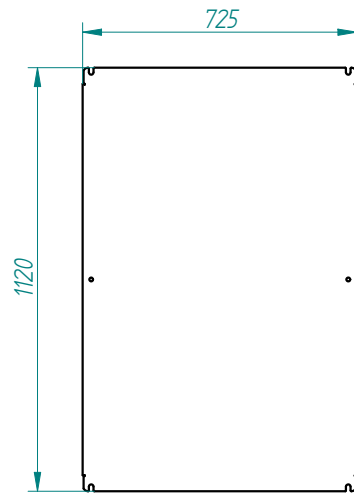


Mechanical area/
Zone d'usinage/
Zona mecanizado

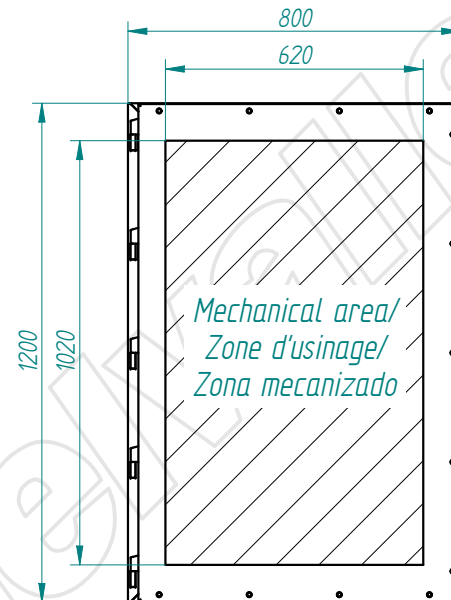
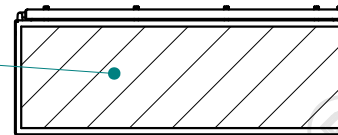
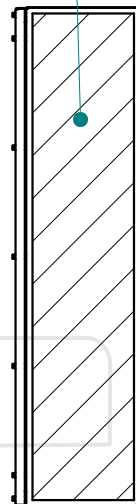


TOLERANCIA GENERAL DE MECANIZACION según DIN 7168	Creación del documento	30/04/2015	D.MTNEZ	A	Referencia: MVAB000000/67 - plegado: acabado:	DIBUJADO:	30/04/2015	FIRMA: D.Martínez	
	MODIFICACIONES	FECHA:	FIRMA:	REVISIÓN:		APROBADO:	30/04/2015	D.Martínez	
						DESIGNACIÓN:	LUXOR IP67-1000x1000x300-estandar		

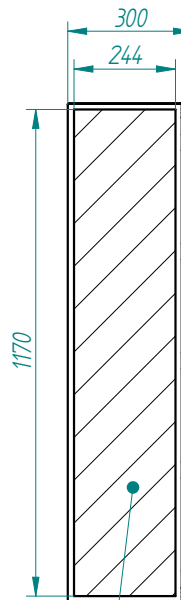
This present document and its contents are confidential, and are the exclusive intellectual and / or industrial property of DELVALLE. In addition to any technology, design, invention, work, process, know-how, calculation, manual, method, solution, idea, improvement, drawing, diagram, modification, contribution and, in short, any associated information or documentation involving industrial or intellectual property developed or supplied by DELVALLE on the occasion of the quote, order execution or incorporated into the design or operation of the supply. The recipient may not use such property in his favour or in that of a third party for purposes other than the fulfilment of the order and the operation and maintenance of the supply, without the prior written consent of DELVALLE. It is strictly forbidden to totally or partially reproduce this document and to misuse it and / or to show it to third parties. The infringing parties shall be required to pay the corresponding compensation for damages, and any other legal or criminal responsibility if the infringement may give rise to.



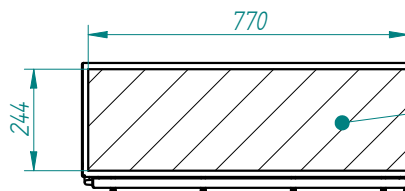
Mechanical area/
Zone d'usage/
Zona mecanizado




Mechanical area/
Zone d'usage/
Zona mecanizado

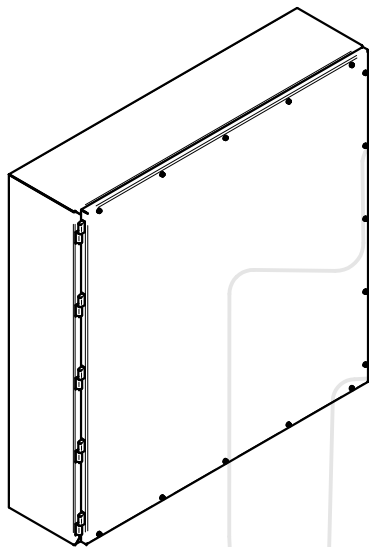
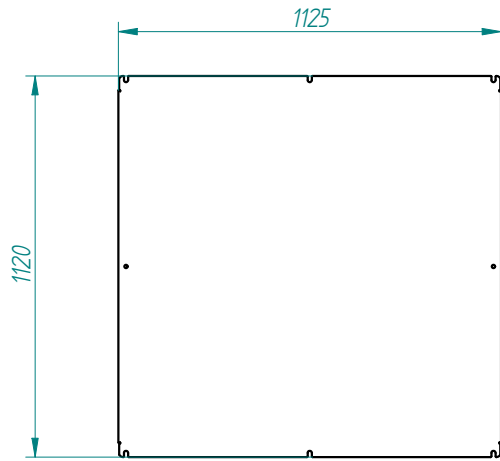


Mechanical area/
Zone d'usage/
Zona mecanizado

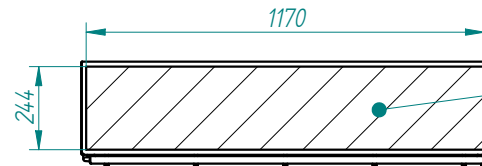
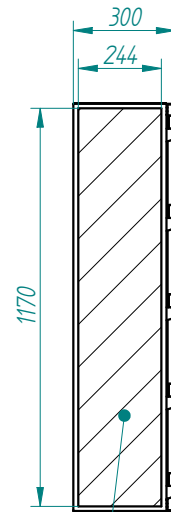
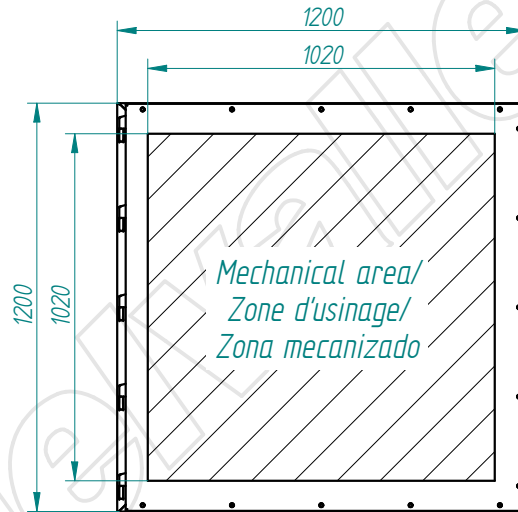
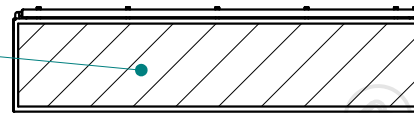
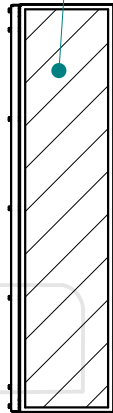


TOLERANCIA GENERAL DE MECANIZACION segun DIN 7168	Creación del documento	30/04/2015	D.MTNEZ	A	Referencia: MVAB000000/67 - plegado: acabado.	DIBUJADO: 30/04/2015	FECHA: 30/04/2015	FIRMA: D.Martinez	 N° PLANO: AB/67-00 a
	MODIFICACIONES	FECHA:	FIRMA:	REVISIÓN:		DESIGNACIÓN: LUXOR IP67-1200x800x300-estandar			

This present document and its contents are confidential, and are the exclusive intellectual and / or industrial property of DELVALLE. In addition to any technology, design, invention, work, process, know-how, calculation, manual, method, solution, idea, improvement, drawing, diagram, modification, contribution and, in short, any associated information or documentation involving industrial or intellectual property developed or supplied by DELVALLE on the occasion of the quote, order execution or incorporated into the design or operation of the supply. The recipient may not use such property in his favour or in that of a third party for purposes other than the fulfilment of the order and the operation and maintenance of the supply, without the prior written consent of DELVALLE. It is strictly forbidden to totally or partially reproduce this document and to misuse it and / or to show it to third parties. The infringing parties shall be required to pay the corresponding compensation for damages, and any other legal or criminal responsibilities. The infringement may give rise to.




Mechanical area/
Zone d'usinage/
Zona mecanizado



Mechanical area/
Zone d'usinage/
Zona mecanizado



TOLERANCIA GENERAL DE MECANIZACION según DIN 7168	Creación del documento	30/04/2015	D.MTNEZ	A	Referencia: MVAB000000/67 - plegado: acabado:	DIBUJADO: 30/04/2015	FECHA: 30/04/2015	FIRMA: D.Martinez	 Nº PLANO: AB/67-00 a
	MODIFICACIONES	FECHA:	FIRMA:	REVISIÓN:		DESIGNACIÓN: LUXOR IP67-1200x1200x300-estandar			