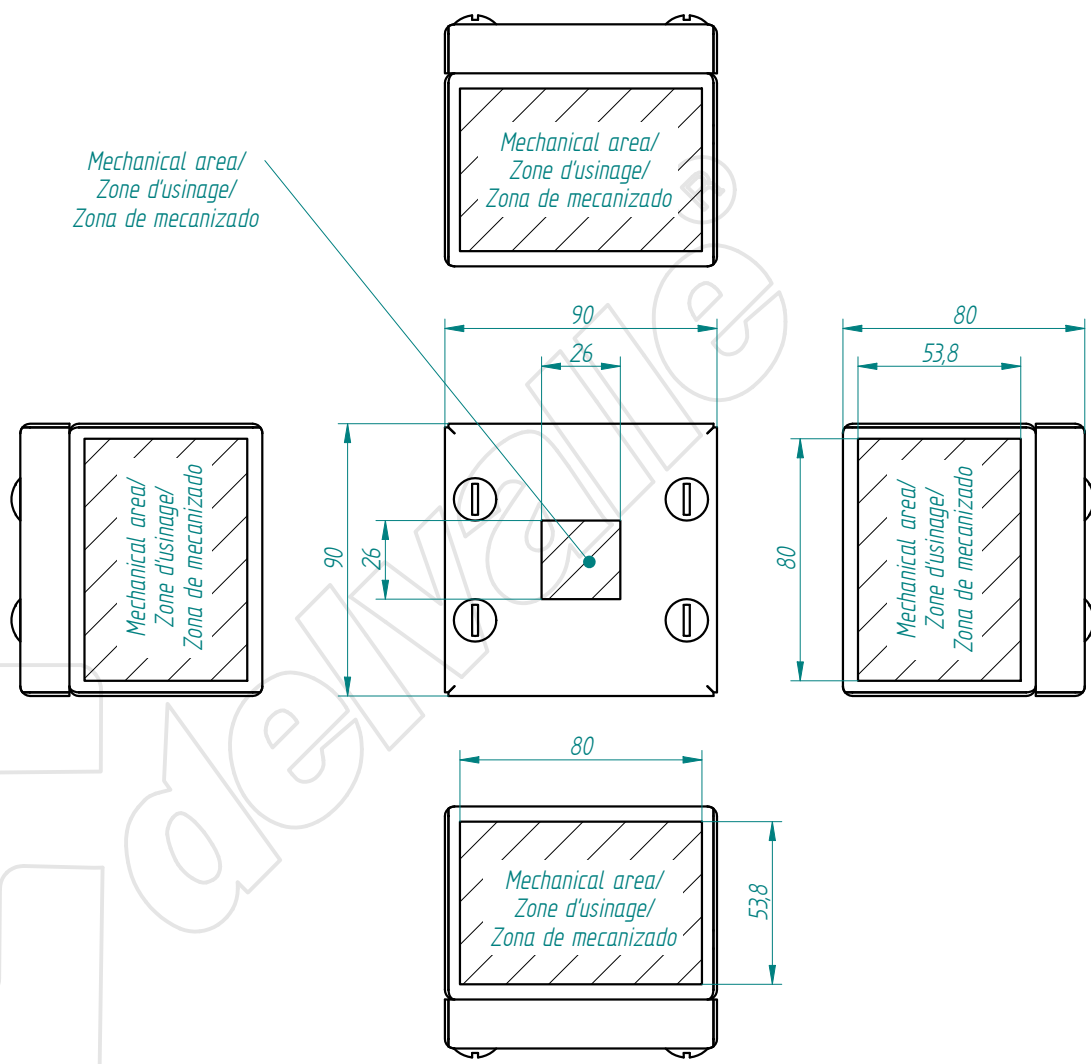
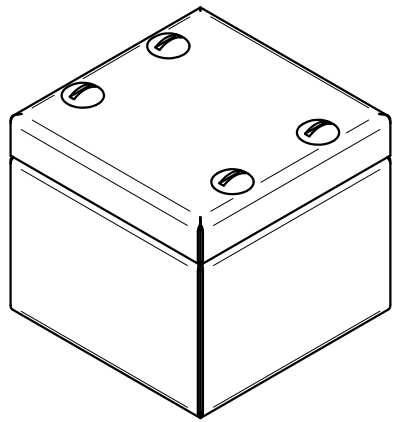

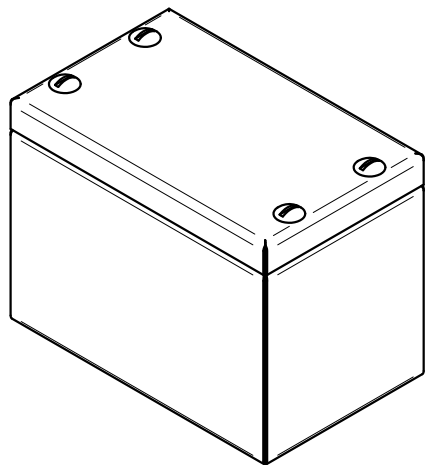


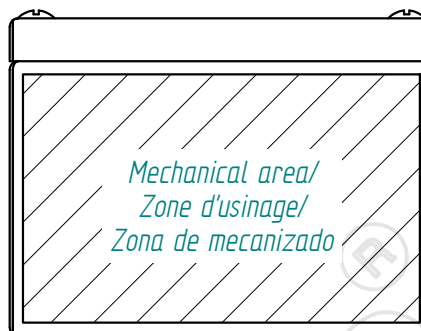
This present document and its contents are confidential, and are the exclusive intellectual and / or industrial property of DELVALLE. In addition to any technology, design, invention, work, process, know-how, calculation, manual, method, solution, idea, improvement, drawing, diagram, modification, contribution and, in short, any associated information or documentation involving industrial or intellectual property developed or supplied by DELVALLE on the occasion of the quote, order execution or incorporated into the design or operation of the supply. The recipient may not use such property in his favour or in that of a third party for purposes other than the fulfilment of the order and the operation and maintenance of the supply, without the prior written consent of DELVALLE. It is strictly forbidden to totally or partially reproduce this document and to misuse it and / or to show it to third parties. The infringing parties shall be required to pay the corresponding compensation for damages, and any other legal or criminal responsibility if the infringement may give rise to.



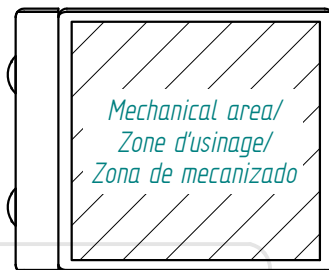
TOLERANCIA GENERAL DE MECANIZACION según DIN 7168					Referencia:		FECHA:	FIRMA:	
					MVEB000000/67		23/04/2015	D.Martínez	
	Creación del documento	23/04/2015	D.MTNEZ	A	-	DESIGNACIÓN:		D.Martínez	Nº PLANO:
	MODIFICACIONES	FECHA:	FIRMA:	REVISIÓN:	plegado: acabado:	GEO IP67-90x90x80-estandar			CB/67-00 a



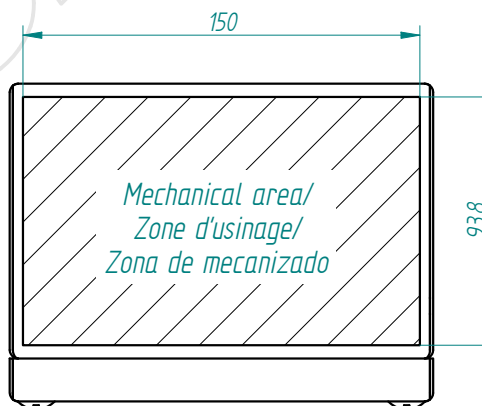
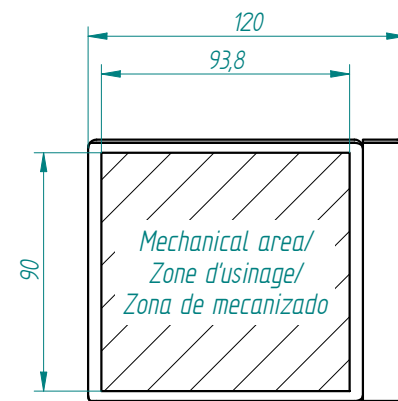
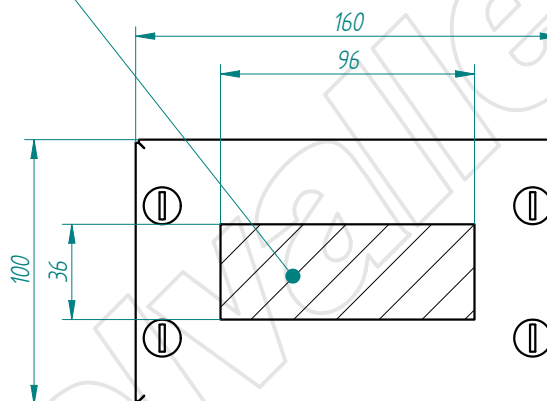
Mechanical area/
Zone d'usinage/
Zona de mecanizado



Mechanical area/
Zone d'usinage/
Zona de mecanizado




Mechanical area/
Zone d'usinage/
Zona de mecanizado



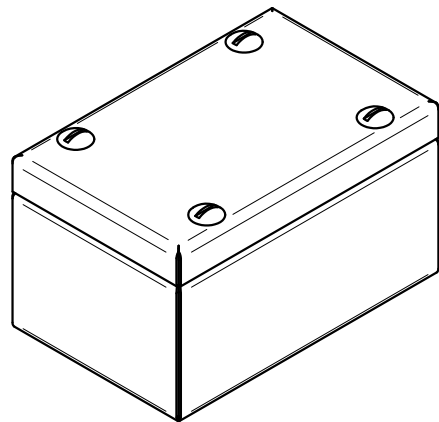
Mechanical area/
Zone d'usinage/
Zona de mecanizado



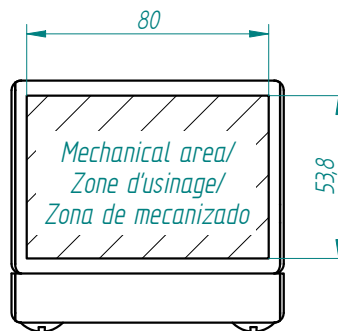
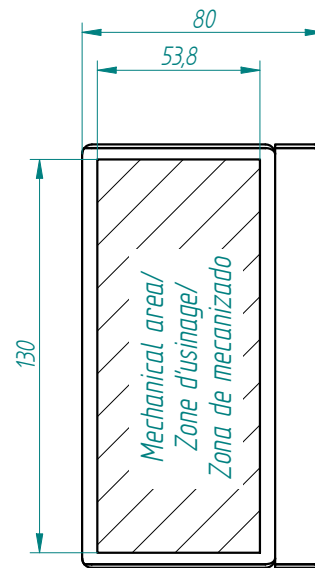
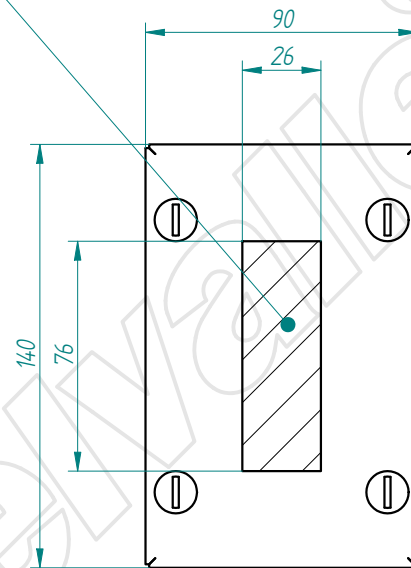
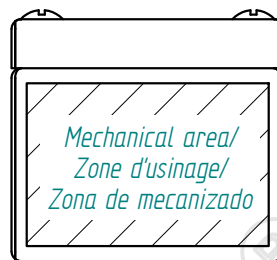
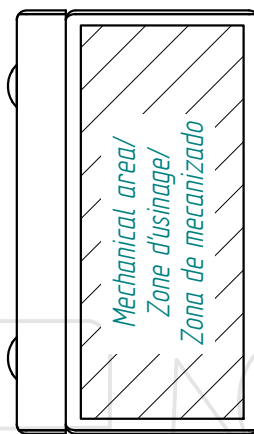
TOLERANCIA GENERAL DE MECANIZACION según DIN 7168	Creación del documento	23/04/2015	D.MTNEZ	A	Referencia: MVEB000000/67 - plegado: acabado.	DIBUJADO: 23/04/2015	FECHA: 23/04/2015	FIRMA: D.Martínez	 N° PLANO: CB/67-00 a
	MODIFICACIONES	FECHA:	FIRMA:	REVISIÓN:		DESIGNACIÓN: GEO IP67-100x160x120-estandar			

This present document and its contents are confidential, and are the exclusive intellectual and / or industrial property of DELVALLE. In addition to any technology, design, invention, work, process, know-how, calculation, manual, method, solution, idea, improvement, drawing, diagram, modification, contribution and, in short, any associated information or documentation involving industrial or intellectual property developed or supplied by DELVALLE on the occasion of the quote, order execution or incorporated into the design or operation of the supply. The recipient may not use such property in his favour or in that of a third party for purposes other than the fulfilment of the order and the operation and maintenance of the supply, without the prior written consent of DELVALLE. It is strictly forbidden to totally or partially reproduce this document and to misuse it and / or to show it to third parties. The infringing parties shall be required to pay the corresponding compensation for damages, and any other legal or criminal, responsible and the infringement may give rise to.

This present document and its contents are confidential, and are the exclusive intellectual and / or industrial property of DEVALLE. In addition to any technology, design, invention, work, process, know-how, calculation, manual, method, solution, idea, improvement, drawing, diagram, modification, contribution and, in short, any associated information or documentation involving industrial or intellectual property developed or supplied by DEVALLE on the occasion of the quote, order execution or incorporated into the design or operation of the supply. The recipient may not use such property in his favour or in that of a third party for purposes other than the fulfilment of the order and the operation and maintenance of the supply, without the prior written consent of DEVALLE. It is strictly forbidden to totally or partially reproduce this document and to misuse it and / or to show it to third parties. The infringing parties shall be required to pay the corresponding compensation for damages, and any other legal or criminal responsibility if the infringement may give rise to.



Mechanical area/
Zone d'usinage/
Zona de mecanizado



TOLERANCIA GENERAL
DE MECANIZACION
segun DIN 7168

Creación del documento	23/04/2015	D.MTNEZ	A
MODIFICACIONES	FECHA:	FIRMA:	REVISIÓN:

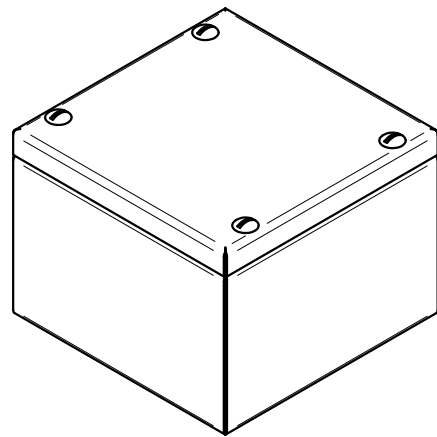
Referencia:
MVEB000000/67
-
plegado:
acabado:

DIBUJADO:	FECHA:	FIRMA:
23/04/2015	23/04/2015	D.Martínez
APROBADO:	23/04/2015	D.Martínez
DESIGNACIÓN: GEO IP67-140x90x80-estandar		

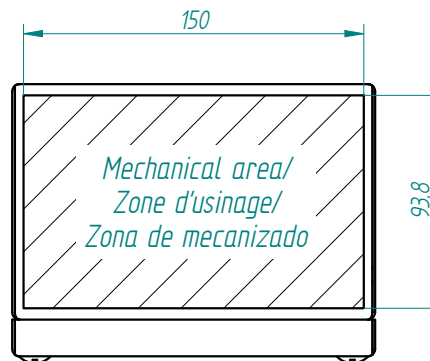
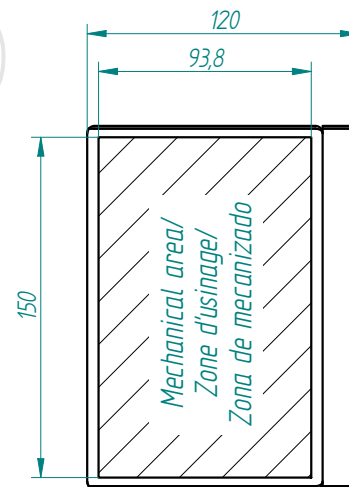
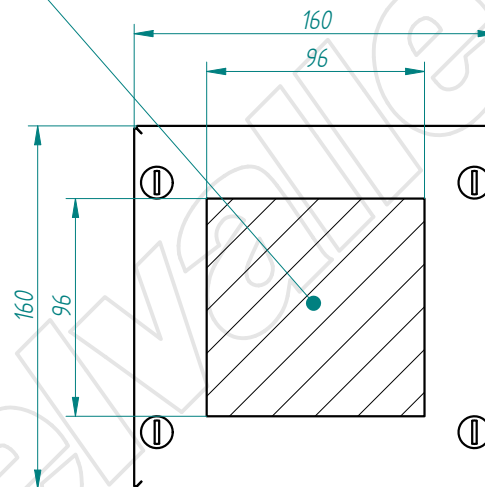
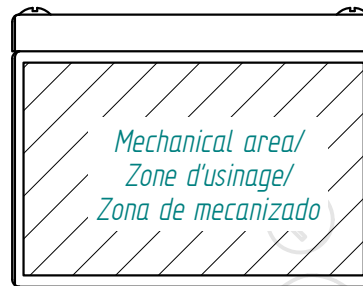
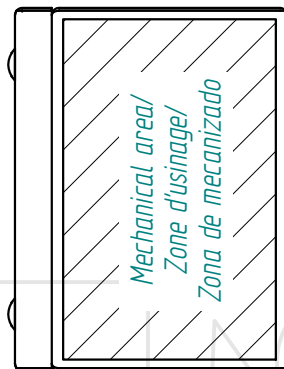
Nº PLANO: <i>CB/67-00 a</i>



This present document and its contents are confidential, and are the exclusive intellectual and / or industrial property of DEVALLE. In addition to any technology, design, invention, work, process, know-how, calculation, manual, method, solution, idea, improvement, drawing, modification, contribution and, in short, any associated information or documentation involving industrial or intellectual property developed or supplied by DEVALLE on the occasion of the quote, order execution or incorporated into the design or operation of the supply. The recipient may not use such property in his favour or in that of a third party for purposes other than the fulfilment of the order and the operation and maintenance of the supply, without the prior written consent of DEVALLE. It is strictly forbidden to totally or partially reproduce this document and to misuse it and / or to show it to third parties. The infringing parties shall be required to pay the corresponding compensation for damages, and any other legal or criminal responsibility is the infringement may give rise to.



Mechanical area/
Zone d'usinage/
Zona de mecanizado



TOLERANCIA GENERAL
DE MECANIZACION
segun DIN 7168

Creación del documento	23/04/2015	D.MTNEZ	A
MODIFICACIONES	FECHA:	FIRMA:	REVISIÓN:

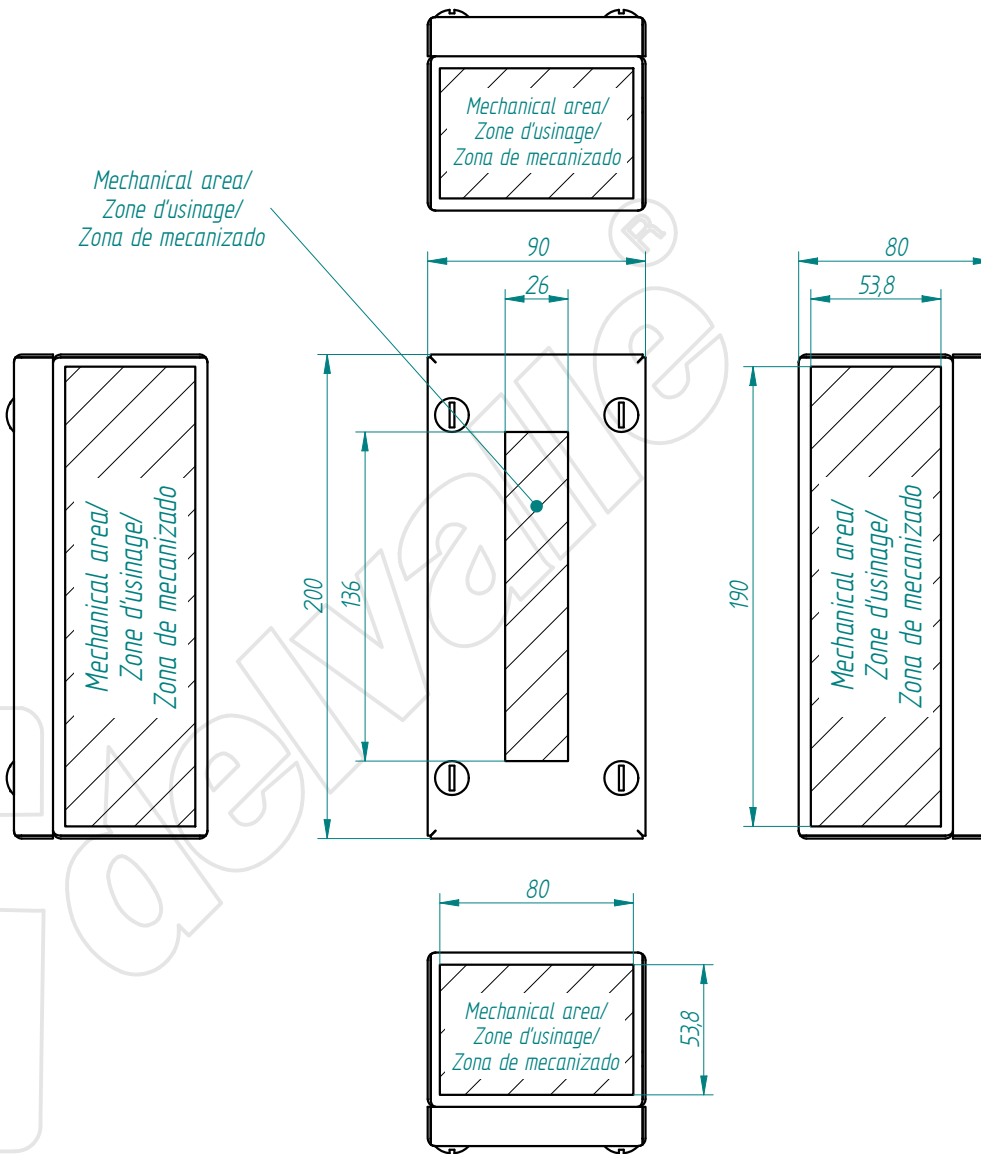
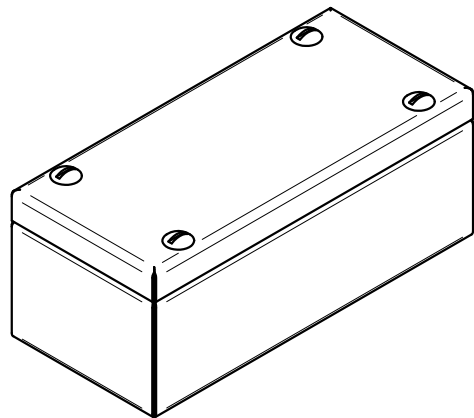
Referencia:
MVEB000000/67
-
plegado:
acabado:


DIBUJADO:	FECHA:	FIRMA:
23/04/2015	D.Martinez	
APROBADO:	23/04/2015	D.Martinez
DESIGNACIÓN: GEO IP67-160x160x120-estandar		

Nº PLANO: <i>CB/67-00 a</i>

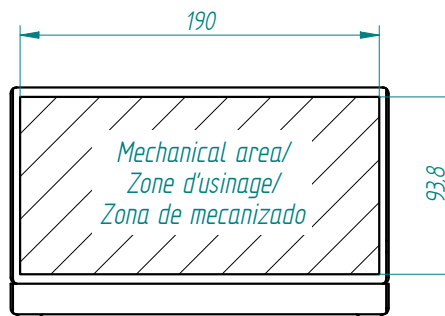
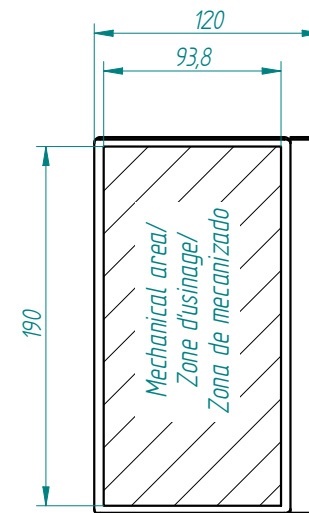
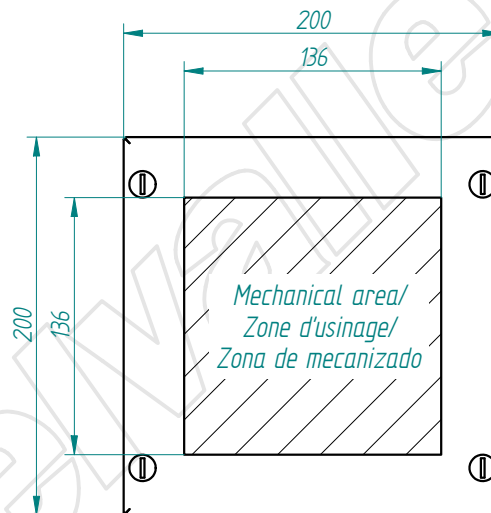
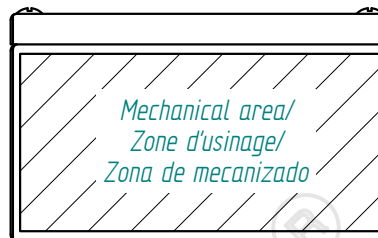
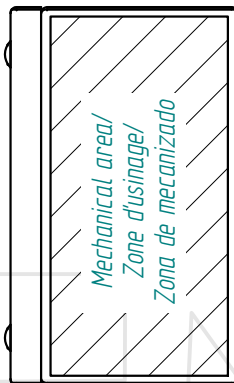
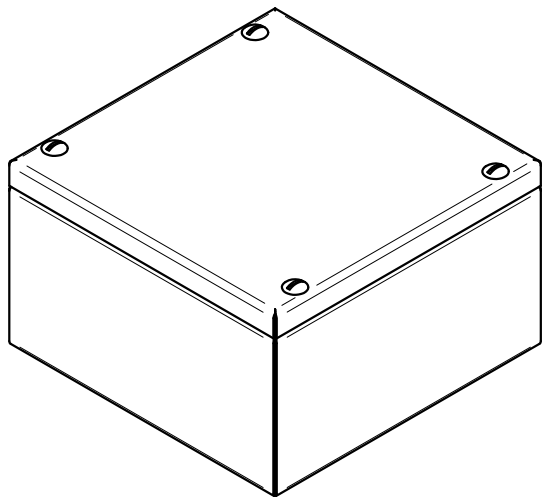



This present document and its contents are confidential, and are the exclusive intellectual and / or industrial property of DEVALLE. In addition to any technology, design, invention, work, process, know-how, calculation, manual, method, solution, idea, improvement, drawing, diagram, modification, contribution and, in short, any associated information or documentation involving industrial or intellectual property developed or supplied by DEVALLE on the occasion of the quote, order execution or incorporated into the design or operation of the supply. The recipient may not use such property in his favour or in that of a third party for purposes other than the fulfilment of the order and the operation and maintenance of the supply, without the prior written consent of DEVALLE. It is strictly forbidden to totally or partially reproduce this document and to misuse it and / or to show it to third parties. The infringing parties shall be required to pay the corresponding compensation for damages, and any other legal or criminal responsibility if the infringement may give rise to.



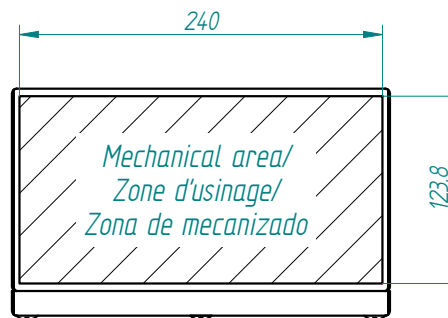
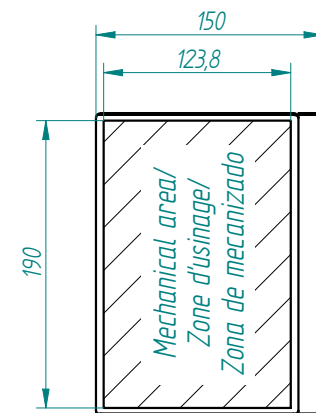
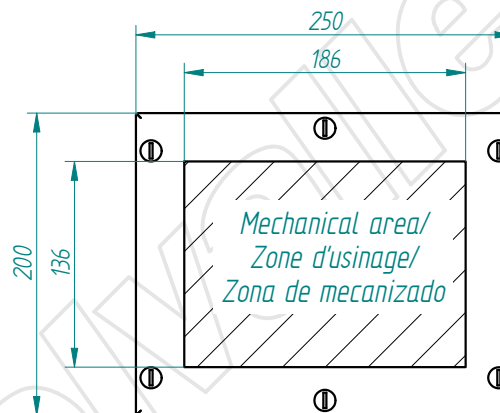
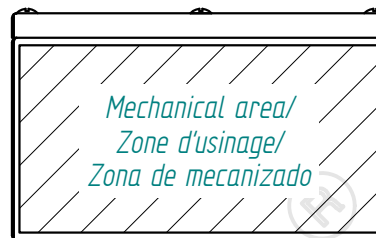
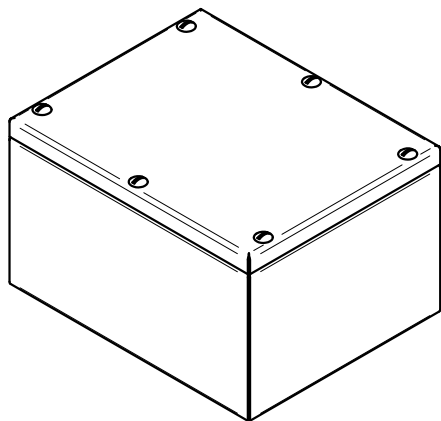
TOLERANCIA GENERAL DE MECANIZACION según DIN 7168	Creación del documento	23/04/2015	D.MTNEZ	A	Referencia: MVEB000000/67 - plegado: acabado:	DIBUJADO: 23/04/2015	FECHA: 23/04/2015	FIRMA: D.Martinez	 N° PLANO: CB/67-00 a
	MODIFICACIONES	FECHA:	FIRMA:	REVISIÓN:		DESIGNACIÓN: GEO IP67-200x90x80-estandar			


This present document and its contents are confidential, and are the exclusive intellectual and / or industrial property of DELVALLE. In addition to any technology, design, invention, work, process, know-how, calculation, manual, method, solution, idea, improvement, drawing, diagram, modification, contribution and, in short, any associated information or documentation involving industrial or intellectual property developed or supplied by DELVALLE on the occasion of the quote, order execution or incorporated into the design or operation of the supply. The recipient may not use such property in his favour or in that of a third party for purposes other than the fulfilment of the order and the operation and maintenance of the supply, without the prior written consent of DELVALLE. It is strictly forbidden to totally or partially reproduce this document and to misuse it and / or to show it to third parties. The infringing parties shall be required to pay the corresponding compensation for damages, and any other legal or criminal responsibility is the infringement may give rise to.



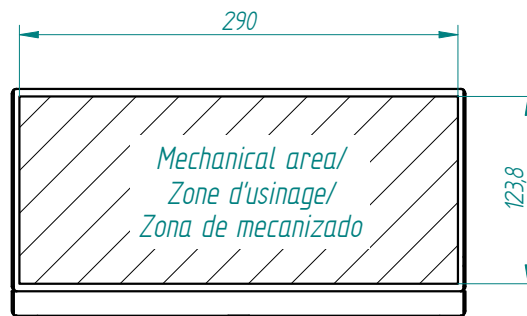
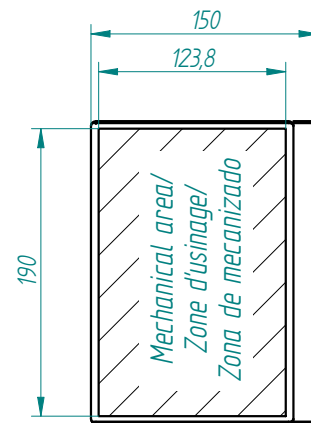
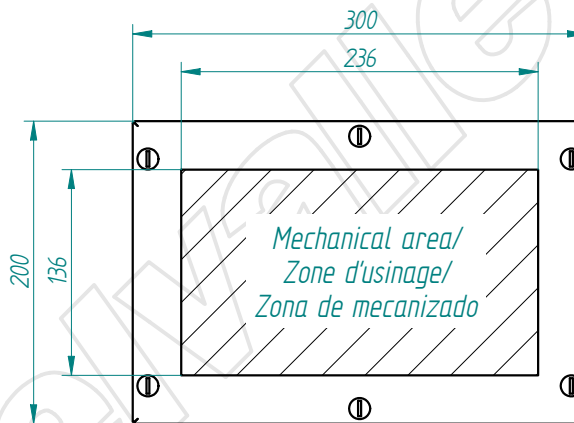
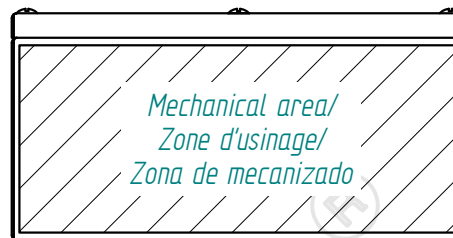
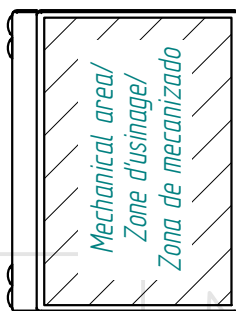
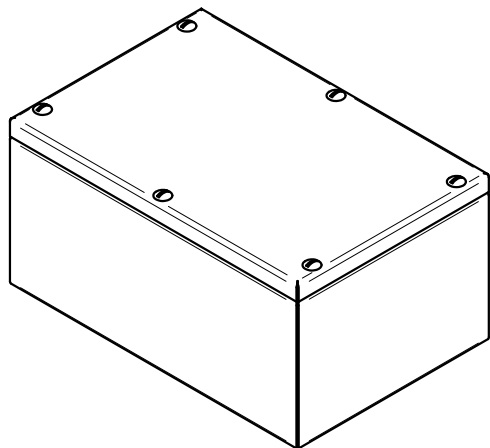
TOLERANCIA GENERAL DE MECANIZACION según DIN 7168	Creación del documento	23/04/2015	D.MTNEZ	A	Referencia: MVEB000000/67 - plegado: - acabado:	DIBUJADO:	23/04/2015	FIRMA:	D.Martínez	 N° PLANO: CB/67-00 a
	MODIFICACIONES	FECHA:	FIRMA:	REVISIÓN:		APROBADO:	23/04/2015	D.Martínez		
DESIGNACIÓN:						GEO IP67-200x200x120-estandar				


This present document and its contents are confidential, and are the exclusive intellectual and / or industrial property of DELVALLE ., in addition to any technology, design, invention, work, process, know-how, calculation, manual, method, solution, idea, improvement, drawing, diagram, modification, contribution and, in short, any associated information or documentation involving industrial or intellectual property developed or supplied by DELVALLE on the occasion of the quote, order execution or incorporated into the design or operation of the supply. The recipient may not use such property in his favour or in that of a third party for purposes other than the fulfilment of the order and the operation and maintenance of the supply, without the prior written consent of DELVALLE. It is strictly forbidden to totally or partially reproduce this document and to misuse it and / or to show it to third parties. The infringing parties shall be required to pay the corresponding compensation for damages, and any other legal or criminal responsibility is the infringement may give rise to.



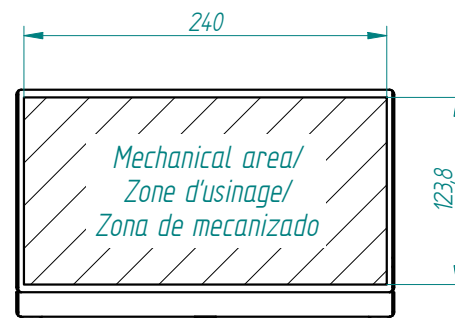
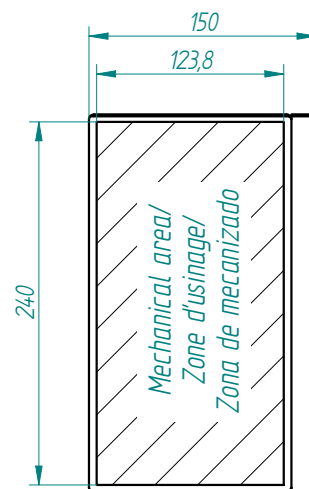
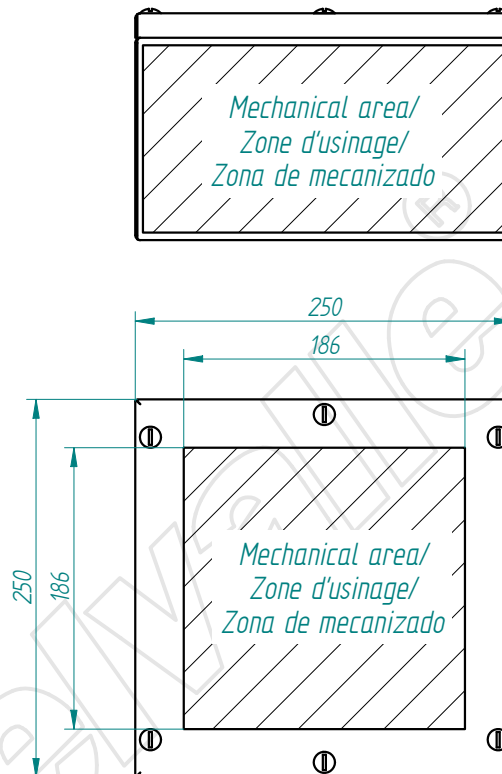
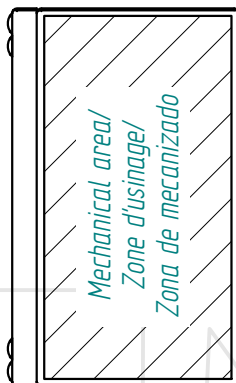
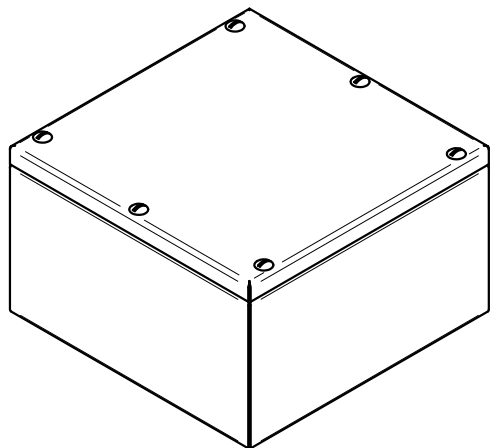
TOLERANCIA GENERAL DE MECANIZACION según DIN 7168					Referencia:		FECHA:	FIRMA:	 Nº PLANO:
					MVEB000000/67		23/04/2015	D.Martínez	
							23/04/2015	D.Martínez	
	Creación del documento	23/04/2015	D.MTNEZ	A	-	DESIGNACIÓN:			Nº PLANO:
	MODIFICACIONES	FECHA:	FIRMA:	REVISIÓN:	plegado: acabado:	GEO IP67-200x250x150-estandar		CB/67-00 a	


This present document and its contents are confidential, and are the exclusive intellectual and / or industrial property of DEVALLE. In addition to any technology, design, invention, work, process, know-how, calculation, manual, method, solution, idea, improvement, drawing, modification, contribution and, in short, any associated information or documentation involving industrial or intellectual property developed or supplied by DEVALLE on the occasion of the quote, order execution or incorporated into the design or operation of the supply. The recipient may not use such property in his favour or in that of a third party for purposes other than the fulfilment of the order and the operation and maintenance of the supply, without the prior written consent of DEVALLE. It is strictly forbidden to totally or partially reproduce this document and to misuse it and / or to show it to third parties. The infringing parties shall be required to pay the corresponding compensation for damages, and any other legal or criminal responsibility is the infringement may give rise to.



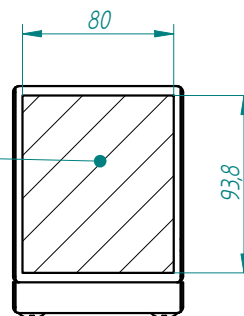
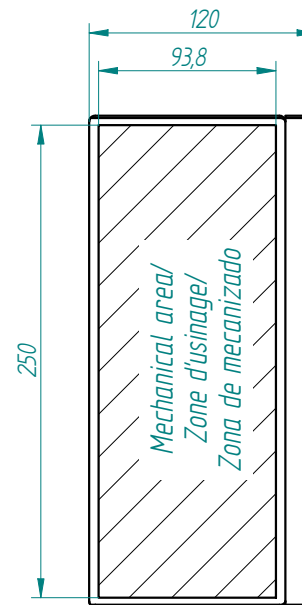
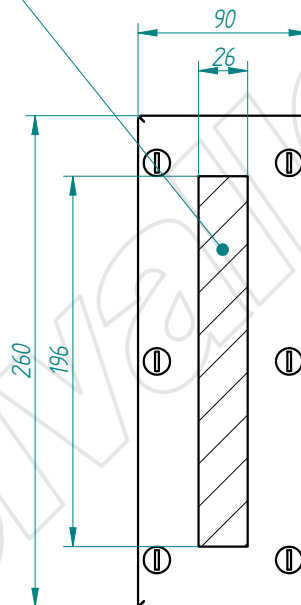
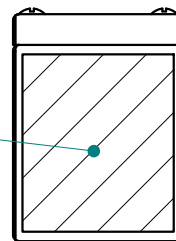
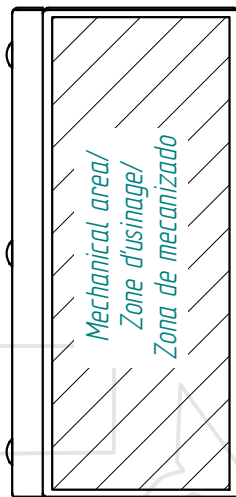
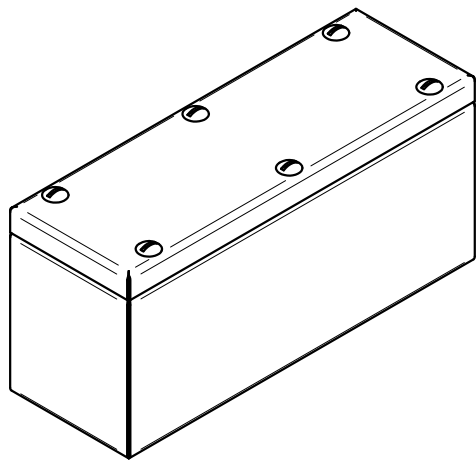
TOLERANCIA GENERAL DE MECANIZACION según DIN 7168	Creación del documento	23/04/2015	D.MTNEZ	A	Referencia: MVEB000000/67 - plegado: acabado:	DIBUJADO: 23/04/2015	FECHA: 23/04/2015	FIRMA: D.Martinez	 N° PLANO: CB/67-00 a
	MODIFICACIONES	FECHA:	FIRMA:	REVISIÓN:		APROBADO: 23/04/2015	DESIGNACIÓN: GEO IP67-200x300x150-estandar		


This present document and its contents are confidential, and are the exclusive intellectual and / or industrial property of DEVALLE. In addition to any technology, design, invention, work, process, know-how, calculation, manual, method, solution, idea, improvement, drawing, diagram, modification, contribution and, in short, any associated information or documentation involving industrial or intellectual property developed or supplied by DEVALLE on the occasion of the quote, order execution or incorporated into the design or operation of the supply. The recipient may not use such property in his favour or in that of a third party for purposes other than the fulfilment of the order and the operation and maintenance of the supply, without the prior written consent of DEVALLE. It is strictly forbidden to totally or partially reproduce this document and to misuse it and / or to show it to third parties. The infringing parties shall be required to pay the corresponding compensation for damages, and any other legal or criminal responsibility is the infringement may give rise to.



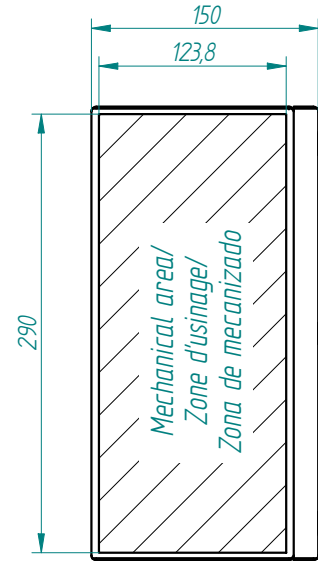
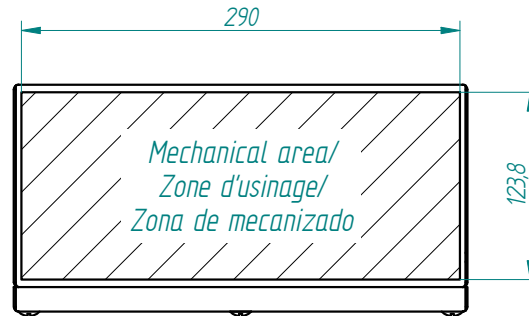
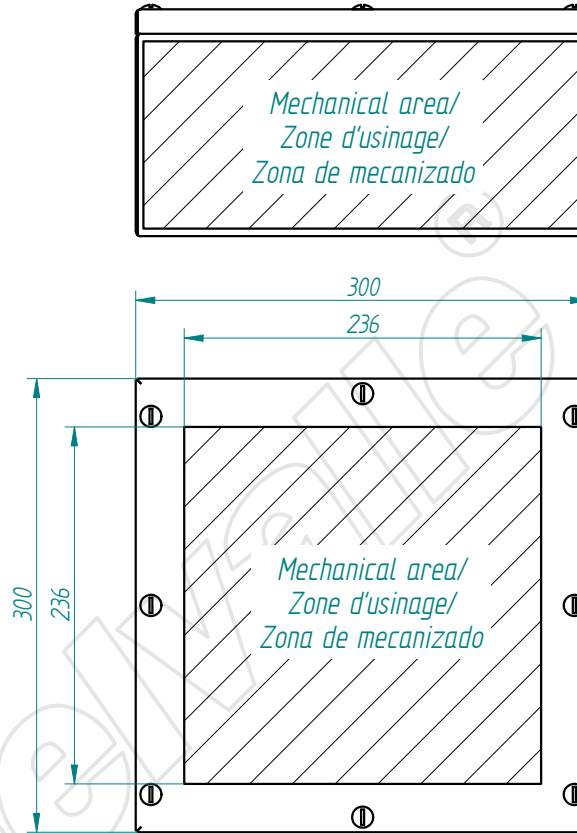
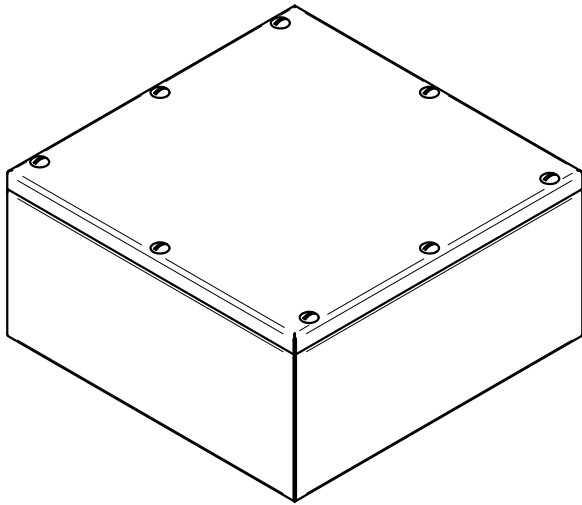
TOLERANCIA GENERAL DE MECANIZACION según DIN 7168	Creación del documento	23/04/2015	D.MTNEZ	A	Referencia: MVEB000000/67 - plegado: acabado.	DIBUJADO: 23/04/2015	FECHA: 23/04/2015	FIRMA: D.Martínez	 Nº PLANO: CB/67-00 a
	MODIFICACIONES	FECHA:	FIRMA:	REVISIÓN:		APROBADO: 23/04/2015	DESIGNACIÓN: GEO IP67-250x250x150-estandar		


This present document and its contents are confidential, and are the exclusive intellectual and / or industrial property of DEVALLE. In addition to any technology, design, invention, work, process, know-how, calculation, manual, method, solution, idea, improvement, drawing, modification, contribution and, in short, any associated information or documentation involving industrial or intellectual property developed or supplied by DEVALLE on the occasion of the quote, order execution or incorporated into the design or operation of the supply, the recipient may not use such property in his favour or in that of a third party for purposes other than the fulfilment of the order and the operation and maintenance of the supply, without the prior written consent of DEVALLE. It is strictly forbidden to totally or partially reproduce this document and to misuse it and / or to show it to third parties. The infringing parties shall be required to pay the corresponding compensation for damages and any other legal or criminal responsibilities. The infringement may give rise to.



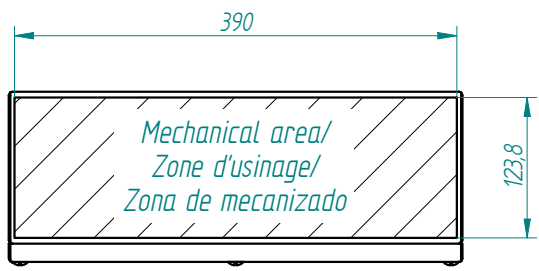
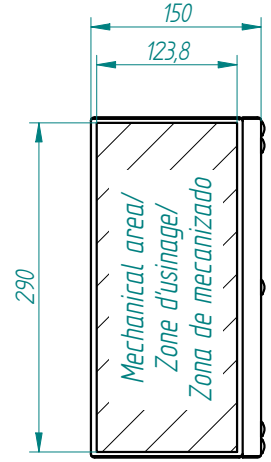
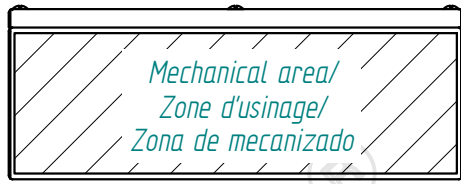
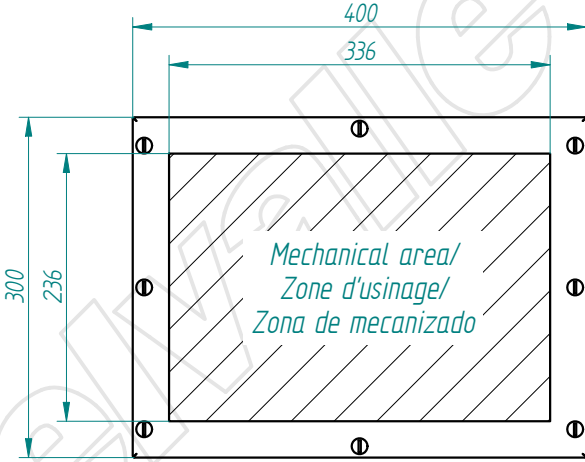
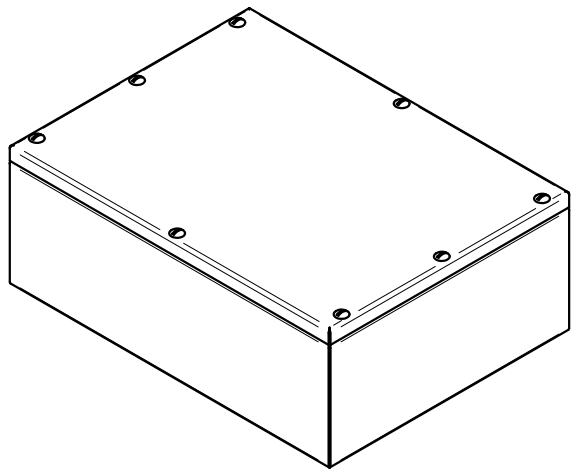
TOLERANCIA GENERAL DE MECANIZACION según DIN 7168	Creación del documento	23/04/2015	D.MTNEZ	A	Referencia: MVEB000000/67	DIBUJADO: 23/04/2015	FECHA: 23/04/2015	FIRMA: D.Martínez	 Nº PLANO: CB/67-00 a
	MODIFICACIONES	FECHA:	FIRMA:	REVISIÓN:	- plegado: acabado:	APROBADO: 23/04/2015 DESIGNACIÓN: GEO IP67-260x90x120-estandar	APROBADO: 23/04/2015 FIRMADO: D.Martínez		

This present document and its contents are confidential, and are the exclusive intellectual and / or industrial property of DEVALLE. In addition to any technology, design, invention, work, process, know-how, calculation, manual, method, solution, idea, improvement, drawing, diagram, modification, contribution and, in short, any associated information or documentation involving industrial or intellectual property developed or supplied by DEVALLE on the occasion of the quote, order execution or incorporated into the design or operation of the supply. The recipient may not use such property in his favour or in that of a third party for purposes other than the fulfilment of the order and the operation and maintenance of the supply, without the prior written consent of DEVALLE. It is strictly forbidden to totally or partially reproduce this document and to misuse it and / or to show it to third parties. The infringing parties shall be required to pay the corresponding compensation for damages, and any other legal or criminal responsibility if the infringement may give rise to.



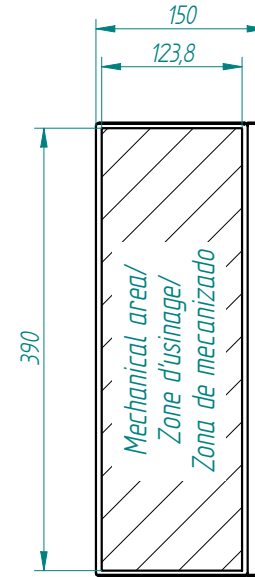
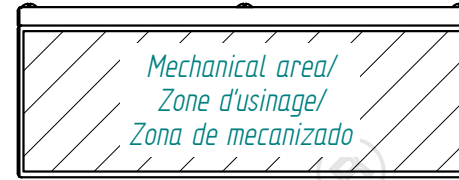
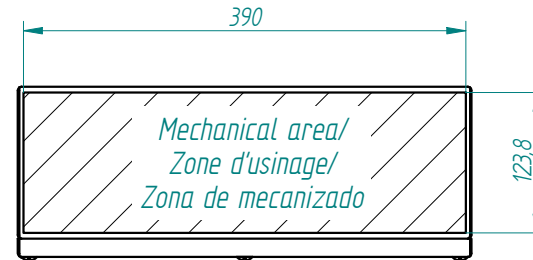
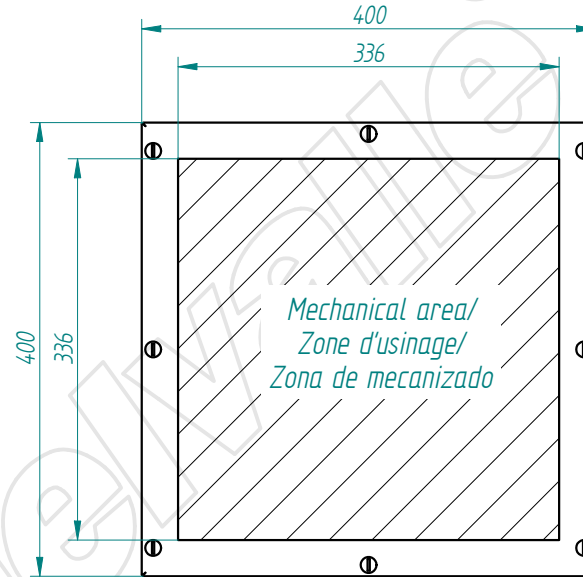
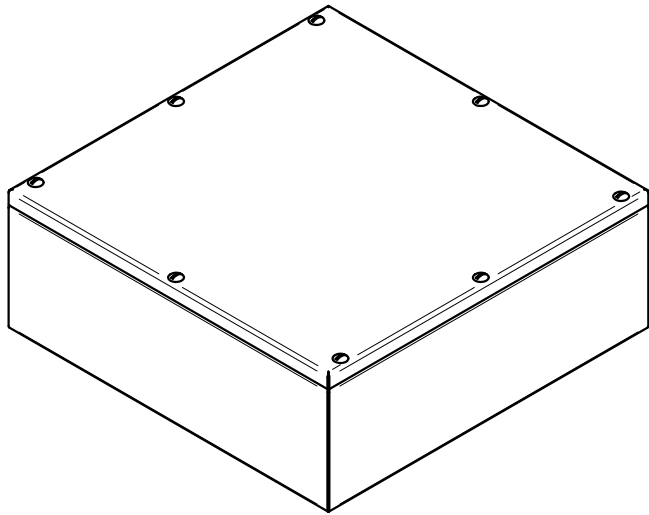
TOLERANCIA GENERAL DE MECANIZACION segun DIN 7168					Referencia:		FECHA:	FIRMA:	
					MVEB000000/67		23/04/2015	D.Martinez	
	Creación del documento	23/04/2015	D.MTNEZ	A	-	DESIGNACIÓN:	Nº PLANO:		
MODIFICACIONES	FECHA:	FIRMA:	REVISIÓN:	plegado: acabado:	GEO IP67-300x300x150-estandar		CB/67-00 a		

This present document and its contents are confidential, and are the exclusive intellectual and / or industrial property of DEVALLE. In addition to any technology, design, invention, work, process, know-how, calculation, manual, method, solution, idea, improvement, drawing, diagram, modification, contribution and, in short, any associated information or documentation involving industrial or intellectual property developed or supplied by DEVALLE on the occasion of the quote, order execution or incorporated into the design or operation of the supply. The recipient may not use such property in his favour or in that of a third party for purposes other than the fulfilment of the order and the operation and maintenance of the supply, without the prior written consent of DEVALLE. It is strictly forbidden to totally or partially reproduce this document and to misuse it and / or to show it to third parties. The infringing parties shall be required to pay the corresponding compensation for damages, and any other legal or criminal responsibility & the infringement may give rise to.



TOLERANCIA GENERAL DE MECANIZACION según DIN 7168					Referencia:		FECHA:	FIRMA:	
					MVEB000000/67		23/04/2015	D.Martínez	
					-		23/04/2015	D.Martínez	
	Creación del documento	23/04/2015	D.MTNEZ	A	plegado: acabado:	DESIGNACIÓN:			Nº PLANO:
	MODIFICACIONES	FECHA:	FIRMA:	REVISIÓN:		GEO IP67-300x400x150-estandar			CB/67-00 a

This present document and its contents are confidential, and are the exclusive intellectual and / or industrial property of DELVALLE, in addition to any technology, design, invention, work, process, know-how, calculation, manual, method, solution, idea, improvement, drawing, diagram, modification, contribution and, in short, any associated information or documentation involving industrial or intellectual property developed or supplied by DELVALLE on the occasion of the quote, order execution or incorporated into the design or operation of the supply. The recipient may not use such property in his favour or in that of a third party for purposes other than the fulfilment of the order and the operation and maintenance of the supply, without the prior written consent of DELVALLE. It is strictly forbidden to totally or partially reproduce this document and to misuse it and / or to show it to third parties. The infringing parties shall be required to pay the corresponding compensation for damages, and any other legal or criminal responsibility is the infringement may give rise to.



TOLERANCIA GENERAL
DE MECANIZACION
segun DIN 7168

Creación del documento	23/04/2015	D.MTNEZ	A
MODIFICACIONES	FECHA:	FIRMA:	REVISIÓN:

Referencia:
MVEB000000/67
-
plegado:
acabado:

DIBUJADO:	FECHA:	FIRMA:
23/04/2015	D.Martinez	
APROBADO:	23/04/2015	D.Martinez
DESIGNACIÓN: GEO IP67-400x400x150-estandar		

Nº PLANO:
CB/67-00 a

