

· WE ARE ·
MANUFACTURERS
CERTIFIED



FIRE RATED ENCLOSURES AND FOR EXTREME TEMPERATURE





Paso del Prao, 6. 01320 Oyón (Álava), Spain
Phone +34 945 601 381
comercial@delvalle.es | www.delvallebox.com



WE PUT AT YOUR DISPOSAL

We offer over **45 years** providing solutions to demanding customers who require very specific characteristics and behaviour according to the sector and their needs.

WHEREVER YOU GO

We are committed to working closely with our customers, providing them with **exceptional service** and offering an advanced and extensive range of products with very competitive prices.

HIGH STANDARD OF QUALITY AND SERVICES

We only use materials provided by companies who offer the very **highest quality**, suitable and certified products. Our success is due to top quality assurance: ISO 9001, SGS, UL, TÜV, ISO 14000 and ISO45001.

CUSTOMIZE TOTALLY YOUR ENCLOSURE

Our production systems can give custom-made solutions **on demand**. Every colour from RAL chart is available to be personalized. A variety of protection standards thanks to our own painting facilities.



100%
*Entirely designed
and manufactured
in Europe*

CONTACT US

Confidentiality, reliability & quality

www.delvallebox.com

comercial@delvalle.es

+34 945 601 381

ALSO ONLINE

Please contact our technical sales department

A team of professionals with high experience and ability to solve all your queries



ELECTRICAL ENCLOSURES FOR EXTREME TEMPERATURE CONDITIONS TARDÍGRADO SERIES



Examples



**From Temperatures of -60 °C
+180°C° and Peaks of up to 350°C**

We design and manufacture electrical cabinets for areas with extreme temperature conditions, both in high temperature +250°C and in low temperature -60°C; ours cabinets are prepared for a high humidity concentration or a very dry environment, with the guarantee that the electrical components will continue operating after many years. They are designed with the tightness required for electrical cabinets (IP66, IP67, and IP68) depending on their location and with the maximum durability to the corrosion, it is possible to use stainless steel AISI 304I or AISI 316L (marine). We have different sizes and customized designs for a junction boxes with screw openings or with revolving door.

[→ FOR MORE INFORMATION CLICK HERE](#)

APPLICATIONS

- Tunnels
- Maritime environments
- Desert zones
- Petrochemicals
- Military areas
- Measurement of gases in high temperature zones

ELECTRICAL ENCLOSURES FOR EXTREME TEMPERATURE CONDITIONS TARDÍGRADO SERIES

ADVANTAGES

Our cabinet has excellent resistance to ozone, oxidation, UV light, cosmic and ionizing radiation, general weathering.

- Optimal functioning in adverse temperature conditions.
- Silicone seal resistant from -60°C to + 250°C
- Temp. maximum service + 230°C
- Temp. intermittent maximum + 250°C
- Temp. minimum service -60°C
- Fragile point -80°C - ASTM D746
- Anticorrosive, manufactured in stainless steel AISI 304L.
- Anticorrosive, manufactured in stainless steel AISI 316L (marine).

OPTIONS

- Custom sizes and designs.
- Opening by screws or revolving door.
- Wall mounted boxes.
- AISI 304L or AISI 316L (marine).
- IP67 or IP68 - IEC EN62208 and EN60529 standard.
- We recommend the use of our IP68 stainless steel cable glands for the passage of cables.



NORMATIVE

- IP(W) corrosive environments.
- IP21, IP55, IP66, IP67 and IP68 according IEC EN 62208 and EN 60529.
- Maximum IK10 resistance Norm IEC 62208 and EN 50102.
- Manufactured following EU low voltage ruling 2006/95/CE.
- Certificate UL Nema 4x, 12, 3r, 1. N°File E342220.
- Características IP68 bajo Norma IEC EN 62208 y EN 60529.
- Maximum IK10 resistance Norm IEC 62208 and EN 50102.
- Resistance to corrosion C5M, norma ISO 12944, (AISI 316).
- RoHS Directive 2002/95/EC compliant.
- FAR 25/JAR 25/CS 25 Appendix F, Part I, (a)(1)(iv) and (a)(1)(v) horizontal flammability tests.
- FDA (Food & Drug Administration). CFR 21. num. 177.2600.
- Regulation CE 1935/2004.
- WRAS (Water Regulations Advisory Scheme), num. Lista 1310541

PHI 20 FIRE & FLAME RATED ENCLOSURE

GEO FIRE SERIES IP66



Examples



The Fire Geo Series Offers Electrical and Safety Fire and Flame Resistance

Delvalle enclosures have been successfully tested to in fire standards. PHI 20, according UNE EN 50200. Fire resistant enclosures and junction boxes are used to maintain electrical and electronic circuit integrity to emergency lighting, power and control cables.

Delvalle designs and manufacture:

- Fire and flame rated enclosures
- Fire rated junction boxes
- Fire rated cabinets depending on their location and for areas with the possibility of high temperature, they are designed with the tightness required for Fire Rated Enclosures (IP66) depending on their location and with the maximum durability to the corrosion, it is possible use AISI 304L / AISI 316L (high corrosion protection).

We custom made fire and flame rated enclosures. We have different sizes and customized designs for a fire rated junction boxes with screw openings or with hinges.



[FOR MORE INFORMATION CLICK HERE](#)



APPLICATIONS

- Tunnels, subway and highway.
- Railway
- Military
- Maritime
- Fire rated



ADVANTAGES

PHI20, ensures electrical continuity for 120 minutes at 842°C constant temperature. The fire and flame rated enclosure has excellent resistance to ozone, corrosion, oxidation, UV light, cosmic and ionizing radiation, general weathering.

- Waterproof IP66 optimal functioning in adverse temperature and humidity conditions.
- Ceramic terminals.
- Anticorrosive, manufactured in stainless steel AISI304L.



OPTIONS

- Customized sizes and designs.
- Opening with hinges.
- Wall mounted supports.
- AISI 316L (marine).
- Accessory for padlock.
- Polyester coating orange RAL 2004.

NORMATIVE

- UNE EN 50200 Fire Rated
- 2 hours PHI20 842°C.
- IP66 (W) according IEC EN 62208.
- Maximum IK10 resistance norm IEC 62208 and EN 62262.
- Manufactured following UE Directive low voltage 2014/35/UE
- Certificate UL Nema 4x, 12, 3r, I. N° File E342220.
- Resistance to corrosion C5M, according ISO 12944 (AISI 316L).
- RoHs certificate.
- WRAS (Water Regulations Advisory Scheme), num. Lista 1310541.

EFFICIENCY TEST

PHI20, ensures electrical continuity for 120 minutes at 842°C constant temperature.



DIFFERENT TYPE OF TERMINALS

TERMINAL TYPE BLOCK TABLE

REFERENCES	SECTION	N° TERMINALS
TCF4-1	1,5 a 4mm ²	1
TCF4-2	1,5 a 4mm ²	2
TCF4-3	1,5 a 4mm ²	3
TCF4-4	1,5 a 4mm ²	4
TCF6-1	2,5 a 6mm ²	1
TCF6-2	2,5 a 6mm ²	2
TCF6-3	2,5 a 6mm ²	3
TCF6-4	2,5 a 6mm ²	4
TCF10-1	4 a 10mm ²	1
TCF10-2	4 a 10mm ²	2
TCF10-3	4 a 10mm ²	3
TCF10-4	4 a 10mm ²	4
TCF16-1	6 a 16mm ²	1
TCF16-2	6 a 16mm ²	2
TCF16-3	6 a 16mm ²	3
TCF16-4	6 a 16mm ²	4

Ceramic connectors for connection cables in equipment and electrical installations type block.

- Porcelain block.
- Connection capacity until 16mm².
- Voltage max: 450V.
- Current max: 76 A.

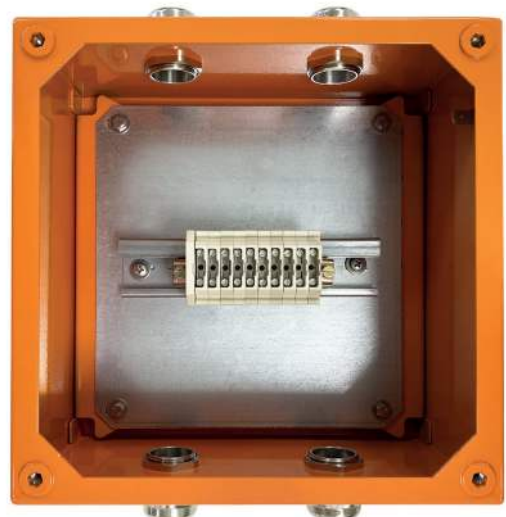


Ceramic terminals for connection of cables in individual type electrical equipment and installations.

- Porcelain terminal.
- Connection capacity until 35mm².
- Voltage max: 800V.
- Current max: 125 A.

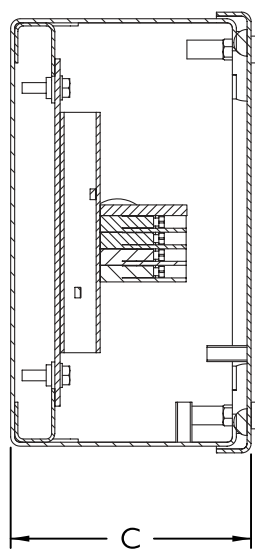
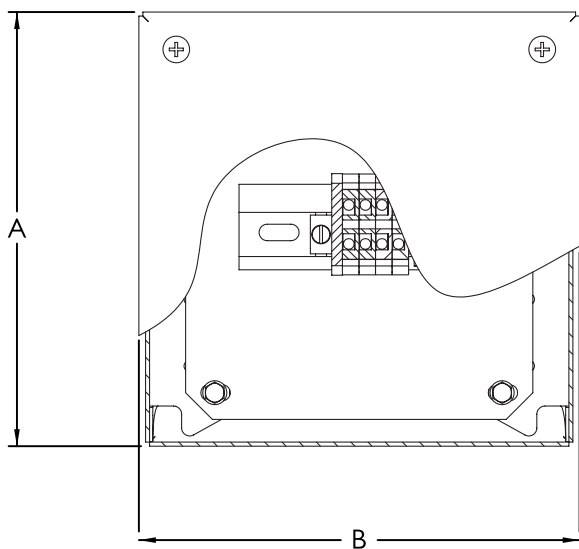
TERMINAL INDIVIDUAL TYPE TABLE

REFERENCES	SECTION
BTFR25	0,2 a 4mm ²
BTFR10	0,5 a 10mm ²
BTFR16	0,5 a 16mm ²
BTFR35	1 a 35mm ²



PLAN

➔ [CLICK HERE TO DOWNLOAD THE FILES CAD - PLANS - CERTIFICATES](#)



MECHANICAL PARTS
GUARANTEE



STAINLESS
ANTICORROSIVE
GUARANTEE

REFERENCES

GEO FIRE REFERENCES	DIMENSIONS (mm)			TERMINALS					
	HIGH - A -	WIDTH - B -	DEPTH - C -	2.5 mm	4 mm	6 mm	10 mm	16 mm	35 mm
GEO121280FR	120	120	80	8	8	4	-	-	-
GEO121680FR	120	160	80	12	12	8	8	6	-
GEO132690FR	130	260	90	24	24	20	12	12	-
GEO151580FR	150	150	80	10	10	6	6	4	-
GEO161690FR	160	160	90	12	12	8	8	6	-
GEO162690FR	160	260	90	24	24	20	12	12	10
GEO252512FR	250	250	120	24	24	20	12	12	10
GEO253512FR	250	350	120	32	32	24	20	16	14
GEO254015FR	250	400	150	36	36	28	24	20	16
GEO404015FR	400	400	150	72	72	65	48	40	16
GEO256015FR	250	600	150	52	52	44	40	32	24
GEO406015FR	400	600	150	104	104	88	80	64	24
GEO605025FR	600	500	250	104	104	88	80	64	40
GEO606015FR	600	600	300	156	156	132	120	96	50



FOR MORE INFORMATION CLICK HERE

CUSTOMIZED ENCLOSURE SOLUTIONS DELVALLE

Delvalle has more than 50 years of experience using the latest technology to implement and obtain the most innovative products on offer to all our customers. Delvalle is an ideal partner, combining an advanced and wide range of products at very competitive prices.

The customized manufacture of all electrical enclosures and cabinets Delvallebox is carry out with the most advanced technical methods and with the precision and consciousness of a craftsman. This makes the difference from competitors and is the best way to gain our customers' trust.

In Delvallebox we bear in mind that customers perceive the quality very clearly. In every product (for instance, in the cabinets here presented) safety and useful solutions are what customers value most.



STAINLESS STEEL INDUSTRIAL ENCLOSURES



OUTDOOR ELECTRICAL ENCLOSURES



GLOBAL ELECTRICAL SOLUTIONS FOR URBAN AREAS



GALVANIZED STEEL ELECTRICAL ENCLOSURES



ATEX INDUSTRIAL ENCLOSURES



SLOPED ROOF
ENCLOSURES - HYGIENIC



INDUSTRIAL ENCLOSURES IP66, IP67, IP68 AND IP69K

Buy direct from manufacturer of custom made IP66, IP67, IP68 and IP69K heavy duty industrial and waterproof electrical enclosures AISI 304L and 316L made by standard IEC 60529. Delvalle has tested all sizes and dimensions of waterproof enclosures according to EN 60529:2018. All weather resistant enclosures are more than simply rainproof, they meet a minimum of Nema 4X and IP66, IP67, IP68 and IP69k requirements to ensure your electronics are protected. From Junction boxes to industrial enclosures, Delvalle weatherproof enclosures offer a wide range of sizes and styles to keep your project waterproof.



CLIMATE CONTROL COOLING FOR ENCLOSURES



CABLE GLANDS FOR
ELECTRICAL ENCLOSURES





INDUSTRIAL ENCLOSURE SOLUTIONS



Paso del Prao, 6. 01320 Oyón (Álava). Spain
Phone +34 945 601 381
comercial@delvalle.es | www.delvallebox.com
Contact us, we will be available at any time