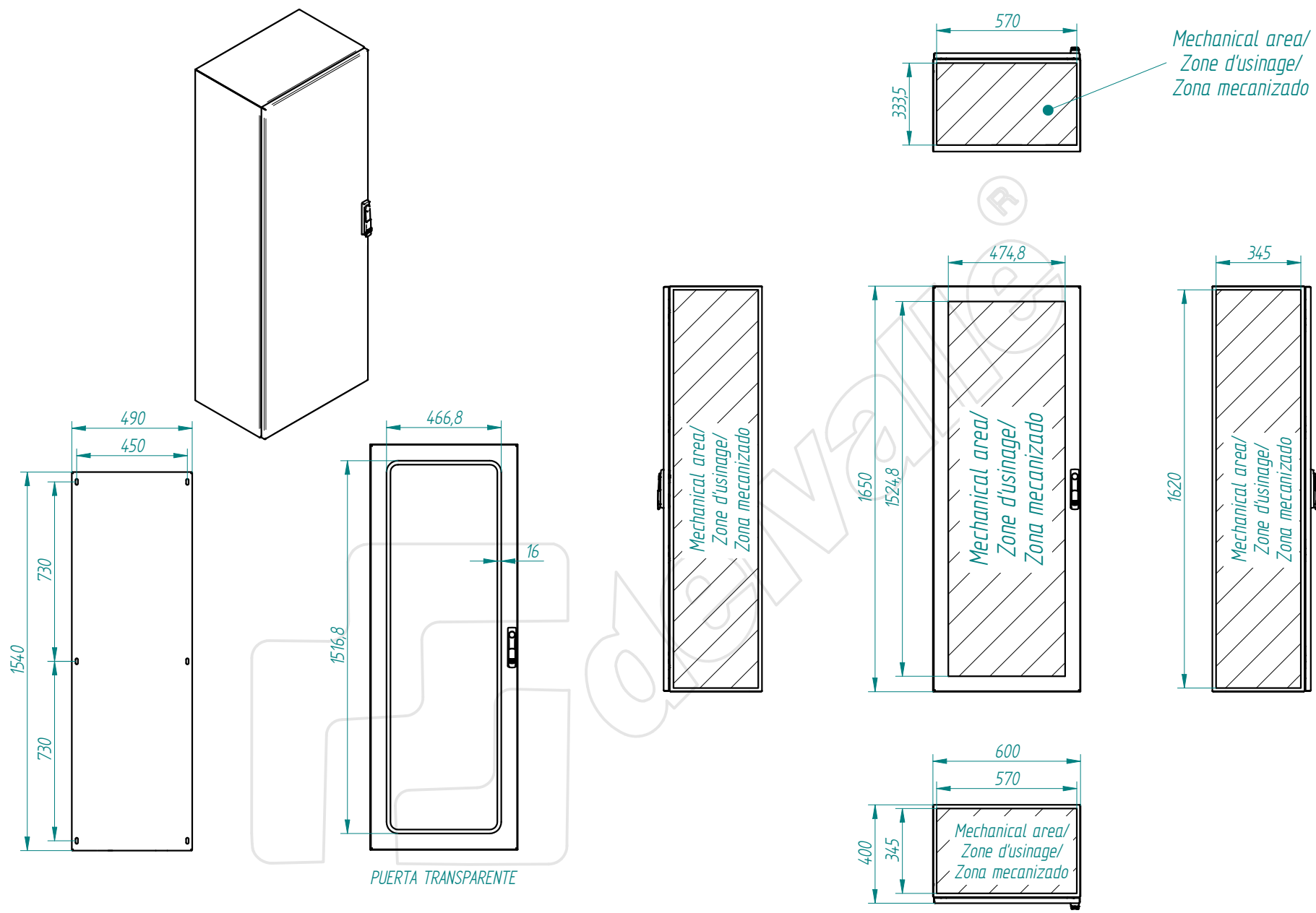



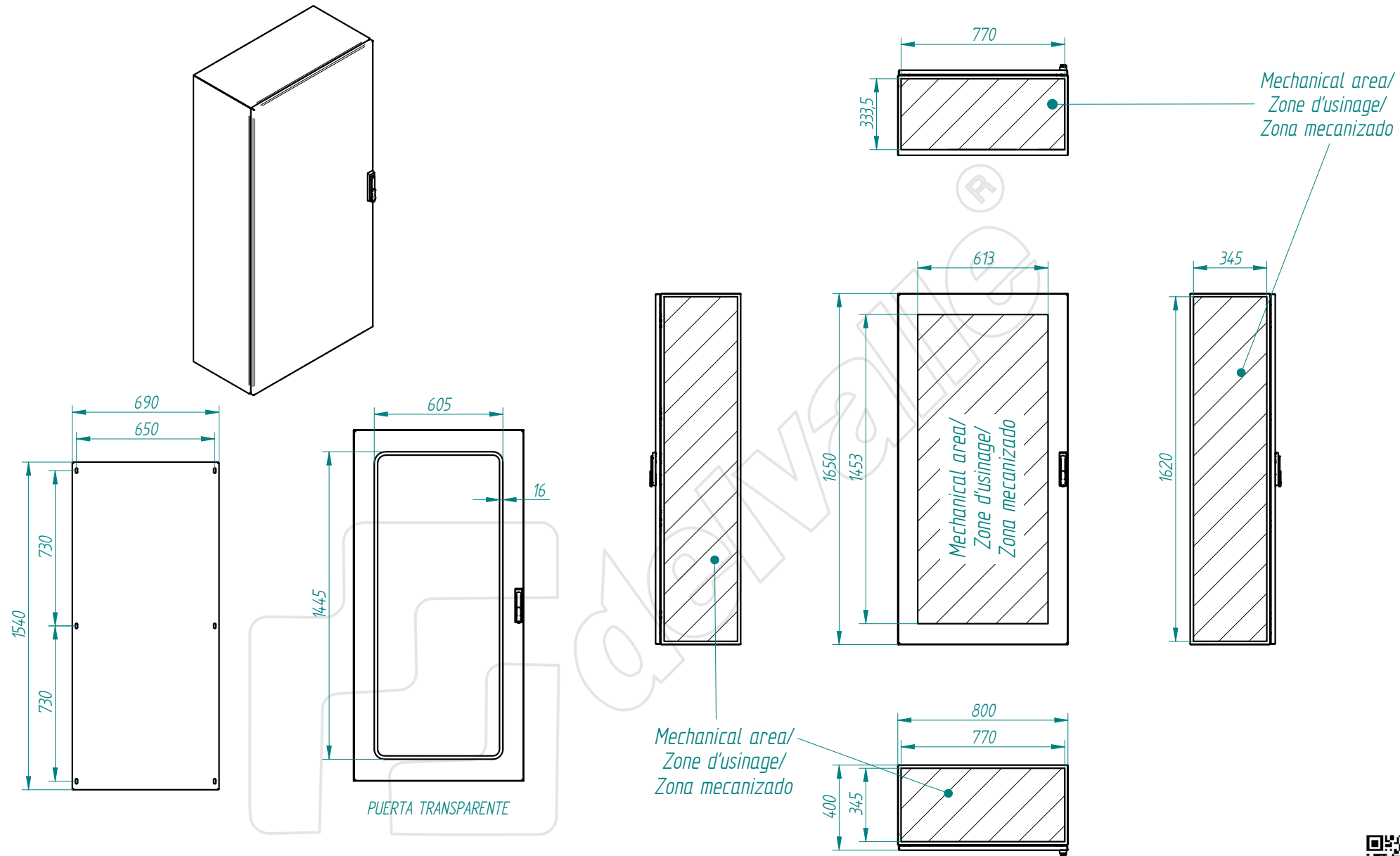
This present document and its contents are confidential and are the exclusive intellectual and / or industrial property of DELVALLE . In addition to any technology, design, invention, work, process, know-how, calculation, manual, method, solution, idea, improvement, drawing, diagram, modification, combination and, in short, any associated information involving industrial or intellectual property developed or supplied by DELVALLE on the occasion of the quote, order execution or incorporated into the design or operation of the supply. The recipient may not use such property in his favour or in that of a third party for purposes other than the fulfilment of the order and the operation and maintenance of the supply, without the prior written consent of DELVALLE. It is strictly forbidden to totally or partially reproduce this document and to misuse it and / or to show it to third parties. The infringing parties shall be required to pay the corresponding compensation for damages, and any other legal or criminal responsibility is the infringement may give rise to.




TOLERANCIA GENERAL DE MECANIZACION según DIN 7168	Creación del documento	04/04/2022	D.MTNEZ	A	Referencia: - plegado: - acabado:	DIBUJADO:	04/04/2022	FIRMA:	D.Martínez	
	MODIFICACIONES	FECHA:	FIRMA:	REVISIÓN:		APROBADO:	04/04/2022	D.Martínez	DESIGNACIÓN:	
						TRIBECA1P-1650x600x400-estandar				



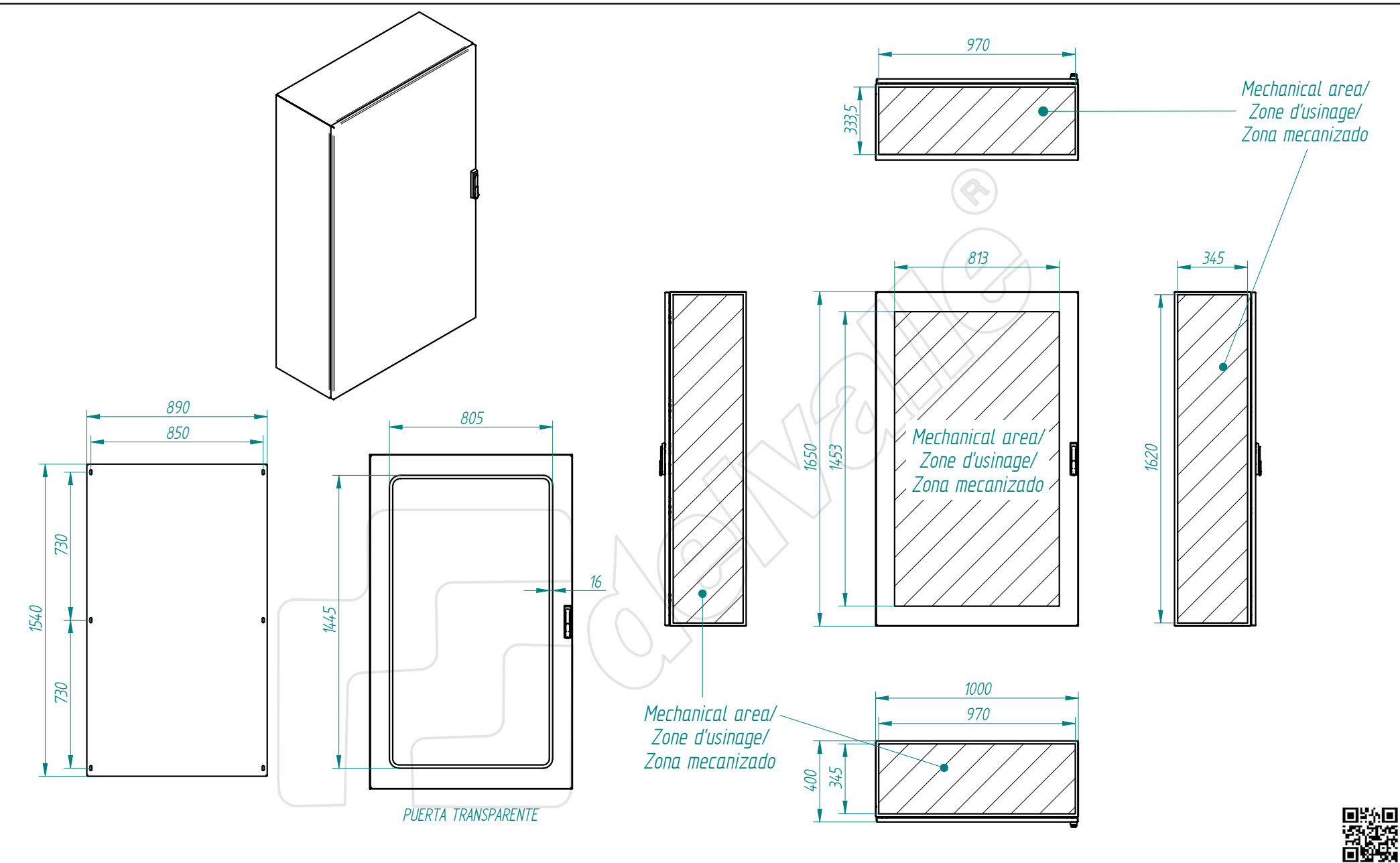
This present document and its contents are confidential and are the exclusive intellectual and / or industrial property of DELVALLE . In addition to any technology, design, invention, work, process, know-how, calculation, manual, method, solution, idea, improvement, drawing, diagram, modification, combination and, in short, any associated information involving industrial or intellectual property developed or supplied by DELVALLE on the occasion of the quote, order execution or incorporated into the design or operation of the supply. The recipient may not use such property in his favour or in that of a third party for purposes other than the fulfilment of the order and the operation and maintenance of the supply, without the prior written consent of DELVALLE. It is strictly forbidden to totally or partially reproduce this document and to misuse it and / or to show it to third parties. The infringing parties shall be required to pay the corresponding compensation for damages, and any other legal or criminal responsibility is the infringer's responsibility.




TOLERANCIA GENERAL DE MECANIZACION según DIN 7168	Creación del documento	04/04/2022	D.MTNEZ	A	Referencia: - plegado: acabado.	DIBUJADO:	04/04/2022	FIRMA:	D.Martinez	
	MODIFICACIONES	FECHA:	FIRMA:	REVISIÓN:		APROBADO:	04/04/2022	D.Martinez	DESIGNACIÓN:	
						TRIBECA1P-1650x800x400-estandar				



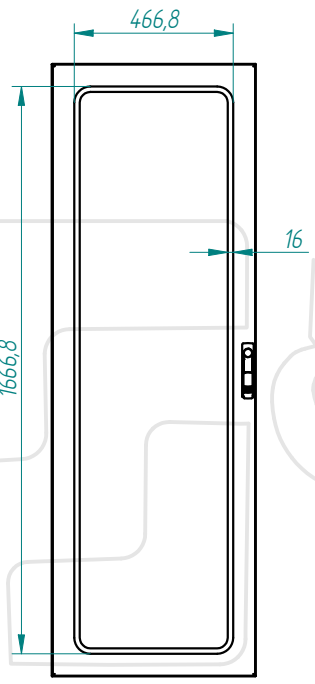
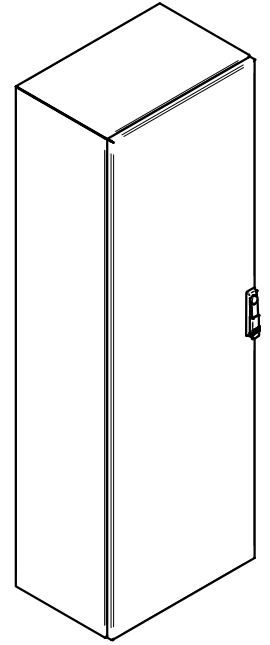
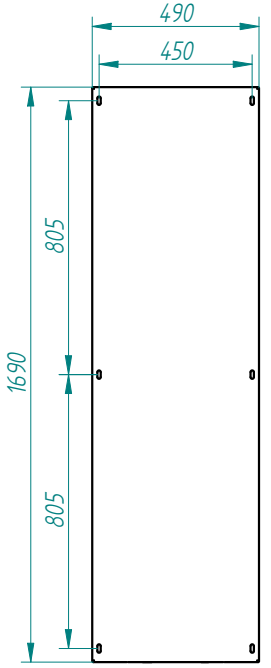
This present document and its contents are confidential and are the exclusive intellectual and / or industrial property of DELVALLE . In addition to any technology, design, invention, work, process, know-how, calculation, manual, method, solution, idea, improvement, drawing, diagram, modification, combination and, in short, any associated information involving industrial or intellectual property developed or supplied by DELVALLE on the occasion of the quote, order execution or incorporated into the design or operation of the supply. The recipient may not use such property in his favour or in that of a third party for purposes other than the fulfilment of the order and the operation and maintenance of the supply, without the prior written consent of DELVALLE. It is strictly forbidden to totally or partially reproduce this document and to misuse it and / or to show it to third parties. The infringing parties shall be required to pay the corresponding compensation for damages, and any other legal or criminal responsibility is the infringer's. The infringer may give rise to.



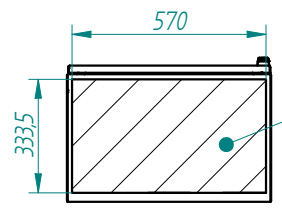
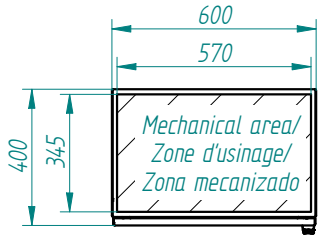
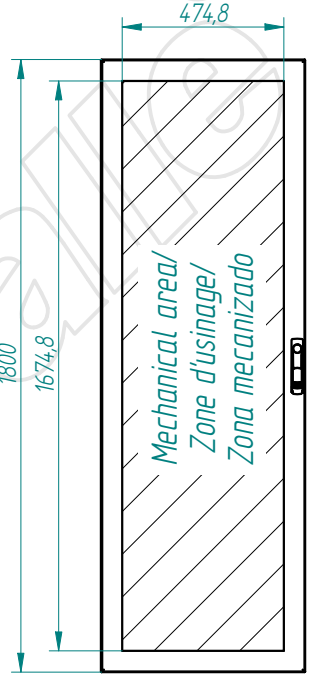
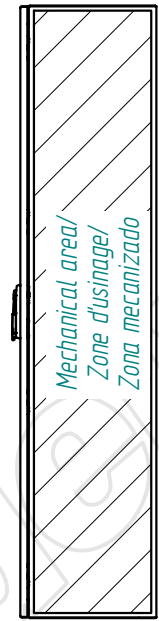
TOLERANCIA GENERAL DE MECANIZACION según DIN 7168				Referencia:			
					DIBUJADO: 04/04/2022	FIRMA: D.Martinez	
Creación del documento			04/04/2022	D.MTNEZ	A	APROBADO: 04/04/2022	D.Martinez
MODIFICACIONES			FECHA:	FIRMA:	REVISIÓN:	DESIGNACIÓN: TRIBECA1P-1650x1000x400-estandar	Nº PLANO:



This present document and its contents are confidential and are the exclusive intellectual and / or industrial property of DELVALLE . In addition to any technology, design, invention, work, process, know-how, calculation, manual, method, solution, idea, improvement, drawing, diagram, modification, combination and, in short, any associated information involving industrial or intellectual property developed or supplied by DELVALLE on the occasion of the quote, order execution or incorporated into the design or operation of the supply. The recipient may not use such property in his favour or in that of a third party for purposes other than the fulfilment of the order and the operation and maintenance of the supply, without the prior written consent of DELVALLE. It is strictly forbidden to totally or partially reproduce this document and to misuse it and / or to show it to third parties. The infringing parties shall be required to pay the corresponding compensation for damages, and any other legal or criminal, responsible in the infringement may give rise to.




PUERTA TRANSPARENTE

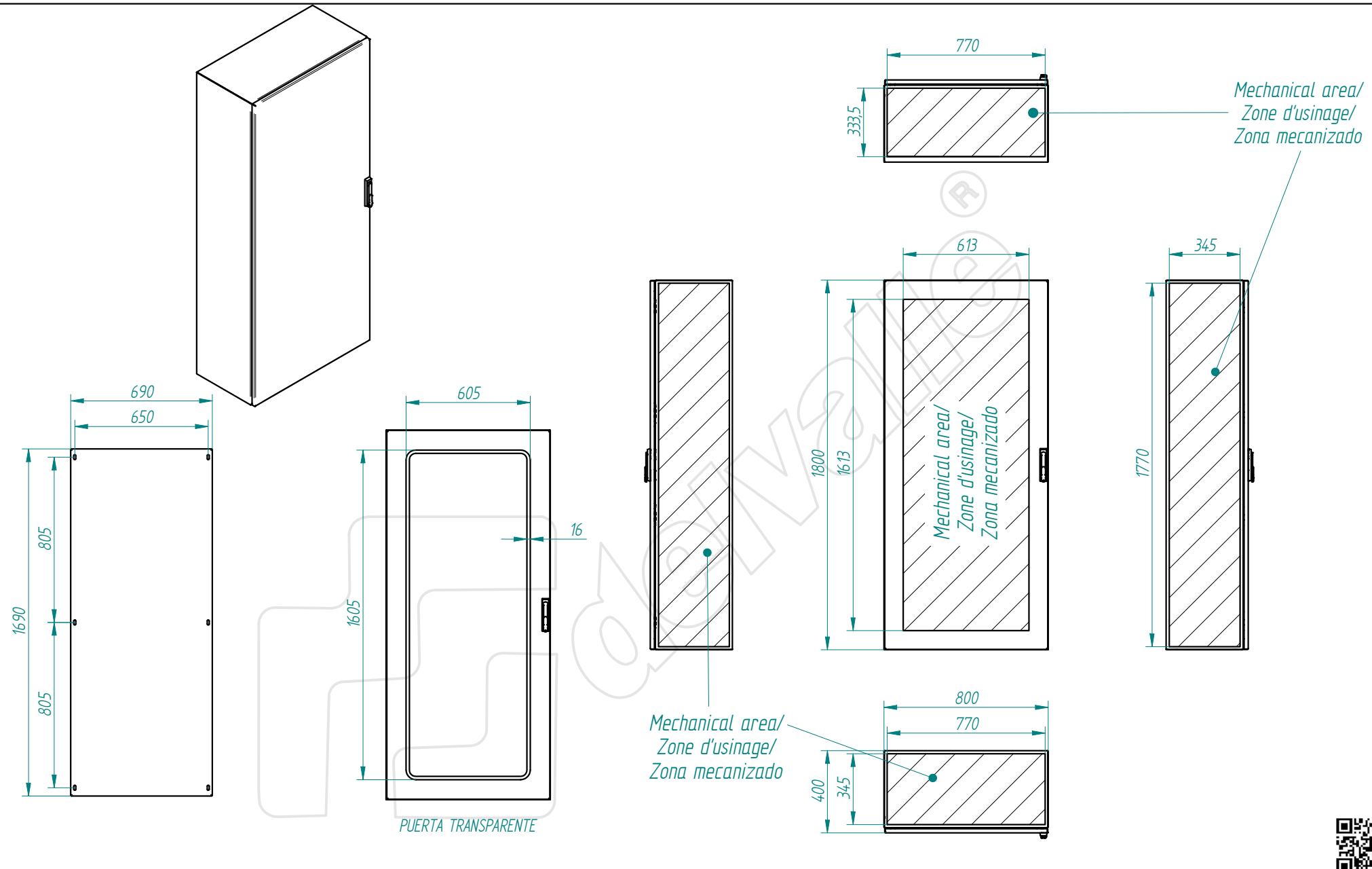



Mechanical area/
Zone d'usinage/
Zona mecanizado



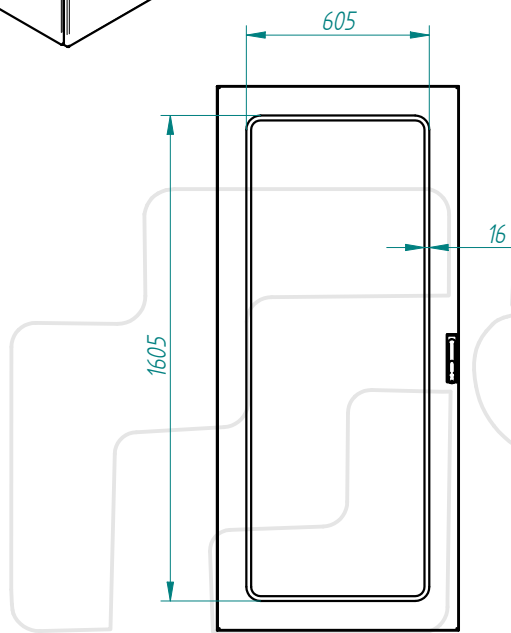
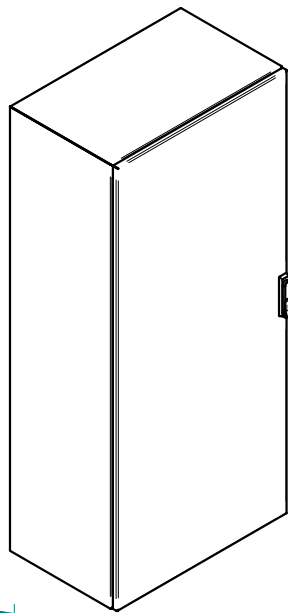
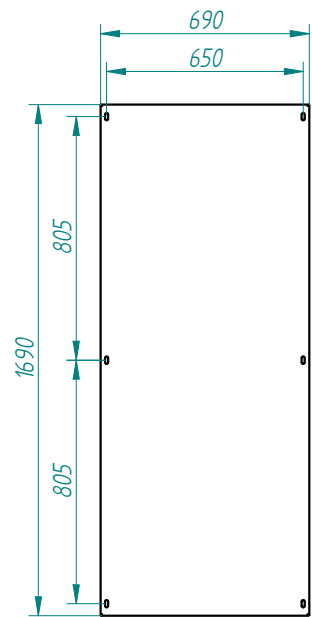
TOLERANCIA GENERAL DE MECANIZACION según DIN 7168	Creación del documento	04/04/2022	D.MTNEZ	A	-	Referencia:	DIBUJADO:	04/04/2022	FIRMA:	D.Martinez	
	MODIFICACIONES	FECHA:	FIRMA:	REVISIÓN:	plegado: acabado:		APROBADO:	04/04/2022	D.Martinez		
							DESIGNACIÓN:	TRIBECA1P-1800x600x400-estandar		Nº PLANO:	

This present document and its contents are confidential and are the exclusive intellectual and / or industrial property of DELVALLE . In addition to any technology, design, invention, work, process, know-how, calculation, manual, method, solution, idea, improvement, drawing, diagram, modification, contribution and, in short, any associated information involving industrial or intellectual property developed or supplied by DELVALLE on the occasion of the quote, order execution or incorporated into the design or operation of the supply. The recipient may not use such property in his favour or in that of a third party for purposes other than the fulfilment of the order and the operation and maintenance of the supply, without the prior written consent of DELVALLE. It is strictly forbidden to totally or partially reproduce this document and to misuse it and / or to show it to third parties. The infringing parties shall be required to pay the corresponding compensation for damages, and any other legal or criminal responsible is the infringement may give rise to.

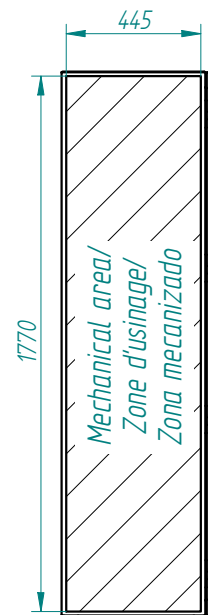
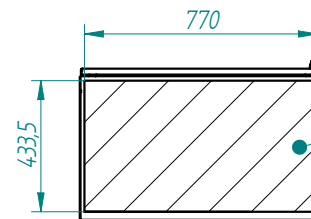
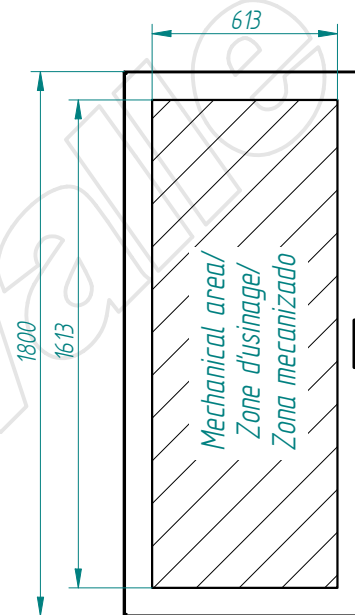
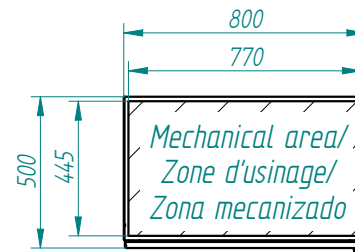


TOLERANCIA GENERAL DE MECANIZACION según DIN 7168	Creación del documento	04/04/2022	D.MTNEZ	A	Referencia: - plegado: - acabado:	DIBUJADO:	04/04/2022	FIRMA:	D.Martinez	 Nº PLANO:
	MODIFICACIONES	FECHA:	FIRMA:	REVISIÓN:		APROBADO:	04/04/2022	D.Martinez		
DESIGNACIÓN:						TRIBECA1P-1800x800x400-estandar				


This present document and its contents are confidential and are the exclusive intellectual and / or industrial property of DELVALLE . In addition to any technology, design, invention, work, process, know-how, calculation, manual, method, solution, idea, improvement, drawing, diagram, modification, combination and, in short, any associated information involving industrial or intellectual property developed or supplied by DELVALLE on the occasion of the quote, order execution or incorporated into the design or operation of the supply. The recipient may not use such property in his favour or in that of a third party for purposes other than the fulfilment of the order and the operation and maintenance of the supply, without the prior written consent of DELVALLE. It is strictly forbidden to totally or partially reproduce this document and to misuse it and / or to show it to third parties. The infringing parties shall be required to pay the corresponding compensation for damages, and any other legal or criminal, responsible for the infringement may give rise to.



PUERTA TRANSPARENTE

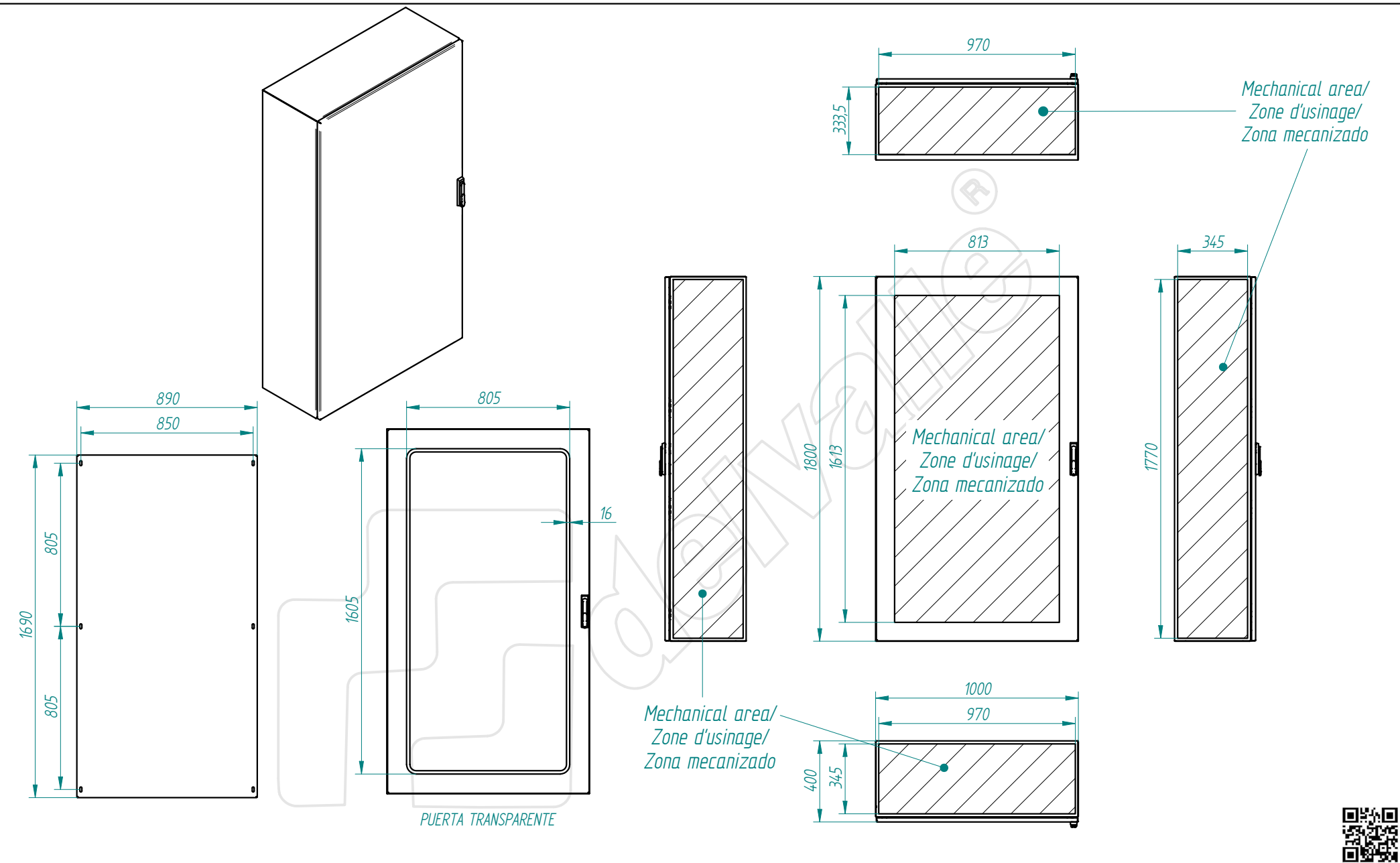


Mechanical area/
Zone d'usinage/
Zona mecanizado

TOLERANCIA GENERAL DE MECANIZACION según DIN 7168	Creación del documento	04/04/2022	D.MTNEZ	A	Referencia: - plegado: - acabado:	DIBUJADO:	04/04/2022	FIRMA:	D.Martínez	 Nº PLANO:
	MODIFICACIONES	FECHA:	FIRMA:	REVISIÓN:		APROBADO:	04/04/2022	D.Martínez		
DESIGNACIÓN:						TRIBECA1P-1800x800x500-estandar				



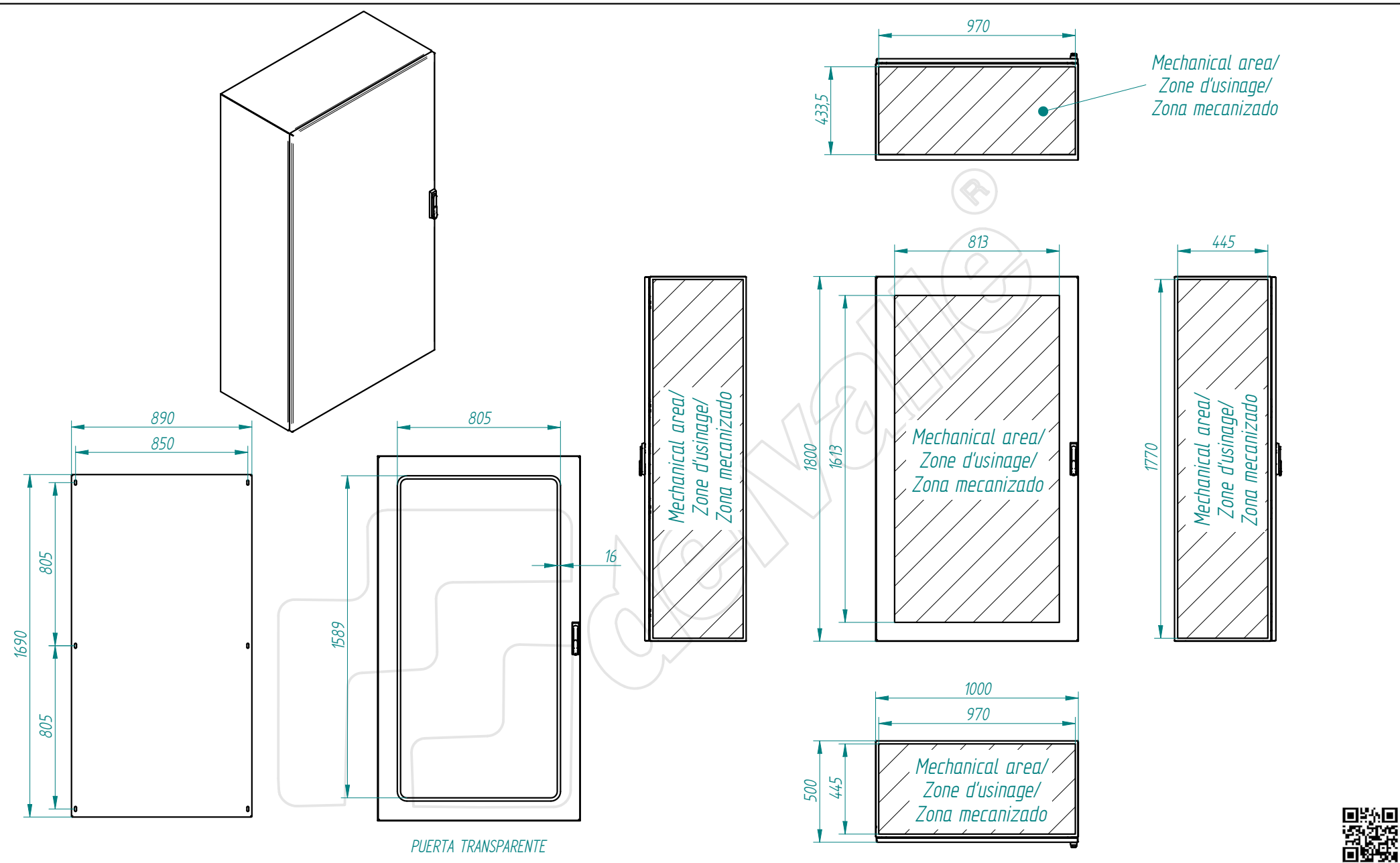
This present document and its contents are confidential and are the exclusive intellectual and / or industrial property of DELVALLE . In addition to any technology, design, invention, work, process, know-how, calculation, manual, method, solution, idea, improvement, drawing, diagram, modification, combination and, in short, any associated information involving industrial or intellectual property developed or supplied by DELVALLE on the occasion of the quote, order execution or incorporated into the design or operation of the supply. The recipient may not use such property in his favour or in that of a third party for purposes other than the fulfilment of the order and the operation and maintenance of the supply, without the prior written consent of DELVALLE. It is strictly forbidden to totally or partially reproduce this document and to misuse it and / or to show it to third parties. The infringing parties shall be required to pay the corresponding compensation for damages, and any other legal or criminal responsible for the infringement may give rise to.




TOLERANCIA GENERAL DE MECANIZACION según DIN 7168				Referencia:				
					DIBUJADO:	04/04/2022	FIRMA:	D.Martinez
					APROBADO:	04/04/2022	FIRMA:	D.Martinez
Creación del documento			04/04/2022	D.MTNEZ	A	DESIGNACIÓN:		Nº PLANO:
MODIFICACIONES			FECHA:	FIRMA:	REVISIÓN:	TRIBECA1P-1800x1000x400-estandar		



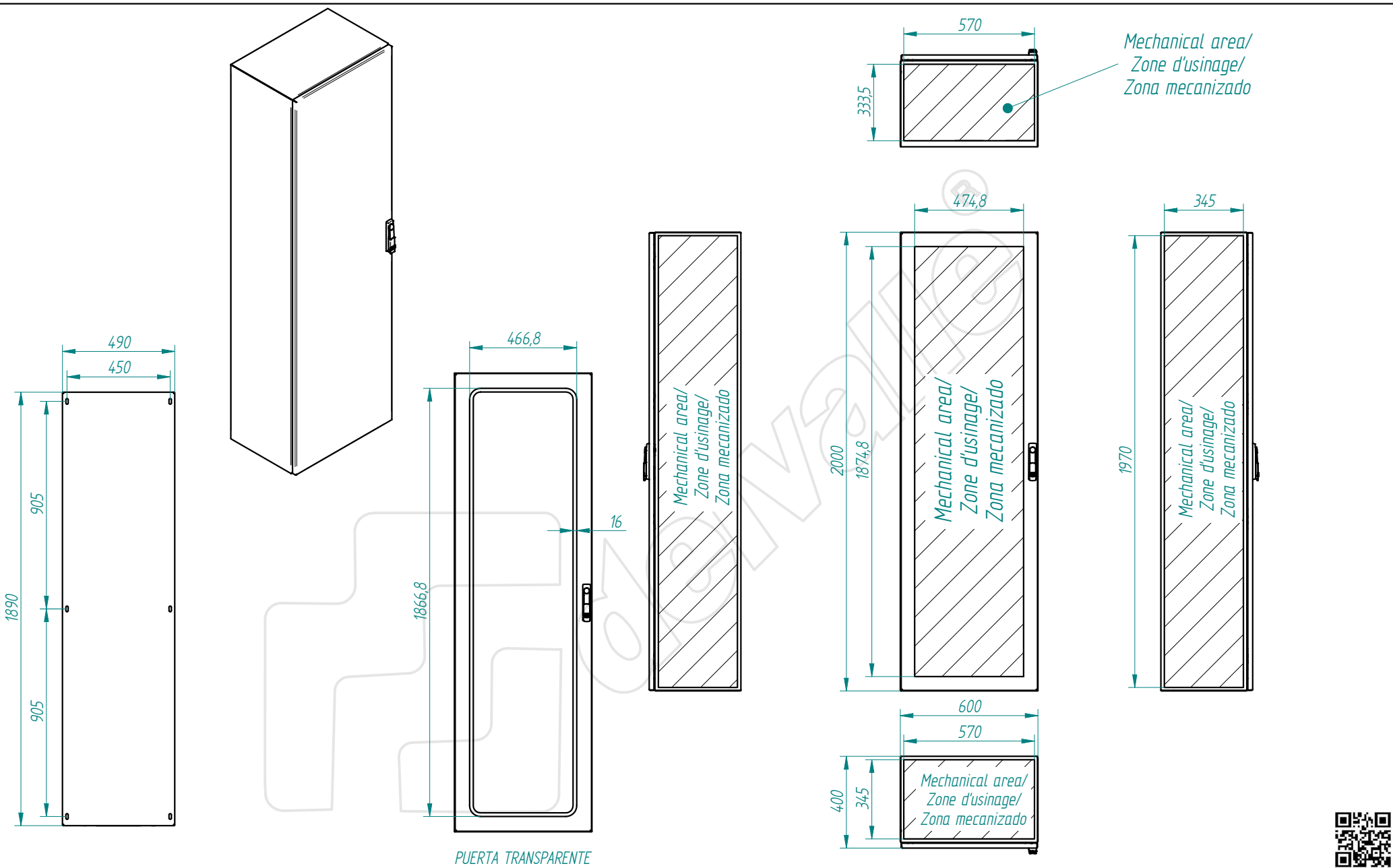
This present document and its contents are confidential and are the exclusive intellectual and / or industrial property of DELVALLE. In addition to any technology, design, invention, work, process, know-how, calculation, manual, method, solution, idea, improvement, drawing, diagram, modification, combination and, in short, any associated information involving industrial or intellectual property developed or supplied by DELVALLE on the occasion of the quote, order execution or incorporated into the design or operation of the supply. The recipient may not use such property in his favour or in that of a third party for purposes other than the fulfilment of the order and the operation and maintenance of the supply, without the prior written consent of DELVALLE. It is strictly forbidden to totally or partially reproduce this document and to misuse it and / or to show it to third parties. The infringing parties shall be required to pay the corresponding compensation for damages, and any other legal or criminal, responsible and the infringement may give rise to.




PUERTA TRANSPARENTE

TOLERANCIA GENERAL DE MECANIZACION según DIN 7168				Referencia:	FECHA:		FIRMA:	
					04/04/2022		DMartinez	
Creación del documento				04/04/2022	DMTNEZ	A		Nº PLANO:
MODIFICACIONES				FECHA:	FIRMA:	REVISIÓN:	- plegado: - acabado:	
					DESIGNACIÓN:			
					TRIBECA1P-1800x1000x500-estandar			

This present document and its contents are confidential and are the exclusive intellectual and / or industrial property of DELVALLE . In addition to any technology, design, invention, work, process, know-how, calculation, manual, method, solution, idea, improvement, drawing, diagram, modification, combination and, in short, any associated information or documentation involving industrial or intellectual property developed or supplied by DELVALLE on the occasion of the quote, order execution or incorporated into the design or operation of the supply. The recipient may not use such property in his favour or in that of a third party for purposes other than the fulfilment of the order and the operation and maintenance of the supply, without the prior written consent of DELVALLE. It is strictly forbidden to totally or partially reproduce this document and to misuse it and / or to show it to third parties. The infringing parties shall be required to pay the corresponding compensation for damages, and any other legal or criminal responsible. The infringement may give rise to.

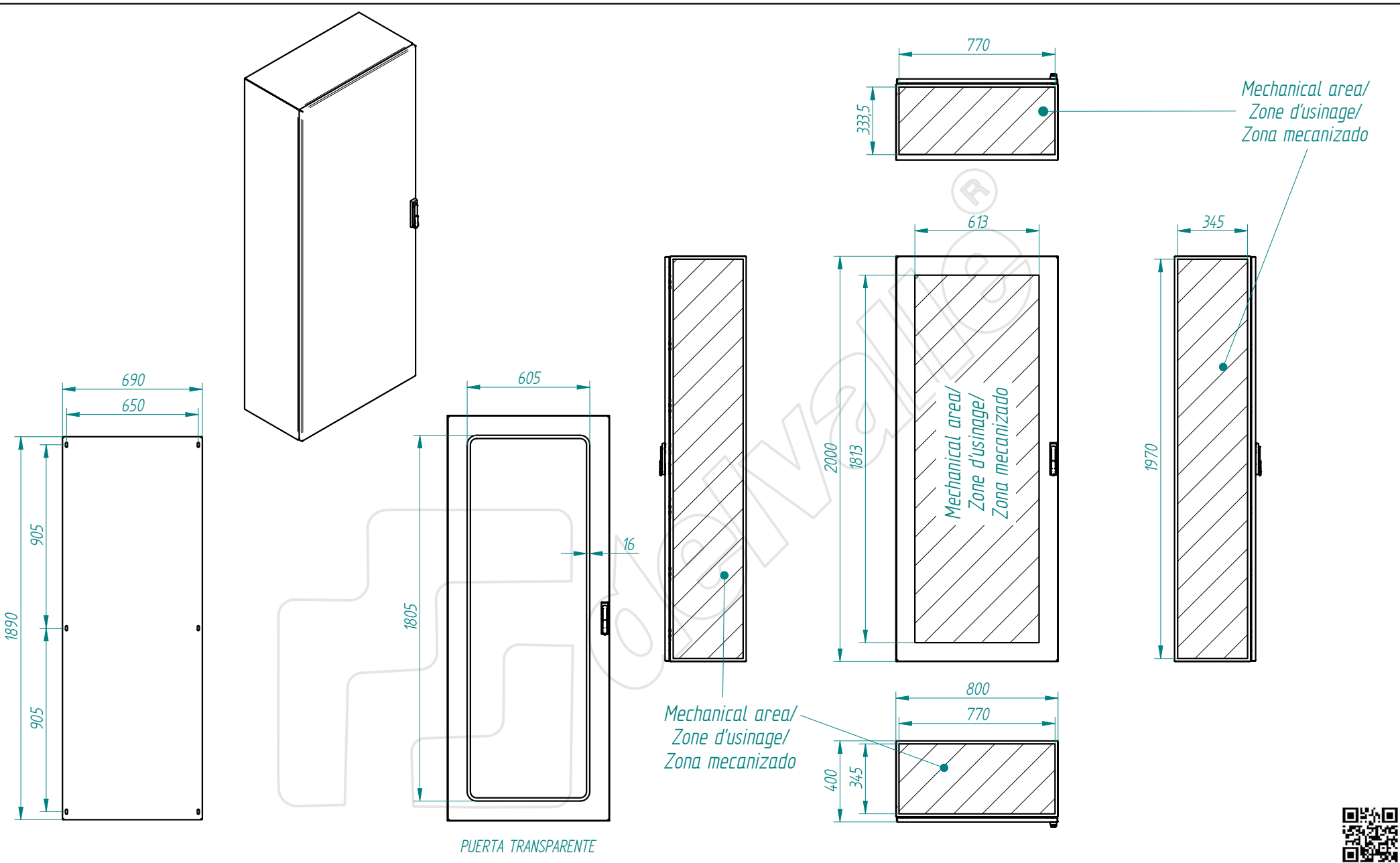


PUERTA TRANSPARENTE

TOLERANCIA GENERAL DE MECANIZACION según DIN 7168	Creación del documento	04/04/2022	D.MTNEZ	A	Referencia: - plegado: - acabado:	DIBUJADO:	04/04/2022	FIRMA:	D.Martínez	
	MODIFICACIONES	FECHA:	FIRMA:	REVISIÓN:		APROBADO:	04/04/2022	D.Martínez	DESIGNACIÓN:	



This present document and its contents are confidential and are the exclusive intellectual and / or industrial property of DELVALLE . In addition to any technology, design, invention, work, process, know-how, calculation, manual, method, solution, idea, improvement, drawing, diagram, modification, combination and, in short, any associated information involving industrial or intellectual property developed or supplied by DELVALLE on the occasion of the quote, order execution or incorporated into the design or operation of the supply. The recipient may not use such property in his favour or in that of a third party for purposes other than the fulfilment of the order and the operation and maintenance of the supply, without the prior written consent of DELVALLE. It is strictly forbidden to totally or partially reproduce this document and to misuse it and / or to show it to third parties. The infringing parties shall be required to pay the corresponding compensation for damages, and any other legal or criminal responsible for the infringement may give rise to.

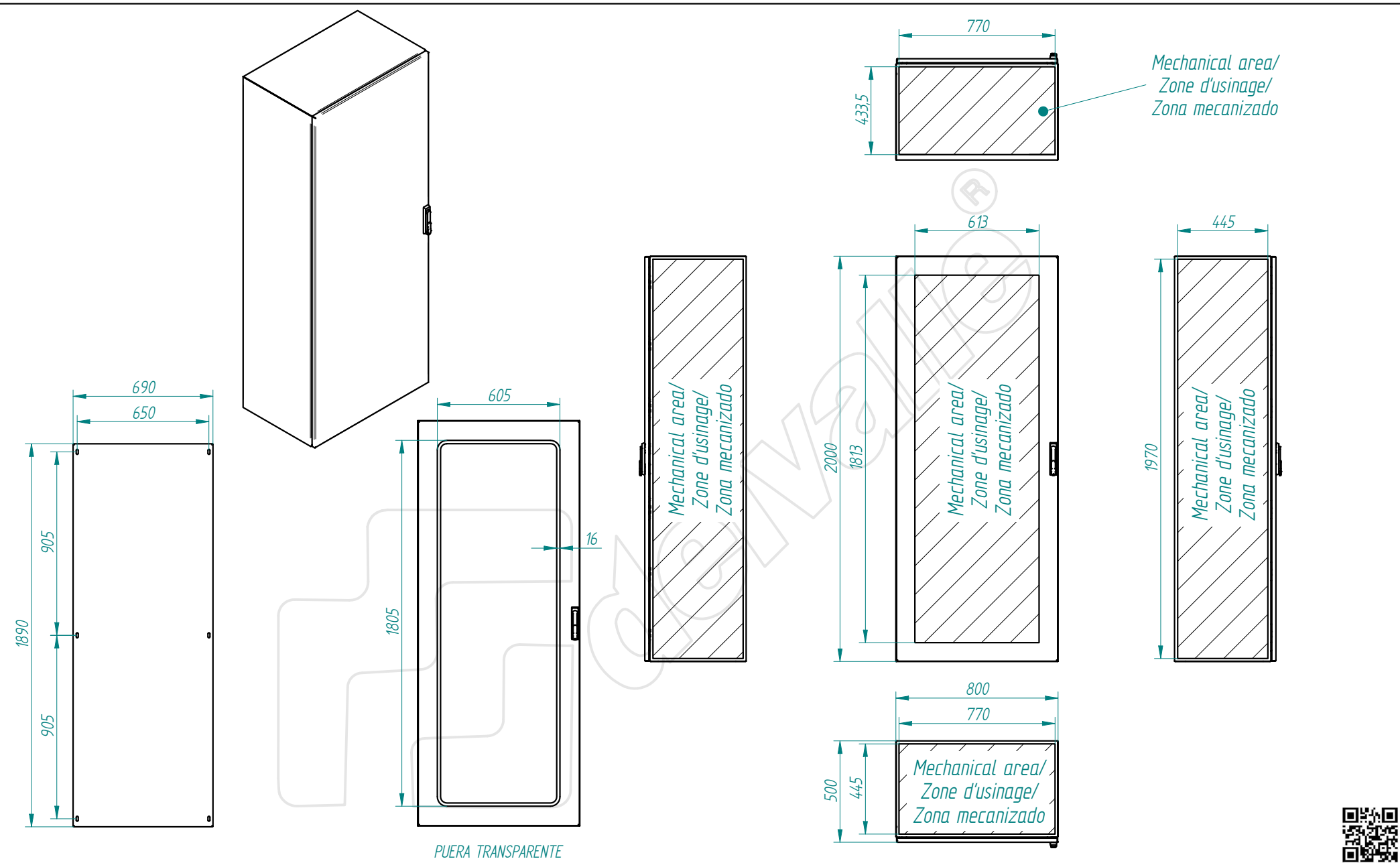



PUERTA TRANSPARENTE



TOLERANCIA GENERAL DE MECANIZACION segun DIN 7168				Referencia:			
					DIBUJADO: 04/04/2022	FIRMA: D.Martinez	
					APROBADO: 04/04/2022	FIRMA: D.Martinez	N° PLANO:
Creación del documento	04/04/2022	D.MTNEZ	A	-	DESIGNACIÓN: TRIBECA1P-2000x800x400-estandar		
MODIFICACIONES	FECHA:	FIRMA:	REVISIÓN:	plegado: acabado:			

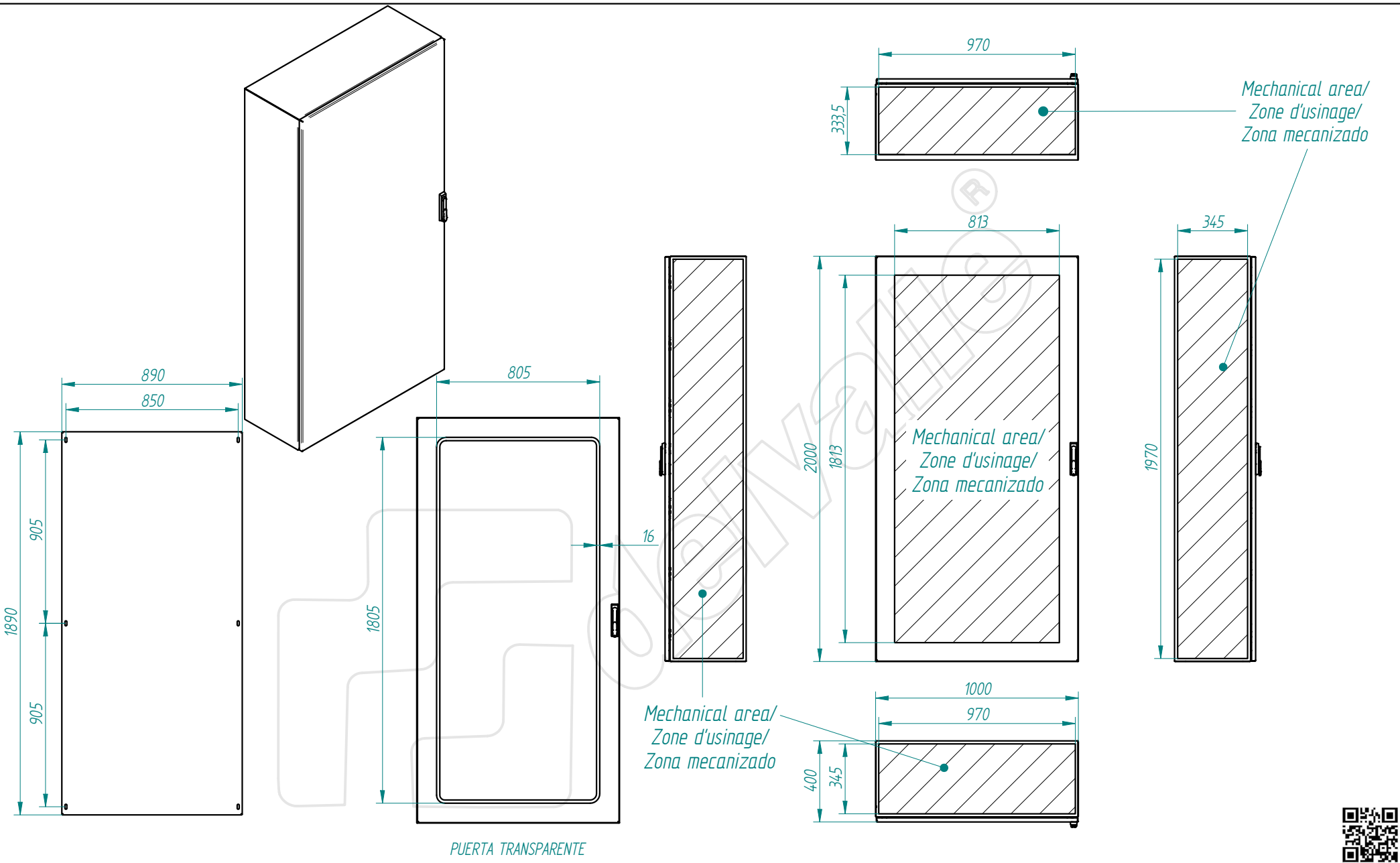
This present document and its contents are confidential and are the exclusive intellectual and / or industrial property of DELVALLE . In addition to any technology, design, invention, work, process, know-how, calculation, manual, method, solution, idea, improvement, drawing, diagram, modification, combination and, in short, any associated information involving industrial or intellectual property developed or supplied by DELVALLE on the occasion of the quote, order execution or incorporated into the design or operation of the supply. The recipient may not use such property in his favour or in that of a third party for purposes other than the fulfilment of the order and the operation and maintenance of the supply, without the prior written consent of DELVALLE. It is strictly forbidden to totally or partially reproduce this document and to misuse it and / or to show it to third parties. The infringing parties shall be required to pay the corresponding compensation for damages, and any other legal or criminal, responsible and the infringement may give rise to.




TOLERANCIA GENERAL DE MECANIZACION según DIN 7168	Creación del documento	04/04/2022	D.MTNEZ	A	Referencia: - plegado: acabado:	DIBUJADO:	04/04/2022	FIRMA:	D.Martínez	
	MODIFICACIONES	FECHA:	FIRMA:	REVISIÓN:		APROBADO:	04/04/2022	D.Martínez	DESIGNACIÓN:	
						TRIBECA1P-2000x800x500-estandar				



This present document and its contents are confidential and are the exclusive intellectual and / or industrial property of DELVALLE . In addition to any technology, design, invention, work, process, know-how, calculation, manual, method, solution, idea, improvement, drawing, diagram, modification, combination and, in short, any associated information involving industrial or intellectual property developed or supplied by DELVALLE on the occasion of the quote, order execution or incorporated into the design or operation of the supply. The recipient may not use such property in his favour or in that of a third party for purposes other than the fulfilment of the order and the operation and maintenance of the supply, without the prior written consent of DELVALLE. It is strictly forbidden to totally or partially reproduce this document and to misuse it and / or to show it to third parties. The infringing parties shall be required to pay the corresponding compensation for damages, and any other legal or criminal, responsible for the infringement may give rise to.

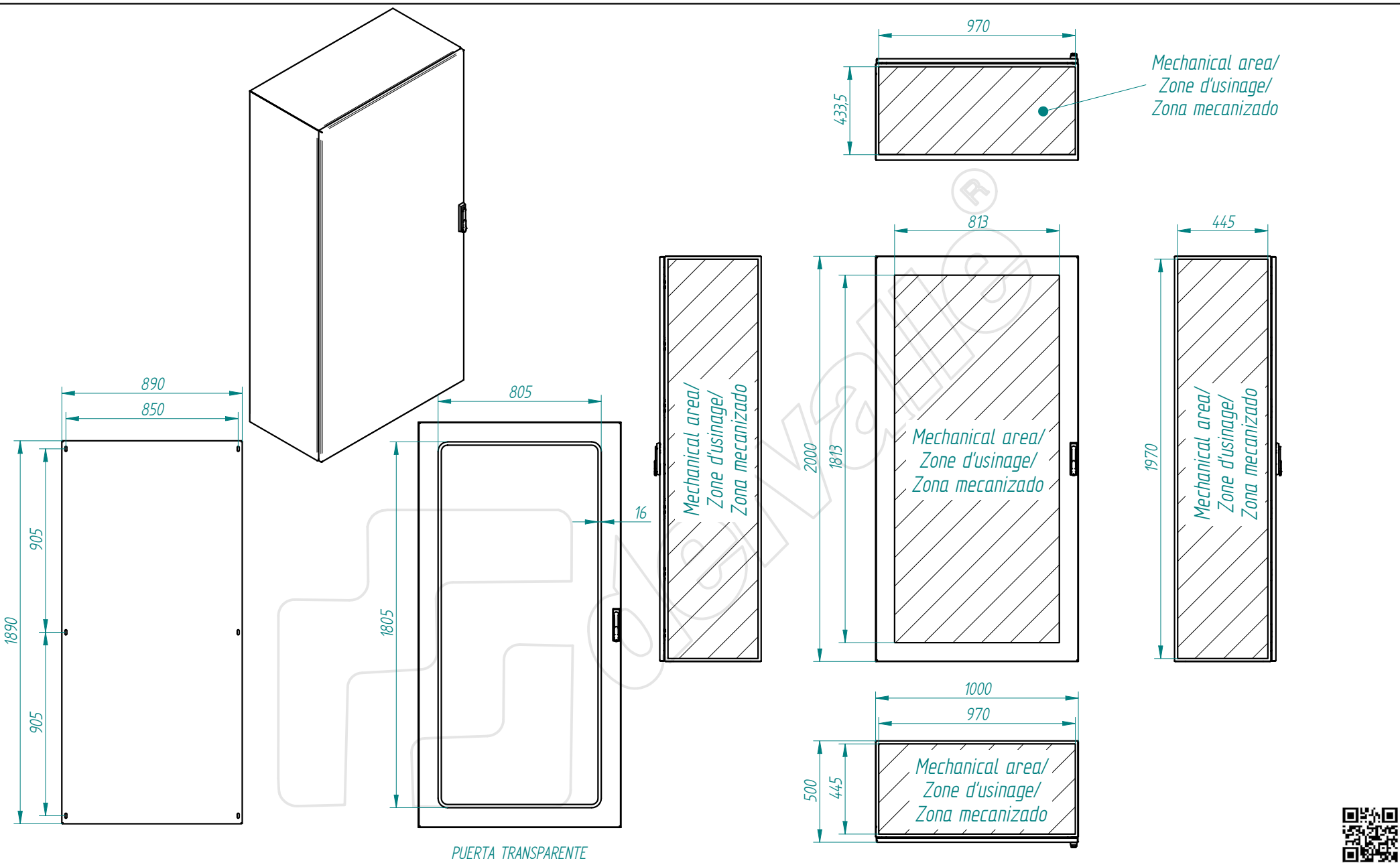


PUERTA TRANSPARENTE

TOLERANCIA GENERAL DE MECANIZACION según DIN 7168	Creación del documento	04/04/2022	D.MTNEZ	A	Referencia: - plegado: - acabado:	DIBUJADO:	04/04/2022	FIRMA:	D.Martinez	 Nº PLANO:
	MODIFICACIONES	FECHA:	FIRMA:	REVISIÓN:		APROBADO:	04/04/2022	D.Martinez		
DESIGNACIÓN:						TRIBECA1P-2000x1000x400-estandar				



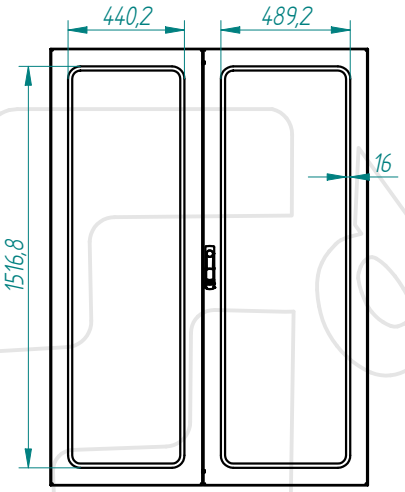
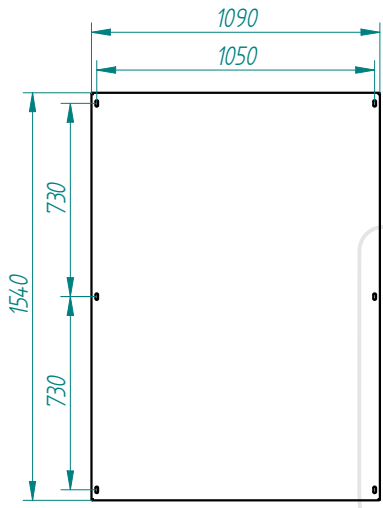
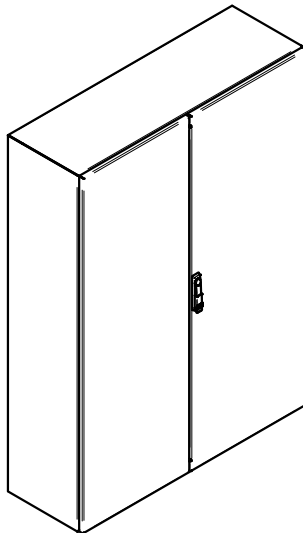
This present document and its contents are confidential and are the exclusive intellectual and / or industrial property of DELVALLE . In addition to any technology, design, invention, work, process, know-how, calculation, manual, method, solution, idea, improvement, drawing, diagram, modification, combination and, in short, any associated information involving industrial or intellectual property developed or supplied by DELVALLE on the occasion of the quote, order execution or incorporated into the design or operation of the supply. The recipient may not use such property in his favour or in that of a third party for purposes other than the fulfilment of the order and the operation and maintenance of the supply, without the prior written consent of DELVALLE. It is strictly forbidden to totally or partially reproduce this document and to misuse it and / or to show it to third parties. The infringing parties shall be required to pay the corresponding compensation for damages, and any other legal or criminal, responsible and the infringement may give rise to.



TOLERANCIA GENERAL DE MECANIZACION segun DIN 7168	Creación del documento	04/04/2022	D.MTNEZ	A	Referencia: - plegado: - acabado:	DIBUJADO:	04/04/2022	FIRMA: D.Martinez
	MODIFICACIONES	FECHA:	FIRMA:	REVISIÓN:		APROBADO:	04/04/2022	D.Martinez
DESIGNACIÓN: TRIBECA1P-2000x1000x500-estandar						Nº PLANO:		

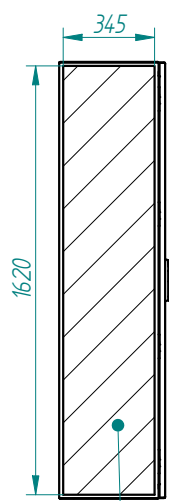
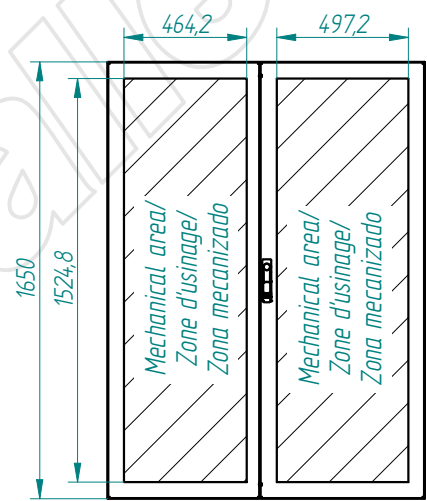
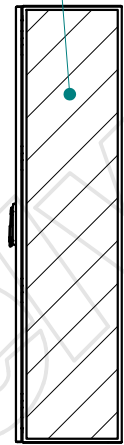
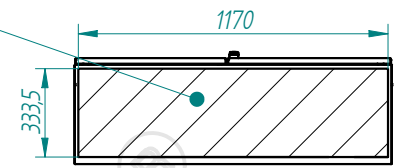


This present document and its contents are confidential and are the exclusive intellectual and / or industrial property of DELVALLE . In addition to any technology, design, invention, work, process, know-how, calculation, manual, method, solution, idea, improvement, drawing, diagram, modification, combination and, in short, any associated information or documentation involving industrial or intellectual property developed or supplied by DELVALLE on the occasion of the quote, order execution or incorporated into the design or operation of the supply. The recipient may not use such property in his favour or in that of a third party for purposes other than the fulfilment of the order and the operation and maintenance of the supply, without the prior written consent of DELVALLE. It is strictly forbidden to totally or partially reproduce this document and to misuse it and / or to show it to third parties. The infringing parties shall be required to pay the corresponding compensation for damages, and any other legal or criminal responsibility is the infringement may give rise to.

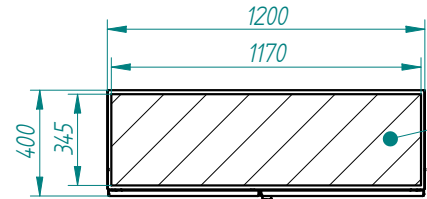



PPUERTAS TRANSPARENTES

Mechanical area/
Zone d'usinage/
Zona mecanizado

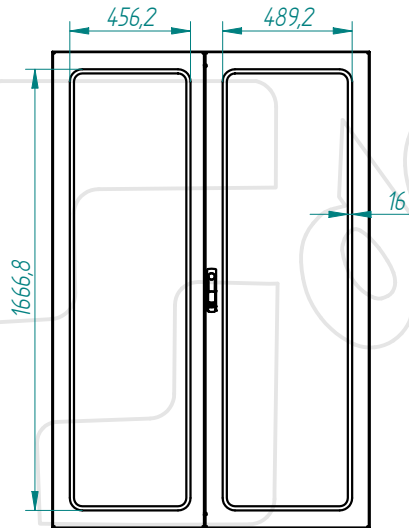
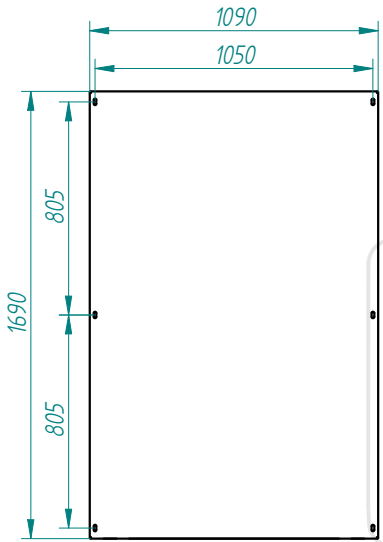
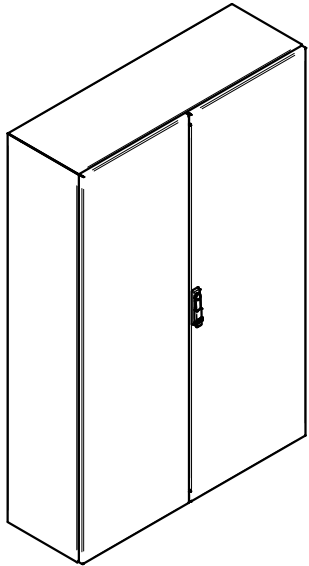


Mechanical area/
Zone d'usinage/
Zona mecanizado



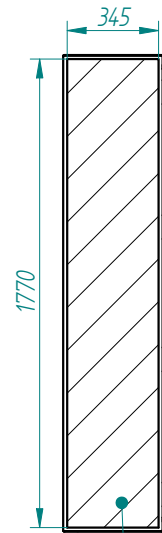
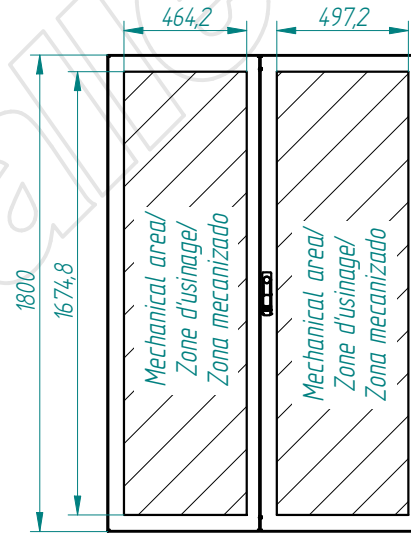
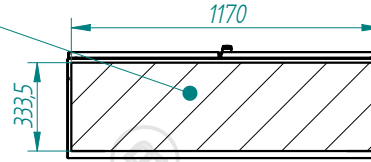
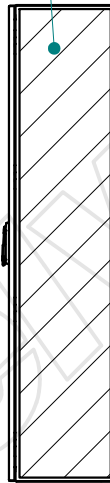
TOLERANCIA GENERAL DE MECANIZACION según DIN 7168	Creación del documento	04/04/2022	D.MTNEZ	A	Referencia: - plegado: - acabado:	DIBUJADO:	04/04/2022	FIRMA: D.Martinez	 N° PLANO:
	MODIFICACIONES	FECHA:	FIRMA:	REVISIÓN:		APROBADO:	04/04/2022	D.Martinez	
DESIGNACIÓN:						TRIBECA2P-1650x1200x400-estandar			

This present document and its contents are confidential and are the exclusive intellectual and / or industrial property of DELVALLE . In addition to any technology, design, invention, work, process, know-how, calculation, manual, method, solution, idea, improvement, drawing, diagram, modification, combination and, in short, any associated information involving industrial or intellectual property developed or supplied by DELVALLE on the occasion of the quote, order execution or incorporated into the design or operation of the supply. The recipient may not use such property in his favour or in that of a third party for purposes other than the fulfilment of the order and the operation and maintenance of the supply, without the prior written consent of DELVALLE. It is strictly forbidden to totally or partially reproduce this document and to misuse it and / or to show it to third parties. The infringing parties shall be required to pay the corresponding compensation for damages, and any other legal or criminal responsible is the infringer may give rise to.

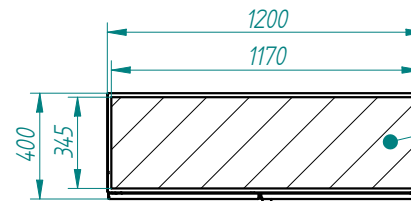



PUERTAS TRANSPARENTES

Mechanical area/
Zone d'usinage/
Zona mecanizado

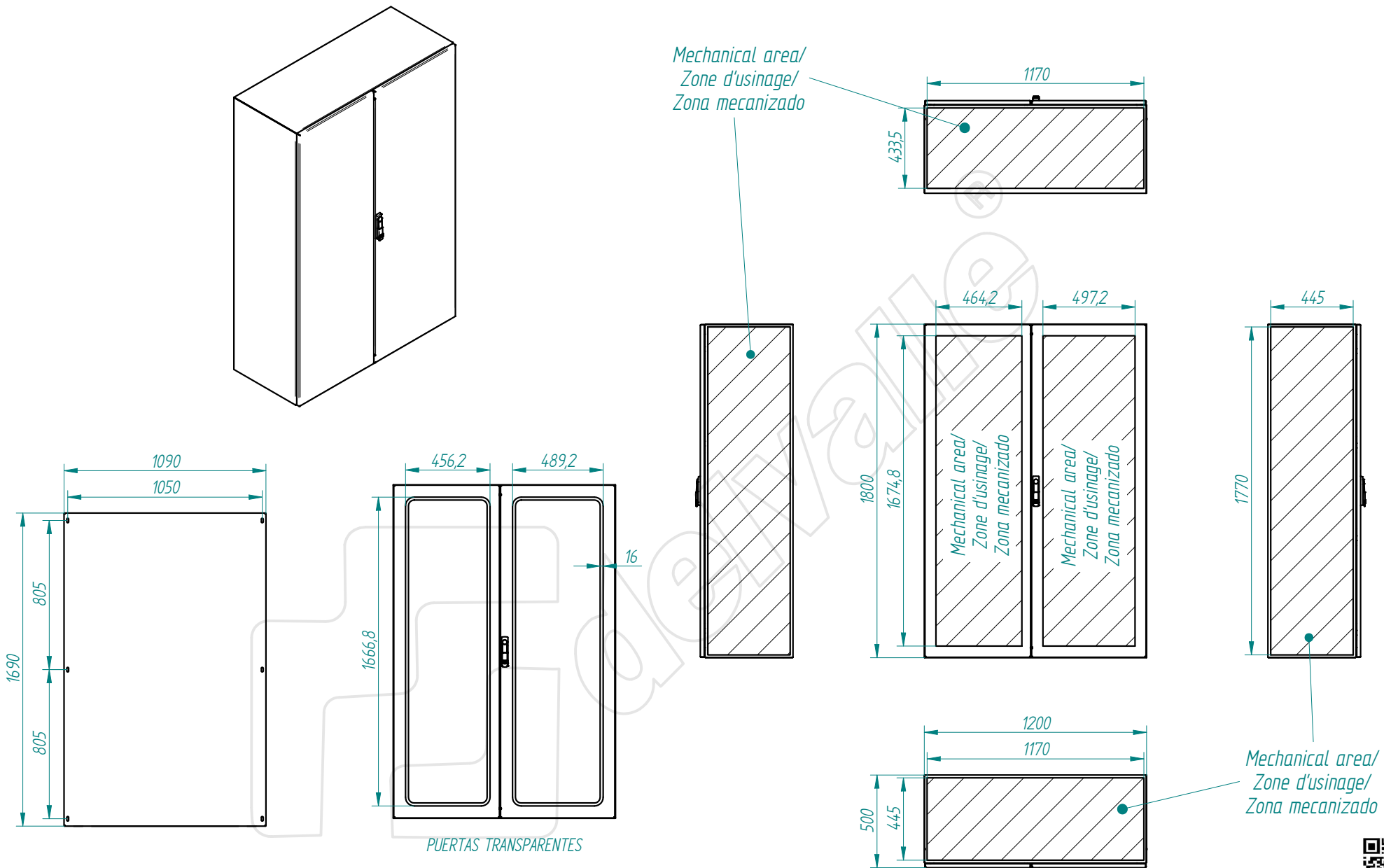


Mechanical area/
Zone d'usinage/
Zona mecanizado




TOLERANCIA GENERAL DE MECANIZACION según DIN 7168	Creación del documento	04/04/2022	D.MTNEZ	A	Referencia: - plegado: - acabado:	DIBUJADO:	04/04/2022	FIRMA: D.Martinez	 N° PLANO:
	MODIFICACIONES	FECHA:	FIRMA:	REVISIÓN:		APROBADO:	04/04/2022	D.Martinez	
DESIGNACIÓN:						TRIBECA2P-1800x1200x400-estandar			

This present document and its contents are confidential and are the exclusive intellectual and / or industrial property of DELVALLE . In addition to any technology, design, invention, work, process, know-how, calculation, manual, method, solution, idea, improvement, drawing, diagram, modification, combination and, in short, any associated information involving industrial or intellectual property developed or supplied by DELVALLE on the occasion of the quote, order execution or incorporated into the design or operation of the supply. The recipient may not use such property in his favour or in that of a third party for purposes other than the fulfilment of the order and the operation and maintenance of the supply, without the prior written consent of DELVALLE. It is strictly forbidden to totally or partially reproduce this document and to misuse it and / or to show it to third parties. The infringing parties shall be required to pay the corresponding compensation for damages, and any other legal or criminal, responsible and the infringement may give rise to.

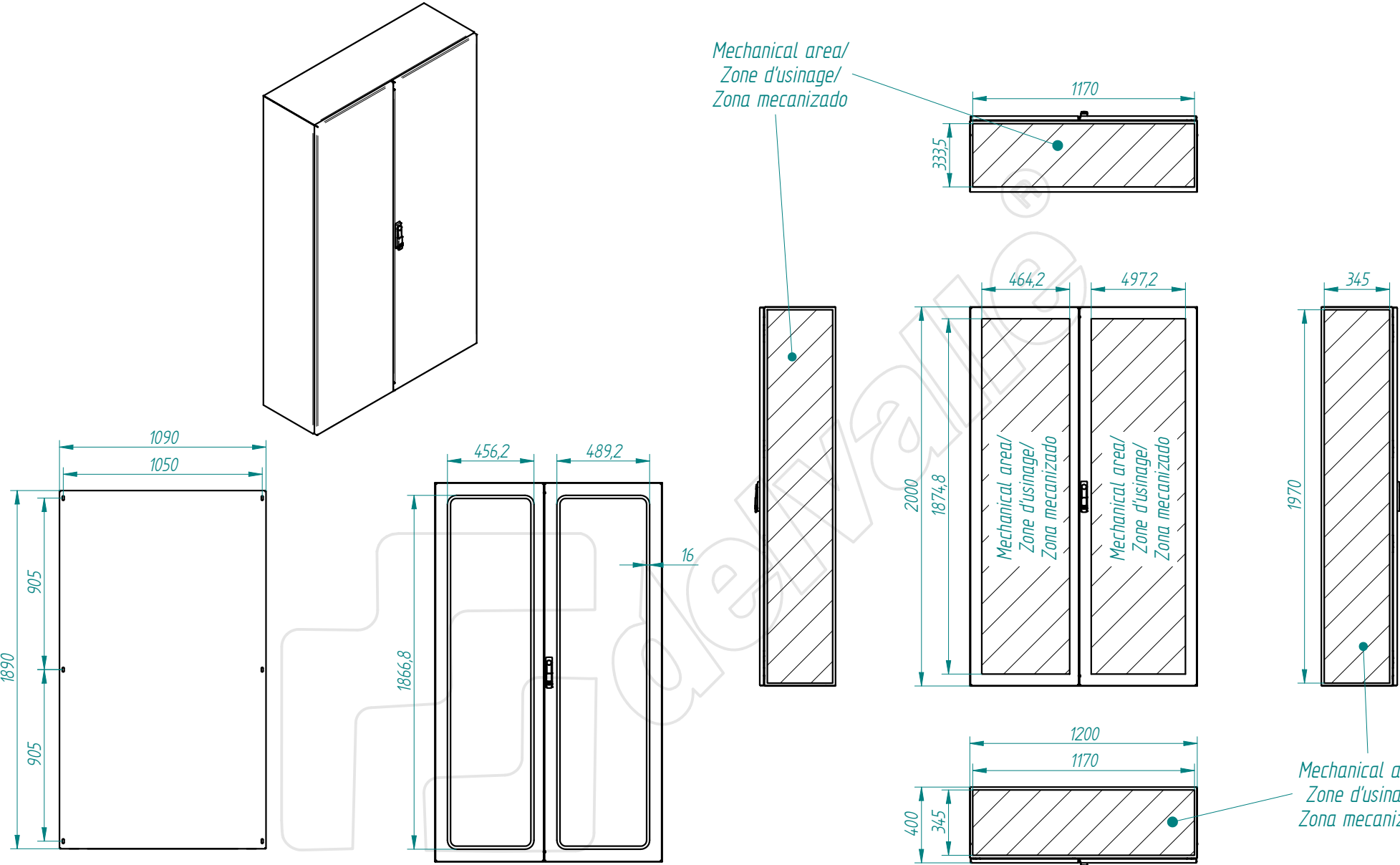


PUERTAS TRANSPARENTES

TOLERANCIA GENERAL DE MECANIZACION según DIN 7168	Creación del documento	04/04/2022	D.MTNEZ	A	Referencia: - plegado: - acabado:	DIBUJADO:	04/04/2022	FIRMA: D.Martinez	
	MODIFICACIONES	FECHA:	FIRMA:	REVISIÓN:		APROBADO:	04/04/2022	D.Martinez	
DESIGNACIÓN:						TRIBECA2P-1800x1200x500-estandar			Nº PLANO:



This present document and its contents are confidential and are the exclusive intellectual and / or industrial property of DELVALLE. In addition to any technology, design, invention, work, process, know-how, calculation, manual, method, solution, idea, improvement, drawing, diagram, modification, combination and, in short, any associated information involving industrial or intellectual property developed or supplied by DELVALLE on the occasion of the quote, order execution or incorporated into the design or operation of the supply. The recipient may not use such property in his favour or in that of a third party for purposes other than the fulfilment of the order and the operation and maintenance of the supply, without the prior written consent of DELVALLE. It is strictly forbidden to totally or partially reproduce this document and to misuse it and / or to show it to third parties. The infringing parties shall be required to pay the corresponding compensation for damages, and any other legal or criminal, responsible and the infringement may give rise to.

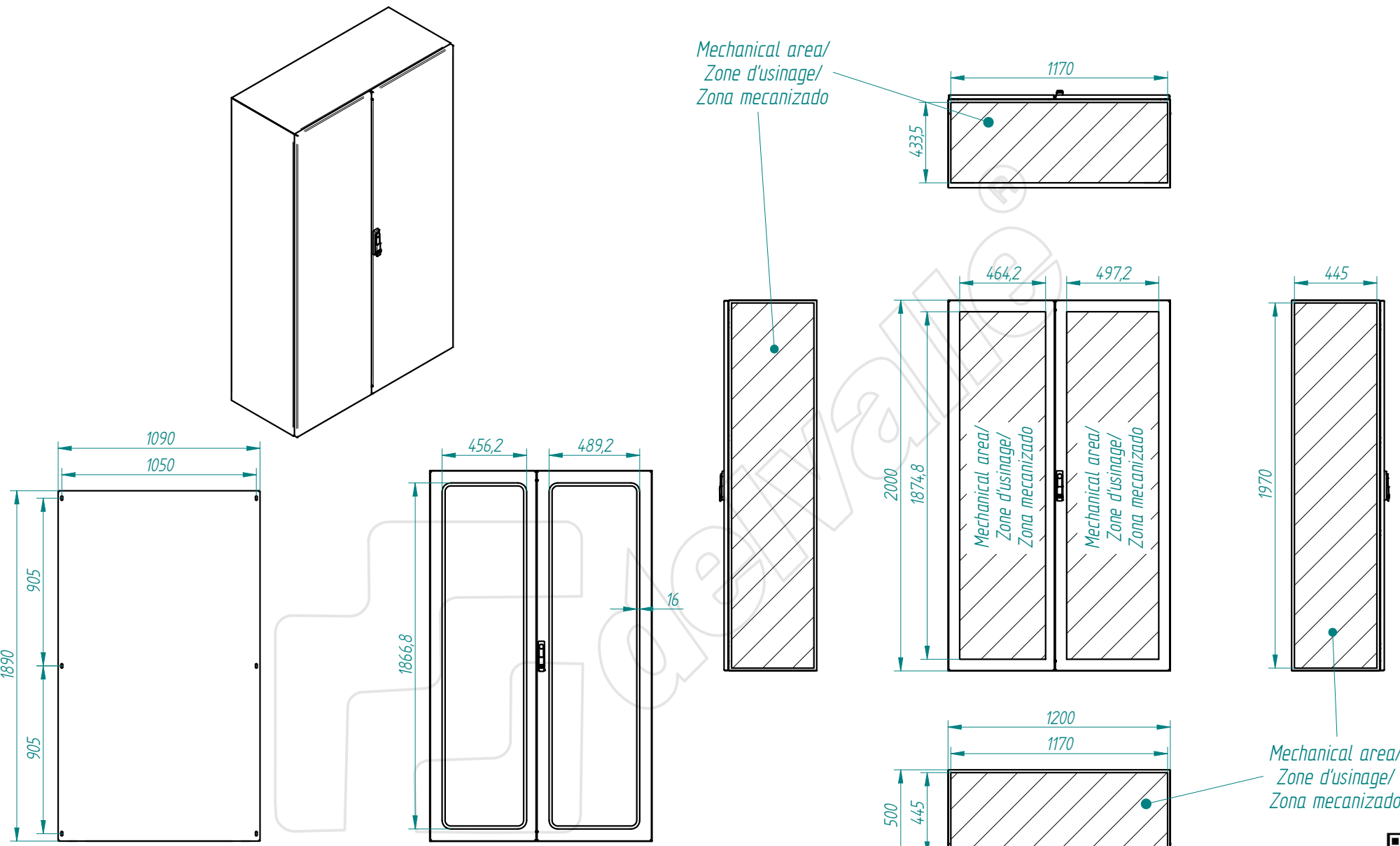


PUERTAS TRANSPARENTES


TOLERANCIA GENERAL DE MECANIZACION según DIN 7168	Creación del documento	04/04/2022	D.MTNEZ	A	Referencia: - plegado: - acabado:	DIBUJADO:	04/04/2022	FIRMA: D.Martinez
	MODIFICACIONES	FECHA:	FIRMA:	REVISIÓN:		APROBADO:	04/04/2022	D.Martinez
DESIGNACIÓN:						TRIBECA2P-2000x1200x400-estandar		
Nº PLANO:								



This present document and its contents are confidential and are the exclusive intellectual and / or industrial property of DELVALLE. In addition to any technology, design, invention, work, process, know-how, calculation, manual, method, solution, idea, improvement, drawing, diagram, modification, combination and, in short, any associated information involving industrial or intellectual property developed or supplied by DELVALLE on the occasion of the quote, order execution or incorporation into the design or operation of the supply. The recipient may not use such property in his favour or in that of a third party for purposes other than the fulfilment of the order and the operation and maintenance of the supply, without the prior written consent of DELVALLE. It is strictly forbidden to totally or partially reproduce this document and to misuse it and / or to show it to third parties. The infringing parties shall be required to pay the corresponding compensation for damages, and any other legal or criminal responsible for the infringement may give rise to.

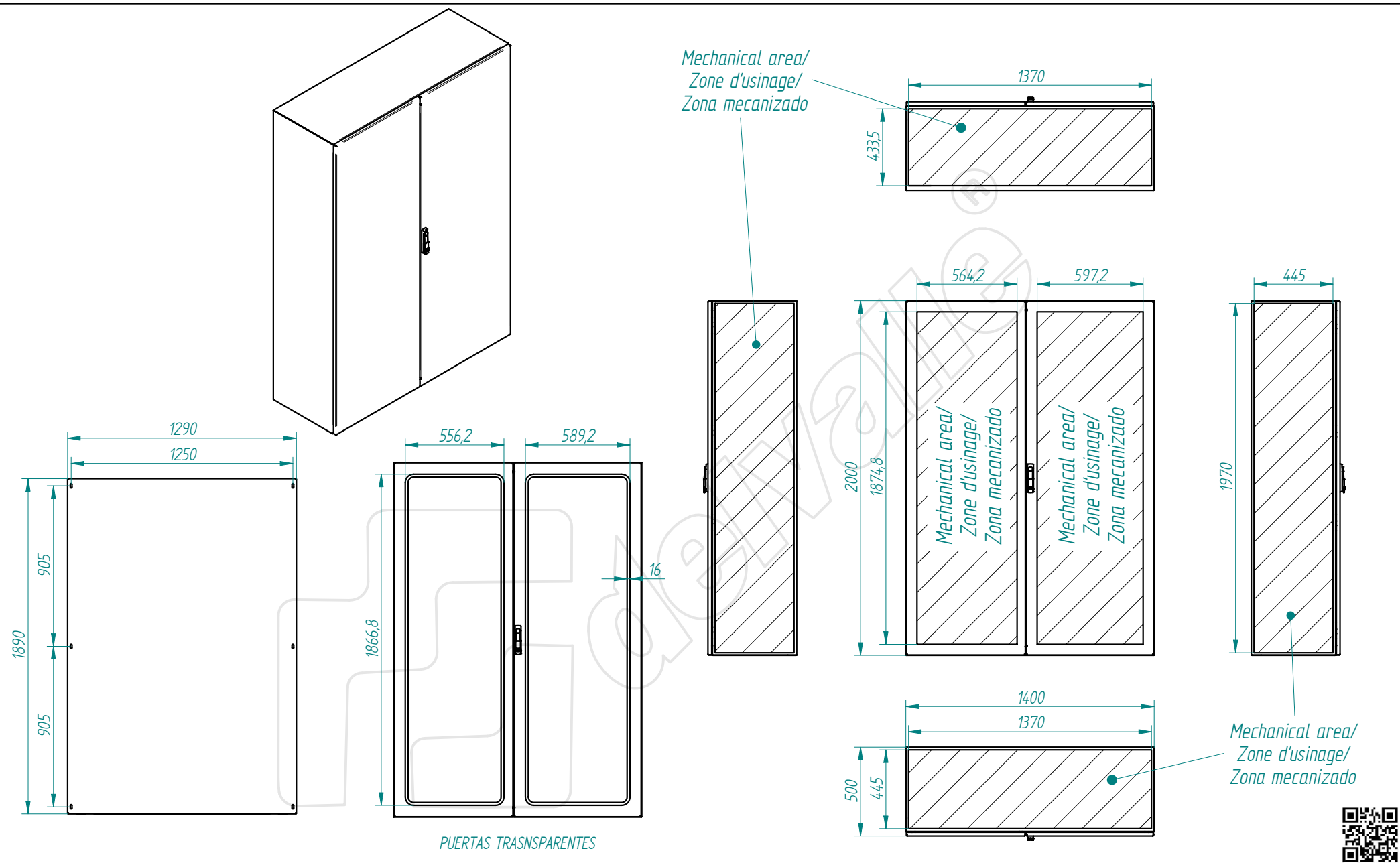


PUERTAS TRANSPARENTES


TOLERANCIA GENERAL DE MECANIZACION según DIN 7168	Creación del documento	04/04/2022	D.MTNEZ	A	Referencia: - plegado: - acabado:	DIBUJADO:	04/04/2022	FIRMA: D.Martinez	
	MODIFICACIONES	FECHA:	FIRMA:	REVISIÓN:		APROBADO:	04/04/2022	D.Martinez	
DESIGNACIÓN:						TRIBECA2P-2000x1200x500-estandar			Nº PLANO:



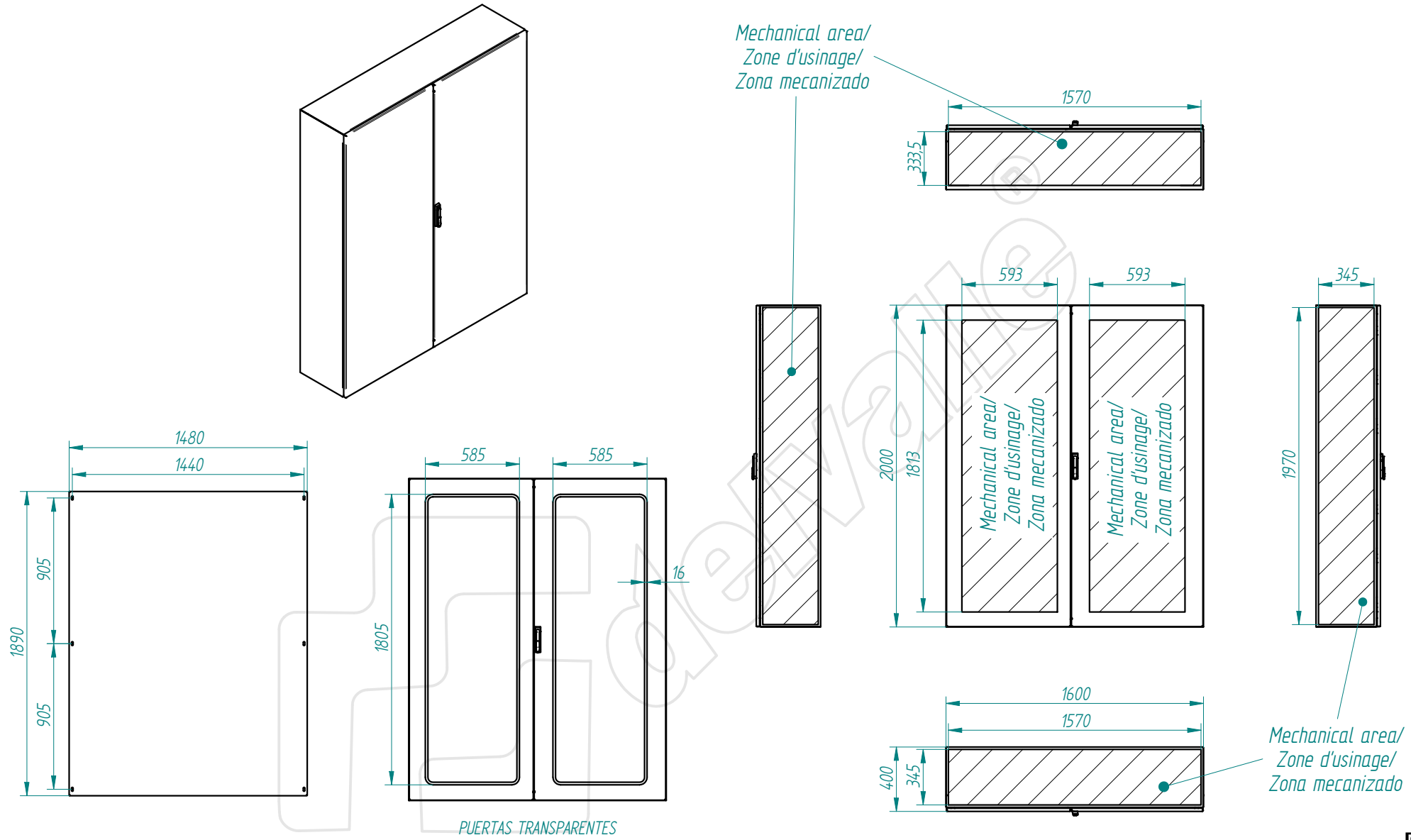
This present document and its contents are confidential and are the exclusive intellectual and / or industrial property of DELVALLE. In addition to any technology, design, invention, work, process, know-how, calculation, manual, method, solution, idea, improvement, drawing, diagram, modification, combination and, in short, any associated information involving industrial or intellectual property developed or supplied by DELVALLE on the occasion of the quote, order execution or incorporated into the design or operation of the supply. The recipient may not use such property in his favour or in that of a third party for purposes other than the fulfilment of the order and the operation and maintenance of the supply, without the prior written consent of DELVALLE. It is strictly forbidden to totally or partially reproduce this document and to misuse it and / or to show it to third parties. The infringing parties shall be required to pay the corresponding compensation for damages, and any other legal or criminal responsible is the infringement may give rise to.



PUERTAS TRANSPARENTES

TOLERANCIA GENERAL DE MECANIZACION según DIN 7168	Creación del documento	04/04/2022	D.MTNEZ	A	Referencia: - plegado: - acabado:	DIBUJADO:	04/04/2022	FIRMA: D.Martinez	 N° PLANO:
	MODIFICACIONES	FECHA:	FIRMA:	REVISIÓN:		APROBADO:	04/04/2022	D.Martinez	
DESIGNACIÓN:						TRIBECA2P-2000x1400x500-estandar			

This present document and its contents are confidential and are the exclusive intellectual and / or industrial property of DELVALLE . In addition to any technology, design, invention, work, process, know-how, calculation, manual, method, solution, idea, improvement, drawing, diagram, modification, combination and, in short, any associated information involving industrial or intellectual property developed or supplied by DELVALLE on the occasion of the quote, order execution or incorporated into the design or operation of the supply. The recipient may not use such property in his favour or in that of a third party for purposes other than the fulfilment of the order and the operation and maintenance of the supply, without the prior written consent of DELVALLE. It is strictly forbidden to totally or partially reproduce this document and to misuse it and / or to show it to third parties. The infringing parties shall be required to pay the corresponding compensation for damages, and any other legal or criminal responsibility is the infringement may give rise to.



TOLERANCIA GENERAL DE MECANIZACION según DIN 7168				
	Creación del documento	04/04/2022	D.MTNEZ	A
	MODIFICACIONES	FECHA:	FIRMA:	REVISIÓN:

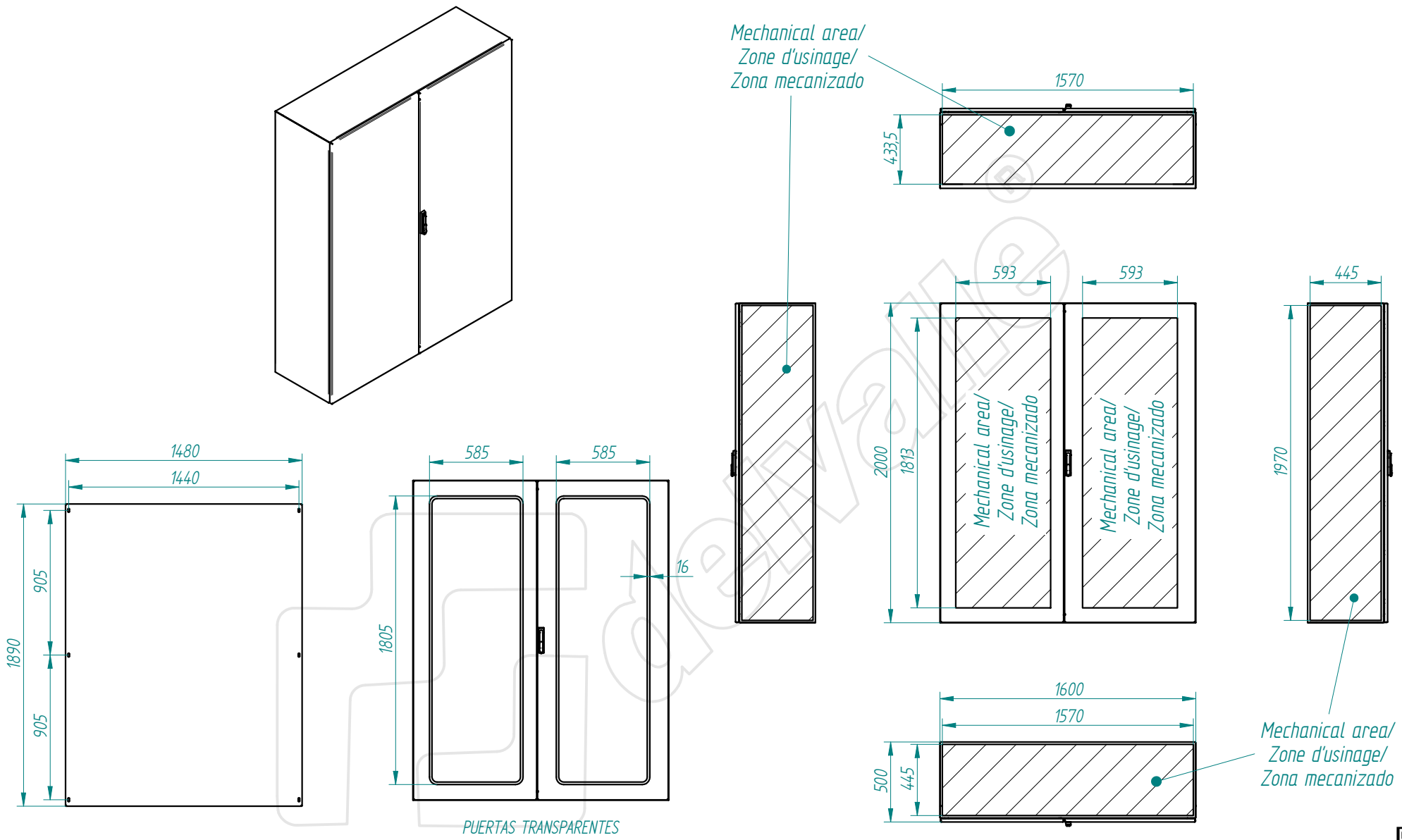
Referencia:	DIBUJADO:	FECHA:	FIRMA:
	APROBADO:	04/04/2022	D.Martinez
DESIGNACIÓN:			Nº PLANO:
TRIBECA2P-2000x1600x400-estandar			




delvalle



This present document and its contents are confidential and are the exclusive intellectual and / or industrial property of DELVALLE . In addition to any technology, design, invention, work, process, know-how, calculation, manual, method, solution, idea, improvement, drawing, diagram, modification, combination and, in short, any associated information or documentation involving industrial or intellectual property developed or supplied by DELVALLE on the occasion of the quote, order execution or incorporated into the design or operation of the supply. The recipient may not use such property in his favour or in that of a third party for purposes other than the fulfilment of the order and the operation and maintenance of the supply, without the prior written consent of DELVALLE. It is strictly forbidden to totally or partially reproduce this document and to misuse it and / or to show it to third parties. The infringing parties shall be required to pay the corresponding compensation for damages, and any other legal or criminal responsible is the infringer may give rise to.



TOLERANCIA GENERAL DE MECANIZACION según DIN 7168	Creación del documento	04/04/2022	D.MTNEZ	A	Referencia: - plegado: - acabado:	DIBUJADO:	04/04/2022	FIRMA:	D.Martínez	 N° PLANO:
	MODIFICACIONES	FECHA:	FIRMA:	REVISIÓN:		DESIGNACIÓN:	04/04/2022	D.Martínez	TRIBECA2P-2000x1600x500-estandar	

