



Enclosures & Cabinets for Special Requirements  
comercial@delvalle.es | www.delvallebox.com

# ENCLOSURE WORKSTATION HMI'S IP65





## WE PUT AT YOUR DISPOSAL

We offer over **45 years** providing solutions to demanding customers who require very specific characteristics and behaviour according to the sector and their needs.

## WHEREVER YOU GO

We are committed to working closely with our customers, providing them with **exceptional service** and offering an advanced and extensive range of products with very competitive prices.

## HIGH STANDARD OF QUALITY AND SERVICES

We only use materials provided by companies who offer the very **highest quality**, suitable and certified products. Our success is due to top quality assurance: ISO 9001, SGS, UL, TÜV, ISO 14000 and Ohsas 18001.

## CUSTOMIZE TOTALLY YOUR ENCLOSURE

Our production systems can give custom-made solutions **on demand**. Every colour from RAL chart is available to be personalized. A variety of protection standards thanks to our own painting facilities.

### CONTACT US

Confidentiality, reliability & quality

www.delvallebox.com  
comercial@delvalle.es  
+34 945 601 381

ALSO ONLINE

### Please contact our technical sales department

A team of professionals with high experience and ability to solve all your queries





Example

## Protects Against Dust, Dirt and Moisture

Computer enclosures, designed for industrial environments subject to dust, dirt and moisture, manufactured in stainless steel AISI 304L. Gives protection and storage for equipment used in manufacturing, computers and peripherals, without skimping on design and functionality. Its perfect ergonomics make it the best option for integration, in machines or production processes, with proper stand up handling by the operator, thanks to the ideal height of the cabinet. Additionally, it can be linked to our modular cabinets or 19" racks, and added accessories, such as adjustable trays at the bottom for placing all types of components.

[→ FOR MORE INFORMATION CLICK HERE](#)

## APPLICATIONS

Our computer enclosures given their design, finishing and sealing are especially designed for industrial, manufacturing and processing plants, and more specifically jobs for industrial equipment, workshops, warehouses, production lines, as well as machine tools.

## ADVANTAGES

- With transparent door for the control panel.
- Sliding tray table for keyboard.
- High mechanical properties and resistant to twisting.
- Protects against dust, dirt and moisture.
- Automatic condensation elimination due to its exclusive design.
- Injected waterproof seal preventing moisture build up.

## OPTIONS

- Possibility to place in the lower door a rack or mounting plate.
- Additional trays for a printer, paper, etc.
- Mounting standard PC or 19" rack.
- Other designs and painting available on request.
- Plinth at base for any enclosure size to lift it above the ground giving extra cable space heights available 100 and 200 mm.
- Stainless Steel AISI 316L, EN 14404
- Fasteners and anchors included to secure it to the floor.
- Fan.
- Delvalle make to order any pre-cut units to suit your needs, including holes, channels, both in the door and in the enclosure itself.

## NORMATIVE

- IP65 Norm IEC 60529.
- Maximum IK10 resistance Norm IEC 62262.
- Compliant for materials intended to come into contact with food EC 1935/2004.
- RoHs compliant.
- Built to CE standards 2014/35/UE.



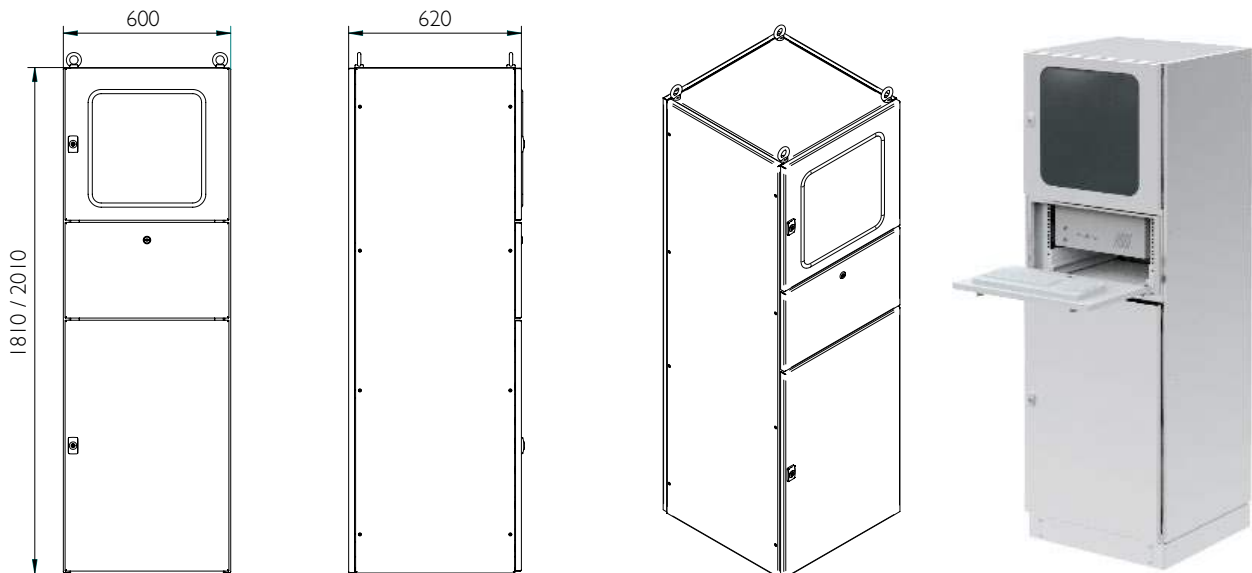
STAINLESS  
ANTICORROSIVE  
GUARANTEE



MECHANICAL PARTS  
GUARANTEE

## PLAN AND REFERENCES

[CLICK HERE TO DOWNLOAD THE FILES CAD - PLANS - CERTIFICATES](#)



REFERENCES	DIMENSIONS (mm)		
REFERENCES	HEIGHT	ANCHO	DEPTH
MVAG186060	1810	600	620
MVAG206060	2010	600	620

# STAINLESS STEEL PC COMPACT ENCLOSURE IP65



Example

**Protects Against Dust,  
Dirt and Moisture**

PC compact enclosure designed for industrial environments with dust, dirt and moisture, made of stainless steel AISI 304L.

For a stylish and functional computer, this design allows you to keep the computer and its peripherals, in perfect condition in manufacturing plants and it can be integrated seamlessly to machines.

Our compact enclosures for PC given its design, finish and seal are specially designed for industrial, manufacturing and processing plants, as well as more jobs specially for industrial workshops, warehouses, production lines, with machines, tools...



**10**  
YEARS  
STAINLESS  
ANTICORROSIVE  
GUARANTEE



**5**  
YEARS  
MECHANICAL PARTS  
GUARANTEE



**FOR MORE INFORMATION CLICK HERE**



# STAINLESS STEEL PC COMPACT ENCLOSURE IP65

## APPLICATIONS

Our compact enclosures for PC given its design, nish and seal are specially designed for industrial, manufacturing and processing plants, as well as more jobs specially for industrial workshops, warehouses, production lines, with machines, tools...

## OPTIONS

- Custom made based on your needs
- Special paintwork and designs by request.
- Stainless steel AISI 316L, EN 14404.
- Fan.

## ADVANTAGES

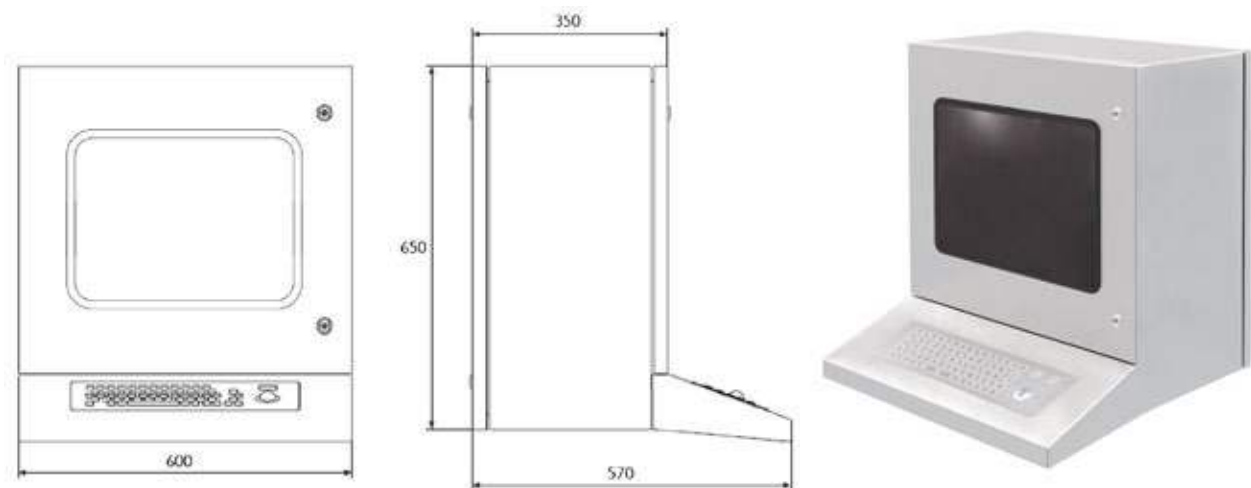
- With transparent door for monitor
- Perfect for integration into machinery
- Great mechanical properties and high resistance to torsion
- Protect tip from dust, moisture and dirt
- With injected water repellent seal so that moisture can't be accumulate

## NORMATIVE

- IP65 Norm IEC 60529.
- Maximum IK10 resistance Norm IEC 62262.
- Built to CE standards 2014/35/UE.

## PLAN AND REFERENCES

[CLICK HERE TO DOWNLOAD THE FILES CAD - PLANS - CERTIFICATES](#)



REFERENCES	DIMENSIONS (mm)		
REFERENCES	HEIGHT	ANCHO	DEPTH
MVAN656035	650	600	570 / 350

## DELVALLE OFFERS OTHER SOLUTIONS

[www.delvallebox.com](http://www.delvallebox.com)

[comercial@delvalle.es](mailto:comercial@delvalle.es)

+34 945 601 381

ALSO ONLINE

→ FOR MORE INFORMATION CLICK HERE

STAINLESS STEEL  
INDUSTRIAL ENCLOSURES



OUTDOOR HEAVY DUTY  
ELECTRICAL ENCLOSURES



OUTDOOR TELECOM 19  
RACKS & CABINETS



GALVANIZED STEEL  
ELECTRICAL ENCLOSURES



HYGIENIC DESIGN ENCLOSURES



ALUMINIUM ELECTRICAL  
ENCLOSURES





**Consult us  
without obligation**

*Confidentiality, reliability & quality*

## DELVALLE OFFERS OTHER SOLUTIONS

[www.delvallebox.com](http://www.delvallebox.com)

[comercial@delvalle.es](mailto:comercial@delvalle.es)

+34 945 601 381

ALSO ONLINE

→ FOR MORE INFORMATION CLICK HERE

### WATERPROOF SHEET STEEL ELECTRICAL ENCLOSURES



### CLIMATE CONTROL COOLING FOR ELECTRICAL ENCLOSURES



### NEMA ELECTRICAL ENCLOSURE TYPE 1-3R-4X-12



### MODULAR DISTRIBUTION ENCLOSURES



### EMC ELECTRICAL ENCLOSURES SOLUTIONS



### CABLE GLANDS & ENTRY SEALS FOR CABINETS





Enclosures & Cabinets for Special Requirements



Paso del Prao, 6. 01320 Oyón (Álava). Spain  
P. +34 945 601 381  
[www.delvallebox.com](http://www.delvallebox.com) - [comercial@delvalle.es](mailto:comercial@delvalle.es)  
**Contact us, we will be available at any time**

