



comercial@delvalle.es | www.delvallebox.com

PHI20 FIRE & FLAME RATED ENCLOSURE

GEO FIRE SERIES IP66



STAINLESS
ANTICORROSIVE
GUARANTEE



MECHANICAL PARTS
GUARANTEE





WE PUT AT YOUR DISPOSAL

We offer over **45 years** providing solutions to demanding customers who require very specific characteristics and behaviour according to the sector and their needs.

WHEREVER YOU GO

We are committed to working closely with our customers, providing them with **exceptional service** and offering an advanced and extensive range of products with very competitive prices.

HIGH STANDARD OF QUALITY AND SERVICES

We only use materials provided by companies who offer the very **highest quality**, suitable and certified products. Our success is due to top quality assurance: ISO 9001, SGS, UL, TÜV, ISO 14000 and Ohsas 18001.

CUSTOMIZE TOTALLY YOUR ENCLOSURE

Our production systems can give custom-made solutions **on demand**. Every colour from RAL chart is available to be personalized. A variety of protection standards thanks to our own painting facilities.

CONTACT US

Confidentiality, reliability & quality

www.delvallebox.com
comercial@delvalle.es
+34 945 601 381

ALSO ONLINE

Please contact our technical sales department

A team of professionals with high experience and ability to solve all your queries



PHI20 FIRE & FLAME RATED ENCLOSURE

GEO FIRE SERIES IP66



Examples



The Fire Geo Series Offers Electrical and Safety Fire and Flame Resistance

Delvalle enclosures have been successfully tested to in fire standards. PHI20, according UNE EN 50200. Fire resistant enclosures and junction boxes are used to maintain electrical and electronic circuit integrity to emergency lighting, power and control cables.

Delvalle designs and manufacture:

- Fire and flame rated enclosures
- Fire rated junction boxes
- Fire rated cabinets depending on their location and for areas with the possibility of high temperature, they are designed with the tightness required for Fire Rated Enclosures (IP66) depending on their location and with the maximum durability to the corrosion, it is possible use AISI 304L / AISI 316L (high corrosion protection).

We custom made fire and flame rated enclosures. We have different sizes and customized designs for a fire rated junction boxes with screw openings or with hinges.



[FOR MORE INFORMATION CLICK HERE](#)



APPLICATIONS

- Tunnels, subway and highway.
- Railway
- Military
- Maritime
- Fire rated

ADVANTAGES

PHI20, ensures electrical continuity for 120 minutes at 842°C constant temperature. The fire and flame rated enclosure has excellent resistance to ozone, corrosion, oxidation, UV light, cosmic and ionizing radiation, general weathering.

- Waterproof IP66 optimal functioning in adverse temperature and humidity conditions.
- Ceramic terminals.
- Anticorrosive, manufactured in stainless steel AISI304L.



OPTIONS

- Customized sizes and designs.
- Opening with hinges.
- Wall mounted supports.
- AISI 316L (marine).
- Accessory for padlock.
- Polyester coating orange RAL 2004.

NORMATIVE

- UNE EN 50200 Fire Rated
- 2 hours PHI20 842°C.
- IP66 (W) according IEC EN 62208.
- Maximum IK10 resistance norm IEC 62208 and EN 62262.
- Manufactured following UE Directive low voltage 2014/35/UE
- Certificate UL Nema 4x, 12, 3r, I. N° File E342220.
- Resistance to corrosion C5M, according ISO 12944 (AISI 316L).
- RoHs certificate.
- WRAS (Water Regulations Advisory Scheme), num. Lista 1310541.

EFFICIENCY TEST

PHI20, ensures electrical continuity for 120 minutes at 842°C constant temperature.



DIFFERENT TYPE OF TERMINALS

TERMINAL TYPE BLOCK TABLE		
REFERENCES	SECTION	Nº TERMINALS
TCF4-1	1,5 a 4mm ²	1
TCF4-2	1,5 a 4mm ²	2
TCF4-3	1,5 a 4mm ²	3
TCF4-4	1,5 a 4mm ²	4
TCF6-1	2,5 a 6mm ²	1
TCF6-2	2,5 a 6mm ²	2
TCF6-3	2,5 a 6mm ²	3
TCF6-4	2,5 a 6mm ²	4
TCF10-1	4 a 10mm ²	1
TCF10-2	4 a 10mm ²	2
TCF10-3	4 a 10mm ²	3
TCF10-4	4 a 10mm ²	4
TCF16-1	6 a 16mm ²	1
TCF16-2	6 a 16mm ²	2
TCF16-3	6 a 16mm ²	3
TCF16-4	6 a 16mm ²	4

Ceramic connectors for connection cables in equipment and electrical installations type block.

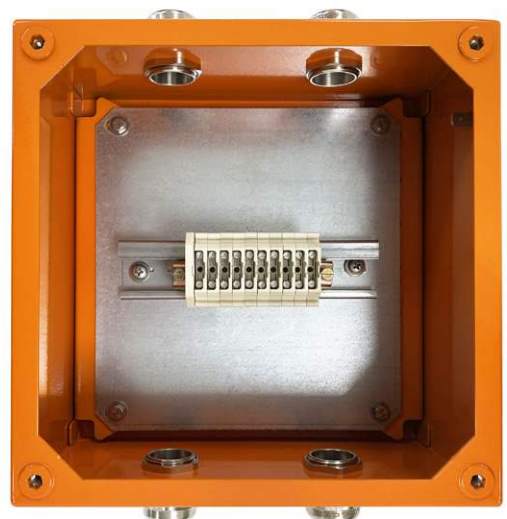
- Porcelain block.
- Connection capacity until 16mm².
- Voltage max: 450V.
- Current max: 76 A.



Ceramic terminals for connection of cables in individual type electrical equipment and installations.

- Porcelain terminal.
- Connection capacity until 35mm².
- Voltage max: 800V.
- Current max: 125 A.

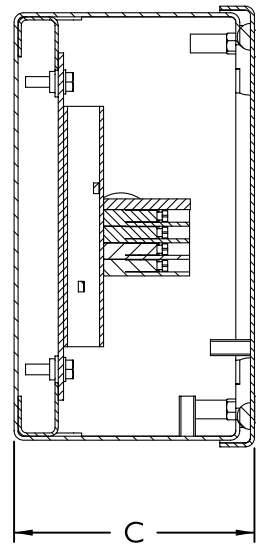
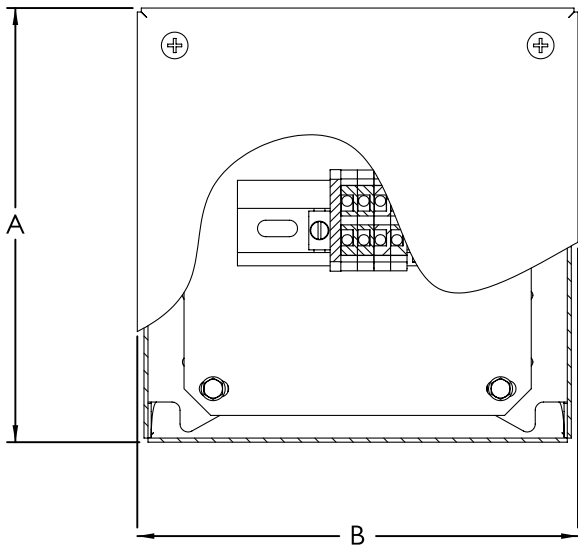
TERMINAL INDIVIDUAL TYPE TABLE	
REFERENCES	SECTION
BTFR25	0,2 a 4mm ²
BTFR10	0,5 a 10mm ²
BTFR16	0,5 a 16mm ²
BTFR35	1 a 35mm ²



PHI20 FIRE & FLAME RATED ENCLOSURE **GEO FIRE SERIES** IP66

PLAN

➔ [CLICK HERE TO DOWNLOAD THE FILES CAD - PLANS - CERTIFICATES](#)



5
YEARS

MECHANICAL PARTS
GUARANTEE

10
YEARS

STAINLESS
ANTICORROSIVE
GUARANTEE

REFERENCES

GEO FIRE REFERENCES	DIMENSIONS (mm)			TERMINALS					
	HIGH - A -	WIDTH - B -	DEPTH - C -	2.5 mm	4 mm	6 mm	10 mm	16 mm	35 mm
GEO121280FR	120	120	80	8	8	4	-	-	-
GEO121680FR	120	160	80	12	12	8	8	6	-
GEO132690FR	130	260	90	24	24	20	12	12	-
GEO151580FR	150	150	80	10	10	6	6	4	-
GEO161690FR	160	160	90	12	12	8	8	6	-
GEO162690FR	160	260	90	24	24	20	12	12	10
GEO252512FR	250	250	120	24	24	20	12	12	10
GEO253512FR	250	350	120	32	32	24	20	16	14
GEO254015FR	250	400	150	36	36	28	24	20	16
GEO404015FR	400	400	150	72	72	65	48	40	16
GEO256015FR	250	600	150	52	52	44	40	32	24
GEO406015FR	400	600	150	104	104	88	80	64	24
GEO605025FR	600	500	250	104	104	88	80	64	40
GEO606015FR	600	600	300	156	156	132	120	96	50

DELVALLE OFFERS CUSTOMIZED SOLUTIONS

www.delvallebox.com

comercial@delvalle.es

+34 945 601 381

→ FOR MORE INFORMATION CLICK HERE

ALSO ONLINE

STAINLESS STEEL INDUSTRIAL ENCLOSURES



OUTDOOR HEAVY DUTY ELECTRICAL ENCLOSURES



OUTDOOR TELECOM 19 RACKS & CABINETS



GALVANIZED STEEL ELECTRICAL ENCLOSURES



HYGIENIC DESIGN ENCLOSURES



ALUMINIUM ELECTRICAL ENCLOSURES



DELVALLE OFFERS CUSTOMIZED SOLUTIONS

www.delvallebox.com

comercial@delvalle.es

+34 945 601 381

→ FOR MORE INFORMATION CLICK HERE

ALSO ONLINE

WATERPROOF SHEET STEEL ELECTRICAL ENCLOSURES



CLIMATE CONTROL COOLING FOR ELECTRICAL ENCLOSURES



NEMA ELECTRICAL ENCLOSURE TYPE 1-3R-4X-12



MODULAR DISTRIBUTION ENCLOSURES



EMC ELECTRICAL ENCLOSURES SOLUTIONS



CABLE GLANDS & ENTRY SEALS FOR CABINETS





Paso del Prao, 6. 01320 Oyón (Álava). Spain

T. +34 945 601 381

comercial@delvalle.es | www.delvallebox.com

Contact us, we will be available at any time

