



comercial@delvalle.es | www.delvallebox.com

PUSH-BUTTON AND JUNCTION STAINLESS STEEL BOX

GEO SERIES IP66



STAINLESS
ANTICORROSIVE
GUARANTEE



MECHANICAL PARTS
GUARANTEE





WE PUT AT YOUR DISPOSAL

We offer over **45 years** providing solutions to demanding customers who require very specific characteristics and behaviour according to the sector and their needs.

WHEREVER YOU GO

We are committed to working closely with our customers, providing them with **exceptional service** and offering an advanced and extensive range of products with very competitive prices.

HIGH STANDARD OF QUALITY AND SERVICES

We only use materials provided by companies who offer the very **highest quality**, suitable and certified products. Our success is due to top quality assurance: ISO 9001, SGS, UL, TÜV, ISO 14000 and Ohsas 18001.

CUSTOMIZE TOTALLY YOUR ENCLOSURE

Our production systems can give custom-made solutions **on demand**. Every colour from RAL chart is available to be personalized. A variety of protection standards thanks to our own painting facilities.

CONTACT US

Confidentiality, reliability & quality

www.delvallebox.com
comercial@delvalle.es
+34 945 601 381

ALSO ONLINE

Please contact our technical sales department

A team of professionals with high experience and ability to solve all your queries



PUSH-BUTTON AND JUNCTION STAINLESS STEEL BOX

GEO SERIES IP66



Examples



Strength, Durability and Long Life

Geo Series push-button and junction boxes, elegant watertight boxes made wholly in finely polished AISI 304L EN-14306 stainless steel available in plain or bored covers (22.5). Specially designed for placing push-buttons.

Offering a huge selection of configurations, sizes, styles and finishes, you are sure to find junction boxes to meet the demands of your installation.

➔ [FOR MORE INFORMATION CLICK HERE](#)



APPLICATIONS

Especially designed and officially approved for food, chemical, pharmaceutical, transformer and telecommunication industries for use both inside and outside, due to the advantages of high resistance to chemical agents and durability.



NORMATIVE

- IP55 or IP66 (W) Norm EN 62208 / EN 60529.
- DIN EN ISO 14159 Machine safety – hygiene requirements pertaining to the design of machinery.
- Machinery Directive 2006/42/EC. Food machinery and cosmetic or pharmaceutical production.
- EHEDG Guideline Hygienic Design doc. I3 machinery for open processes.
- DIN EN 1672-2-2005 for food industry machinery.
- Maximum IK10 resistance Norm IEC 62208 and EN 50102.
- Manufactured following EU low voltage ruling 2014/35/UE.
- RoHS Directive 2011/65/UE compliant.
- UL approval Nema 4x, 12, 3r, 1. N° File E342220.
- Maximum voltage 1000V.
- Temperature resistant: -40°C +100°C (short time +160°C).
- Option silicone gasket: from -60°C to +180°C (short time up to +350°C)

OPTIONS

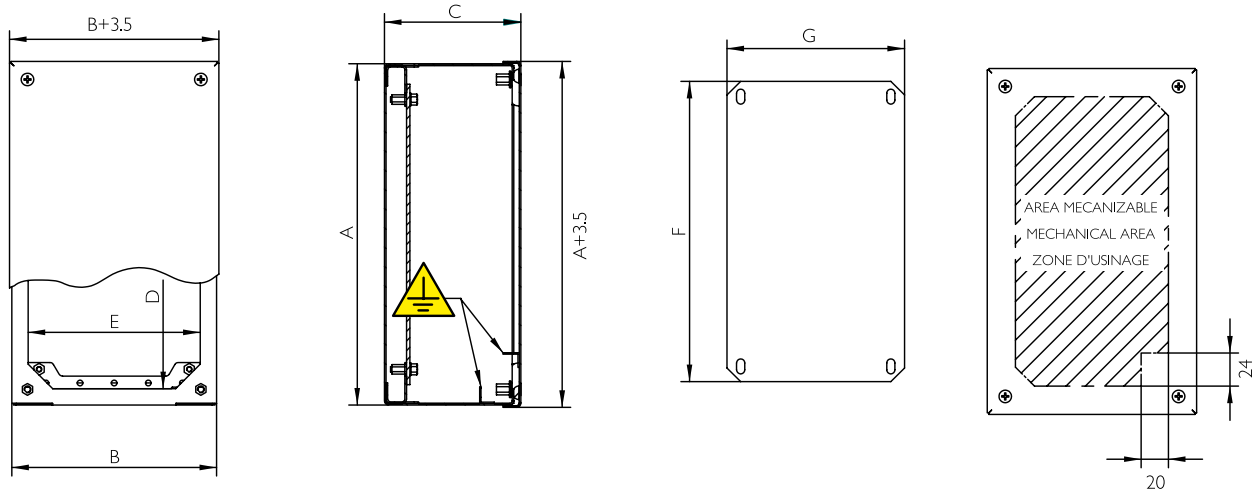
- Custom made based on your needs.
- IP67, IP68 and up to IP69K - DIN 40050-9.
- Manufactured in stainless steel AISI 316L EN 14404.
- Metal legs.
- Unloosable screws.
- Finished in textured paint RAL on request.
- Mounting plate insulator (bakelite) or painted steel.
- EMC version according to 2014/30/UE of electromagnetic compatibility.
- Option painted galvanized steel finish in RAL 7035 or another color.

ADVANTAGES

- Strength, durability and long life.
- Special built to measure solutions.
- 100% stainless steel.
- Wide variety of accessories.
- Stainless steel AISI 304L or AISI 316L.
- Unlimited options.
- Supplied with protective film which prevents scratches and abrasions during handling.
- The manufacture of the stainless steel monobloc allows sealing and ensures maximum resistance.
- Water channel to prevent liquids coming into contact with the polyurethane seal and hidden hinges giving perfect sealing.
- Delvalle supplies any measurements required including custom built holes and cut outs both for the door and enclosure.
- Up to IP67 or IP69K.

PLAN

CLICK HERE TO DOWNLOAD THE FILES CAD - PLANS - CERTIFICATES



10 YEARS
STAINLESS ANTICORROSIVE GUARANTEE

5 YEARS
MECHANICAL PARTS GUARANTEE



REFERENCES

| REFERENCES | | COVER | DIMENSIONS (mm) | | | | | | | |
|-----------------------|------------------|----------|---|-------------|-------------|-----------------|-----------------|-----------------------|-------------|--------------------------|
| BLIND COVER | PERFORATED COVER | N° HOLES | HEIGHT - A - | WIDTH - B - | DEPTH - C - | ACCESS - Dx E - | MACHINABLE AREA | PLATE MEASUR. - FxG - | WEIGHT (Kg) | VOLUME (m ³) |
| MVCB909080 | MVCB909080P | 1 | 90 | 90 | 80 | 66x66 | 48x48 | 60x70 | 0,68 | 0,001 |
| MVCB149080 | MVCB149080P | 2 | 140 | 90 | 80 | 116x66 | 98x48 | 110x70 | 0,92 | 0,001 |
| MVCB209080 | MVCB209080P | 3 | 200 | 90 | 80 | 176x66 | 158x48 | 170x70 | 1,2 | 0,002 |
| MVCB269012 | MVCB269012P | 4 | 260 | 90 | 120 | 236x66 | 218x48 | 230x70 | 1,75 | 0,004 |
| MCVB289080 | MCVB289080P | 5 | 280 | 90 | 80 | 256x66 | 238x48 | 250x70 | 1,6 | 0,002 |
| MVCB101612 | MVCB101612P | 3 | 100 | 160 | 120 | 76x136 | 58x118 | 70x140 | 1,29 | 0,003 |
| MVCB161612 | MVCB161612P | 4 | 160 | 160 | 120 | 136x136 | 118x118 | 130x140 | 1,81 | 0,004 |
| MVCB202012 | MVCB202012P | 6 | 200 | 200 | 120 | 176x176 | 158x158 | 170x180 | 2,53 | 0,006 |
| MVCB202515 | MVCB202515P | 12 | 200 | 250 | 150 | 176x226 | 158x208 | 170x230 | 3,25 | 0,009 |
| MVCB252515 | MVCB252515P | 16 | 250 | 250 | 150 | 226x226 | 208x208 | 220x230 | 3,87 | 0,012 |
| MVCB203015 | MVCB203015P | 15 | 200 | 300 | 150 | 176x276 | 158x258 | 170x280 | 3,75 | 0,011 |
| MVCB303015 | MVCB303015P | 25 | 300 | 300 | 150 | 276x276 | 258x258 | 270x280 | 5,16 | 0,016 |
| MVCB304015 | MVCB304015P | 35 | 300 | 400 | 150 | 276x376 | 258x358 | 270x380 | 6,64 | 0,022 |
| MVCB404015 | MVCB404015P | 49 | 400 | 400 | 150 | 376x376 | 358x358 | 370x380 | 8,41 | 0,028 |
| Version: Normative UL | | | Add "UL" a la referencia Ej: "MVCB909080UL" | | | | | | | |
| Version IP67 | | | Add "67" to the reference Ex: "MVAB30201567" | | | | | | | |
| Version IP69K | | | Add "69" to the reference Ex: "MVAB302015/69" | | | | | | | |

DELVALLE OFFERS CUSTOMIZED SOLUTIONS

www.delvallebox.com

comercial@delvalle.es

+34 945 601 381

→ FOR MORE INFORMATION CLICK HERE

ALSO ONLINE

STAINLESS STEEL
INDUSTRIAL ENCLOSURES



OUTDOOR HEAVY DUTY
ELECTRICAL ENCLOSURES



OUTDOOR TELECOM 19
RACKS & CABINETS



GALVANIZED STEEL
ELECTRICAL ENCLOSURES



HYGIENIC DESIGN ENCLOSURES



ALUMINIUM ELECTRICAL
ENCLOSURES



DELVALLE OFFERS CUSTOMIZED SOLUTIONS

www.delvallebox.com
comercial@delvalle.es
+34 945 601 381

→ FOR MORE INFORMATION CLICK HERE

ALSO ONLINE

WATERPROOF SHEET STEEL ELECTRICAL ENCLOSURES



CLIMATE CONTROL COOLING FOR ELECTRICAL ENCLOSURES



NEMA ELECTRICAL ENCLOSURE TYPE 1-3R-4X-12



MODULAR DISTRIBUTION ENCLOSURES



EMC ELECTRICAL ENCLOSURES SOLUTIONS



CABLE GLANDS & ENTRY SEALS FOR CABINETS





Paso del Prao, 6. 01320 Oyón (Álava). Spain

T. +34 945 601 381

comercial@delvalle.es | www.delvallebox.com

Contact us, we will be available at any time

