



Enclosures & Cabinets for Special Requirements
comercial@delvalle.es | www.delvallebox.com

STAINLESS STEEL SEISMIC LUXOR ENCLOSURE SEISCORE SERIES

IP66

10
YEARS

STAINLESS
ANTICORROSIVE
GUARANTEE

5
YEARS

MECHANICAL PARTS
GUARANTEE





WE PUT AT YOUR DISPOSAL

We offer over **45 years** providing solutions to demanding customers who require very specific characteristics and behaviour according to the sector and their needs.

WHEREVER YOU GO

We are committed to working closely with our customers, providing them with **exceptional service** and offering an advanced and extensive range of products with very competitive prices.

HIGH STANDARD OF QUALITY AND SERVICES

We only use materials provided by companies who offer the very **highest quality**, suitable and certified products. Our success is due to top quality assurance: ISO 9001, SGS, UL, TÜV, ISO 14000 and Ohsas 18001.

CUSTOMIZE TOTALLY YOUR ENCLOSURE

Our production systems can give custom-made solutions **on demand**. Every colour from RAL chart is available to be personalized. A variety of protection standards thanks to our own painting facilities.

CONTACT US

Confidentiality, reliability & quality

www.delvallebox.com
comercial@delvalle.es
+34 945 601 381

ALSO ONLINE

Please contact our technical sales department

A team of professionals with high experience and ability to solve all your queries



STAINLESS STEEL SEISMIC BOX GEO

SEISCORE SERIES

IP66

More Resistance Tanks to Structural Reinforcement for Maximum Durability



Examples



Seismic-resistant electrical enclosure made of AISI 304L stainless steel - EN1.4306, finely polished and with IP55 or IP66 rating.

Its construction with structural and special reinforcements in the high-strength covers allows our enclosures to withstand heavy weights both in the structure and in the covers and to house heavy elements inside.

The boxes have been subjected to the most exhaustive tests, withstanding the harshest seismic activity tests, offering the customer significant protection in areas where seismic activity is possible. They can be installed outdoors.

The reinforced box is delivered with external plastic protection to prevent scratching during handling and installation of automatic devices inside the box, which can be easily removed once installed at the customer's premises.

[FOR MORE INFORMATION CLICK HERE](#)

APPLICATIONS

Specially designed for areas where they will be subject to constant vibration or high seismic stress.

STAINLESS STEEL SEISMIC BOX GEO

SEISCORE SERIES

IP66

ADVANTAGES

- Broad assembly area with great accessibility.
- Great strength as a whole.
- Great versatility, so it can be applied to almost any field.
- Delvalle supplies any measurements required including custom built holes and cut outs both for the door and enclosure.
- Distributed load 400 kg.



NORMATIVE

- IP66 (W) Norm IEC EN 62208 EN 60529.
- Maximum IK10 resistance Norm IEC 62208 and EN 50102
- Our electrical panels are built to CE standards 2014/35/UE.
- RoHs compliant.
- UL approval Nema 4x, 12, 3r, 1. N° File E342220.
- Maximum voltage 1000 V.
- Temperature resistant: -40°C +100°C (short time +160°C).
- Option silicone gasket: from -60°C to +180°C (short time up to +350°C).

OPTIONS

- Earthquake-resistant design, seismic testing under standar UNE EN 60068-3-3.
- Up to IP69K -DIN 40050-9.
- Special individual solutions.
- More resistance tanks to structural reinforcement for maximum durability.
- Stainless steel AISI 316L.
- Painted steel.
- Broad assembly area with great accessibility.
- Great strength as a whole.
- Standard with toggle clasp made of stainless steel.

SEISMIC NORMATIVE

- NEBS GR-63-CORE
- United States (ASCE 7)
- European (EN 1998 - Eurocode 8)



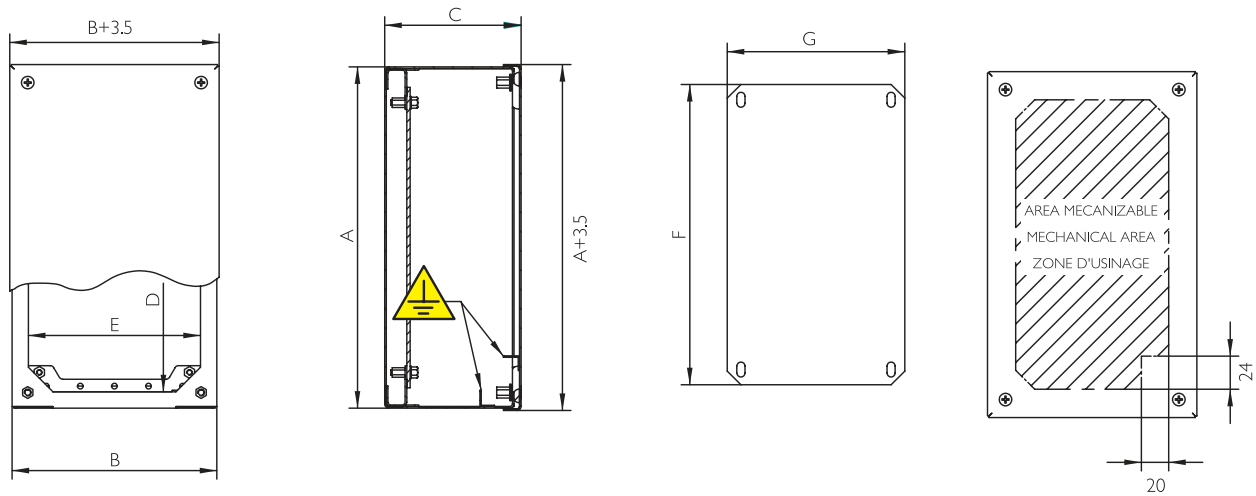
STAINLESS STEEL SEISMIC BOX GEO

SEISCORE SERIES

IP66

PLAN

➔ [CLICK HERE TO DOWNLOAD THE FILES CAD - PLANS - CERTIFICATES](#)



10
YEARS
STAINLESS
ANTICORROSIVE
GUARANTEE



5
YEARS
MECHANICAL PARTS
GUARANTEE

REFERENCES SERIES SEISCORE LUXOR

REFERENCES	DIMENSIONS (mm)				
BLIND COVER	HIGH - A -	WIDTH - B -	DEPTH - C -	ACCESS - Dx E -	PLATE MEASUR. - Fx G -
MVCB909080	90	90	80	66x66	60x70
MVCB149080	140	90	80	116x66	110x70
MVCB209080	200	90	80	176x66	170x70
MVCB269012	260	90	120	236x66	230x70
MVCB289080	280	90	80	256x66	250x70
MVCB101612	100	160	120	76x136	70x140
MVCB161612	160	160	120	136x136	130x140
MVCB202012	200	200	120	176x176	170x180
MVCB202515	200	250	150	176x226	170x230
MVCB252515	250	250	150	226x226	220x230
MVCB203015	200	300	150	176x276	170x280
MVCB303015	300	300	150	276x276	270x280
MVCB304015	300	400	150	276x376	270x380
MVCB404015	400	400	150	376x376	370x380
Version: Normative UL	Add "UL" a la referencia Ej: "MVCB404015UL"				
Version IP69K	Add "/69" to the reference Ex: "MVCB404015/69"				

The dimensions indicated are approximate. Enclosures can be manufactured in any size upon request. They can be constructed with a thickness of up to 4 mm. Bottom plate separation 20 mm.

DELVALLE OFFERS OTHER SOLUTIONS

www.delvallebox.com

comercial@delvalle.es

+34 945 601 381

ALSO ONLINE

→ FOR MORE INFORMATION CLICK HERE

STAINLESS STEEL
INDUSTRIAL ENCLOSURES



OUTDOOR HEAVY DUTY
ELECTRICAL ENCLOSURES



OUTDOOR TELECOM 19
RACKS & CABINETS



GALVANIZED STEEL
ELECTRICAL ENCLOSURES



HYGIENIC DESIGN ENCLOSURES



ALUMINIUM ELECTRICAL
ENCLOSURES



DELVALLE OFFERS OTHER SOLUTIONS

www.delvallebox.com

comercial@delvalle.es

+34 945 601 381

ALSO ONLINE

→ FOR MORE INFORMATION CLICK HERE

WATERPROOF SHEET STEEL ELECTRICAL ENCLOSURES



CLIMATE CONTROL COOLING FOR ELECTRICAL ENCLOSURES



NEMA ELECTRICAL ENCLOSURE TYPE 1-3R-4X-12



MODULAR DISTRIBUTION ENCLOSURES



EMC ELECTRICAL ENCLOSURES SOLUTIONS

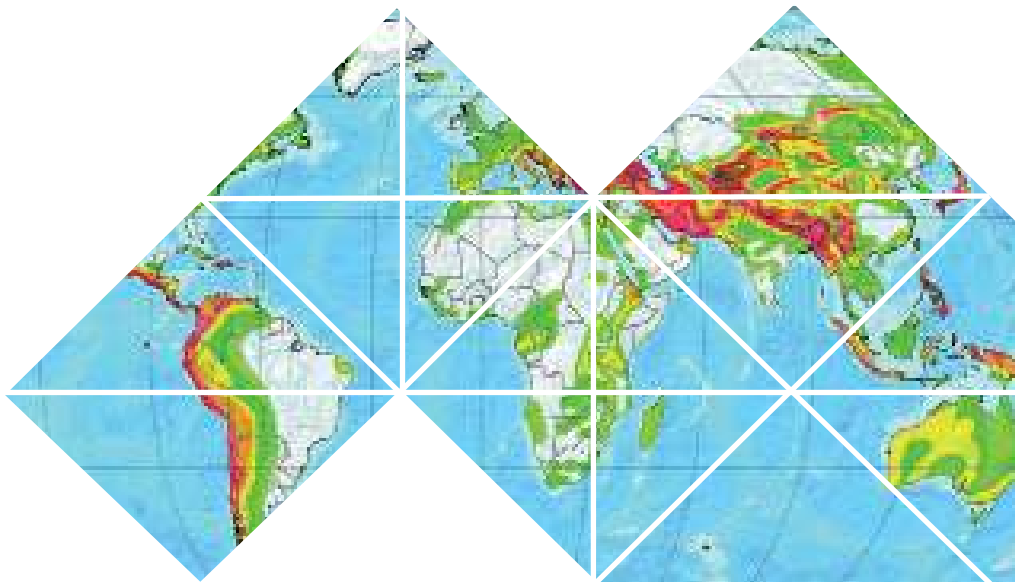


CABLE GLANDS & ENTRY SEALS FOR CABINETS





Enclosures & Cabinets for Special Requirements



Paso del Prao, 6.01320 Oyón (Álava). Spain
P. +34 945 601 381
www.delvallebox.com - comercial@delvalle.es
Contact us, we will be available at any time

