



Enclosures & Cabinets for Special Requirements  
comercial@delvalle.es | www.delvallebox.com

## STAINLESS STEEL FIRE EXTINGUISHER ENCLOSURE IP66



STAINLESS  
ANTICORROSIVE  
GUARANTEE



MECHANICAL PARTS  
GUARANTEE





## WE PUT AT YOUR DISPOSAL

We offer over **45 years** providing solutions to demanding customers who require very specific characteristics and behaviour according to the sector and their needs.

## WHEREVER YOU GO

We are committed to working closely with our customers, providing them with **exceptional service** and offering an advanced and extensive range of products with very competitive prices.

## HIGH STANDARD OF QUALITY AND SERVICES

We only use materials provided by companies who offer the very **highest quality**, suitable and certified products. Our success is due to top quality assurance: ISO 9001, SGS, UL, TÜV, ISO 14000 and Ohsas 18001.

## CUSTOMIZE TOTALLY YOUR ENCLOSURE

Our production systems can give custom-made solutions **on demand**. Every colour from RAL chart is available to be personalized. A variety of protection standards thanks to our own painting facilities.

### CONTACT US

Confidentiality, reliability & quality

[www.delvallebox.com](http://www.delvallebox.com)  
[comercial@delvalle.es](mailto:comercial@delvalle.es)  
 +34 945 601 381

ALSO ONLINE

### Please contact our technical sales department

A team of professionals with high experience and ability to solve all your queries



# STAINLESS STEEL FIRE EXTINGUISHER ENCLOSURE IP66



Examples

**The Main Goal of the Fire Extinguisher Enclosure, is to Provide a Quick and Safe Access to the Extinguishing Equipment**

The stainless steel fire extinguisher enclosure IP66(W) is a security equipment to provide a fire extinguisher aimed to users, when they need it in an emergency. Directed to companies such as in food processing, food industry, tunnels,...

It's a perfect equipment when the fire extinguisher needs to be sealed from the outside to avoid dust and contamination. The main goal of the fire extinguisher enclosure, is to provide a quick and safe access to the extinguishing equipment, before such emergency, with a sloping roof design that avoids the placement on top of materials and bacteria.

The quick access is made with two T closures.

➔ [FOR MORE INFORMATION CLICK HERE](#)



## APPLICATIONS

- Food processing industry
- Tunnel
- White rooms
- Oil & Gas industry
- Petrochemistry
- Industry
- Food industry

## FEATURES

- Opening of the door at 120 °. Standard opening to the left.
- Transparent polycarbonate door, self-extinguishing according to the fire.
- The fire extinguisher enclosure is a security equipment which has a bracket to support the fire extinguisher. This bracket is secured to the plate to allow a quick use of the extinguishing equipment.
- The fire extinguisher enclosure is installed in enabled tunnel's areas to host the security equipment.
- The sloping roof made design avoids the placement objects on the top of the box. It's has a polished surface finish in vertical direction. The design also avoids the proliferation problems caused from bacteria and virus in the box's surface.
- Hygienic store and water protection.
- It's possible to visualize the security equipment because of the transparent glass screen.
- Fast door access, caused by the two T closures, which allow an easy and simple operation.
- IP66(W) protection.
- It's advisable the use of wall supports.



## OPTIONS

- Custom made based on your needs.
- Manufactured in stainless steel AISI 316L EN 14404.
- Transparent glass door.
- It's possible to be wider for two fire extinguishers.
- Up to IP69K -DIN 40050-9.



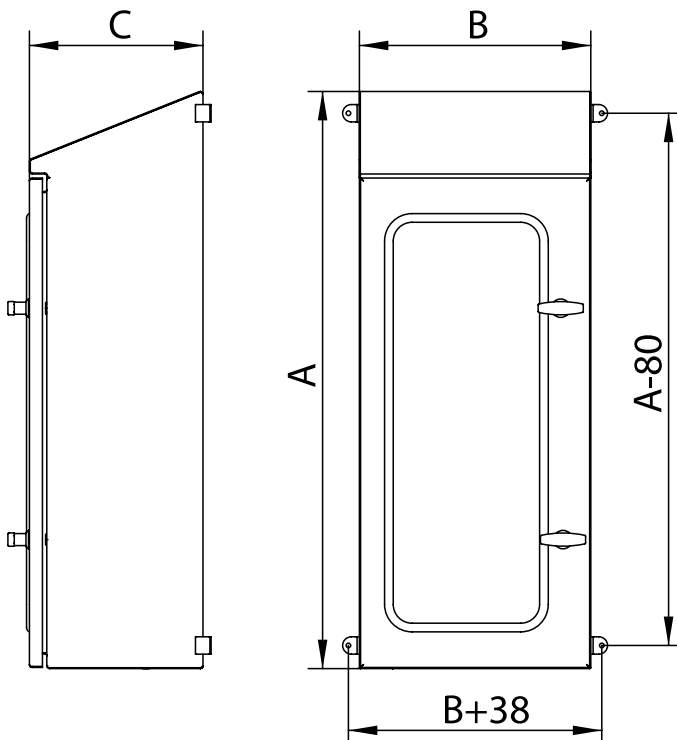
# STAINLESS STEEL FIRE EXTINGUISHER ENCLOSURE IP66

## NORMATIVE

- IP66(W) by IEC 60529 rule.
- DIN EN ISO 14 159 Hygienic security to set up the machine function.
- Food industry machine directive (2006/42/CE).
- EHEDG Guideline Hygienic Design apart. 13 of devices for open processes.
- DIN EN 1672-2:2006 Machinery requirements for the food industry.
- Impact resistance IK10, IEC62262.
- Obey with RoHs regulations.
- Food industry rules, materials which are in contact with food (CE 1935/2004).
- Obey with low tension directive 2014/35/UE.
- UL Nema 4x, 12, 3r and I certificate upon request. N° File E342220.
- Maximum voltage 1000V.
- Temperature resistance: From -40 °C to +100 °C (reduced exposure +160 °C).
- Silicone gasket is optional: From -60 °C to +180 °C (reduced exposure +350 °C).

## PLAN AND REFERENCES

➔ [CLICK HERE TO DOWNLOAD THE FILES CAD - PLANS - CERTIFICATES](#)



**5**  
YEARS  
MECHANICAL PARTS  
GUARANTEE

**10**  
YEARS  
STAINLESS  
ANTICORROSIVE  
GUARANTEE

REFERENCE	DIMENSIONS (mm)		
STAINLESS STEEL FIRE EXTINGUISHER ENCLOSURE	HEIGHT -A-	WIDTH -B-	DEPTH -C-
MVAJXT104030	1000	400	300



**Consult us  
without obligation**

*Confidentiality, reliability & quality*

## DELVALLE OFFERS CUSTOMIZED SOLUTIONS

[www.delvallebox.com](http://www.delvallebox.com)

[comercial@delvalle.es](mailto:comercial@delvalle.es)

+34 945 601 381

ALSO ONLINE

→ FOR MORE INFORMATION CLICK HERE

STAINLESS STEEL  
INDUSTRIAL ENCLOSURES



OUTDOOR HEAVY DUTY  
ELECTRICAL ENCLOSURES



OUTDOOR TELECOM 19  
RACKS & CABINETS



GALVANIZED STEEL  
ELECTRICAL ENCLOSURES



HYGIENIC DESIGN ENCLOSURES



ALUMINIUM ELECTRICAL  
ENCLOSURES



## DELVALLE OFFERS CUSTOMIZED SOLUTIONS

➔ [FOR MORE INFORMATION CLICK HERE](#)

[www.delvallebox.com](http://www.delvallebox.com)

[comercial@delvalle.es](mailto:comercial@delvalle.es)

+34 945 601 381

ALSO ONLINE

WATERPROOF SHEET STEEL  
ELECTRICAL ENCLOSURES



CLIMATE CONTROL COOLING  
FOR ELECTRICAL ENCLOSURES



NEMA ELECTRICAL  
ENCLOSURES TYPE 1-3R-4X-12



MODULAR DISTRIBUTION  
ENCLOSURES



EMC ELECTRICAL  
ENCLOSURES SOLUTIONS



CABLE GLANDS & ENTRY  
SEALS FOR CABINETS





Enclosures & Cabinets for Special Requirements



Paso del Prao, 6. 01320 Oyón (Álava). Spain  
P. +34 945 601 381  
[www.delvallebox.com](http://www.delvallebox.com) - [comercial@delvalle.es](mailto:comercial@delvalle.es)  
**Contact us, we will be available at any time**

