



Enclosures & Cabinets for Special Requirements
comercial@delvalle.es | www.delvallebox.com

STAINLESS STEEL WALL MOUNTED ENCLOSURES

LUXOR SERIES IP66



STAINLESS
ANTICORROSIVE
GUARANTEE



MECHANICAL PARTS
GUARANTEE





WE PUT AT YOUR DISPOSAL

We offer over **45 years** providing solutions to demanding customers who require very specific characteristics and behaviour according to the sector and their needs.

WHEREVER YOU GO

We are committed to working closely with our customers, providing them with **exceptional service** and offering an advanced and extensive range of products with very competitive prices.

HIGH STANDARD OF QUALITY AND SERVICES

We only use materials provided by companies who offer the very **highest quality**, suitable and certified products. Our success is due to top quality assurance: ISO 9001, SGS, UL, TÜV, ISO 14000 and Ohsas 18001.

CUSTOMIZE TOTALLY YOUR ENCLOSURE

Our production systems can give custom-made solutions **on demand**. Every colour from RAL chart is available to be personalized. A variety of protection standards thanks to our own painting facilities.

CONTACT US

Confidentiality, reliability & quality

www.delvallebox.com
comercial@delvalle.es
+34 945 601 381

ALSO ONLINE

Please contact our technical sales department

A team of professionals with high experience and ability to solve all your queries



STAINLESS STEEL WALL MOUNTED ENCLOSURES

LUXOR SERIES IP66



Example

Maximum Working Width for your Assemblies

Electrical enclosures Luxor Series with improved design and materials used of locks, easy to open, smoothly turning and opening, flexibility, maximum opening of the doors (up to 120 °), maximum working width for your assemblies, easily removable, unique performance with cutting-edge polished surface finish.

All tests necessary to ensure safety in their electrical installations. Furthermore, each component has exceeded several tests under extreme conditions guaranteeing a long life in electrical assembly.



[FOR MORE INFORMATION CLICK HERE](#)





Available opening with 3-locking point handle



APPLICATIONS

- Specially designed for automatic meter positioning, machine controls, and offering, where necessary, a smart look, high quality and durability.
- Electrical control panel approved for food, chemical and pharmaceutical industries, processing plants, telecommunication centers and outdoor use because of its high durability and chemical product resistance.

ADVANTAGES

- Supplied protective film wrapped to prevent scratches and abrasions during handling.
- The manufacture of the stainless steel monobloc gives 100% sealing and maximum resistance.
- With flushing channel that avoids any contact with liquids, polyurethane joints and hidden hinges.
- The standard control panel comes with stainless steel double-bit locking handles.
- Delvalle supplies any measurements required including custom built holes and cut outs both for the door and enclosure.
- Up to IP67 or IP69K.

OPTIONS

- Custom made based on your needs.
- IP67 according IEC EN 62208 and EN 60529.
- Up to IP69K -DIN 40050-9.
- Option painted galvanized steel finish in RAL 7035 or another color.
- Possibility of two doors (from 800x600).
- 170° hinge that allows maximum opening for easy access to the cabinet without removing the door.
- Plinths at base.
- Metal legs.
- Wall support (not included in the standard model).
- Transparent polycarbonate door or transparent safety glass door (no IP69K).
- Manufactured in stainless steel AISI 316L EN 14404.
- Mounting plate insulation (bakelite) or stainless steel.
- EMC version according to 2014/30/UE of electromagnetic compatibility.
- Available opening with 3-locking point handle.

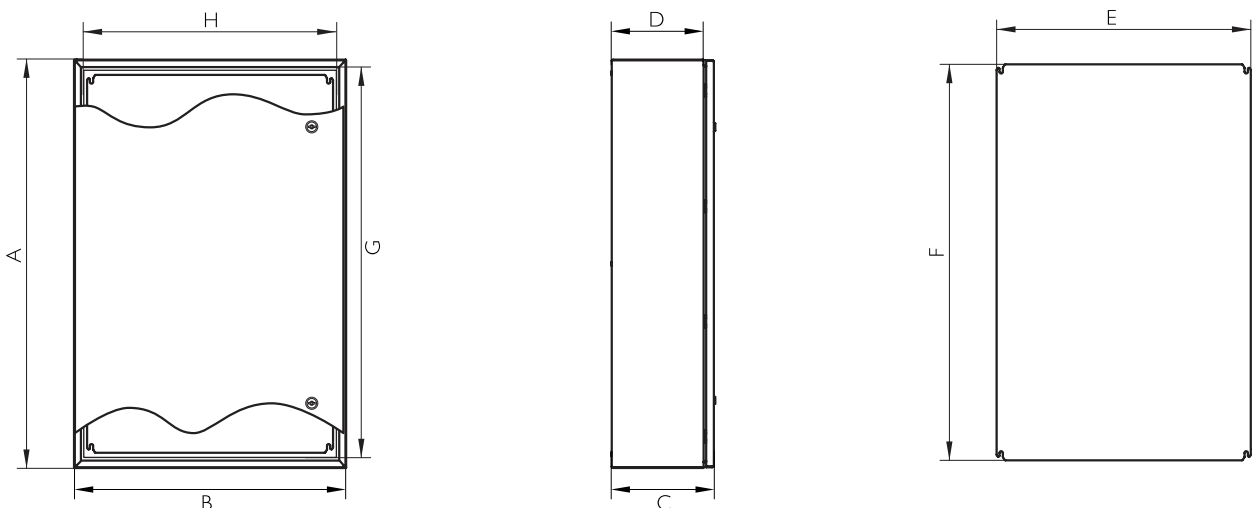


NORMS

- IP66 (W) (IP55 double door without mounting, IP66 with central welded bar mounting) Norm IEC EN 62208 and EN 60529.
- DIN EN ISO 14159 Machine safety – hygiene requirements pertaining to the design of machinery.
- Machinery Directive 2006/42/EC. Food machinery and cosmetic or pharmaceutical production.
- EHEDG Guideline Hygienic Design doc.13 machinery for open processes.
- DIN EN 1672-2-2005 for food industry machinery.
- Maximum IK10 resistance Norm IEC 62208 and IEC 62262.
- Maximum voltage 1000V.
- Manufactured following EU low voltage ruling 2014/35/UE.
- Materials intended to come into contact with food EC 1935/2004.
- RoHs compliant.
- UL approval Nema 4x, I2, 3r yI (by request). N° File E342220.

PLAN

[CLICK HERE TO DOWNLOAD THE FILES CAD - PLANS - CERTIFICATES](#)



REFERENCES 1 DOOR

REFERENCES			DIMENSIONS (mm)									
BLIND DOOR	POLYCARBONATE DOOR (no IP69K)	POLYCARBONATE DOOR + INSIDE DOOR (no IP69K)	HEIGHT -A-	WIDTH -B-	DEPTH -C-	ACCESS -GxH-	INSIDE DEPTH -D-	MACHINABLE AREA		PLATE MEASUREMENT -ExF-	WEIGHT (Kg)	VOLUME (m³)
								DOOR	SIDE			
MVAB302015	MVAB302015T	MVAB302015TC	300	200	155	260x153	125	220x76	270x125	264x147	4,65	0,01
MVAB383015	MVAB383015T	MVAB383015TC	380	300	155	340x253	125	300x176	350x125	344x247	7,68	0,02
MVAB383021	MVAB383021T	MVAB383021TC	380	300	210	340x253	180	300x176	350x180	344x247	8,57	0,03
MVAB404021	MVAB404021T	MVAB404021TC	400	400	210	360x353	180	320x276	370x180	364x347	11,12	0,04
MVAB504021	MVAB504021T	MVAB504021TC	500	400	210	460x353	180	420x276	470x180	464x347	13,51	0,05
MVAB505021	MVAB505021T	MVAB505021TC	500	500	210	460x453	180	420x376	470x180	464x447	16,2	0,06
MVAB705021	MVAB705021T	MVAB705021TC	700	500	210	660x453	180	620x376	670x180	664x447	21,55	0,08
MVAB604021	MVAB604021T	MVAB604021TC	600	400	210	560x353	180	520x276	570x180	564x347	15,74	0,06
MVAB605021	MVAB605021T	MVAB605021TC	600	500	210	560x453	180	520x376	570x180	564x447	18,88	0,07
MVAB606021	MVAB606021T	MVAB606021TC	600	600	210	560x553	180	520x476	570x180	564x547	22	0,08
MVAB806030	MVAB806030T	MVAB806030TC	800	600	300	760x553	270	720x476	770x270	764x547	31,35	0,16
MVAB808030	MVAB808030T	MVAB808030TC	800	800	300	760x753	270	720x676	770x270	764x747	41,5	0,21
MVAB108030	MVAB108030T	MVAB108030TC	1000	800	300	960x753	270	920x676	970x270	964x747	50,69	0,26
MVAB128030	MVAB128030T	MVAB128030TC	1200	800	300	1160x753	270	1120x676	1170x270	1164x747	59,47	0,31
MVAB101030	MVAB101030T	MVAB101030TC	1000	1000	300	960x953	270	920x876	970x270	964x947	61,17	0,32
*MVAC121030	MVAC121030T	MVAC121030TC	1200	1000	300	1090x890	275	1000x790	1170x265	1070x870	78,82	0,46
*MVAC101230	MVAC101230T	MVAC101230TC	1000	1200	300	890x1090	275	800x990	970x265	870x1070	78,76	0,39
*MVAC121230	MVAC121230T	MVAC121230TC	1200	1200	300	1000x1000	275	1000x990	1170x265	1070x1070	92,09	0,39
Version UL approval Nema 4x, 12, 3r and I			Add "UL" to the reference Ex: "MVAB302015UL"									
Version IP67			Add "67" to the reference Ex: "MVAB30201567"									
Version IP69K			Add "/69" to the reference Ex: "MVAB302015/69"									

*Tribeca design

Separation depth plate 20 mm



REFERENCES 2 DOORS

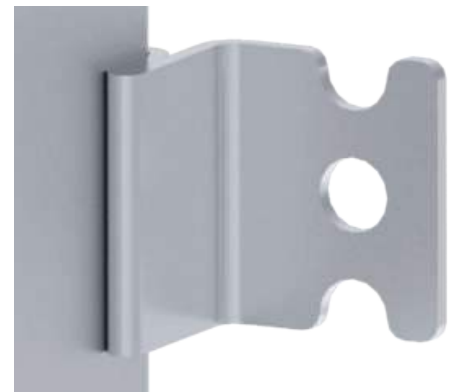
REFERENCES		DIMENSIONS (mm)						
2 BLINDS DOORS	HEIGHT -A-	WIDTH -B-	DEPTH -C-	ACCESS -GxH-	INSIDE DEPTH -D-	MACHINABLE AREA		PLATE MEASUREMENT -GxH-
						DOOR	SIDE	
MVAB806030D	800	600	300	746x546	270	720x217.5 and 720x173.5	720x240	740x540
MVAB808030D	800	800	300	746x746		720x317.5 and 720x273.5	720x240	740x740
MVAB108030D	1000	800	300	946x746		920x317.5 and 920x273.5	970x240	940x745
MVAB128030D	1200	800	300	1146x746		1120x317.5 and 1120x273.5	1170x240	1140x745
MVAB101030D	1000	1000	300	946x946		920x417.5 and 920x373.5	970x240	940x940
MVAB121030D	1200	1000	300	1146x946		1120x617.5 and 1120x573.5	1170x240	1140x945
MVAB121230D	1200	1200	300	1146x1146		1120x717.5 and 1120x673.5	1170x240	1140x1140
Option: Polycarbonate door (no IP69K)		Add "T" to the reference. Ex: "MVAB806030DT"						
Option: Polycarbonate door + Inside door (no IP69K)		Add "TC" to the reference. Ex: "MVAB806030DTC"						
Version UL approval Nema 4x, 12, 3r and I		Add "UL" to the reference. Ex: "MVAB806030DUL"						
Version IP67		Add "67" to the reference Ex: "MVAB30201567"						
Version IP69K		Add "/69" to the reference Ex: "MVAB302015/69"						

Separation depth plate 20 mm

WALL MOUNTING BRACKETS

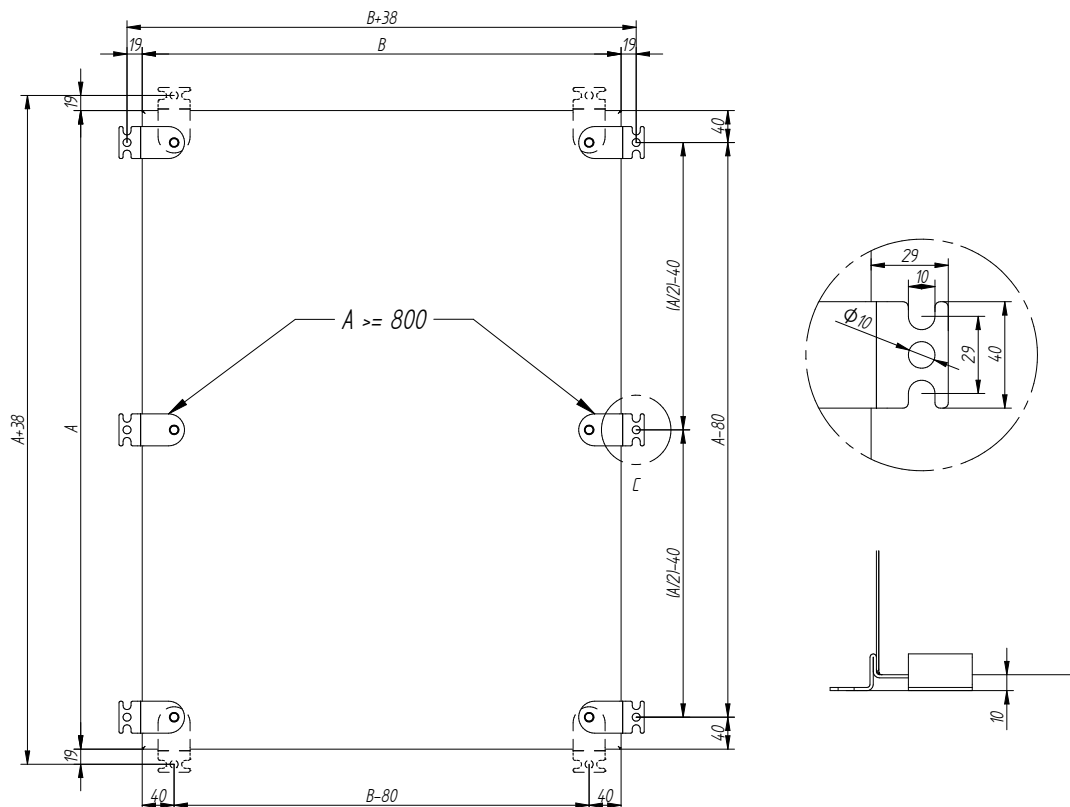
Wall brackets are connections that are attached to the enclosures to achieve either a vertical or horizontal position.

The form of the joint can vary according to the project requirements. The size and material of the bracket will depend on the characteristics of the enclosure being designed.



BRACKETS REFERENCE		
REFERENCE	MATERIAL	CONNECTION
MVSM01	INOX 304L	Bolt / Insert
MVSM04	GALVA	Bolt / Insert
MVSM09	INOX 316L	Bolt / Insert
MVSM06	INOX 304L	Welded
MVSM07	GALVA	Welded
MVSM10	INOX 316L	Welded
MVSM03	INOX 304L	Welded (Pole)

BRACKETS IN LUXOR		
A	4 BRACKETS	6 BRACKETS
<800	X	
=800		X
>800		X



POLE MOUNT

Sometimes the placement of the cabinet is unusual and we need to adapt it to the environment or certain architectural features. Delvalle, therefore, offers the solution for post mounting, providing a perfect fixing of the enclosure.

REF: MVSM03

STAINLESS STEELWALL CABINET - LUXOR SERIES IP67

Electrical boxes IP67 made of stainless steel AISI 304L, combine ideal characteristics for electrical and electronic applications where safety and perfect sealing against dust and water are essential.

The most appreciated feature is the easy door opening, allowing the performance inside the frame without removal or loss of door.

APPLICATIONS

This combination of tightness and resistance features makes it ideal for inner housing of electronic and electrical equipment in adverse weather environments.

OPTIONS

- Custom made based on your needs.
- We recommend our stainless steel cable glands IP68 for the passage of cables.
- Textured paint finish with other Ral colors, on request.
- Manufactured in stainless steel AISI 316L EN 14404.
- Mounting plate insulation (bakelite) or stainless steel.
- EMC version according to EEC 89/336 of electromagnetic compatibility.

REFERENCES

All Luxor IP66 can be supplied in IP67. Just add "/ 67" to your reference. Ex. MVAB302015/67



NORMS

- IP67 According To IEC 60529. 15cm Submersible during a short time.
- Maximum IK10 resistance Norm IEC 62262
- Manufactured following EU low voltage ruling 2006/95/CE
- RoHs compliant
- Rust resistant C5M, following ISO 12944, (AISI 316)
- Maximum voltage 1000V
- Temperature resistant: -40°C +100°C (short time +160°C)
- Option silicone gasket: from -60°C to +180°C (short time up to +350°C)



**Consult us
without obligation**

Confidentiality, reliability & quality

DELVALLE OFFERS CUSTOMIZED SOLUTIONS

www.delvallebox.com

comercial@delvalle.es

+34 945 601 381

ALSO ONLINE

→ FOR MORE INFORMATION CLICK HERE

STAINLESS STEEL INDUSTRIAL ENCLOSURES



OUTDOOR HEAVY DUTY ELECTRICAL ENCLOSURES

OUTDOOR TELECOM 19 RACKS & CABINETS



GALVANIZED STEEL ELECTRICAL ENCLOSURES

HYGIENIC DESIGN ENCLOSURES



ALUMINIUM ELECTRICAL ENCLOSURES



Phone +34 945 601 381
comercial@delvalle.es | www.delvallebox.com



**Consult us
without obligation**

Confidentiality, reliability & quality

DELVALLE OFFERS CUSTOMIZED SOLUTIONS

www.delvallebox.com

comercial@delvalle.es

+34 945 601 381

ALSO ONLINE

→ FOR MORE INFORMATION CLICK HERE

WATERPROOF SHEET STEEL
ELECTRICAL ENCLOSURES



CLIMATE CONTROL COOLING
FOR ELECTRICAL ENCLOSURES

NEMA ELECTRICAL
ENCLOSURE TYPE 1-3R-4X-12



MODULAR DISTRIBUTION
ENCLOSURES

EMC ELECTRICAL
ENCLOSURES SOLUTIONS



CABLE GLANDS & ENTRY
SEALS FOR CABINETS



Phone +34 945 601 381
comercial@delvalle.es | www.delvallebox.com



Enclosures & Cabinets for Special Requirements



Paso del Prao, 6. 01320 Oyón (Álava). Spain
P. +34 945 601 381
www.delvallebox.com - comercial@delvalle.es
Contact us, we will be available at any time

