



INDUSTRIAL ENCLOSURE SOLUTIONS

comercial@delvalle.es | www.delvallebox.com

TEMPERATURE AND HUMIDITY SMART SENSOR





WE PUT AT YOUR DISPOSAL

We offer over **50 years** providing solutions to demanding customers who require very specific characteristics and behaviour according to the sector and their needs.

WHEREVER YOU GO

We are committed to working closely with our customers, providing them with **exceptional service** and offering an advanced and extensive range of products with very competitive prices.

HIGH STANDARD OF QUALITY AND SERVICES

We only use materials provided by companies who offer the very **highest quality**, suitable and certified products. Our success is due to top quality assurance: ISO 9001, SGS, UL, TÜV, ISO 14000 and Ohsas 18001.

CUSTOMIZE TOTALLY YOUR ENCLOSURE

Our production systems can give custom-made solutions **on demand**. Every colour from RAL chart is available to be personalized. A variety of protection standards thanks to our own painting facilities.



100%
*Entirely designed
and manufactured
in Europe*

CONTACT US

Confidentiality, reliability & quality

www.delvallebox.com
comercial@delvalle.es
+34 945 601 381

ALSO ONLINE

Please contact our technical sales department

A team of professionals with high experience and ability to solve all your queries



TEMPERATURE AND HUMIDITY SMART SENSOR



Example

Is Suitable for Installation Inside and Outside the Enclosure

The temperature and humidity compact smart sensor Delvalle electronically records temperature and humidity and converts the measured data into a standardized analog 4-20 mA or a digital IO-Link signal. The converted value signals can be utilized or further processed by a control or monitoring unit. The smart sensor is suitable for installation inside and outside the enclosure, even in harsh environmental conditions as can be found in the wind power industry: in shielded outdoor areas and exposed to vibrations.



[FOR MORE INFORMATION CLICK HERE](#)

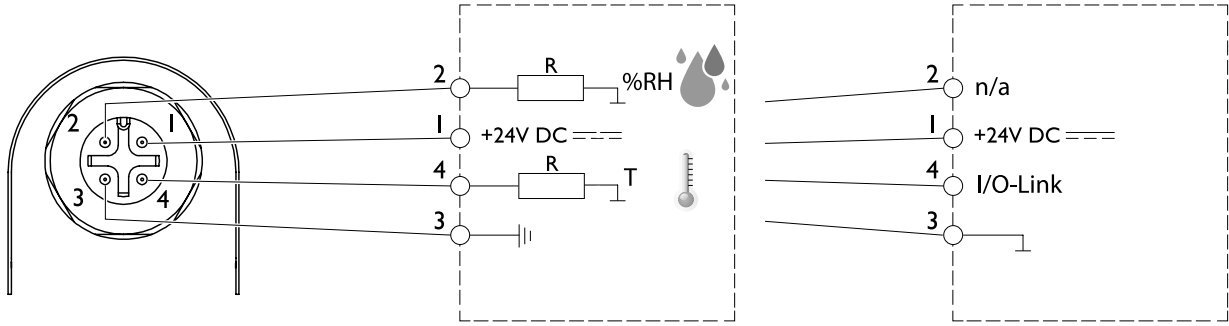
FEATURES

- Measuring signals analog (4-20 mA)/digital (IO-Link): temperature, humidity events, diagnosis, device data.
- Max. reaction time: 3 min.
- Load resistance (external): ≤ 500 (4-20mA only).
- Connection: M12 round plug connector; IEC 61076-2-101, 4-pin, A-coded, shielded.
- Electrical protection: reverse-polarity, short circuit, overvoltage protection.
- Mounting: clip for 35 mm DIN rail, EN 60715 and screw fixing M5.
- Casing: plastic according to UL94V-0, light grey.
- Dimensions: 140x40x38mm.
- Weight: approx. 50g.
- Fitting position: vertical (connection on top).
- Storage temperature: -40 to +85°C.
- Operating / Storage humidity: max. 90% RH (non-condensing).
- Protection type / Protection class: IP20 sensor only IP57) / III (SELV).
- Protection class IP20 (sensor only IP57) / III (SELV).
- Approvals: VDE and UL File N° E500143 (acc. to IEC 61010-1 / DIN EN 61010-1).



TEMPERATURE AND HUMIDITY SMART SENSOR

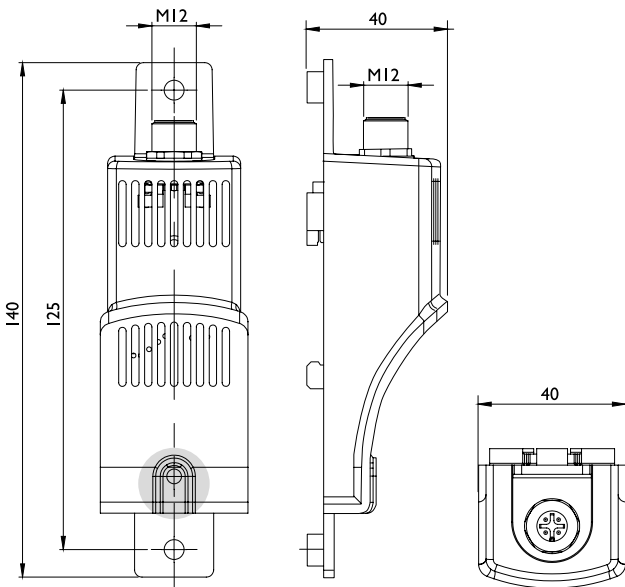
PIN ASSIGNMENT



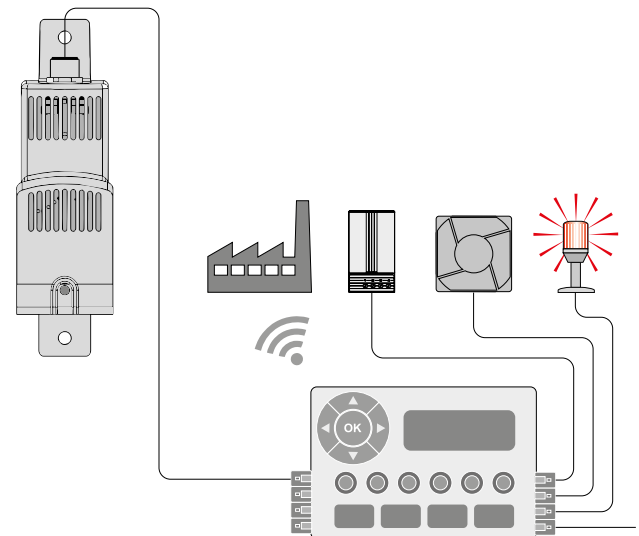
Pin assignment for 4-pin M12 round plug connector

analog 4 - 20 mA

PLAN



EXAMPLE OF CONNECTION



REFERENCES

COMPACT SMART SENSOR						
REFERENCES	INTERFACE	OPERATING VOLTAGE	POWER CONSUMPTION MAX.	TEMPERATURE MEASURING RANGE	HUMIDITY MEASURING RANGE	OPERATING TEMPERATURE
DV014E.01	4 - 20 mA (analog)	DC 24V (DC 12-30V)	1,8 W (typically 0,4 W)	-40 to +60°C ± 1 K	0 to 100% RH ± 4%*	-40 to +70°C
DV014E.02	IO-Link (digital, specified acc. to version 1.1)	DC 24V (DC 18-30V)	0,3 W	-40 to +80°C ± 0,3 K	0 to 100% RH ± 3%*	-40 to +80°C

*Tolerance within 20 to 80 % RH (please request diagram for tolerances outside this range).



OTHER ELEMENTS OF VENTILATION AND CLIMATE CONTROL

DELVALLE, EXPERTS IN VENTILATION AND CLIMATE CONTROL

One solution for every need. Our engineers equipment will find the best climate control installation and get a better performance and greater energy and cost savings



AIR
CONDITIONERS



THERMOELECTRIC
COOLERS

TEMPERATURE CONTROL



FILTER FANS



RESISTANCE HEATERS

CUSTOMIZED ENCLOSURE SOLUTIONS DELVALLE

Delvalle has more than 50 years of experience using the latest technology to implement and obtain the most innovative products on offer to all our customers. Delvalle is an ideal partner, combining an advanced and wide range of products at very competitive prices.

The customized manufacture of all electrical enclosures and cabinets Delvallebox is carry out with the most advanced technical methods and with the precision and consciousness of a craftsman. This makes the difference from competitors and is the best way to gain our customers' trust.

In Delvallebox we bear in mind that customers perceive the quality very clearly. In every product (for instance, in the cabinets here presented) safety and useful solutions are what customers value most.



STAINLESS STEEL
INDUSTRIAL ENCLOSURES



OUTDOOR ELECTRICAL
ENCLOSURES



GLOBAL ELECTRICAL
SOLUTIONS FOR URBAN AREAS



GALVANIZED STEEL
ELECTRICAL ENCLOSURES

ATEX INDUSTRIAL ENCLOSURES

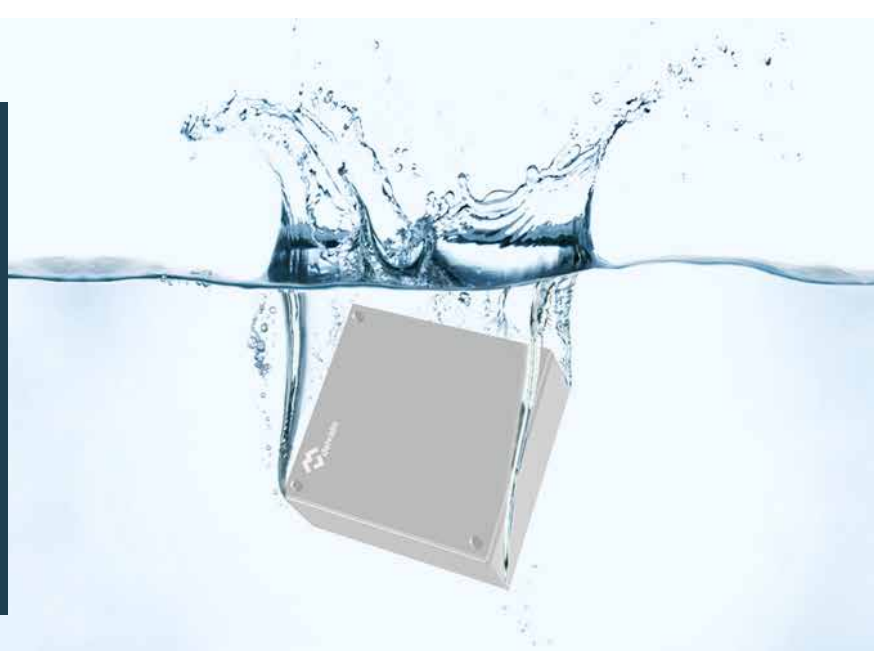


SLOPED ROOF
ENCLOSURES - HYGIENIC



INDUSTRIAL ENCLOSURES IP66, IP67, IP68 AND IP69K

Buy direct from manufacturer of custom made IP66, IP67, IP68 and IP69K heavy duty industrial and waterproof electrical enclosures AISI 304L and 316L made by standard IEC 60529. Delvalle has tested all sizes and dimensions of waterproof enclosures according to EN 60529:2018. All weather resistant enclosures are more than simply rainproof, they meet a minimum of Nema 4X and IP66, IP67, IP68 and IP69k requirements to ensure your electronics are protected. From Junction boxes to industrial enclosures, Delvalle weatherproof enclosures offer a wide range of sizes and styles to keep your project waterproof.



CLIMATE CONTROL COOLING FOR ENCLOSURES



CABLE GLANDS FOR
ELECTRICAL ENCLOSURES





Paso del Prao, 6. 01320 Oyón (Álava). Spain
Phone +34 945 601 381
comercial@delvalle.es | www.delvallebox.com
Contact us, we will be available at any time

