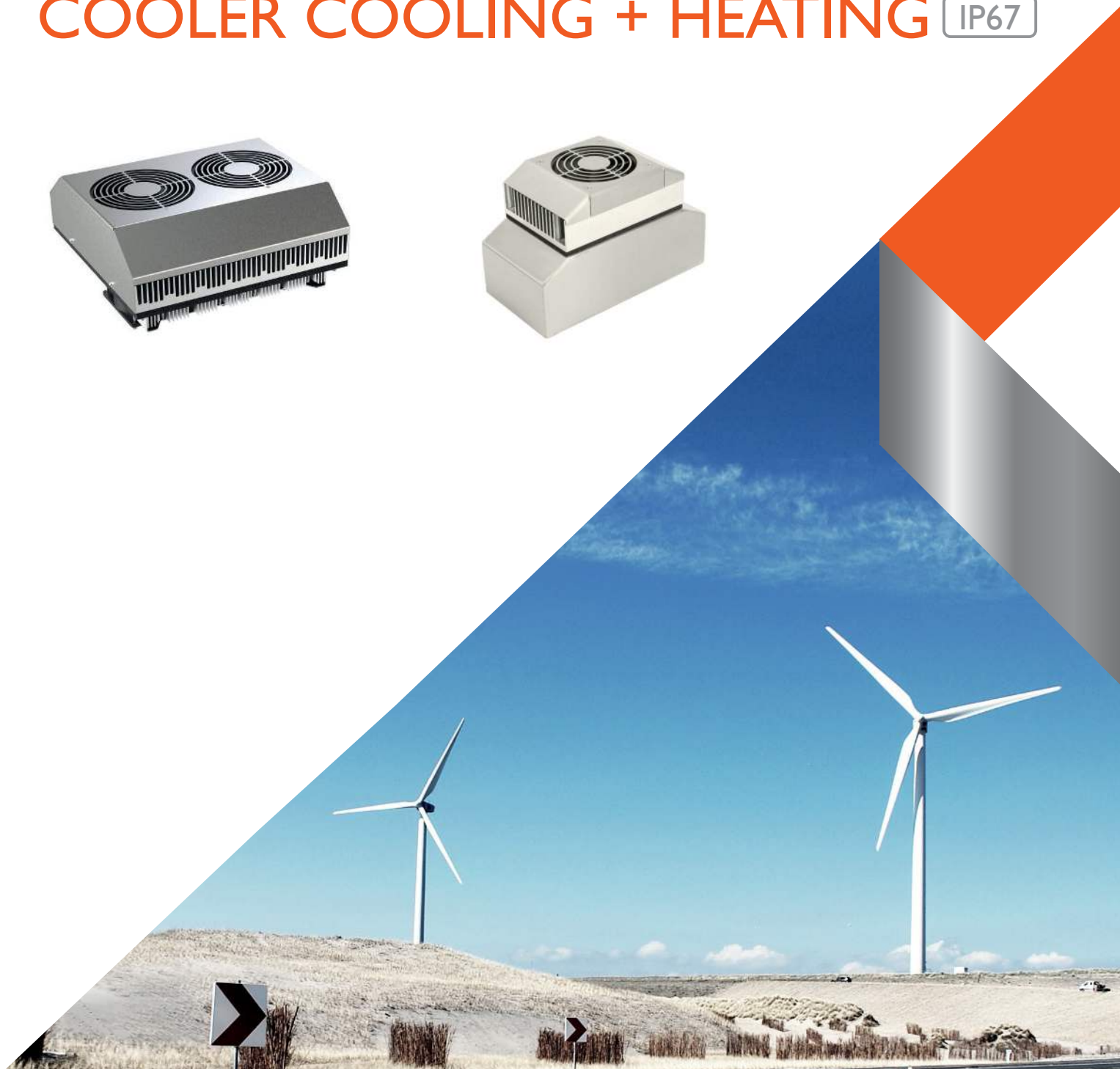




INDUSTRIAL ENCLOSURE SOLUTIONS

comercial@delvalle.es | www.delvallebox.com

# STAINLESS STEEL THERMOELECTRIC COOLER COOLING + HEATING IP67





## WE PUT AT YOUR DISPOSAL

We offer over **50 years** providing solutions to demanding customers who require very specific characteristics and behaviour according to the sector and their needs.

## WHEREVER YOU GO

We are committed to working closely with our customers, providing them with **exceptional service** and offering an advanced and extensive range of products with very competitive prices.

## HIGH STANDARD OF QUALITY AND SERVICES

We only use materials provided by companies who offer the very **highest quality**, suitable and certified products. Our success is due to top quality assurance: ISO 9001, SGS, UL, TÜV, ISO 14000 and Ohsas 18001.

## CUSTOMIZE TOTALLY YOUR ENCLOSURE

Our production systems can give custom-made solutions **on demand**. Every colour from RAL chart is available to be personalized. A variety of protection standards thanks to our own painting facilities.



**100%**  
Diseñado y fabricado íntegramente en España  
*Entirely designed and manufactures in Spain*

## CONTACT US

Confidentiality, reliability & quality

www.delvallebox.com  
comercial@delvalle.es  
+34 945 601 381

ALSO ONLINE



## Please contact our technical sales department

A team of professionals with high experience and ability to solve all your queries



# STAINLESS STEEL THERMOELECTRIC COOLER COOLING + HEATING IP67



Examples

**Easy Installation with Screws**

The Delvalle stainless steel thermoelectric cooler cooling + heating can be supplied in various types, from 30W to 300W, with a protection up to IP67 between the inside and outside of the panel once inserted. Also, depending on the model chosen, ranging from 2.3 A up to 15A. By design the thermoelectric cooling is free of any liquid, so there is no risk of leakage. And thanks to the "Peltier" latest technology developed over the Peltier effect, allows the installation and operation of the device at any position. Another key feature is the no air exchange between the inside and outside so the dirt doesn't accumulate on the inside.



[→ FOR MORE INFORMATION CLICK HERE](#)



## APPLICATIONS

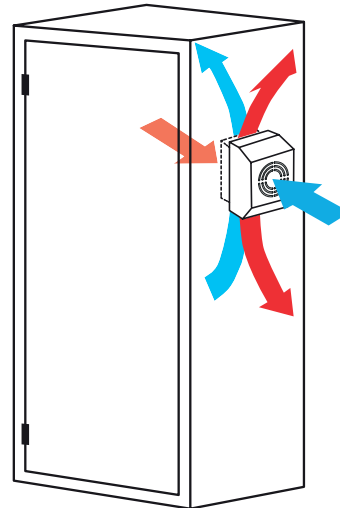
Specially designed for industrial enclosures placed in areas where the components are very sensitive to temperature changes and it's necessary an uniform temperature on the inside, as PLC'S, PC's, robots, electronic devices, video surveillance, etc.

## TECHNICAL DETAILS

- Designed for Indoor - Outdoor
- Catalogue range that covers all needs.
- Design for water repelling.
- Installation and handling in any position, horizontal, vertical, lying.
- The dirt doesn't accumulate on the inside so the maintenance is near 0.
- Ecofriendly.
- Easy installation with screws.
- Stainless steel envelope.
- Accurate and precise for complex ambience.
- Low power consumption, quick amortization.
- Very reliable operation in any position and resistant to sudden temperature changes

## FUNCTIONING

Functioning stainless steel thermoelectric cooler cooling + heating.



## SURFACE MOUNT HOUSING



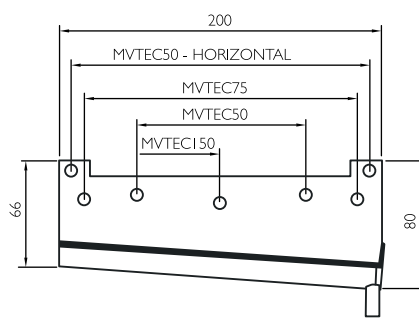
The thermoelectric cooler has an extra structure that can be used if there is no depth inside the enclosure

This option is interesting for later installations at existing systems.

IN CERTAIN SECTORS SUCH AS THE FOOD SECTOR, IT IS REQUIRED A HIGH LEVEL OF HYGIENE TO AVOID INFECTIONS; AND IN SECTORS AS THE MICROBIOLOGICAL, CHEMICAL OR PETROCHEMICAL SECTOR IS VITAL THE RESISTANCE TO THE CHEMICALS AND ENVIRONMENTAL EXTREMES AGENTS. I. IN DELVALLE, WE ARE SPECIALIST ON THIS ISSUE AND WE RECOMMEND THE USE OF OUR ENCLOSURES AND AIR CONDITIONING AND VENTILATION SYSTEMS IN STAINLESS STEEL

## CONDENSATE TROUGH FOR THERMOELECTRIC COOLERS (MVVE200)

- Suitable for the types MVTEC 50-150.
- Collecting of condensate.
- Material: Stainless steel, thickness 1 mm.
- With hose connection, ID = 8 mm.
- Hose with length 2 mtr. is included.



MVTEC100/150



MVTEC75



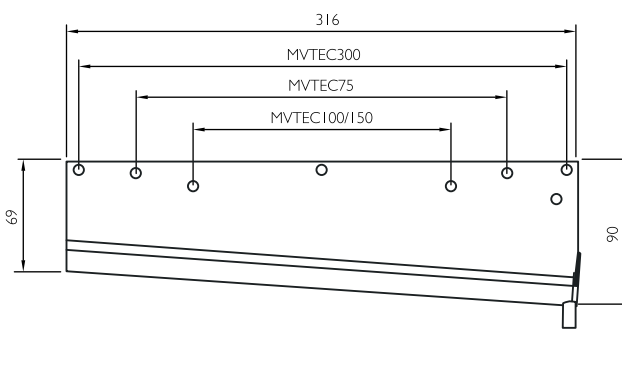
MVTEC50



MVTEC50

## CONDENSATE TROUGH FOR THERMOELECTRIC COOLERS (MVVE300)

- Suitable for the types MVTEC 75-300.
- Collecting of condensate.
- Material: Stainless steel, thickness 1 mm.
- With hose connection, ID = 8 mm.
- Hose with length 2 mtr. is included.



MVTEC300

MVTEC75

MVTEC100/150

## NORMS

- IP67 Norm IEC 60529.
- Approval UL
- Life time +60.000 hours
- Comply 2014/35/UE (low voltage directive)
- Comply EN 300386 and EN 55022 (electromagnetic compatibility normative)
- Comply EN 60950 (electrical security normative)

## REFERENCES

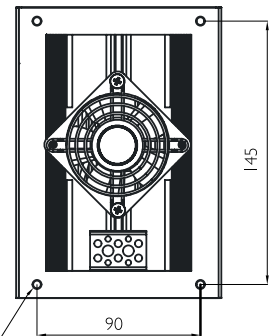
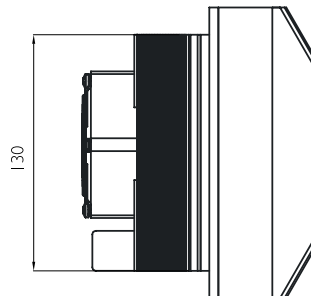
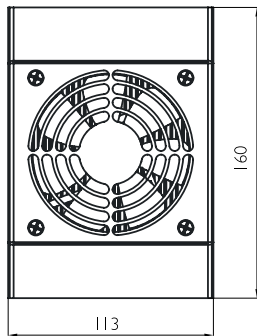
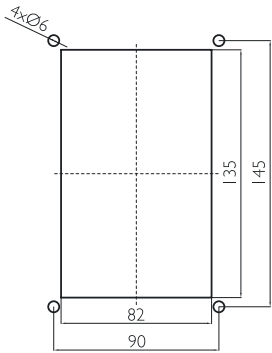
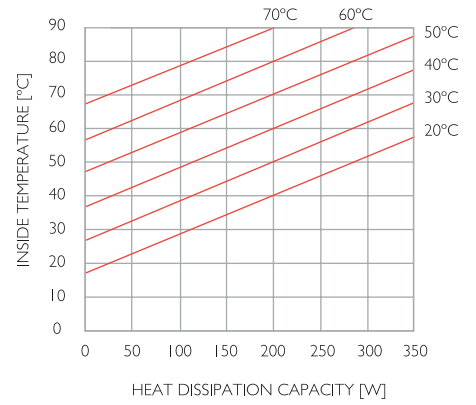
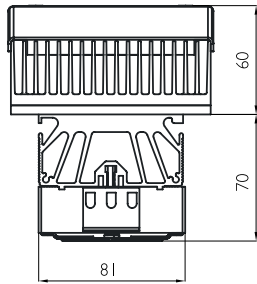
STAINLESS STEEL THERMOELECTRIC COOLER COOLING + HEATING IP65 / IP67						
REFERENCES	MVTEC030EH	MVTEC50EH	MVTEC75EH	MVTEC100EH	MVTEC150EH	MVTEC300EH
VOLTAGE	24V DC					
INPUT VOLTAGE RANGE	18-26V DC					12-28V DC
AMPERAGE	2,3A	2,5A	3,6A	5,2A	7,2A	15A
STARTING CURRENT	3,6A	3,9A	5,5A	7,5A	11A	18A
FUSE	4A (T)	4A (T)	6A (T)	10A (T)	10A (T)	20A (T)
COOLING CAPACITY $\Delta T=0$ KELVIN	30W	50W	75W	100W	150W	280W
HEATHING CAPACITY	45W	70W	100W	140W	200W	400W
NOMINAL POWER	55W	60W	87W	125W	173W	360W
SOUND PRESURE	56dB(A) @1m	62dB(A) @1m	65dB(A) @1m	64dB(A) @1m	69dB(A) @1m	80dB(A) @1m
AIR VOLUME POWER	20m³/h	50m³/h	70m³/h	80m³/h	80m³/h	285m³/h
PROTECTION	IP65	IP67				
SERVICE LIFE	60.000 h					
WEIGHT	1.750 gr.	3.200 gr.	5.550 gr.	7.200 gr.	7.300 gr.	18.500 gr.
OPERATING TEMPERATURE	-20°C +70°C					
NORMATIVE	UL / CE					CE

STAINLESS STEEL THERMOELECTRIC COOLER COOLING + HEATING IP65 WITH THERMOSTAT DUAL		
REFERENCES	MVTEC150_230V	MVTEC350_230V
VOLTAGE	100 - 240 V AC 50/60Hz	100 - 240 V AC
STARTING CURRENT	100V AC > 2,5 A 240V AC > 1 A	100V AC > 5,5 A 240V AC > 3 A
FUSE	100V AC > 4 A (T) 240V AC > 2 A (T)	100V AC > 6 A (T) 240V AC > 4 A (T)
CONNECTION	Conector de enchufe de 3 polos GST	-
COOLING CAPACITY $\Delta T=0$ KELVIN	150W	280W
HEATHING CAPACITY	200W	400W
NOMINAL POWER	185W	390W
CONTROLE RANGE	Heating: 0 a 20°C / Cooling: 30 a 50°C	-
OPERATING TEMPERATURE	-20°C +50°C	-20°C +70°C
SOUND PRESURE	65dB(A) @1m	80dB(A) @1m
AIR VOLUME POWER	80m³/h	285m³/h
PROTECTION	IP65	
SERVICE LIFE	60.000h	
WEIGHT	9.100 gr.	24.500 gr.
NORMATIVE	CE	

MVTEC030EH (30W) IP65



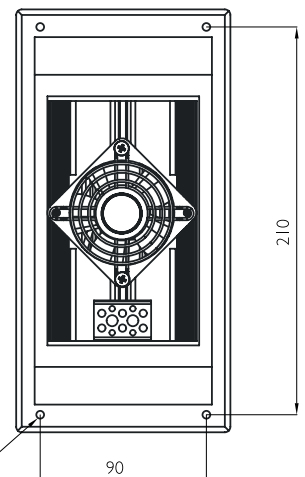
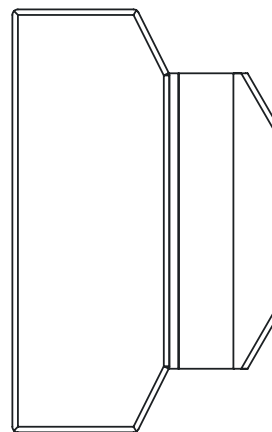
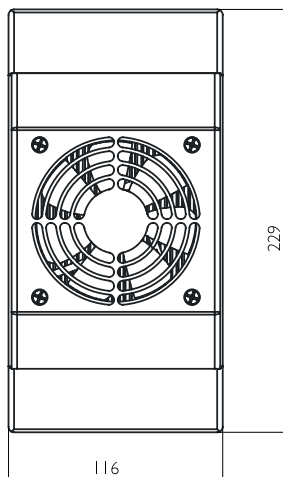
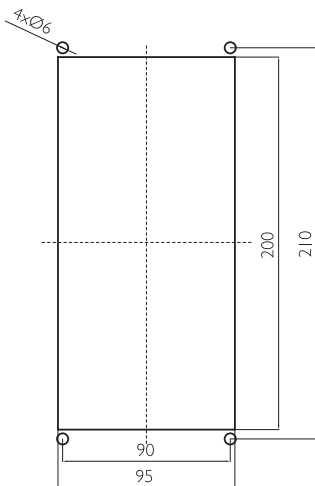
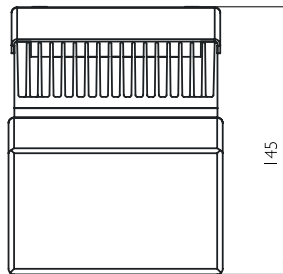
MVTEC030EH



4x M5 threads



MVTEC030EHF  
with housing



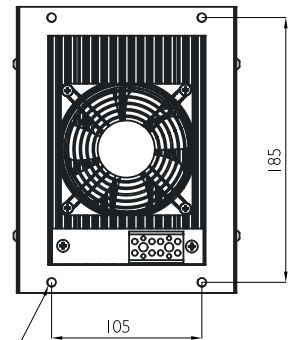
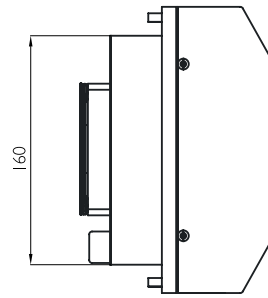
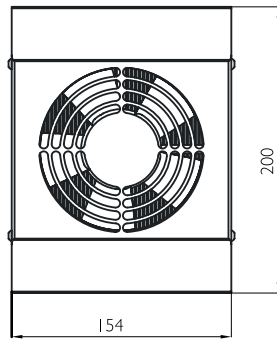
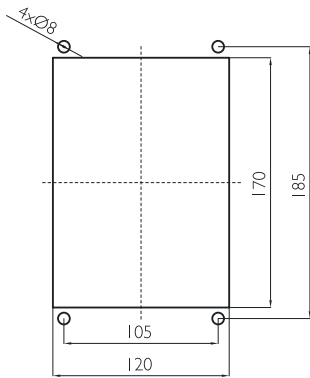
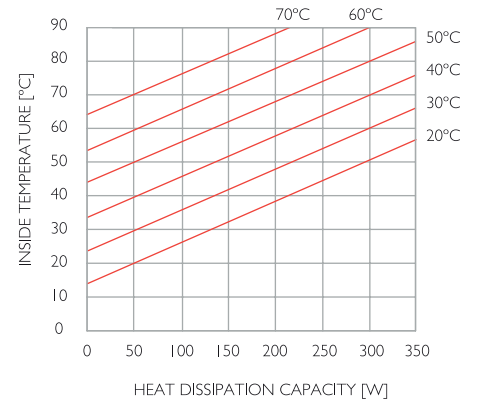
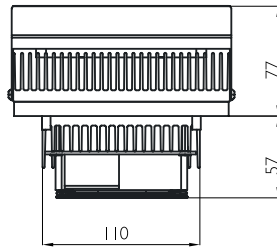
4x M5 threads

# STAINLESS STEEL THERMOELECTRIC COOLER COOLING + HEATING IP67

## MVTEC050EH (50W) IP67



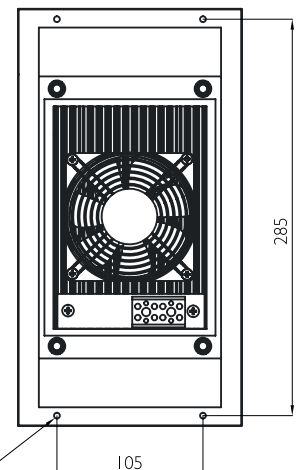
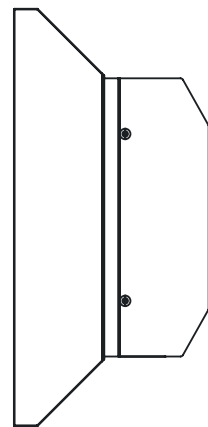
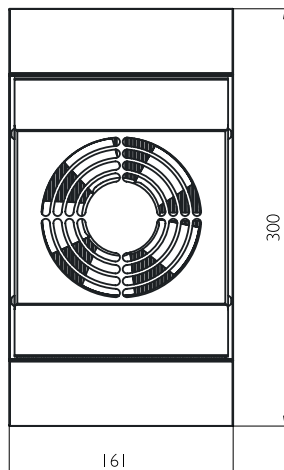
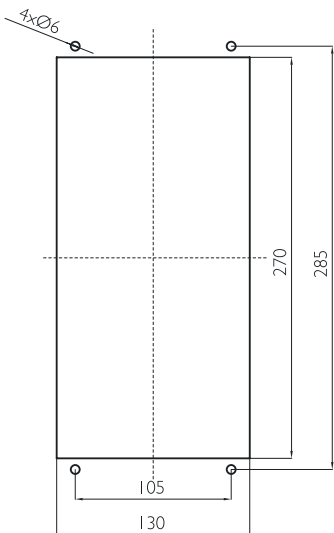
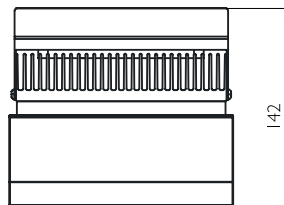
MVTEC050EH



4x M6 threaded bolts



MVTEC050EHF  
with housing

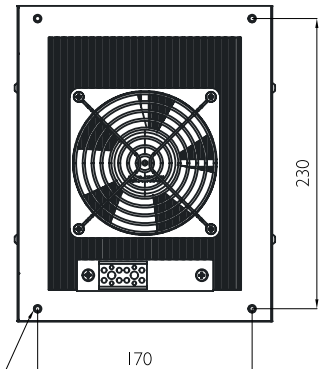
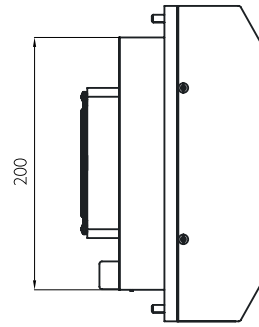
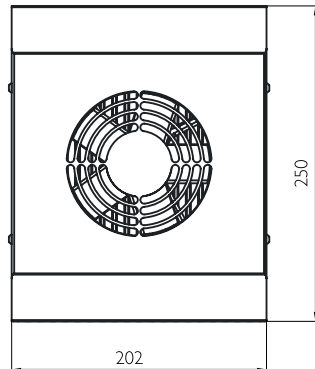
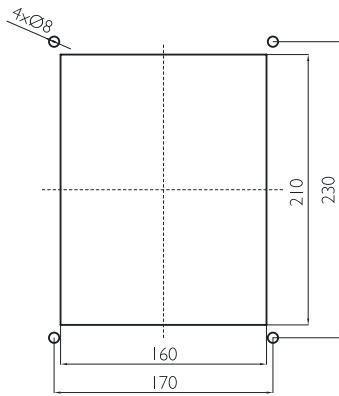
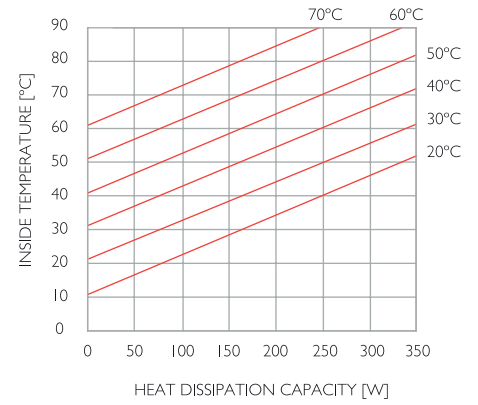
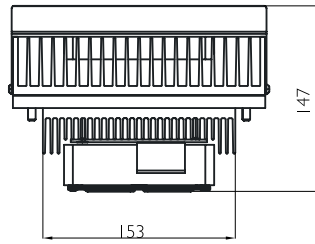


4x M5 threads

MVTEC075EH (75W) IP67



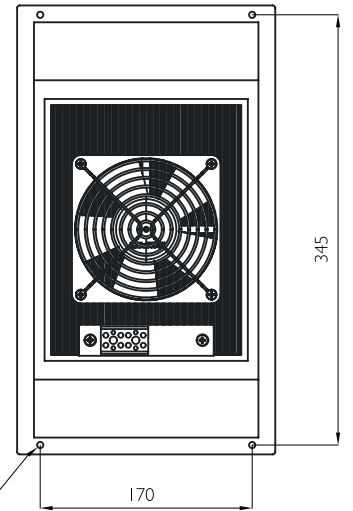
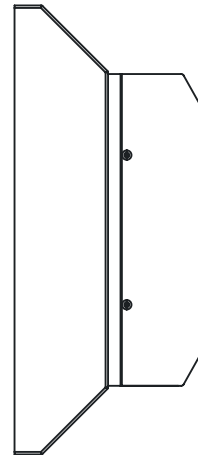
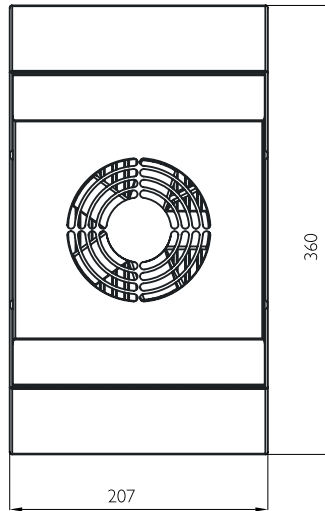
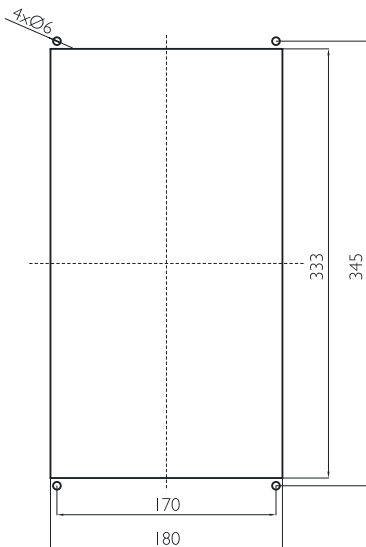
MVTEC075EH



4x M6 threaded bolts

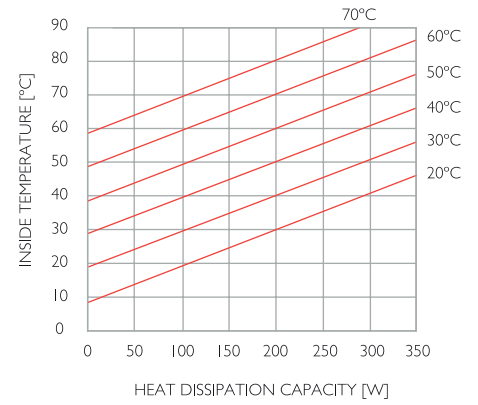


MVTEC075EHF with housing

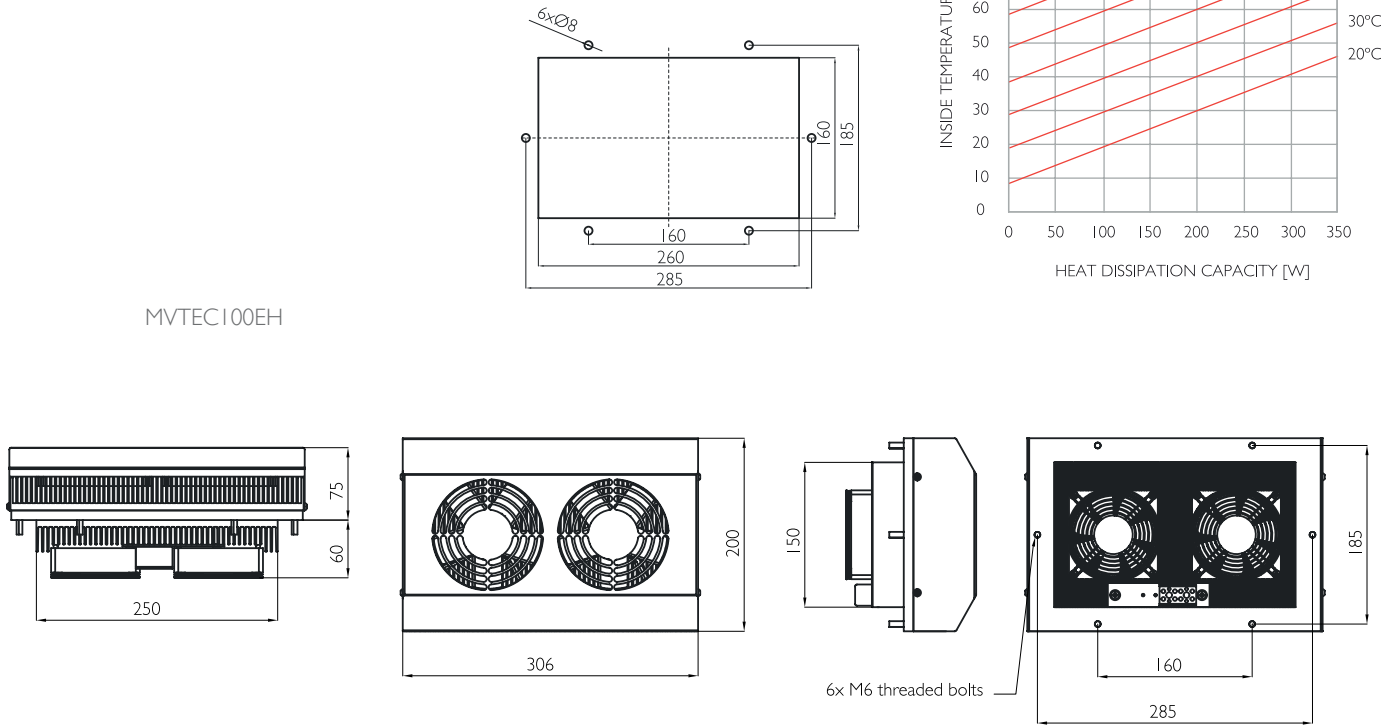


4x M5 threads

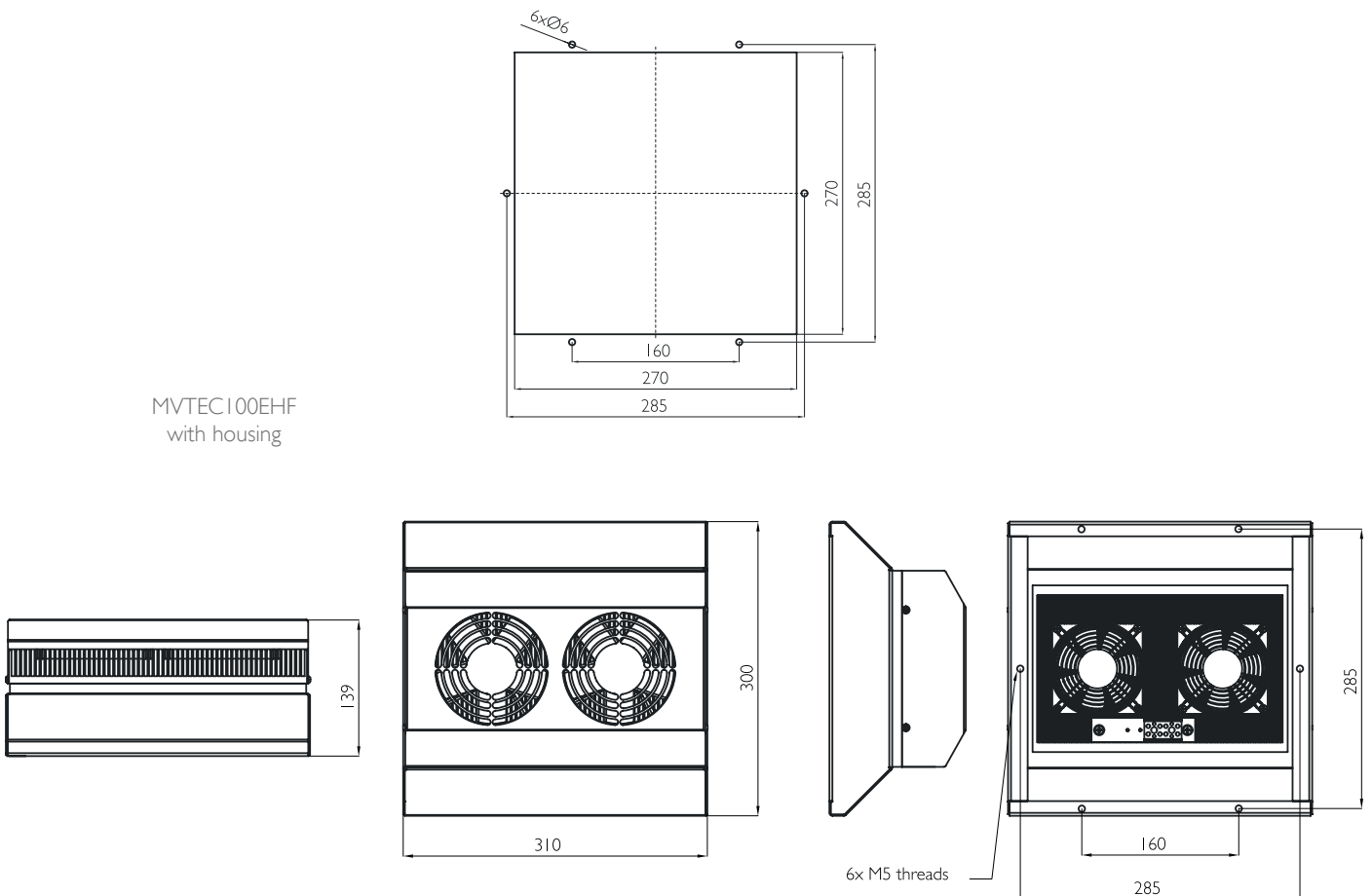
MVTEC100EH (100W) IP67



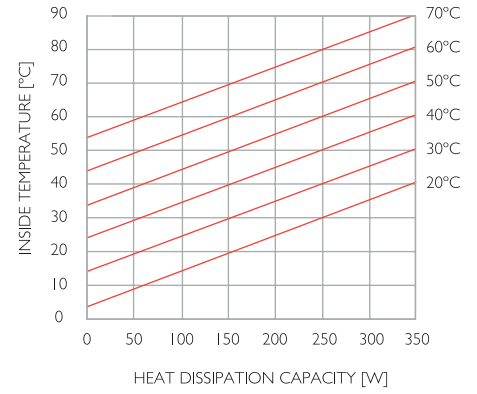
MVTEC100EH



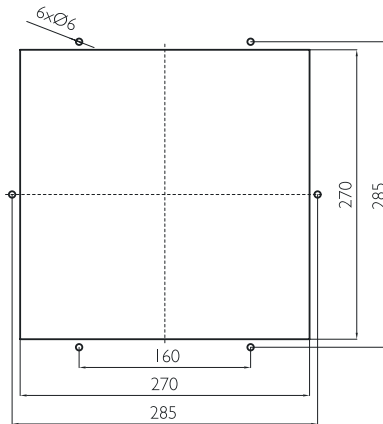
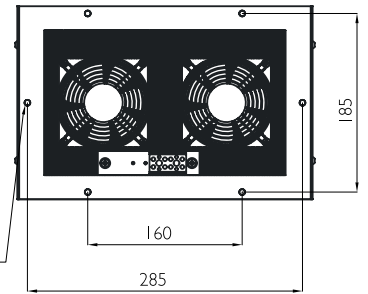
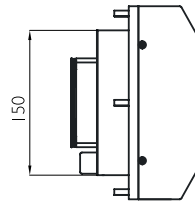
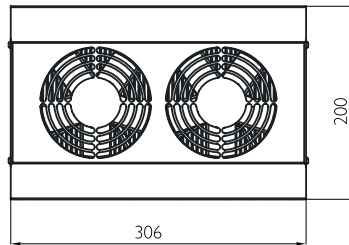
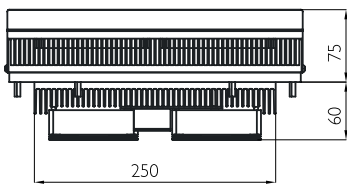
MVTEC100EHF  
with housing



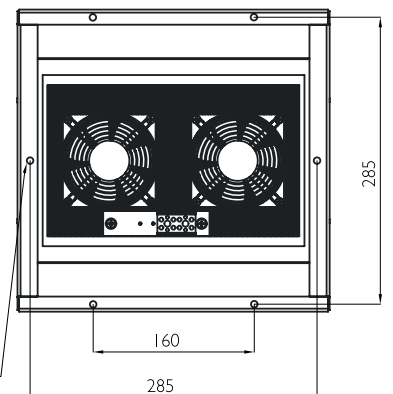
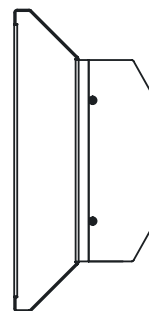
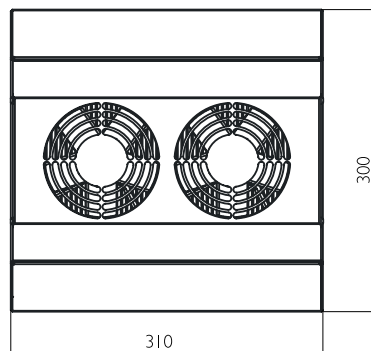
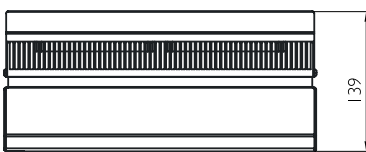
MVTEC I50EH (150W) IP67



MVTEC I50EH



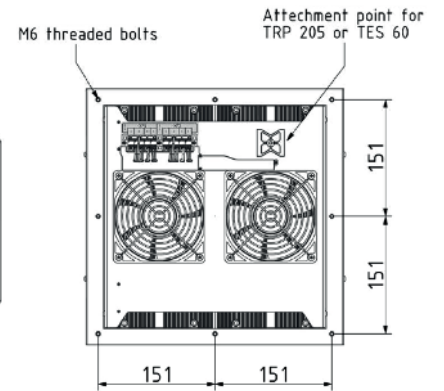
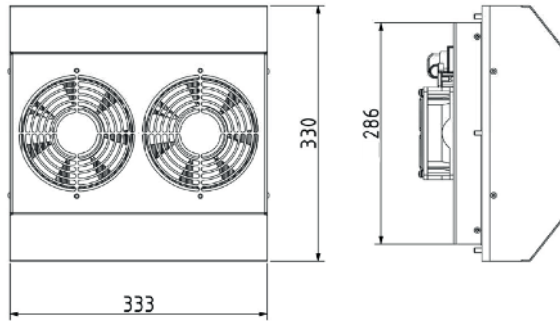
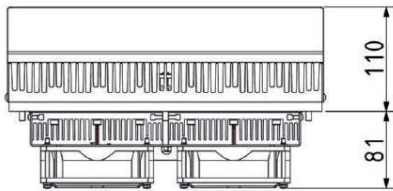
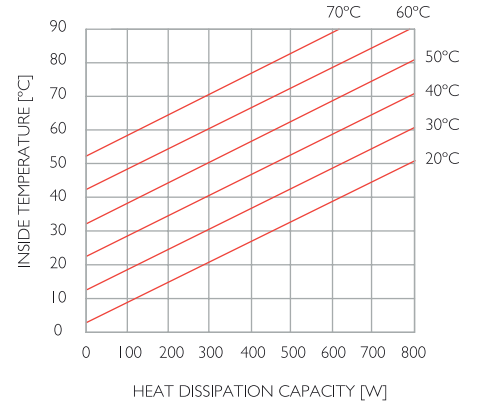
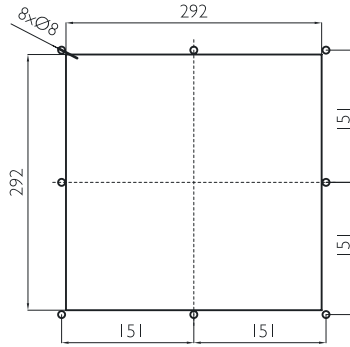
MVTEC I50EHF  
with housing



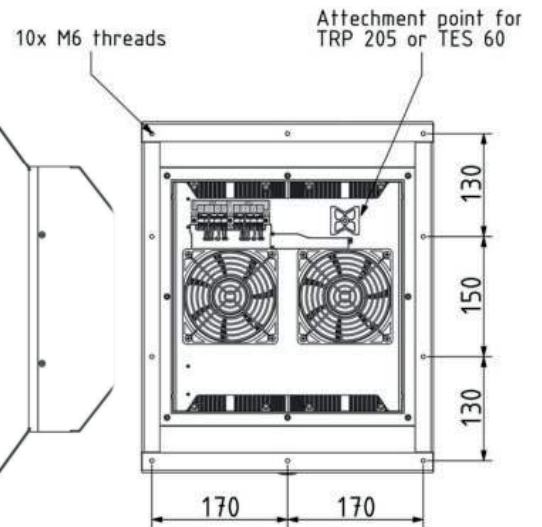
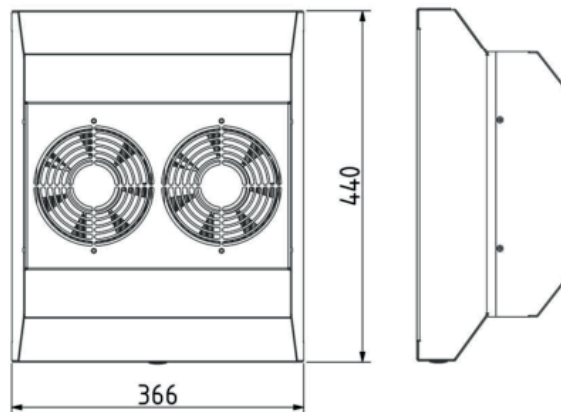
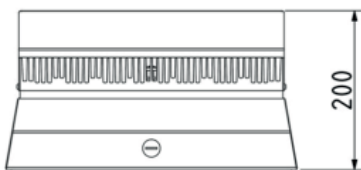
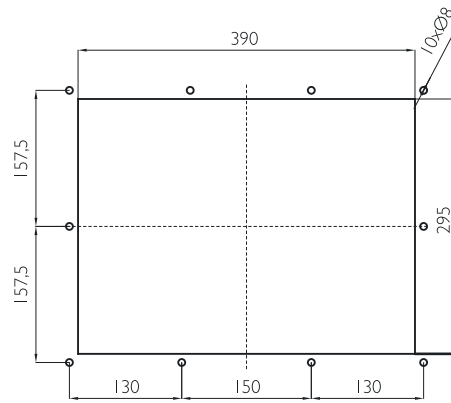
MVTEC300EH (300W) IP67



MVTEC300EH



MVTEC300EHF with housing



STAINLESS STEEL THERMOELECTRIC COOLER COOLING + HEATING IP67

MVTEC150\_230V (150W) WITH THERMOSTAT DUAL IP65



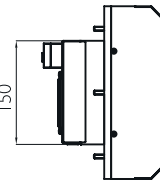
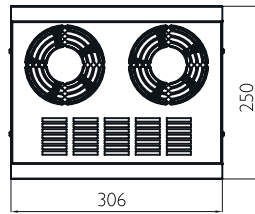
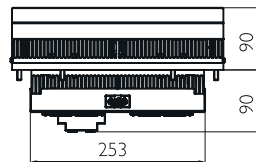
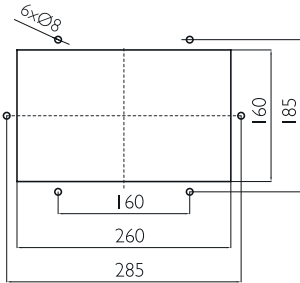
MVTEC150\_230V



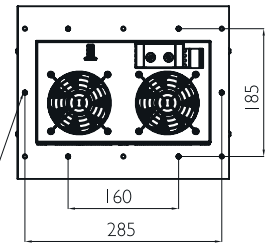
MVTEC150\_230VF  
with housing



MVTEC150\_230VF  
with housing



6x M6 threaded bolts



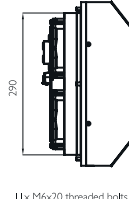
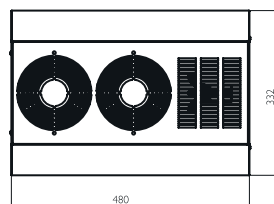
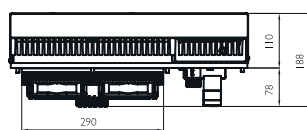
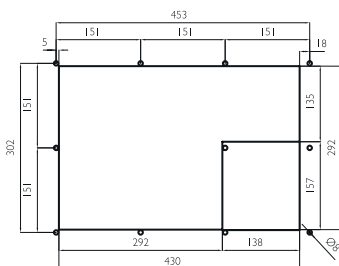
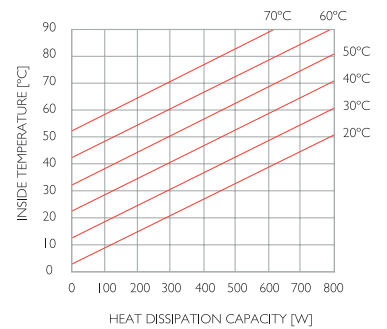
MVTEC300\_230V (300W) WITH THERMOSTAT DUAL IP65



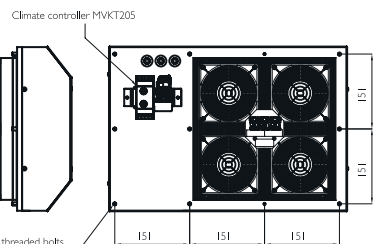
MVTEC300\_230V



MVTEC300\_230VF  
with housing



11x M6x20 threaded bolts





FOR MORE INFORMATION CLICK HERE

# OTHER ELEMENTS OF VENTILATION AND CLIMATE CONTROL

DELVALLE, EXPERTS IN VENTILATION AND CLIMATE CONTROL

One solution for every need. Our engineers equipment will find the best climate control installation and get a better performance and greater energy and cost savings



AIR CONDITIONERS



THERMOELECTRIC COOLERS

## TEMPERATURE CONTROL



FILTER FANS



RESISTANCE HEATERS

# CUSTOMIZED ENCLOSURE SOLUTIONS DELVALLE

*Delvalle has more than 50 years of experience using the latest technology to implement and obtain the most innovative products on offer to all our customers. Delvalle is an ideal partner, combining an advanced and wide range of products at very competitive prices.*

*The customized manufacture of all electrical enclosures and cabinets Delvallebox is carry out with the most advanced technical methods and with the precision and consciousness of a craftsman. This makes the difference from competitors and is the best way to gain our customers' trust.*

*In Delvallebox we bear in mind that customers perceive the quality very clearly. In every product (for instance, in the cabinets here presented) safety and useful solutions are what customers value most.*



STAINLESS STEEL INDUSTRIAL ENCLOSURES



OUTDOOR ELECTRICAL ENCLOSURES



GLOBAL ELECTRICAL SOLUTIONS FOR URBAN AREAS



GALVANIZED STEEL ELECTRICAL ENCLOSURES

## ATEX INDUSTRIAL ENCLOSURES



SLOPED ROOF  
ENCLOSURES - HYGIENIC



## INDUSTRIAL ENCLOSURES IP66, IP67, IP68 AND IP69K

Buy direct from manufacturer of custom made IP66, IP67, IP68 and IP69K heavy duty industrial and waterproof electrical enclosures AISI 304L and 316L made by standard IEC 60529. Delvalle has tested all sizes and dimensions of waterproof enclosures according to EN 60529:2018. All weather resistant enclosures are more than simply rainproof, they meet a minimum of Nema 4X and IP66, IP67, IP68 and IP69k requirements to ensure your electronics are protected. From Junction boxes to industrial enclosures, Delvalle weatherproof enclosures offer a wide range of sizes and styles to keep your project waterproof.



## CLIMATE CONTROL COOLING FOR ENCLOSURES



CABLE GLANDS FOR  
ELECTRICAL ENCLOSURES





Paso del Prao, 6. 01320 Oyón (Álava). Spain  
P. +34 945 601 381  
comercial@delvalle.es | [www.delvallebox.com](http://www.delvallebox.com)  
**Contact us, we will be available at any time**

