



Enclosures & Cabinets for Special Requirements

COMPLETE SOLUTIONS

HYGIENIC DESIGN

ELECTRICAL ENCLOSURES



HD
HYGIENIC
DESIGN





WE PUT AT YOUR DISPOSAL

We offer over **45 years** providing solutions to demanding customers who require very specific characteristics and behaviour according to the sector and their needs.

WHEREVER YOU GO

We are committed to working closely with our customers, providing them with **exceptional service** and offering an advanced and extensive range of products with very competitive prices.

HIGH STANDARD OF QUALITY AND SERVICES

We only use materials provided by companies who offer the very **highest quality**, suitable and certified products. Our success is due to top quality assurance: ISO 9001, SGS, UL, TÜV, ISO 14000 and ISO45001.

CUSTOMIZE TOTALLY YOUR ENCLOSURE

Our production systems can give custom-made solutions **on demand**. Every colour from RAL chart is available to be personalized. A variety of protection standards thanks to our own painting facilities.

CONTACT US

Confidentiality, reliability & quality

www.delvallebox.com
comercial@delvalle.es
 +34 945 601 381

ALSO ONLINE

Please contact our technical sales department

A team of professionals with high experience and ability to solve all your queries



ELECTRICAL ENCLOSURE HYGIENIC TRIBECA SERIES IP66

WITH SILICONE GASKET



Examples



Monobloc Manufacture Gives Total Sealing and Maximum Resistance

Electrical Hygienic Design Tribeca Series enclosure with a large capacity, specially designed for the food industry.

No openings, hinges, where bacteria could lie. Easy opening by rotating handle and four point lock, easy placement on the floor; flexible, maximum working width.

Moreover the inclination of the roof prevents objects being placed on the surface and our vertical electro polished finish helps repel liquids and prevent virus and bacteria building up on the surface.

→ FOR MORE INFORMATION CLICK HERE

APPLICATIONS

Especially designed for the food industry and sterile rooms, wineries, dairies and take away food outlets or any other place where cleanliness is essential as well as total absence of dust, dirt and bacteria.

ELECTRICAL ENCLOSURE HYGIENIC TRIBECA SERIES IP66

ADVANTAGES

- Supplied wrapped in protective film which prevents scratches and abrasions during handling.
- Resistant seal to temperatures from -60°C up to $+200^{\circ}\text{C}$.
- The monobloc manufacture gives total sealing and maximum resistance.
- No openings where bacteria could lie.
- With electro-polished finish that helps to slide the liquid and waterproof seal that prevents dirt and bacteria deposits.
- 100% stainless steel from handle to opening system. 120° door opening. Standard opening to the left.
- Specify if you need opening to the right.
- Standard electrical panel and handle lock with four locking points and concealed stainless steel hinges.
- Delvalle supplies any measurements required including custom built holes and cut outs both for the door and enclosure.
- Distributed load 600 Kg.
- Captives screws.

OPTIONS

- IP69K protection.
- Option painted galvanized steel finish in RAL 7035 or another color.
- Custom made based on your needs.
- With a choice of two doors (from 1200 mm width).
- Plinths at base. Castors. Metal legs.
- Clear polycarbonate door or transparent safety glass door (no IP69K).
- Manufactured in stainless steel AISI 316L EN 14404.
- Mounting plate insulator (bakelite) or stainless steel.
- We have hygienic glands on request.



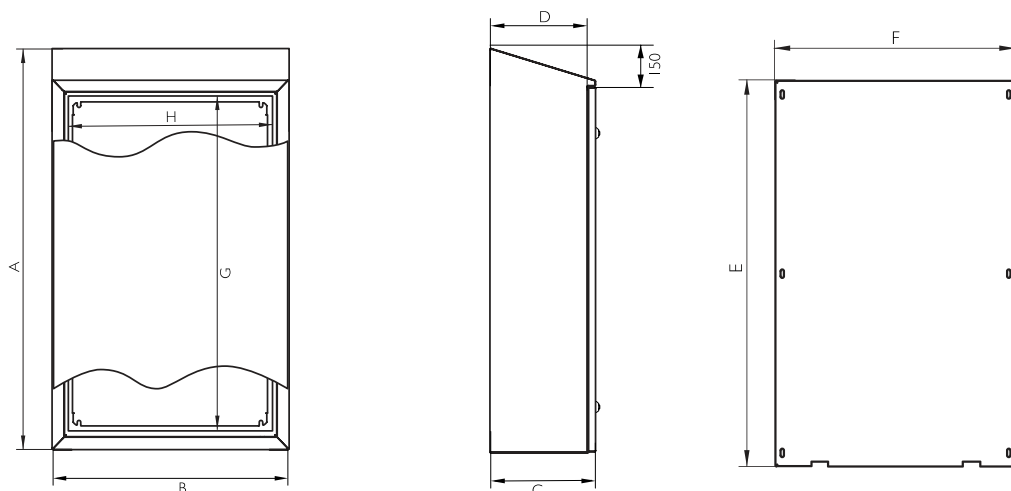
NORMATIVE

- IP66 by request. Norm IEC 60529.
- DIN 40050-9 - IP69.
- Maximum IK10 resistance Norm IEC 62262.
- EC 1935/2004 rule compliant for materials intended to come into contact with food.
- DIN EN ISO 14159 Machine safety – Hygienic requirements pertaining to the design of machinery.
- Machinery Directive 2006/42/EC (previously 89/37/EC) Food machinery and cosmetic or pharmaceutical production.
- EHEDG Guideline Hygienic Design doc. I3 machinery for open processes.
- DIN EN 1672-2:2006 for food industry machinery.
- Manufactured following EU low voltage ruling 2014/35/UE.
- Compliant RoHS Directive.
- UL approval Nema 4x, 12, 3r, 1. N° File E342220.
- Maximum voltage 1000V.
- Temperature resistant: -40°C + 100°C (short time + 160°C).
- Option silicone gasket: from -60°C to $+180^{\circ}\text{C}$ (short time up to $+350^{\circ}\text{C}$).

ELECTRICAL ENCLOSURE HYGIENIC TRIBECA SERIES IP66

PLAN

→ [CLICK HERE TO DOWNLOAD THE FILES CAD - PLANS - CERTIFICATES](#)



5
YEARS

MECHANICAL PARTS
GUARANTEE

10
YEARS

STAINLESS
ANTICORROSIVE
GUARANTEE

REFERENCES

REFERENCES	DIMENSIONS(mm)									
BLIND DOOR	HEIGHT -A-	WIDTH -B-	DEPTH -C-	ENTRY ACCESS -GXH-	DEPTH USEFUL -D-	AREA MECANIZABLE DOOR	AREA SIDE MECANIZABLE	ACCESS PLATE MEASUREMENT -ExF-	WEIGHT (Kg)	VOLUME (m ³)
HDT166040	1650	600	400	1447x500	375,5	1424x487,8	1614,8x344	1520x490	70,9	0,42
HDT167040	1650	700	400	1447x600	375,5	1424x587,8	1614,8x344	1520x590	82,7	0,49
HDT168040	1650	800	400	1447x700	375,5	1424x687,8	1614,8x344	1520x690	94,5	0,56
HDT161040	1650	1000	400	1447x900	375,5	1424x887,8	1614,8x344	1520x890	111,41	0,66
HDT161050	1650	1000	500	1447x900	475,5	1424x887,8	1766x444	1520x890	119,69	0,85
HDT186040	1800	600	400	1597x500	375,5	1574x487,8	1764,8x344	1670x490	77,65	0,46
HDT187040	1800	700	400	1597x600	375,5	1574x587,8	1764,8x344	1670x590	91,12	0,54
HDT188040	1800	800	400	1597x700	375,5	1574x687,8	1764,8x344	1670x690	102,97	0,61
HDT181040	1800	1000	400	1597x900	375,5	1574x887,8	1764,8x344	1670x890	126,6	0,75
HDT181050	1800	1000	500	1597x900	475,5	1574x887,8	1966x444	1870x890	130,68	0,93
HDT206040	2000	600	400	1797x500	375,5	1774x487,8	1964,8x344	1870x490	86,09	0,51
HDT207040	2000	700	400	1797x600	375,5	1774x587,8	1964,8x344	1870x590	94,13	0,59
HDT208040	2000	800	400	1797x700	375,5	1774x687,8	1964,8x344	1870x690	103,10	0,67
HDT201040	2000	1000	400	1797x900	375,5	1774x887,8	1964,8x344	1870x890	117,58	0,83
HDT201050	2000	1000	500	1797x900	475,5	1774x887,8	1966x444	1870x890	140	1,03

Version: IP69K Add: "/69" to reference Ex: "HDT166040/69"

Delvalle custom made any size you can not find in this table. Available bottom to 1000 mm

MOUNTING OPTIONS



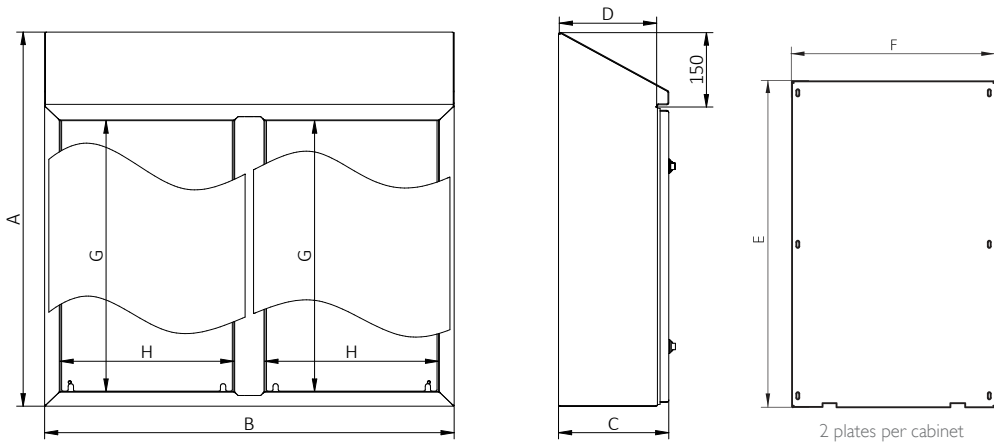
Metal legs

TRESTLE
REFERENCE
HD2000PAT

METAL LEGS			
REFERENCES	HEIGHT	WIDTH	DEPTH
HDT186040BAS	200	600	400
HDT188040BAS	200	800	400
HDT181040BAS	200	1000	400
HDT186050BAS	200	600	500
HDT188050BAS	200	800	500
HDT181050BAS	200	1000	500
HDT206040BAS	300	600	400
HDT208040BAS	300	800	400
HDT201040BAS	300	1000	400
HDT206050BAS	300	600	500
HDT208050BAS	300	800	500
HDT201050BAS	300	1000	500



Trestle



5
YEARS
MECHANICAL PARTS
GUARANTEE

10
YEARS
STAINLESS
ANTICORROSIVE
GUARANTEE

REFERENCIAS 2 PUERTAS

REFERENCIAS	DIMENSIONS (mm)									
BLIND DOOR	HEIGHT -A-	WIDTH -B-	DEPTH -C-	ENTRY ACCESS -GXH-	DEPTH USEFUL -D-	AREA MECANIZABLE DOOR	AREA SIDE MECANIZABLE	ACCESS PLATE MEASUREMENT -ExF-	WEIGHT (Kg)	VOLUME (m ³)
HDT166040	1650	1200	400	1447x500	375,5	1424x487,8	1614,8x344	1520x490	123,1	0,84
HDT167040	1650	1400	400	1447x600	375,5	1424x587,8	1614,8x344	1520x590	146,4	0,98
HDT168040	1650	1600	400	1447x700	375,5	1424x687,8	1614,8x344	1520x690	170,7	1,2
HDT161040	1650	2000	400	1447x900	375,5	1424x887,8	1614,8x344	1520x890	201,62	1,25
HDT161050	1650	2000	500	1447x900	475,5	1424x887,8	1766x444	1520x890	217,35	1,69
HDT186040	1800	1200	400	1597x500	375,5	1574x487,8	1764,8x344	1670x490	136,8	0,93
HDT187040	1800	1400	400	1597x600	375,5	1574x587,8	1764,8x344	1670x590	161,54	1,01
HDT188040	1800	1600	400	1597x700	375,5	1574x687,8	1764,8x344	1670x690	184,54	1,18
HDT181040	1800	2000	400	1597x900	375,5	1574x887,8	1764,8x344	1670x890	231,91	1,52
HDT181050	1800	2000	500	1597x900	475,5	1574x887,8	1966x444	1870x890	239,26	1,86
HDT206040	2000	1200	400	1797x500	375,5	1774x487,8	1964,8x344	1870x490	151,78	1,12
HDT207040	2000	1400	400	1797x600	375,5	1774x587,8	1964,8x344	1870x590	166,67	1,19
HDT208040	2000	1600	400	1797x700	375,5	1774x687,8	1964,8x344	1870x690	184,51	1,31
HDT201040	2000	2000	400	1797x900	375,5	1774x887,8	1964,8x344	1870x890	212,67	1,61
HDT201050	2000	2000	500	1797x900	475,5	1774x887,8	1966x444	1870x890	256,9	2,05

Version: IP69K

Add "169" to reference Ex: "HDT166040/69"

Delvalle custom made any size you can not find in this table. Available bottom to 1000 mm



DELVALLE OFFERS OTHER SOLUTIONS

➔ FOR MORE INFORMATION CLICK HERE

www.delvallebox.com

comercial@delvalle.es

+34 945 601 381

ALSO ONLINE

STAINLESS STEEL
INDUSTRIAL ENCLOSURES



OUTDOOR HEAVY DUTY
ELECTRICAL ENCLOSURES



OUTDOOR TELECOM 19
RACKS & CABINETS



GALVANIZED STEEL
ELECTRICAL ENCLOSURES



HYGIENIC DESIGN ENCLOSURES



ALUMINIUM ELECTRICAL
ENCLOSURES





**Consult us
without obligation**

Confidentiality, reliability & quality

DELVALLE OFFERS OTHER SOLUTIONS

www.delvallebox.com

comercial@delvalle.es

+34 945 601 381

ALSO ONLINE

➔ [FOR MORE INFORMATION CLICK HERE](#)

WATERPROOF SHEET STEEL ELECTRICAL ENCLOSURES



CLIMATE CONTROL COOLING FOR ELECTRICAL ENCLOSURES



NEMA ELECTRICAL ENCLOSURES TYPE 1-3R-4X-12



MODULAR DISTRIBUTION ENCLOSURES



EMC ELECTRICAL ENCLOSURES SOLUTIONS



CABLE GLANDS & ENTRY SEALS FOR CABINETS





ENCLOSURES & CABINETS FOR SPECIAL REQUIREMENTS



Paso del Prao, 6. 01320 Oyón (Álava), Spain
Telf. +34 945 601 381
www.delvallebox.com - comercial@delvalle.es

Contact us, we will be available at any time

