

# VENT DRAINS FOR THERMOELECTRIC COOLERS AND ENCLOSURES





## WE PUT AT YOUR DISPOSAL

We offer over **45 years** providing solutions to demanding customers who require very specific characteristics and behaviour according to the sector and their needs.

## WHEREVER YOU GO

We are committed to working closely with our customers, providing them with **exceptional service** and offering an advanced and extensive range of products with very competitive prices.

## HIGH STANDARD OF QUALITY AND SERVICES

We only use materials provided by companies who offer the very **highest quality**, suitable and certified products. Our success is due to top quality assurance: ISO 9001, SGS, UL, TÜV, ISO 14000 and Ohsas 18001.

## CUSTOMIZE TOTALLY YOUR ENCLOSURE

Our production systems can give custom-made solutions **on demand**. Every colour from RAL chart is available to be personalized. A variety of protection standards thanks to our own painting facilities.



**100%**  
*Entirely designed  
and manufactured  
in Europe*

## CONTACT US

Confidentiality, reliability & quality

[www.delvallebox.com](http://www.delvallebox.com)

[comercial@delvalle.es](mailto:comercial@delvalle.es)

+34 945 601 381

ALSO ONLINE

Please contact our technical sales department

A team of professionals with high experience and ability to solve all your queries



# STAINLESS STEEL VENT DRAINS FOR THERMOELECTRIC COOLERS AND ENCLOSURES IP66



Example

**Helps Reduce Corrosion that Can Limit the Life of Internal Electronic Components**

The vent drains allows accumulated water to drain out the bottom of an electrical enclosure. The UL UL/cUL, NEMA Type 4, 4X vent drains also function as an air pressure equalizer; reducing the harmful effects of temperature-induced vacuums that could pull water and moisture into the enclosure.

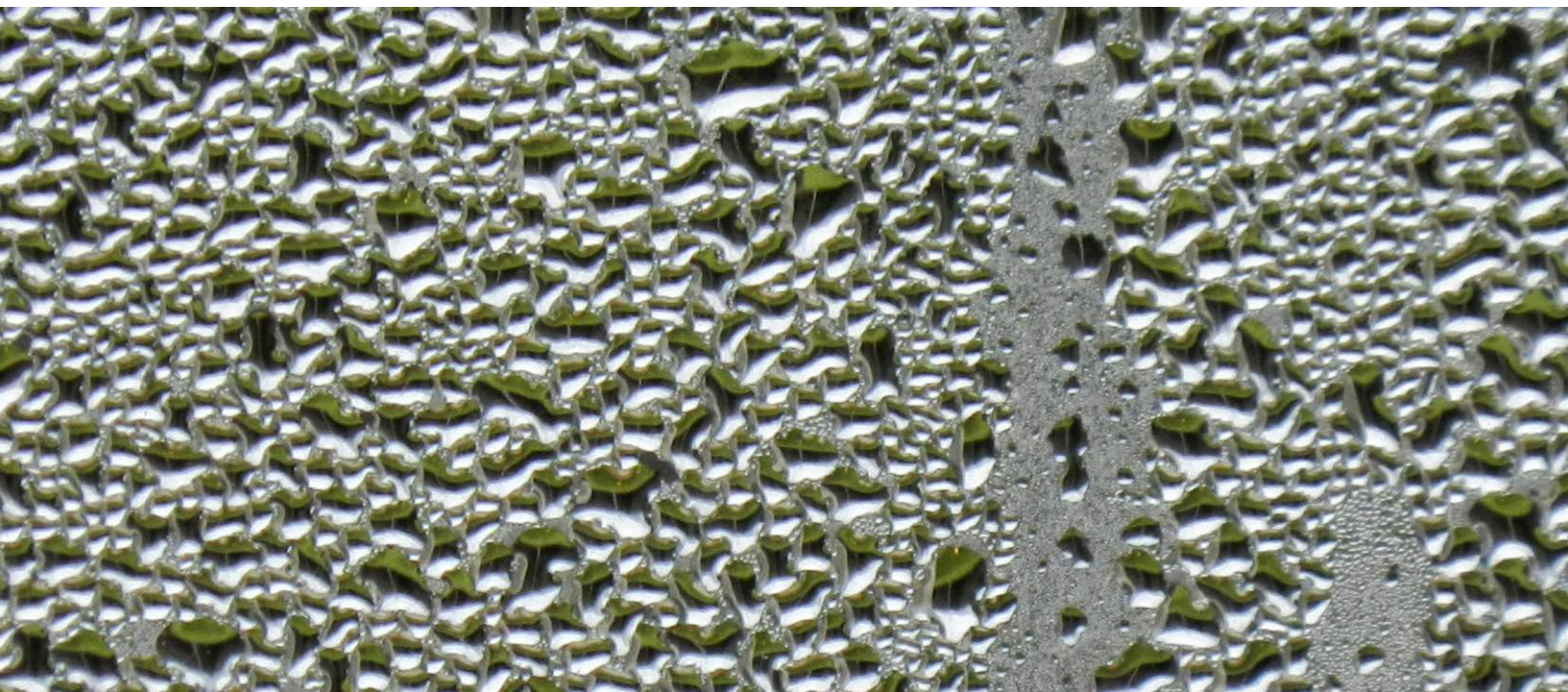
[FOR MORE INFORMATION CLICK HERE](#)

## FEATURES

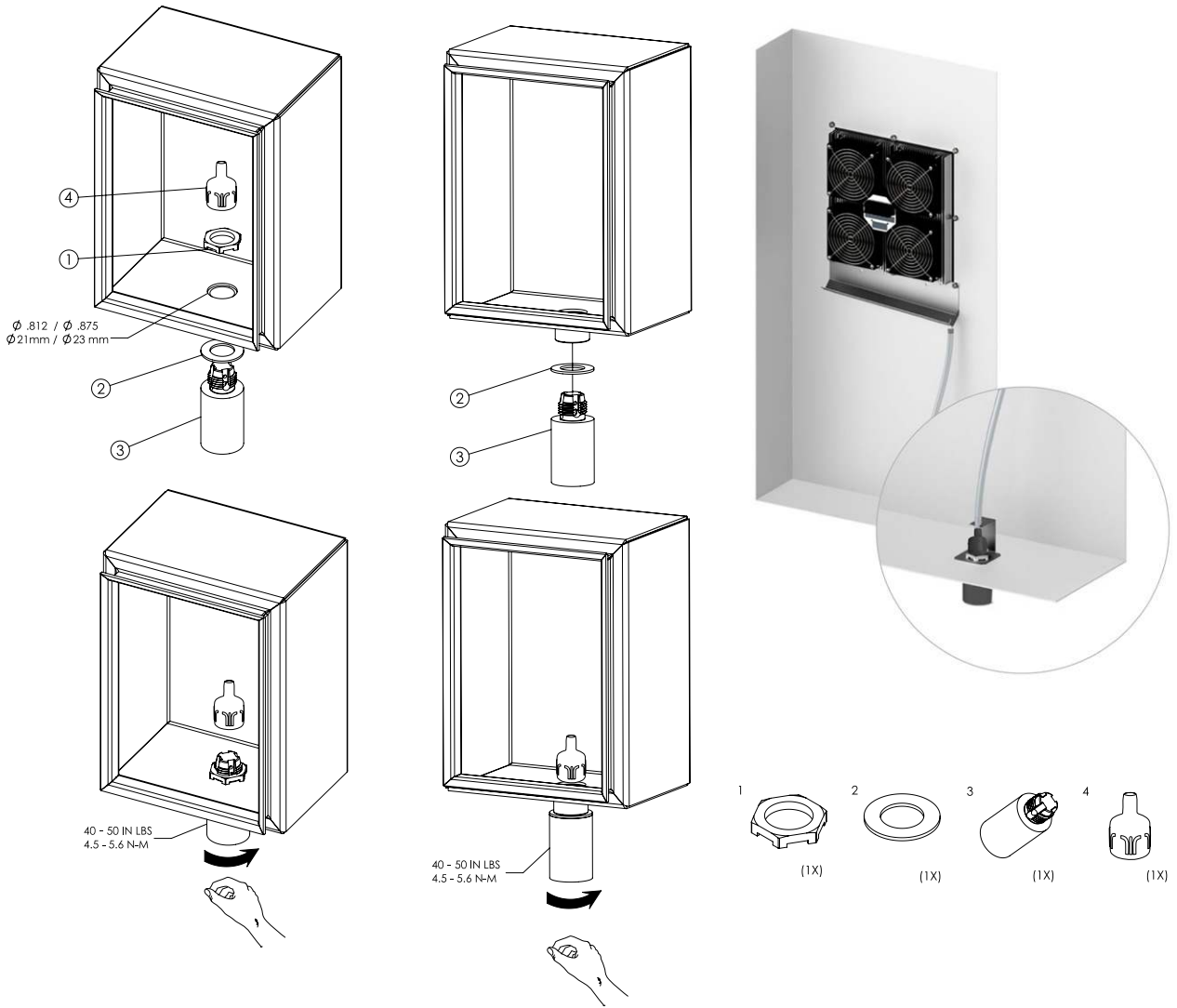
- Uses gravity to remove collected liquids.
- One-way mechanical shut-off when pressure is equalized prevents water and contaminants from entering the enclosure.
- Helps reduce corrosion that can limit the life of internal electronic components.
- Maintains enclosures UL Type rating when properly installed.

## NORMATIVE

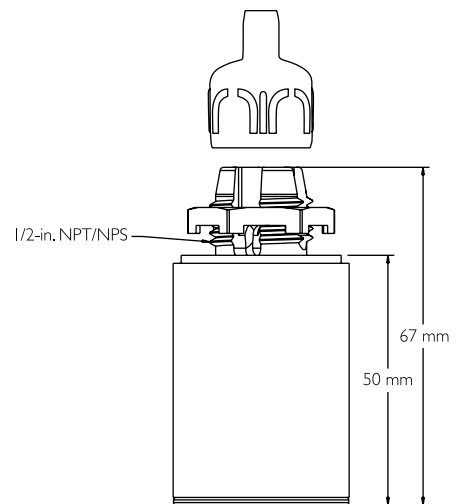
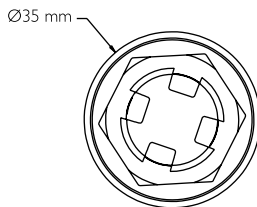
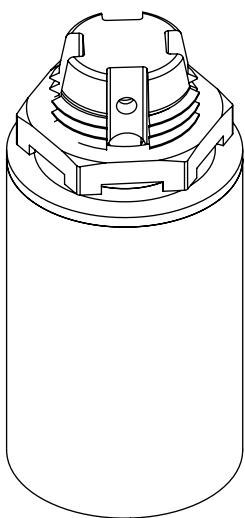
- Certificate UL Nema 4x, 12, 3r, 1.
- IP(W)66 corrosive environments.



## INSTALLATION



## DIMENSIONS AND REFERENCES



REFERENCE STAINLESS STEEL VENT DRAIN			
REFERENCE	DESCRIPTION	HIGH (mm)	Ø (mm)
MVVD300.I	Stainless steel AISI 304	67	35

# NYLON VENT DRAINS FOR THERMOELECTRIC COOLERS AND ENCLOSURES

IP68 IP69



Example

## The Degree of Protection of the Enclosure is Maintained Up to IP68/69

Due to the low opening-pressure of the valve, the vent drain installed on the underside of the cabinet can also drain water that is standing on the bottom almost completely. With proper installation and through the built-in membrane and check valve, the degree of protection of the enclosure is maintained up to IP68/69.

➔ [FOR MORE INFORMATION CLICK HERE](#)

## ADVANTAGES

- Reduction of maintenance and costs.
- Integrated check valve for a safe drainage.
- A high degree of enclosure protection is maintained – water and dustproof.
- Universal hose connection.

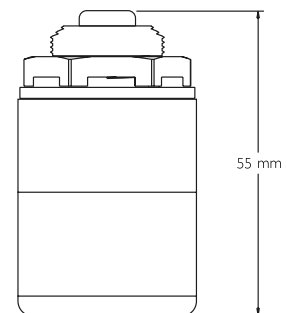
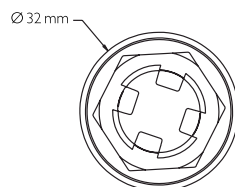
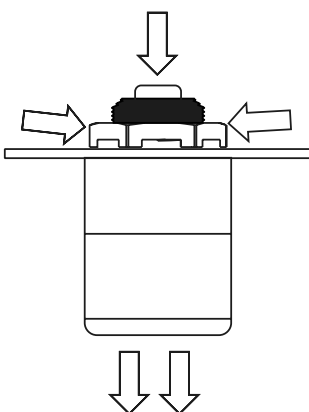
## NORMATIVE

- Degree of protection: IP68 / IP69.
- Operating temperature: -40 °C to +70 °C.

## FEATURES

- Simultaneous drainage of condensate from cooling /dehumidifying devices and from the housing bottom.
- Mounting below the enclosure bottom.
- Hose connection for cooling device.
- Thread: M20 x 1,5.
- Tightening torque: 4 Nm.
- Material housing: Nylon PA 12.
- Material sealing gasket: silikon.

## DIMENSIONS AND REFERENCES



### REFERENCE NYLON VENT DRAIN

REFERENCE	HIGH (mm)	Ø (mm)
MVVD400.P	55	32

## CUSTOMIZED ENCLOSURE SOLUTIONS DELVALLE

*Delvalle has more than 45 years of experience using the latest technology to implement and obtain the most innovative products on offer to all our customers. Delvalle is an ideal partner, combining an advanced and wide range of products at very competitive prices.*

*The customized manufacture of all electrical enclosures and cabinets Delvallebox is carry out with the most advanced technical methods and with the precision and consciousness of a craftsman. This makes the difference from competitors and is the best way to gain our customers' trust.*

*In Delvallebox we bear in mind that customers perceive the quality very clearly. In every product (for instance, in the cabinets here presented) safety and useful solutions are what customers value most.*



STAINLESS STEEL  
INDUSTRIAL ENCLOSURES



OUTDOOR ELECTRICAL  
ENCLOSURES



GLOBAL ELECTRICAL  
SOLUTIONS FOR URBAN AREAS



GALVANIZED STEEL  
ELECTRICAL ENCLOSURES

## ATEX INDUSTRIAL ENCLOSURES



SLOPED ROOF ENCLOSURES - HYGIENIC



## INDUSTRIAL ENCLOSURES IP66, IP67, IP68 AND IP69K

Buy direct from manufacturer of custom made IP66, IP67, IP68 and IP69K heavy duty industrial and waterproof electrical enclosures AISI 304L and 316L made by standard IEC 60529. Delvalle has tested all sizes and dimensions of waterproof enclosures according to EN 60529:2018. All weather resistant enclosures are more than simply rainproof, they meet a minimum of Nema 4X and IP66, IP67, IP68 and IP69k requirements to ensure your electronics are protected. From Junction boxes to industrial enclosures, Delvalle weatherproof enclosures offer a wide range of sizes and styles to keep your project waterproof.

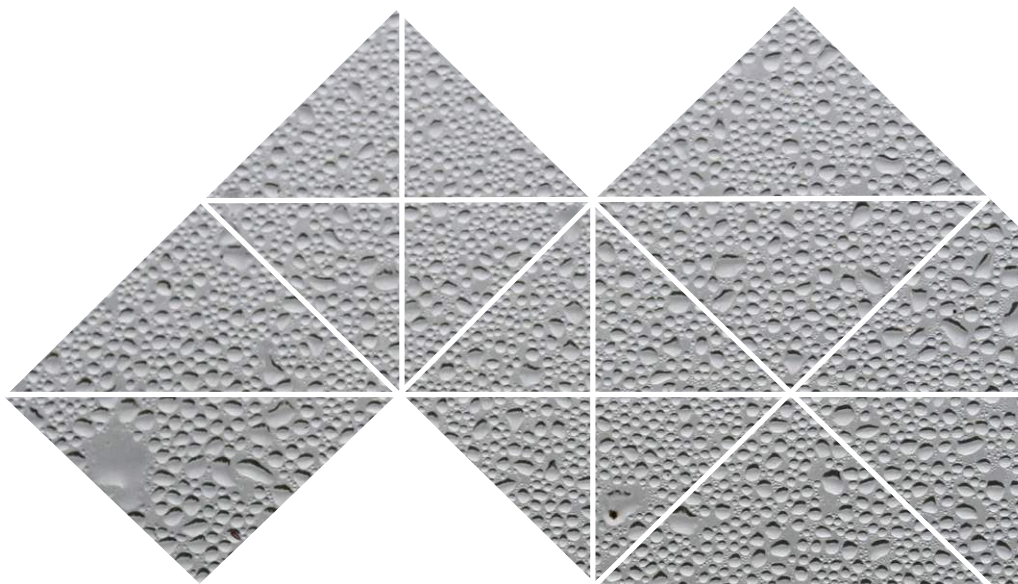


## CLIMATE CONTROL COOLING FOR ENCLOSURES



CABLE GLANDS FOR ELECTRICAL ENCLOSURES





Paso del Prao, 6. 01320 Oyón (Álava). Spain  
P. +34 945 601 381  
comercial@delvalle.es | [www.delvallebox.com](http://www.delvallebox.com)  
**Contact us, we will be available at any time**

